

DIV.	ASSEMBLY NUMBER	CD	REV.	DWG.	DESCRIPTION	MC	STATUS	STATUS DATE	FILE DATE					
0500	43000100	8	DG	N	1950 TLA SYSTEM LOGIC	N	REL	08-29-84	1950 09-10-84					
Find no	LI	PART NUMBER	CD	M	QUANTITY	U/M	PART DESCRIPTION	MC	YLD	E.C. NO IN	E.C. NO. OUT	S/N	WK IN	WK OUT
010	01	401277901	5		1	PC	CABLING CASTING ASSY, CA001	D		44318			8030	
015	01	401278001	3		1	PC	CABLING CAGE ASSY, CA002	D		44318			8030	
020	01	43500011	2		1	PC	SYS LGC GP, JA, 43138201, PC	N		44078	44369		8006	8103
020	02	43500072	4		1	PC	SYS LGC GP, JA, 43138202, PC	N		44369	44448		8103	8130
020	03	401516401	7		1	PC	SYS LGC GP, JA, 43138203, PC	N		44448	55041		8130	8249
020	04	401516402	5		1	PC	SYS LGC GP, JA, 43138204, PC	N		55041			8249	
023	01	401642201	8		1	PC	SYS LGC GP, JA2, 401288301, PC	N		44516	44807		8207	8249
023	02	401642202	6		1	PC	SYS LGC GP, JA2, 401288302, PC	N		44807	55041		8249	8249
023	03	401642203	4		1	PC	SYS LGC GP, JA2, 401288303, PC	N		55041			8249	
030	01	43500012	0		1	PC	SYS. LOG GRP, JC, PC	N			3083			7944
030	02	43500032	8		1	PC	SYS LGC GP, JC, 43100302, PC	N		3083	3104		7944	7950
030	03	43500043	5		1	PC	SYS LGC GP, JC, 43100303, PC	N		3104	44075		7950	8006
030	04	43500052	6		1	PC	SYS LGC GP, JC, 43100304, PC	N		44075	44245		8006	8023
030	05	43500068	2		1	PC	SYS LGC GP, JC, 43100305, PC	N		44245	44546		8023	8147
031	01	400229701	0		1	PC	SYS LGC CP, JC, MULTI PN'S PC	D		44097	44192		8010	8023
031	02	401229702	6		1	PC	SYS LGC GP, JC, MULTI PN'S, PC	N		44192	44343		8023	8036
031	03	401229703	4		1	PC	SYS LGC GP, JC, MULTI PN'S, PC	N		44343	44546		8036	8147
031	04	401229704	2		1	PC	SYS LGC GP, JC, MULTI PN'S, PC	N		44546			8147	
032	01	401257101	6		1	PC	SYS LGC GP, JC, MULTI PN'S, PC	N		44160	44343		8029	8036
032	02	401257102	4		1	PC	SYS LGC GP, JC, MULTI PN'S, PC	N		44343	44375		8036	8036
032	03	401257103	2		1	PC	SYS LGC GP, JC, MULTI PN'S, PC	N		44375	44546		8036	8147
032	04	401257104	0		1	PC	SYS LGC GP, JC, MULTI PN'S, PC	N		44546			8147	
035	01	401566401	6		1	PC	SYS LGC GP, UC, 401912201, PC	N		44446	56277		8132	8133
035	02	401566402	4		1	PC	SYS LGC GP, UC, MULTI PN, PC	N		56277	56299		8133	8150
035	03	401566403	2		1	PC	SYS LGC GP, UC, MULTI PN, PC	N		56299	44737		8150	8232
035	04	401566404	0		1	PC	SYS LGC GP, UC, MULTI PN, PC	N		44737	44901		8232	8309
035	05	401566405	7		1	PC	SYS LGC GP, UC, MULTI PN, PC	N		44901			8309	
036	01	401574001	4		1	PC	SYS LGC GP, UC, 401573201, PC	N		44463	44737		8136	8232
036	02	401574002	2		1	PC	SYS LGC GP, UC, 401573202, PC	N		44737			8232	
040	01	43500013	8		1	PC	SYS LGC GP, JD, 43102201, PC	N			3075			7942
040	02	43500035	1		1	PC	SYS LGC GP, JD, 43102202, PC	N		3075	3091		7942	7950

DIV.	ASSEMBLY NUMBER	CD	REV.	DWG.	DESCRIPTION	MC	STATUS	STATUS DATE	FILE DATE					
0500	43000100	8	DG	N	1950 TLA SYSTEM LOGIC	N	REL	08-29-84	1950	09-10-84				
T Find no	LI	PART NUMBER	CD	M	QUANTITY	U/M	PART DESCRIPTION	MC	YLD	E.C. NO IN	E.C. NO. OUT	S/N	WK IN	WK OUT
040	03	401223801	2		1	PC	SYS LGC GP, HD, MULTI PN'S	N		44089	44159		7950	8011
040	04	401223802	0		1	PC	SYS LGC GP, HD, PC, MULTI PN'S	N		44159	44217		8011	8026
040	05	401223803	8		1	PC	SYS LGC GP, HD, PC, MULTI PN'S	N		44217	44308		8026	8029
040	06	401223804	6		1	PC	SYS LGC GP, HD, PC, MULTI PN'S	N		44308	44409		8029	8103
040	07	401223805	3		1	PC	SYS LGC GP, HD, PC, MULTI PN'S	N		44409	44538		8103	8146
040	08	401223806	1		1	PC	SYS LGC GP, HD, PC MULTI PN'S	N		44538	44716		8146	8204
040	09	401223807	9		1	PC	SYS LGC GP, HD, PC, MULTI PN'S	N		44716	54966		8204	8419
040	10	401223808	7		1	PC	SYS LGC GP, HD, PC, MULTI PN'S	N		54966			8419	
041	01	401534701	8		1	PC	SYS LGC GP, HD, PC, MULTI PN'S	N		44284	44538		8107	8146
041	02	401534702	6		1	PC	SYS LGC GP, HD, PC, MULTI PN'S	N		44538	54966		8146	8419
041	03	401534703	4		1	PC	SYS LGC GP, HD, PC, MULTI/PN'S	N		54966			8419	
050	01	43500046	8		1	PC	SYS LGC GP, JE, 43116302, PC	N		44071			8004	
051	01	43500077	3		1	PC	SYS LGC GP, JE, 43116402, PC	N		44184			8101	
060	01	43500023	7		1	PC	SYS LOG GRP, JF, PC	N			3087			7939
060	02	43500031	0		1	PC	SYS LGC GP, JF, 43113302, PC	N		3087	44066		7939	8004
060	03	43500049	2		1	PC	SYS LGC GP JF 43113303 PC FUO	N		44066			8004	
061	01	401256001	9		1	PC	SYS LGC GP, JF401224201, PC	N		44098			8023	
070	01	43500014	6		1	PC	SYS LOG GRP, JH, PC	N			3085			7939
070	02	43500028	6		1	PC	SYS LGC GP, JH, 43103301, PC	N		3085	3085		7939	7939
070	03	43500037	7		1	PC	SYS LGC GP 43103302, JH PC	N		3085	44069		7939	8016
070	04	43500056	7		1	PC	SYS LGC GP, 43103303, JH, PC	N		44069	44202		8016	8016
070	05	43500059	1		1	PC	SYS LGC GP, JH, 43103304, PC	N		44202			8016	
071	01	401275601	3		1	PC	SYS LGC GP, JH, 401226201, PC	N		44099	44387		8030	8151
071	02	401275602	1		1	PC	SYS LGC GP, JH 401226202, PC	N		44387	44686		8151	8244
071	03	401275603	9		1	PC	SYS LGC GP, JH, 401226203, PC	N		44686	44828		8244	8244
071	04	401275604	7		1	PC	SYS LGC GP, JH, 401226204, PC	N		44828			8244	
072	01	401662001	7		1	PC	SYS LGC GP, JH, 401689201, PC	N		54517	44828		8243	8243
072	02	401662002	5		1	PC	SYS LGC GP, JH, 401689202, PC	N		44828			8243	
080	01	43500015	3		1	PC	SYS LOG GRP, JJ, PC	N			3088			7939
080	02	43500030	2		1	PC	SYS LGC GP, JJ 43104302, PC	N		3088	3095		7939	7944
080	03	43500039	3		1	PC	SYS LGC GP, JJ 43104303, PC	N		3095	44178		7944	8008

ASSEMBLY PARTS LIST
BUILD ARC DOC

PRINT DATE	PAGE	E.C. NO.
09-11-84	3	49746

TECHNOLOGY CORP.

DIV.	ASSEMBLY NUMBER		CD	REV.	DWG.	DESCRIPTION				MC	STATUS	STATUS DATE		FILE DATE			
0500	43000100		8	DG	N	1950 TLA SYSTEM LOGIC				N	REL	08-29-84		1950 09-10-84			
T Find no	LI	PART NUMBER	CD	M	QUANTITY	U/M	PART DESCRIPTION				MC	YLD	E.C. NO. IN	E.C. NO. OUT	S/N	WK IN	WK OUT
080	04	43500057	5		1	PC	SYS LGC GP, JJ, 43104304, PC				N		44178	44087		8008	8020
080	05	43500061	7		1	PC	SYS LGC GP, JJ, 43104305, PC				N		44087	44352		8020	8039
080	06	43500071	6		1	PC	SYS LGC GP, JJ, 43104306, PC				N		44352			8039	8139
080	07	401594901	1		1	PC	SYS LGC GP, JJ, 43104307, PC				N					8139	
085	01	401295701	7		1	PC	SYS LGC GP, JJ2, 401276301, PC				N		44352	44393		8039	8107
085	02	401295702	5		1	PC	SYS LGC GP, JJ2, 401276302, PC				N		44393	44811		8107	8303
085	03	401295703	3		1	PC	SYS LGC GP, JJ2, 401276303, PC				N		44811	49256		8303	8342
085	04	401295704	1		1	PC	SYS LGC GP, JJ2, 401276304, PC				N		49256			8342	
087	01	402502001	9		1	PC	SYS LGC GP, JJ2, 401276403, PC				N		44732	49086		8409	8409
087	02	402502002	7		1	PC	SYS LG GP JJ2 401276404 PC				N		49086	49297		8409	8409
090	01	43500016	1		1	PC	SYS LOG GRP, JK, PC				N			3067			7925
090	02	43500026	0		1	PC	SYS LGC GP, JK, 43105301, PC				N		3067	3089		7925	7943
090	03	43500038	5		1	PC	SYS LGC GP, JK, 43105302, PC				N		3089	44056		7943	7950
090	04	43500051	8		1	PC	SYS LGC GP, JK, 43105303, PC				N		44056	44212		7950	8022
090	05	43500064	1		1	PC	SYS LGC GP, JK, 43105304, PC				N		44212	44246		8022	8022
090	06	43500069	0		1	PC	SYS LGC GP, JK, 43105305, PC				N		44246	44346		8022	8044
090	07	43500073	2		1	PC	SYS LGC GP, JK, 43105306, PC				N		44346	44432		8044	8122
090	08	401552301	4		1	PC	SYS LGC GP, JK, 43105307, PC				N		44432	44548		8122	8124
090	09	401552302	2		1	PC	SYS LGC GP, JK, 43105308, PC				N		44548	44638		8124	8209
090	10	401552303	0		1	PC	SYS LGC GP, JK, 43105309, PC				N		44638	44638		8209	8209
090	11	401552302	2		1	PC	SYS LGC GP, JK, 43105308, PC				N		44638	44638		8209	8211
090	12	401552303	0		1	PC	SYS LGC GP, JK, 43105309, PC				N		44638	44759		8211	8235
090	13	401552304	8		1	PC	SYS LGC GP, JK, 43105310, PC				N		44759	44815		8235	8304
090	14	401552305	5		1	PC	SYS LGC GP, JK, 43105311, PC				N		44815	58284		8304	8439
090	15	401552306	3		1	PC	SYS LGC GP, JK, 43105312, PC				N		58284			8443	
091	01	43500048	4		1	PC	SYS LGC GP, JK, 43105403, PC				N		44136	44212		8024	8024
091	02	43500065	8		1	PC	SYS LGC GP, JK, 43105404, PC				N		44212	44246		8024	8024
091	03	43500070	8		1	PC	SYS LGC GP, JK, 43105405, PC				N		44246	44346		8024	8044
091	04	43500074	0		1	PC	SYS LGC GP, JK, 43105406, PC				N		44346	44432		8044	8122
091	05	401550101	0		1	PC	SYS LOGIC6P, JK, 43105407, PC				N		44432	44548		8122	8124
091	06	401550102	8		1	PC	SYS LGC GP, JK, 401595201, PC				N		44548	44638		8124	8209
091	07	401550103	6		1	PC	SYS LGC GP, JK, 401595202				N		44638	44638		8209	8209
091	08	401550102	8		1	PC	SYS LGC GP, JK, 401595201, PC				N		44638	44638		8209	8211
091	09	401550103	6		1	PC	SYS LGC GP, JK, 401595202				N		44638	44759		8211	8235
091	10	401550104	4		1	PC	SYS LGC GP, JK, 401595203, PC				N		44759	44815		8235	8304
091	11	401550105	1		1	PC	SYS LGC GP, JK, MULTI P/NS, PC				N		44815	58284		8304	8431

ASSEMBLY PARTS LIST
BUILD ARC DOC

TECHNOLOGY CORP.

PRINT DATE	PAGE	E.C. NO.
09-11-84	4	49746

DIV.	ASSEMBLY NUMBER	CD	REV.	DWG.	DESCRIPTION	MC	STATUS	STATUS DATE	FILE DATE					
0500	43000100	8	DG	N	1950 TLA SYSTEM LOGIC	N	REL	08-29-84	1950 09-10-84					
T Find no	LI	PART NUMBER	CD	M	QUANTITY	U/M	PART DESCRIPTION	MC	YLD	E.C. NO. IN	E.C. NO. OUT	S/N	WK IN	WK OUT
091	12	401550106	9		1	PC	SYS LGC GP, JK, MULTI P/NS, PC	N		58284	49616		8431	8431
091	13	401550107	7		1	PC	SYS LGC GP, JK, MULTI P/NS PC	N		49616			8431	
095	01	401550108	5		1	PC	SYS LGC GP, JK, 403465203, PC	N		49746			8436	
100	01	43500017	9		1	PC	SYS LOG GRP, JL	N			3068			7925
100	02	43500027	8		1	PC	SYS LGC GP, JL 43106301, PC	N		3068	3082		7925	7940
100	03	43500034	4		1	PC	SYS LGC GP, JL 43106302, PC	N		3082	3097		7940	7943
100	04	43500041	9		1	PC	SYS LGC GP, JL43106303, PC	N		44067	44221		8014	8020
100	05	43500062	5		1	PC	SYS LGC GP, JL 43106304 PC	N		44221	44409		8020	8103
100	06	43500079	9		1	PC	SYS LGC GP, JL, 43106305, PC	N		44409	44274		8103	8130
100	07	43500082	3		1	PC	SYS LGC GP, JL, 43106306, PC	N		44274			8130	
101	01	43500044	3		1	PC	SYS LGC GP, JL43106403, PC	N		44067	44221		8004	8020
101	02	43500063	3		1	PC	SYS LGC GP, JL, 43106404, PC	N		44221	44409		8020	8103
101	03	43500080	7		1	PC	SYS LGC GP, JL, 43106405, PC	N		44409	44274		8103	8130
101	04	401563701	2		1	PC	SYS LGC GP, JL, 43106406, PC	N		44274			8130	
102	01	401576101	0		1	PC	SYS LGC GP, JL, 43106506, PC	N		44274			8130	
110	01	43500018	7		1	PC	SYS LOG GRP JP PC	N			3084			7938
110	02	43500033	6		1	PC	SYS LGC GP, 43107302, JP, PC	N		3084	3094		7938	7944
110	03	43500040	1		1	PC	SYS LGC GP, JP 43107303, PC	N		3094	44076		7944	8007
110	04	43500047	6		1	PC	SYS LGC GP, JP, 43107304, PC	N		44076	44113		8007	8015
110	05	43500058	3		1	PC	SYS LGC GP, JP, 43107305, PC	N		44113	44245		8015	8023
110	06	43500067	4		1	PC	SYS LGC GP, JP, 43107306, PC	N		44245	44290		8023	8108
110	07	43500078	1		1	PC	SYS LGC GP, JP 43107307, PC	N		44290	44387		8108	8151
110	08	43500083	1		1	PC	SYS LGC GP, JP, 43107308, PC	N		44387	44685		8151	8223
110	09	401688301	1		1	PC	SYS LGC GP JP 43107309, PC	N		44685	44804		8223	8241
110	10	401688302	9		1	PC	SYS LGC GP, JP, 43107310, PC	N		44804			8241	
115	01	401690501	2		1	PC	SYS LGC GP, JP, 43107409, PC	N		44669	49143		8248	8315
115	02	401690502	0		1	PC	SYS LGC GP, JP, 43107410, PC	N		49143			8315	
120	01	43500019	5		1	PC	SYS LOG GRP, JS, PC	N			3086			7938
120	02	43500029	4		1	PC	SYS LGC GRP, 43109302 JS, PC	N		44070	44221		7951	8020
120	03	43500053	4		1	PC	SYS, LGC, GP, JS, 43109303 PC.	N		44221			8020	
121	01	401273201	4		1	PC	SYS LGC GP, JS, 401227203, PC	N		44101			8026	
122	01	401557001	5		1	PC	SYS LGC GP JS 401227303, PC	N		44639			8204	

TECHNOLOGY CORP.

DIV.	ASSEMBLY NUMBER	CD	REV.	DWG	DESCRIPTION	MC	STATUS	STATUS DATE	FILE DATE					
0500	43000100	8	DG	N	1950 TLA SYSTEM LOGIC	N	REL	08-29-84	1950 09-10-84					
TFind no	LI	PART NUMBER	CD	M	QUANTITY	U/M	PART DESCRIPTION	MC	YLD	E.C. NO IN	E.C. NO. OUT	S/N	WK IN	WK OUT
130	01	43500021	1		1	PC	SYS LOG GRP, JV, PC	N			3056			7924
130	02	43500042	7		1	PC	SYS LGC GRP, JV, 43112303 PC	N		3098	3103		7944	7949
130	03	43500045	0		1	PC	SYS LGC GP, JV, 43112304, PC	N		3103	44073		7949	8006
130	04	43500055	9		1	PC	SYS LGC GP, JV, 43112305, PC	N		44073	44213		8006	8027
130	05	43500060	9		1	PC	SYS LGC GP, JV, 43112306, PC	N		44213	44411		8027	8050
130	06	43500075	7		1	PC	SYS LGC GP, JV, 43112307, PC	N		44411	44265		8050	8118
130	07	43500081	5		1	PC	SYS LGC GP, JV, 43112308, PC	N		44265	44553		8118	8123
130	08	401626201	8		1	PC	SYS LGC GP, JV, 43112309, PC	N		44553	54721		8123	8234
130	09	401626202	6		1	PC	SYS LGC GP, JV, 43112310, PC	N		54721	44873		8234	8302
130	10	401626203	4		1	PC	SYS LGC GP, JV, 43112310, PC	N		44873			8302	
140	01	43500025	2		1	PC	SYS LGC GP, JW, 43111202, PC	N		44128	44373		8007	8103
140	02	43500076	5		1	PC	SYS LGC, GP, JW, 43111203, PC	N		44373			8103	
143	01	401670901	8		1	PC	SYS LGC GP, JW2, 401649201, PC	N		44622			8213	
150	01	401259901	7		1	PC	SYS LGC GP, HX, 401258201, PC	N		44364	54721		8050	8234
150	02	401259902	5		1	PC	SYS LGC GP, HX, 401258202, PC	N		54721	55492		8234	8427
150	03	401259903	3		1	PC	SYS LGC GP, HX, 401258203, PC	N		55492			8427	
160	01	401503801	3		1	PC	WIRING DIAGRAM, RECTIFIER	D		44265	44572		8114	8133
160	02	401503802	1		1	PC	WIRING DIAGRAM, RECTIFIER	D		44572			8133	
161	01	401299401	0		1	PC	WIRING DIAGRAM, RECTIFIER, 60HZ	D		44364	54316		8050	8131
161	02	401299402	8		1	PC	WIRING DIAGRAM, RECTIFIER, 60HZ	D		54316	44537		8131	8132
161	03	401299403	6		1	PC	WIRING DIAGRAM RECT 60HZ	D		44537	44572		8132	8133
161	04	401299404	4		1	PC	WIRING DIAGRAM, RECTIFIER, 60HZ	D		44572	44805		8133	8236
161	05	402358801	7		1	PC	SYS LGC GP, PS, 401508103	N		44805			8236	
165	01	401299301	2		1	PC	WIRING DIAGRAM, RECTIFIER, 50HZ	D		44364	54316		8050	8131
165	02	401299302	0		1	PC	WIRING DIAGRAM, RECTIFIER, 50HZ	D		54316	54316		8131	8131
165	03	401299301	2		1	PC	WIRING DIAGRAM, RECTIFIER, 50HZ	D		54316	54316		8131	8138
165	04	401299302	0		1	PC	WIRING DIAGRAM, RECTIFIER, 50HZ	D		54316	44805		8138	8236
165	05	402358401	6		1	PC	SYS LGC GP, PS, 401508003	N		44805			8236	
166	01	402280701	2		1	PC	SYS LGC GP, PS, 401651301	N		44615	49060		8302	8305
166	02	402280702	0		1	PC	SYS LGC GP, PS, 401651302	N		49060	49088		8305	8347
166	03	402280703	8		1	PC	SYS LGC GP PS, 401651303	N		49088			8347	
170	01	401281301	2		1	PC	SYS LGC GP, EPO, 401270201, PC	N		44364	44854		8050	8307

Storage Technology Corporation

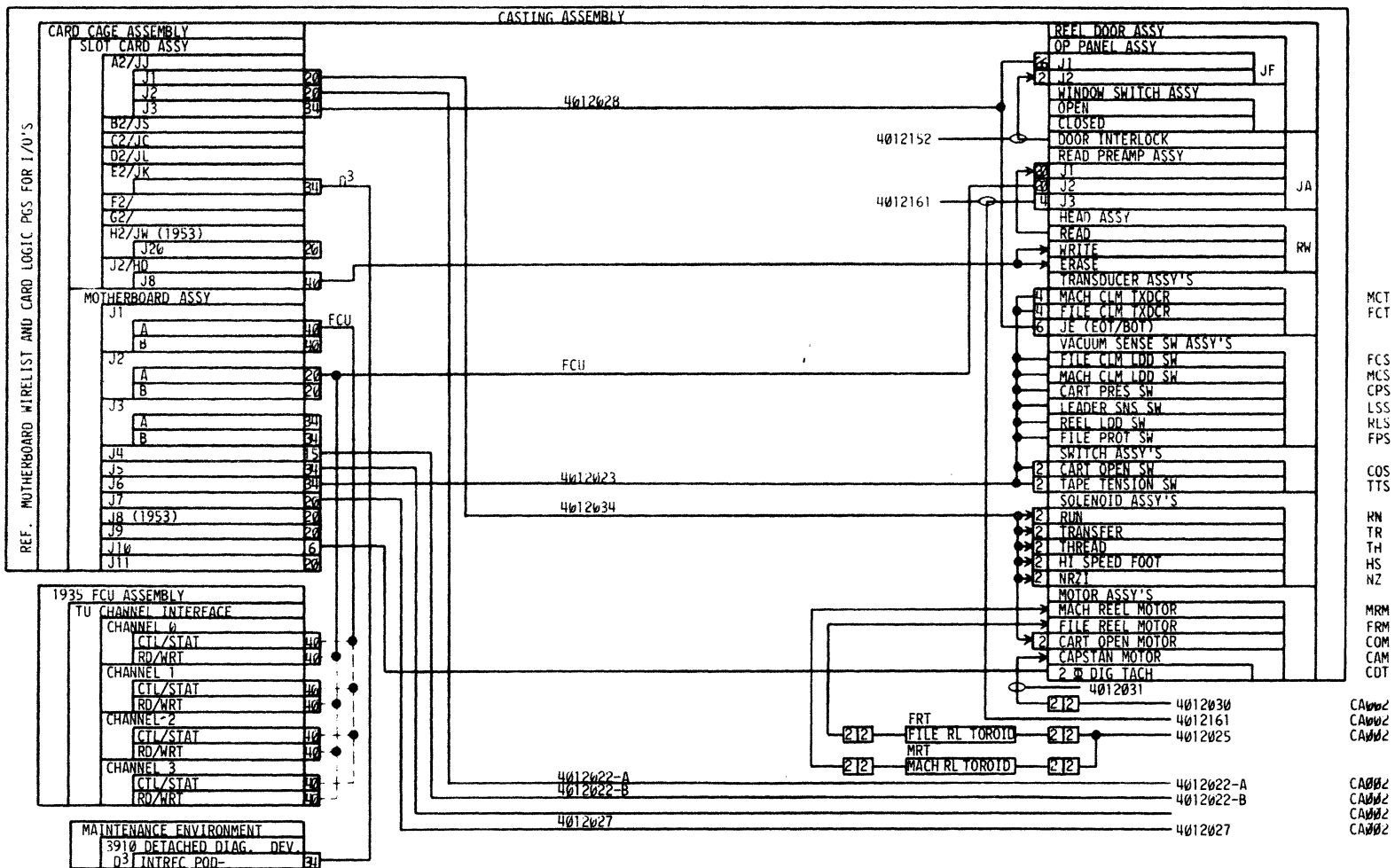
TECHNOLOGY CORP.

ASSEMBLY PARTS LIST
BUILD ARC DOC

PRINT DATE	PAGE	E.C. NO.
09-11-84	6	49746

DIV.	ASSEMBLY NUMBER	CD	REV.	DWG.	DESCRIPTION	MC	STATUS	STATUS DATE	FILE DATE				
0500	43000100	8	DG	N	1950 TLA SYSTEM LOGIC	N	REL	08-29-84	1950 09-10-84				
T Find no	LI	PART NUMBER	CD	QUANTITY	U/M	PART DESCRIPTION	MC	YLD	E.C. NO IN	E.C. NO. OUT	S/N	WK IN	WK OUT
170	02	401281302	0	1	PC	SYS LGC GP, EPO, MULTI PN, PC	N		44854			8307	
180	01	43500036	9	1	PC	SYS LGC GP, R/W HD, 43030500	N		44045			8008	
185	01	402531101	2	1	PC	SYS LGC GP, JA2, 402527201, PC	N		44818			8251	
						0165 TOTAL LINES							

1951 TAPE DRIVE CABLING



C
A
D
D
1

CABLING - CASTING ASSEMBLY

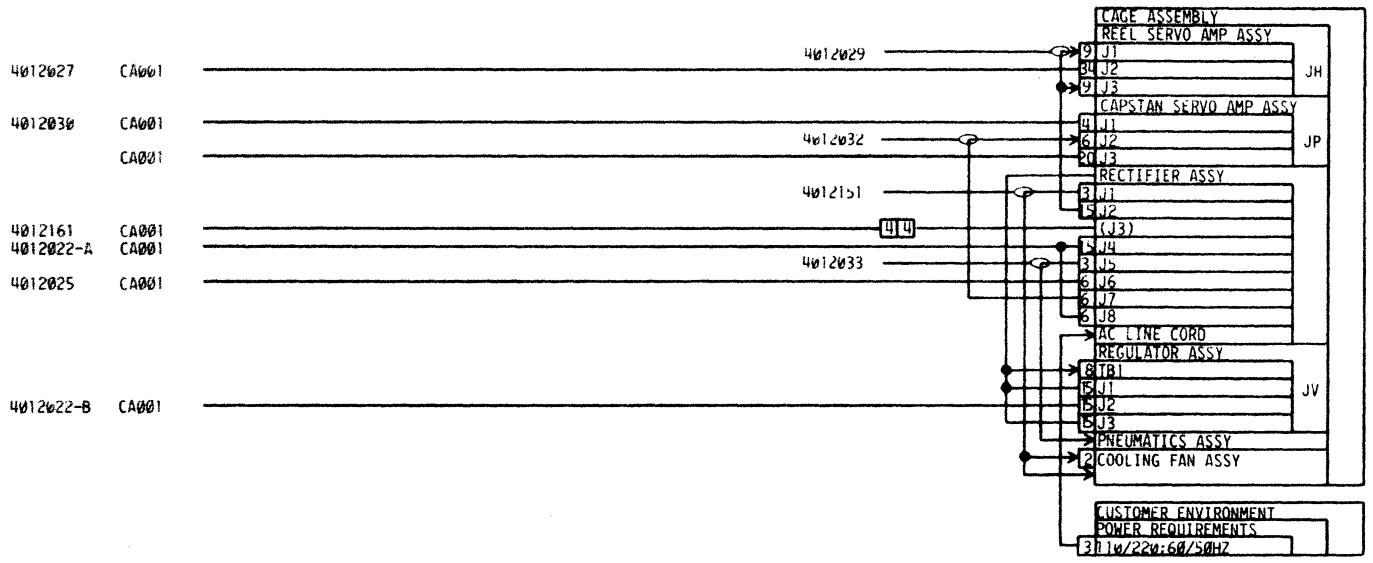
PRES. E.C. 44518
 PREV. E.C.
 DATE 6/12/80

MACH.
 VERS.
 GBL. ROT.

CD. LOC.
 GATE
 FRAME

CD. P.N.
 CD. TYPE
 PG. PN. 4012779-01-5

C
A
D
D
1

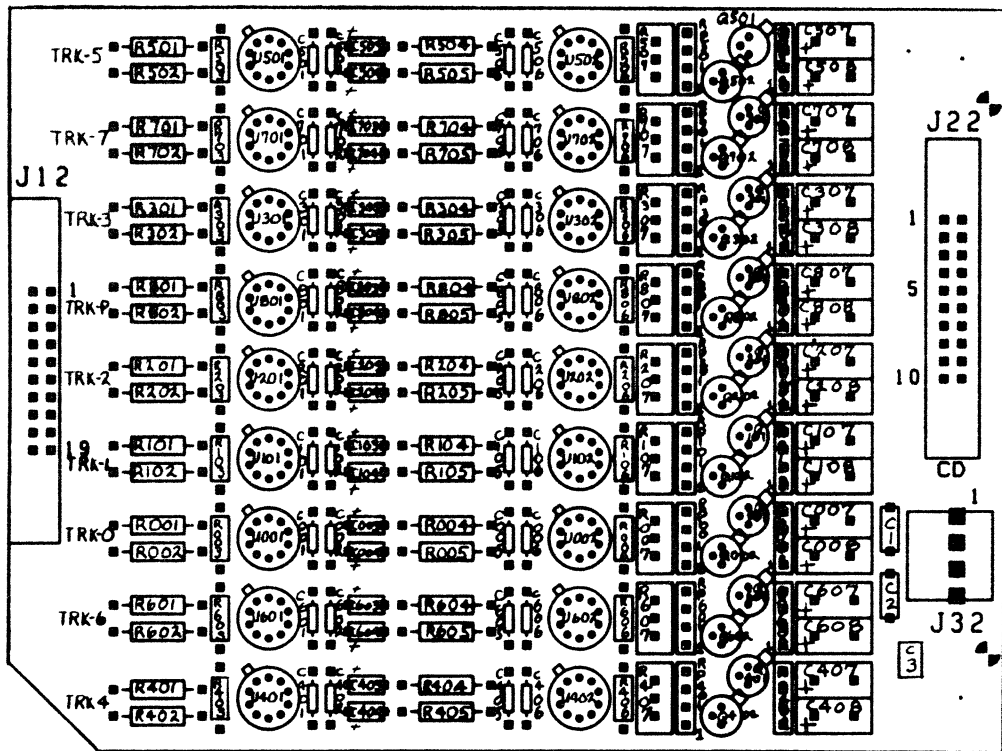


CA002

CABLING - CAGE ASSEMBLY

PRES. E.C. 44318 PREV. E.C. DATE 6/12/80	MACH. VERS. GBL. ROT.	CD. LOC. GATE FRAME	CD. P.N. CD. TYPE PG. P.N. 4012760-01-3
--	--------------------------	---------------------	--

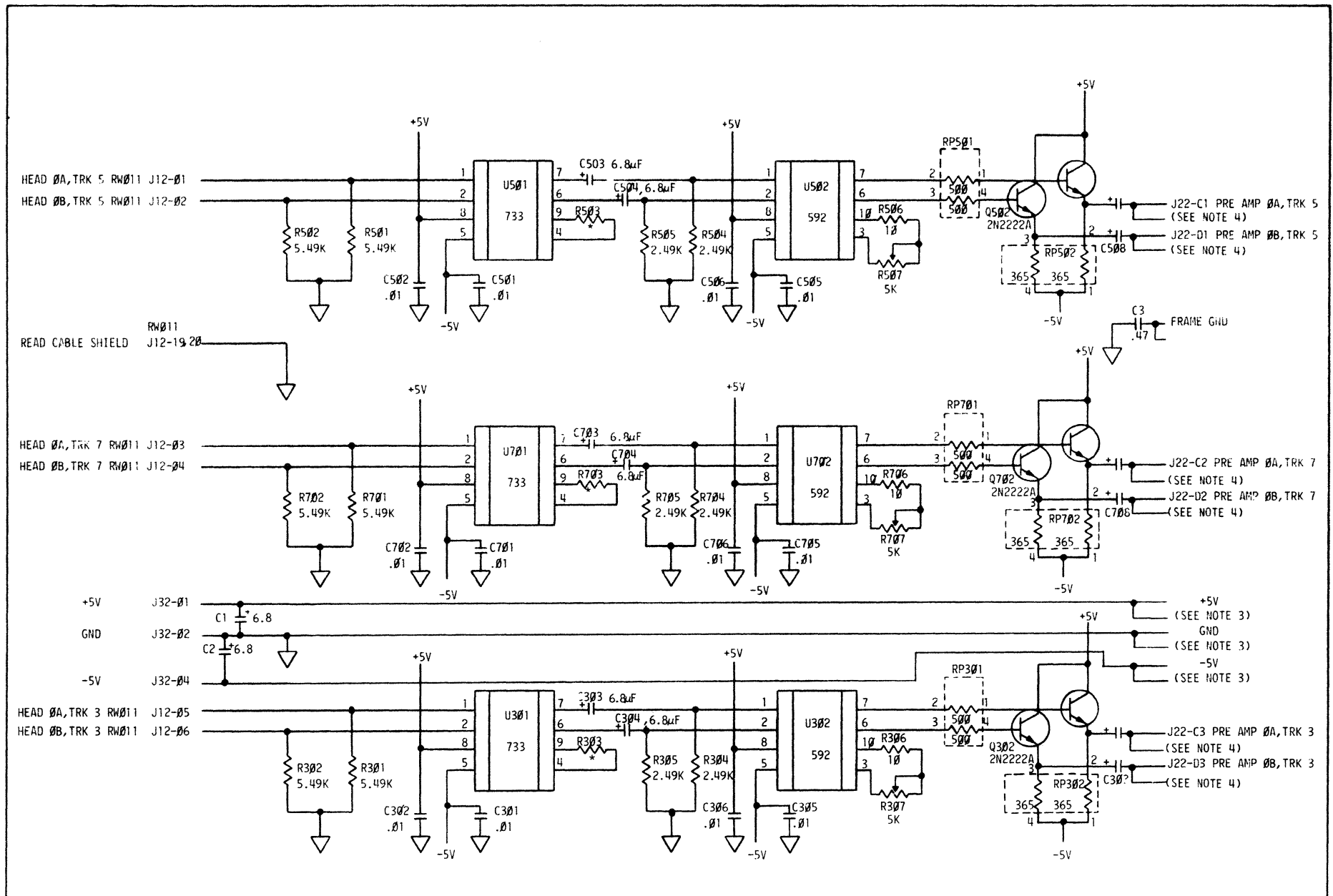
CA002



A
B
0
0
1

JA CARD, PREAMP			
PRES. E.C. 55041 PREV. E.C. 44448 DATE 7-28-62	MACH. 1950 VERS. GBL. ROT.	CD. LOC. CASTING, FRONT GATE FRAME	CD. P.N. 43138204-5 CD. TYPE JA PG. P.N. 4015165-02

A
B
0
0
1



JA CARD TRACKS 5, 7 & 3

* NOT INSTALLED
NOTES: UNLESS OTHERWISE SPECIFIED
1. ALL RESISTORS ARE 1/4W, 5% AND VALUES ARE IN OHMS.
2. ALL CAPACITORS ARE IN MICROFARADS.

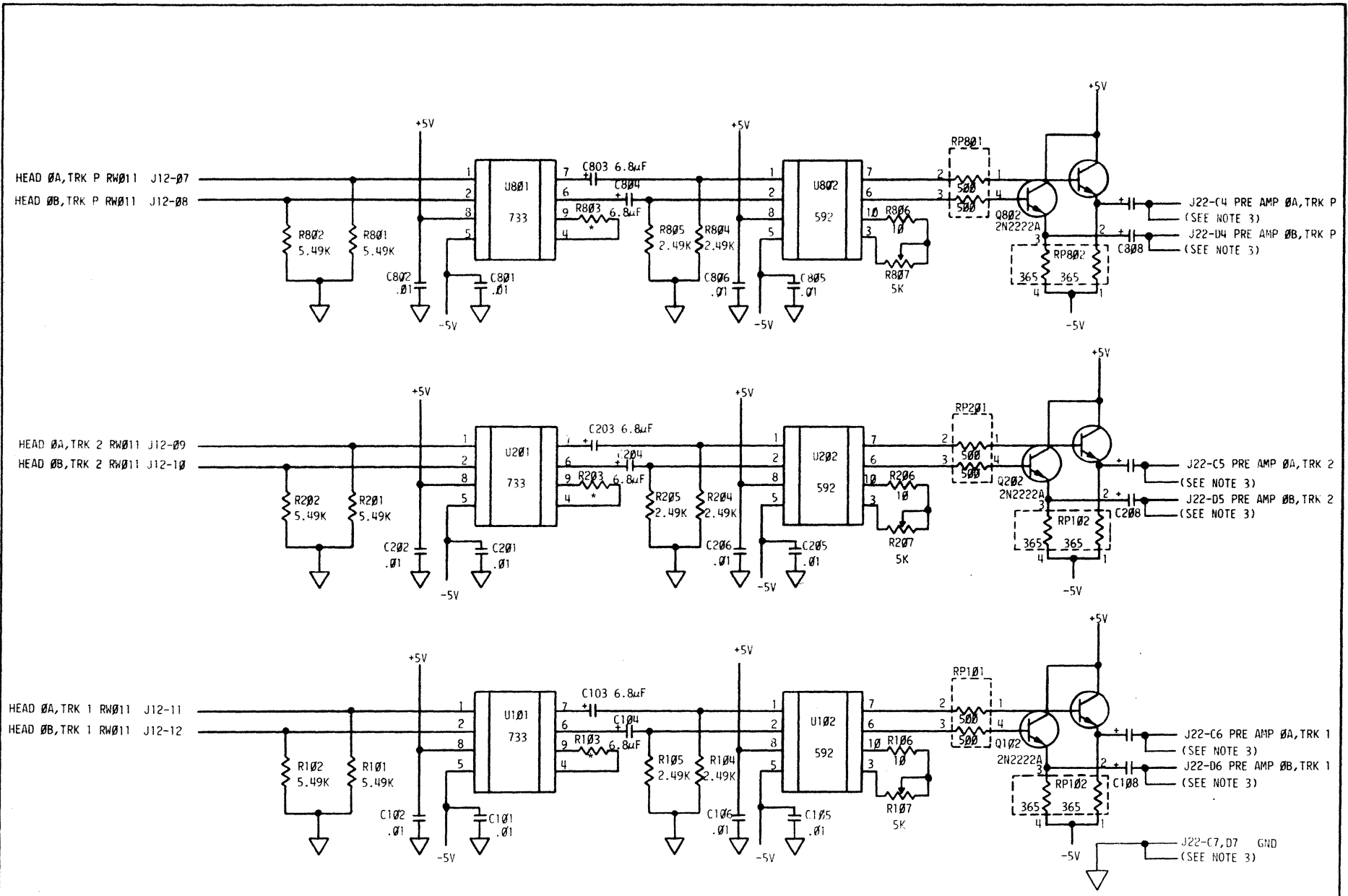
3. THESE LINES ARE CONNECTED TO INTERNAL POWER AND GROUND PLANES.
4. J22 CONNECTED TO MBO ON PE/GCR MACHINES.
J22 CONNECTED TO JW ON NR21 MACHINES.

PRE. E.C. 55041
PREV. E.C. 44810
DATE 9-27-62

MACH. 1950
VERS. 06L. ROT.

CD. LOC. CASTING, FRONT
GATE FRAME

CD. P.N. JA
CD. TYPE 401643-04
PG. P.N. 401643-04



*NOT INSTALLED

NOTES: UNLESS OTHERWISE SPECIFIED

1. RESISTORS ARE 1/4W, 5% AND VALUES ARE IN OHMS.
2. CAPACITORS ARE IN MICROFARADS.
3. J22 CONNECTED TO MBD ON PE/GCR MACHINES.
J22 CONNECTED TO JW ON NRZ1 MACHINES.

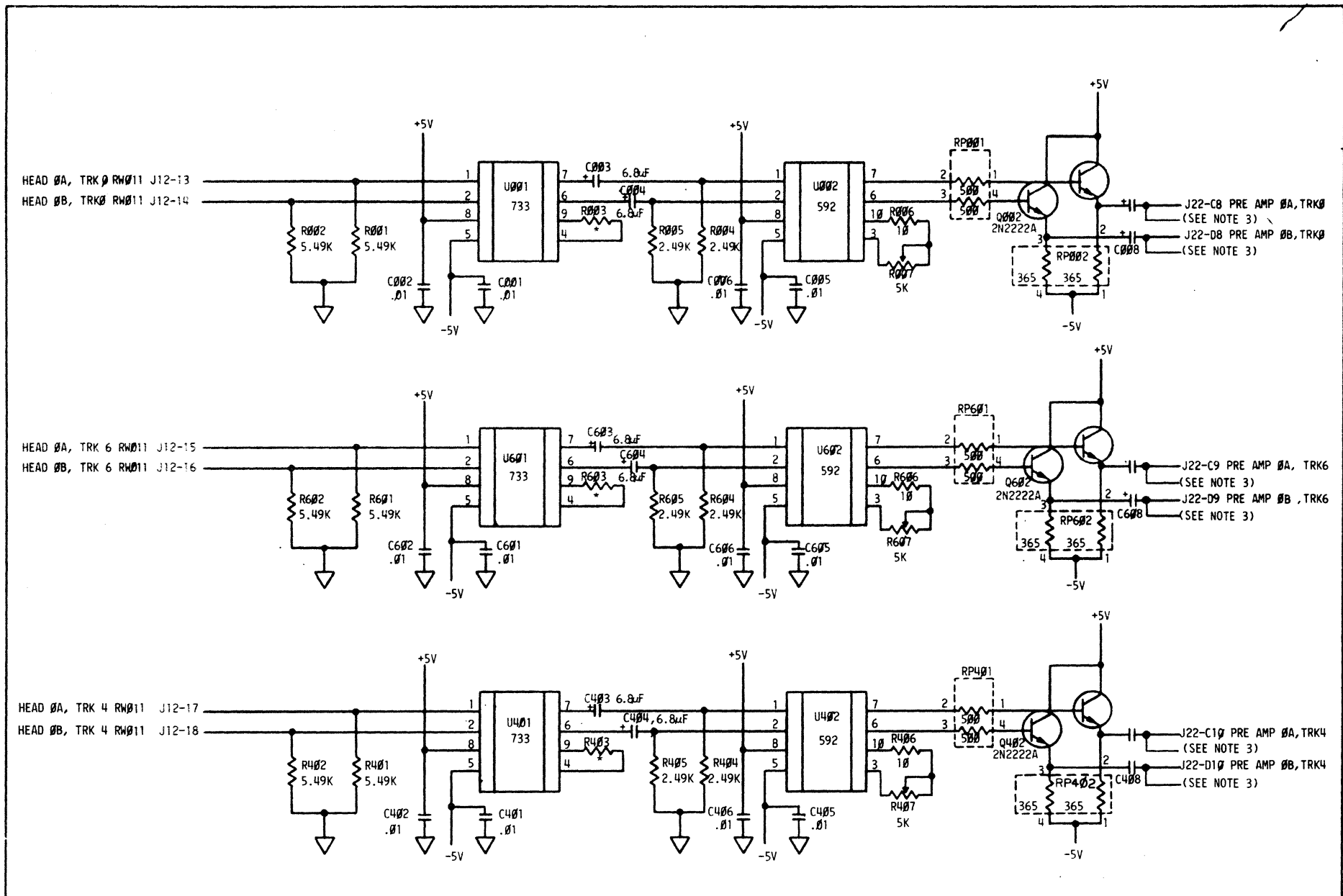
JA CARD TRACKS P, 2 & 1

PRES. E.C. 55041
PREV. E.C. 44810
DATE 9-29-82

MACH. 1950
VERS. GBL. ROT.

CD. LOC. CASTING, FRONT
GATE FRAME

CD. P.N. 1A
CD. TYPE
PG. P.N. 4016432-04



*NOT INSTALLED
 NOTES: UNLESS OTHERWISE SPECIFIED.
 1. RESISTORS ARE 1/4W 5% AND VALUES ARE IN OHMS.
 2. CAPACITORS ARE IN MICROFARADS.
 3. J22 CONNECTED TO MBC 14 PE/GCR MACHINES.
 J21 CONNECTED TO JW 14 NR21 MACHINES.

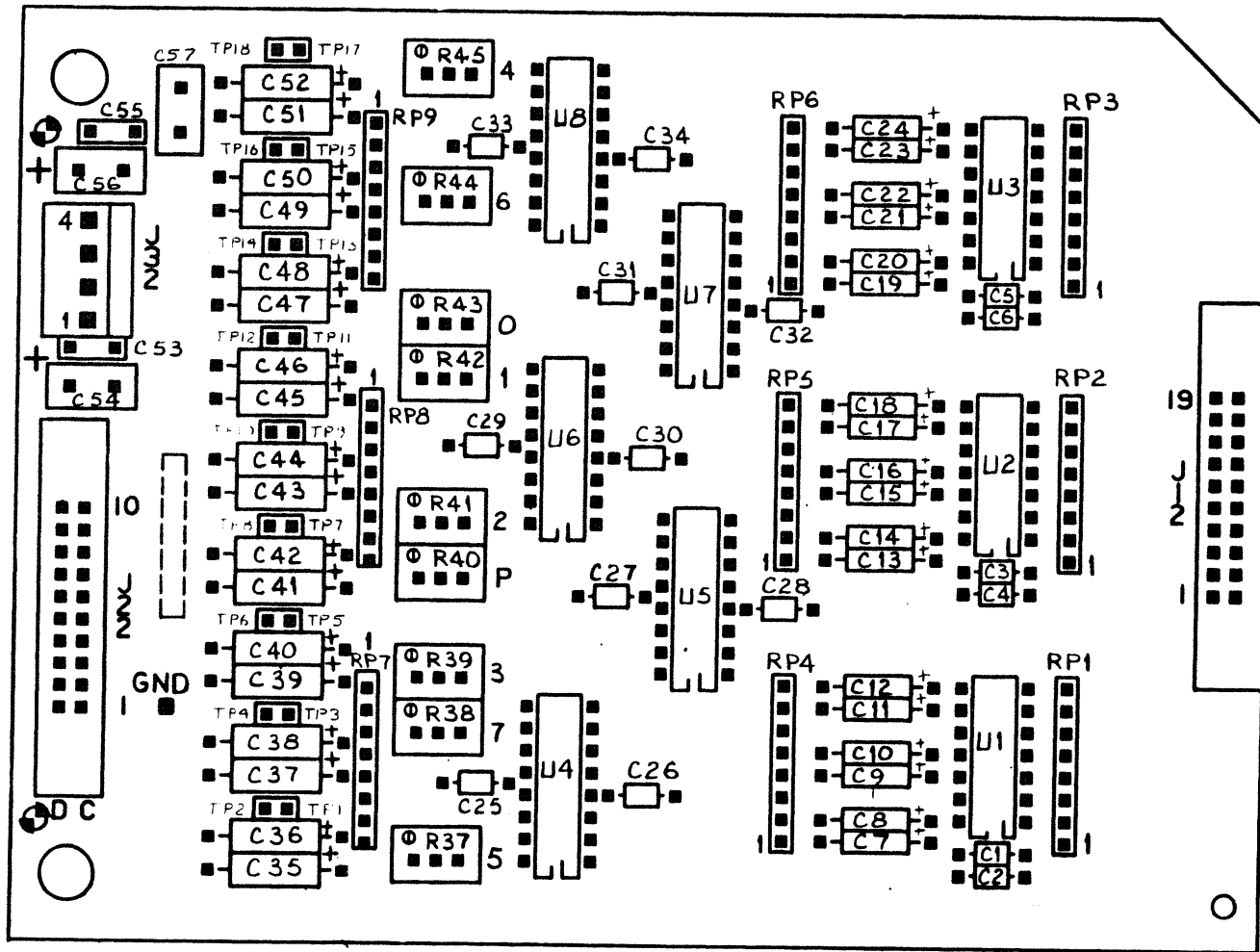
JA CARD TRACKS 0,6 & 4		CD. LOC. CASTING, FRONT GATE FRAME		CD. P.N. JA CD. TYPE PG. P.N. 4016433-04	
PRES. E.C. 55041 PREV. E.C. 44810 DATE 9-29-82	MACH. 1950 VERS. OBL. ROT.				

ASSEMBLY PARTS LIST

BUILD ARC D

PRINT DATE	PAGE	P.C. NO.
10-25-82	1	5041

DIV	ASSEMBLY NUMBER	CD	REV.	DWG.	DESCRIPTION	MC	STATUS	STATUS DATE	FILE DATE					
0500	401642203	4	E	N	SYS LGC GP, JA2, 401288303, PC	N	REL	09-23-82	1950 10-04-82					
T FIND NO	LI	PART NUMBER	CD	M	QUANTITY	U/M	PART DESCRIPTION	MC	YLD	E.C. NO IN	E.C. NO. OUT	S/N	WK IN	WK OUT
001	01	401642303	2		REF	PC	CD LGC, JA2, AB001, PC	D						
010	01	402274103	9		REF	PC	SYS LGC, JA010, PC	D						
020	01	402274203	7		REF	PC	SYS LGC, JA020, PC	D						
030	01	402274303	5		REF	PC	SYS LGC, JA030, PC	D						
031	01	402274402	5		REF	PC	SYS LGC, JA031, PC	D						
041	01	402274501	4		REF	PC	SYS LGC, JA041, PC	D						
500	01	401288303	1		REF	PC	CKT CD, JA2, PC ASSY	S						
							0007 TOTAL LINES							



A2 CARD, PREAMP

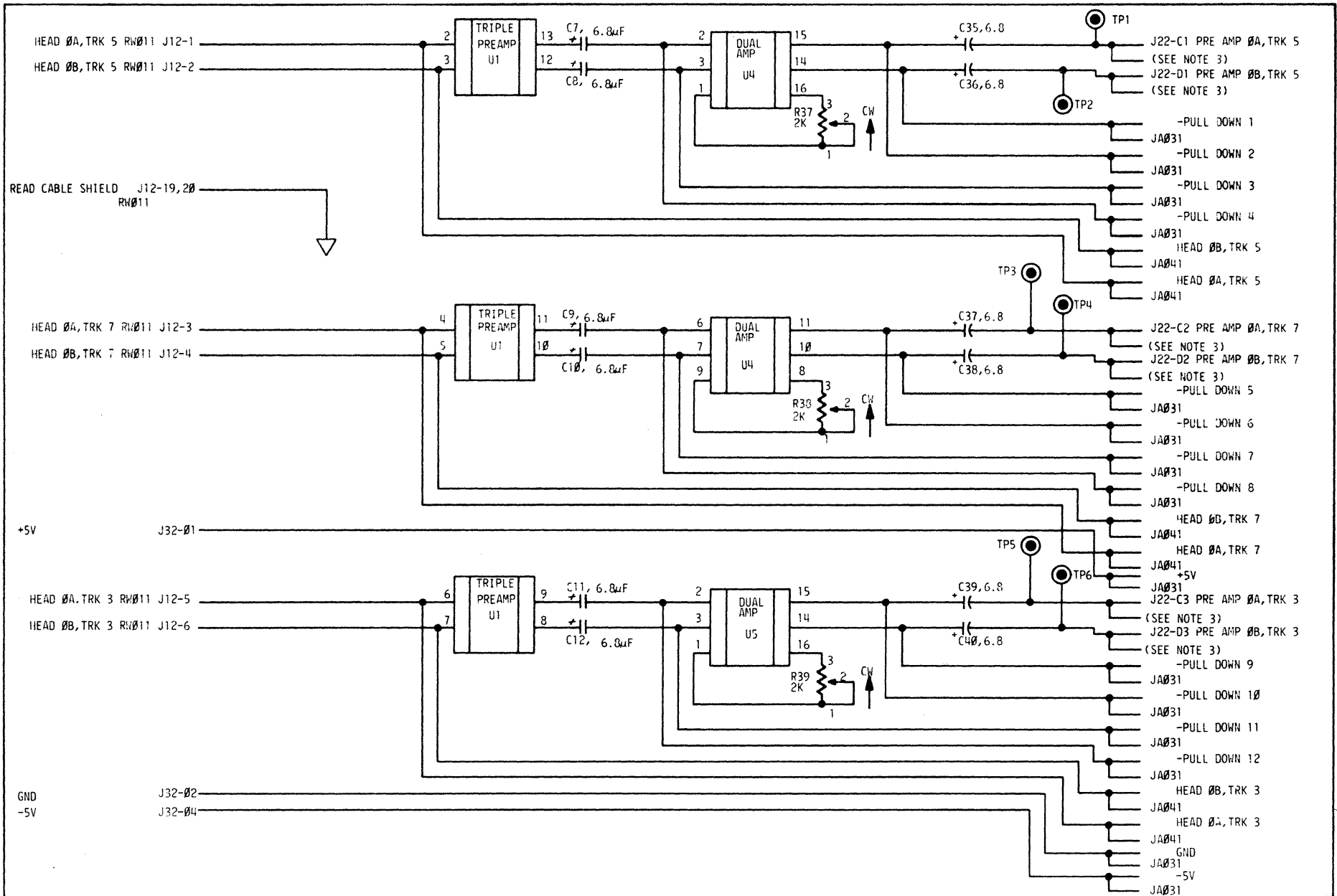
PRES. E.C. 55041
 PREV. E.C. 44-1
 DATE 7 30 82

MACH. VERS.
 GBL. ROT.

CD. LOC. CASTING, FRONT
 GATE FRAME

CD. P.N. 4012683-05
 CD. TYPE J52
 PG. P.N. 4016423-03

A
 B
 0
 1



NOTES: UNLESS OTHERWISE SPECIFIED

1. RESISTORS ARE 1/4W, 5% AND VALUES ARE IN OHMS.
2. ALL CAPACITORS ARE IN MICROFARADS.
3. J22 CONNECTED TO MBD ON PE/GCR MACHINES.
J22 CONNECTED TO JW ON NR21 MACHINES.

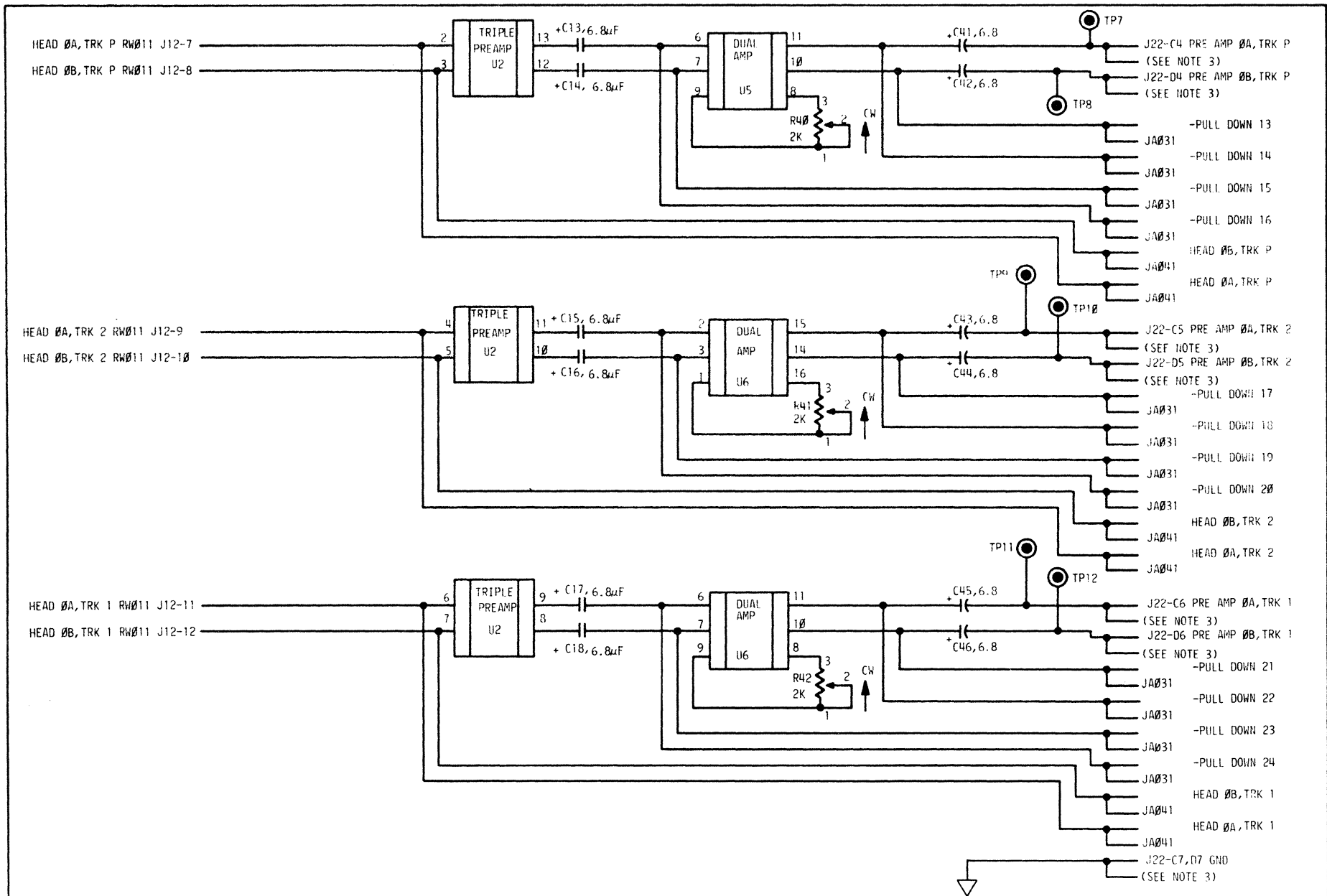
READ AMP, TRACKS 5, 7 & 3

PRES. E.C. 55041
PREV. E.C. 44810
DATE 4-29-82

MACH. 1950
VERS. GBL. ROT.

CD. LOC. CASTING, FRONT
GATE FRAME

CD. P.N. JA2
CD. TYPE
PG. RN. 4022741-03



NOTES: UNLESS OTHERWISE SPECIFIED

1. RESISTORS ARE 1/4W, 5% AND VALUES ARE IN OHMS.
2. ALL CAPACITORS ARE IN MICROFARADS.
3. J22 CONNECTED TO MBD ON PE/GCR MACHINES.
J22 CONNECTED TO JW ON HR21 MACHINES.

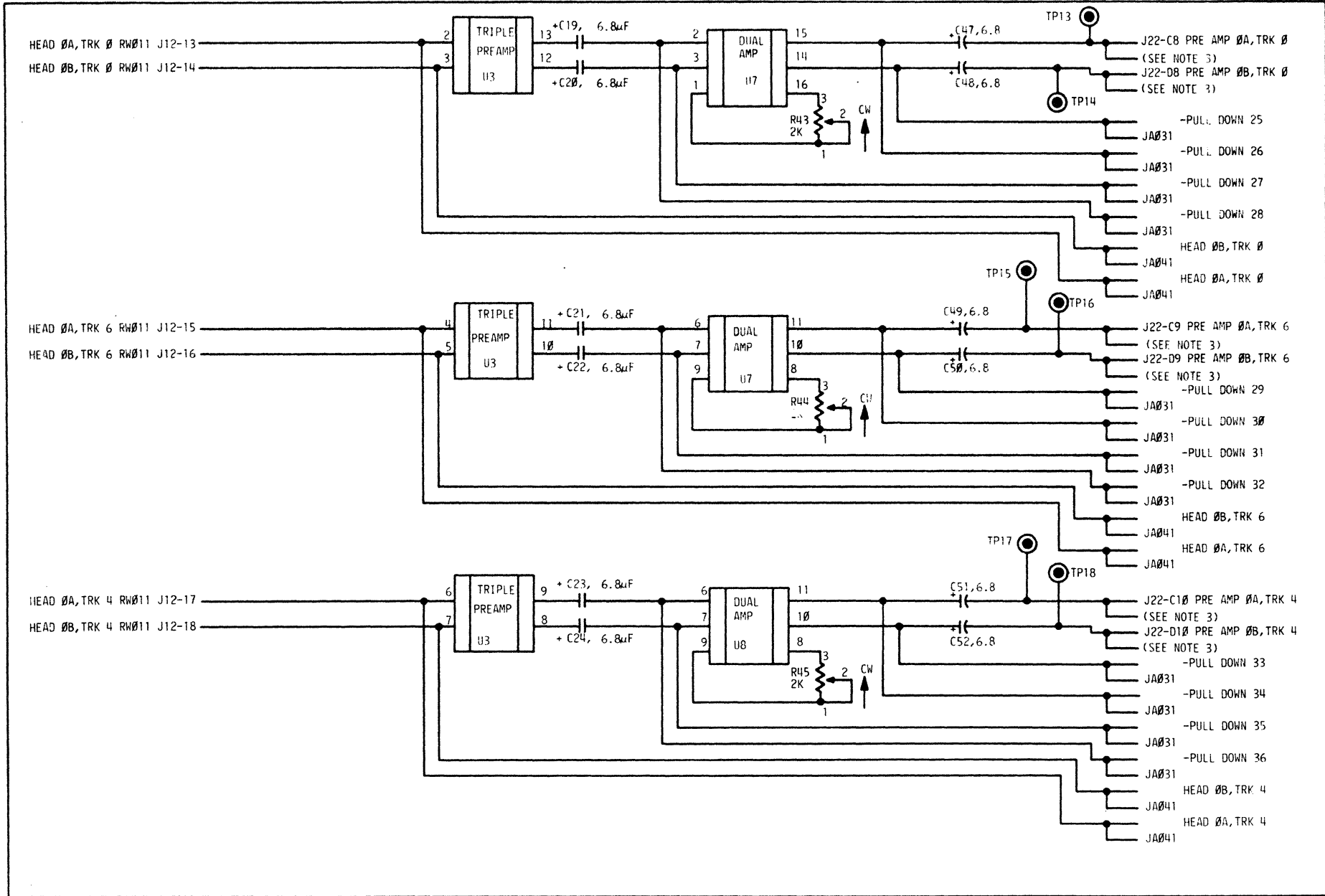
READ AMP, TRACKS P, 2 & 1

PREV. E.C. 55041
PREV. E.C. 44310
DATE 9-29-82

MACH. VERS. GBL. ROT.

CD. LOC. CASTING, FRONT
GATE FRAME

CD. P.N. JA2
CD. TYPE 4Ø22742-03
PG. P.N.



NOTES: UNLESS OTHERWISE SPECIFIED.

1. RESISTORS ARE 1/4W, 5% AND VALUES ARE IN OHMS.
2. ALL CAPACITORS ARE IN MICROFARADS.
3. J22 CONNECTED TO MBD ON PE/GCR MACHINES.
J22 CONNECTED TO JW ON NRZI MACHINES.

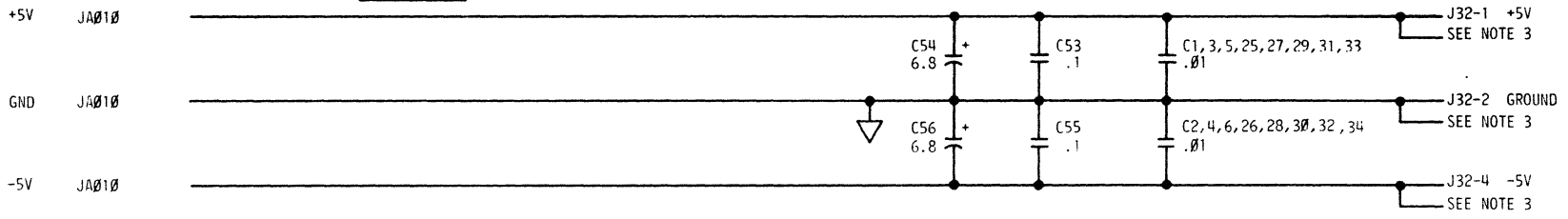
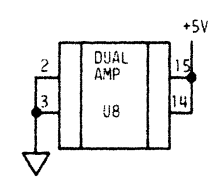
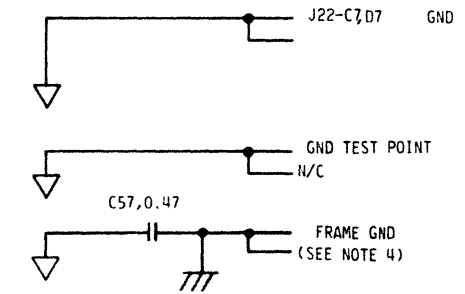
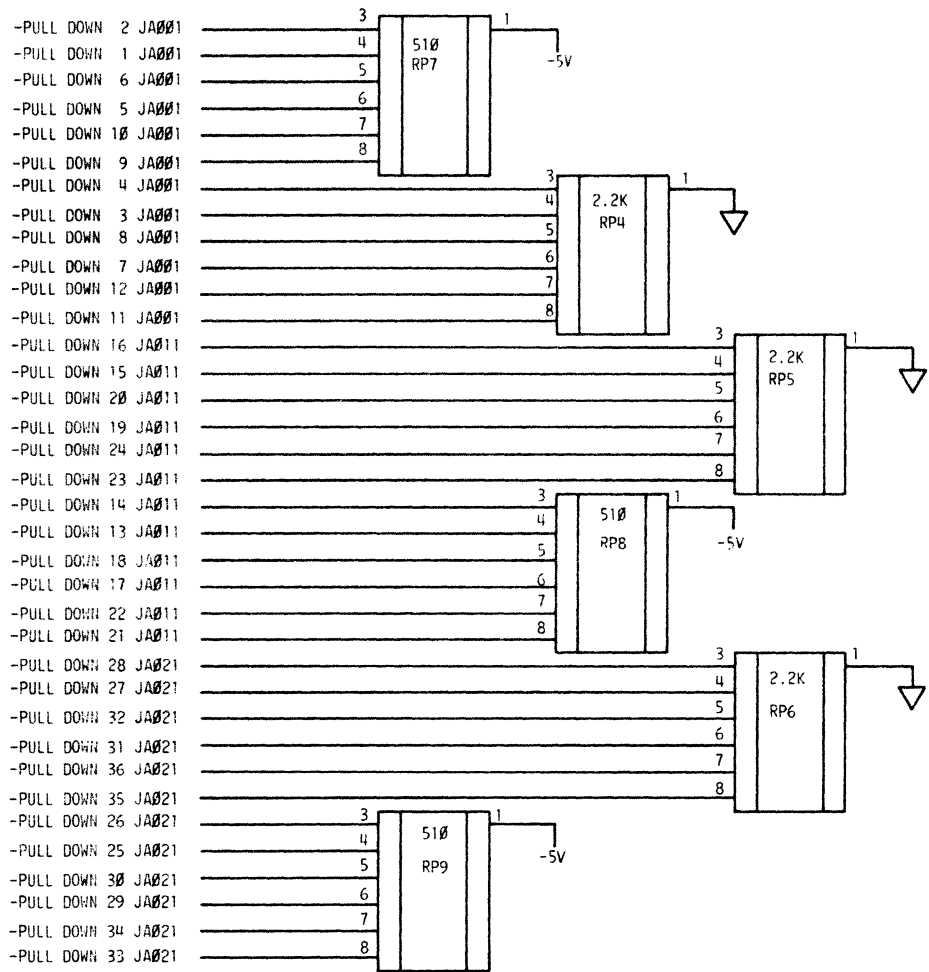
READ AMP, TRACKS 0, 6 & 4

PRES. E.C. 55041
PREV. E.C. 44810
DATE 9-29-82

MACH. VERS. GBL. ROT.

CD. LOC. CASTING, FRONT GATE FRAME

CD. P.N. JA2
CD. TYPE PG. PN. 4822743-03



NOTES: UNLESS OTHERWISE SPECIFIED

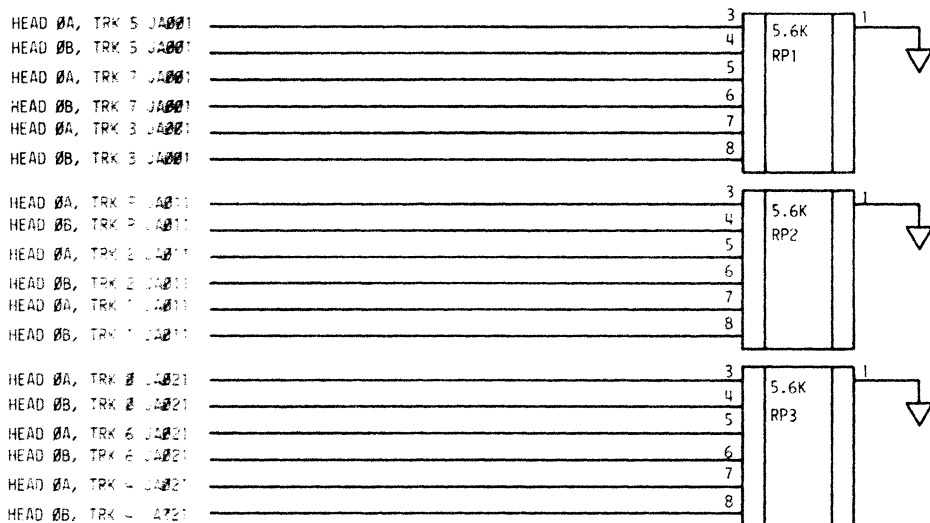
1. RESISTORS ARE 1/4W, 5% AND VALUES ARE IN OHMS.
2. ALL CAPACITORS ARE IN MICROFARADS.
3. THESE LINES ARE CONNECTED TO THE INTERNAL POWER OR GROUND PLANES.
4. GROUND PLANE OF CARD CONNECTED TO FRAME GROUND ON DECK VIA C57.

PULL-UPS, BY-PASS CAPS, & SPARE COMPONENTS		CD. LOC. CASTING, FRONT		CD. P.N. JA2	
PREV. E.C. 44757	DATE 9/82	MACH. VERS. GBL. ROT.	GATE FRAME	CD. TYPE	PG. P.N. 4022744-02
PRES. E.C. 44807					

ASSEMBLY PARTS LIST

PRINT DATE	PAGE	E.C. NO.
11-12-82	1	4818

DIV.	ASSEMBLY NUMBER	CD	REV.	DWG	DESCRIPTION	MC	STATUS	STATUS DATE	FILE DATE						
0500	402531101	2	A	C	SYS LGC GP,JA2,402527201,PC	N	REL	10-20-82	1950/60	11-03-82					
T	FIND NO	LI	PART NUMBER	CD	M	QUANTITY	U/M	PART DESCRIPTION	MC	YLD	E.C. NO. IN	E.C. NO. OUT	S/N	WK IN	WK OUT
	000	01	402531201	0		REF	PC	CD LGC,JA2,AB001,PC	D						
	010	01	402274103	9		REF	PC	SYS LGC,JA010,PC	D						
	020	01	402274203	7		REF	PC	SYS LGC,JA020,PC	D						
	030	01	402274303	5		REF	PC	SYS LGC,JA030,PC	D						
	031	01	402274402	5		REF	PC	SYS LGC,JA031,PC	D						
	041	01	402274501	4		REF	PC	SYS LGC,JA041,PC	D						
	500	01	402527201	6		REF	PC	CKT CD,JA2,PC ASSY 50 IPS	S						
								0007 TOTAL LINES							

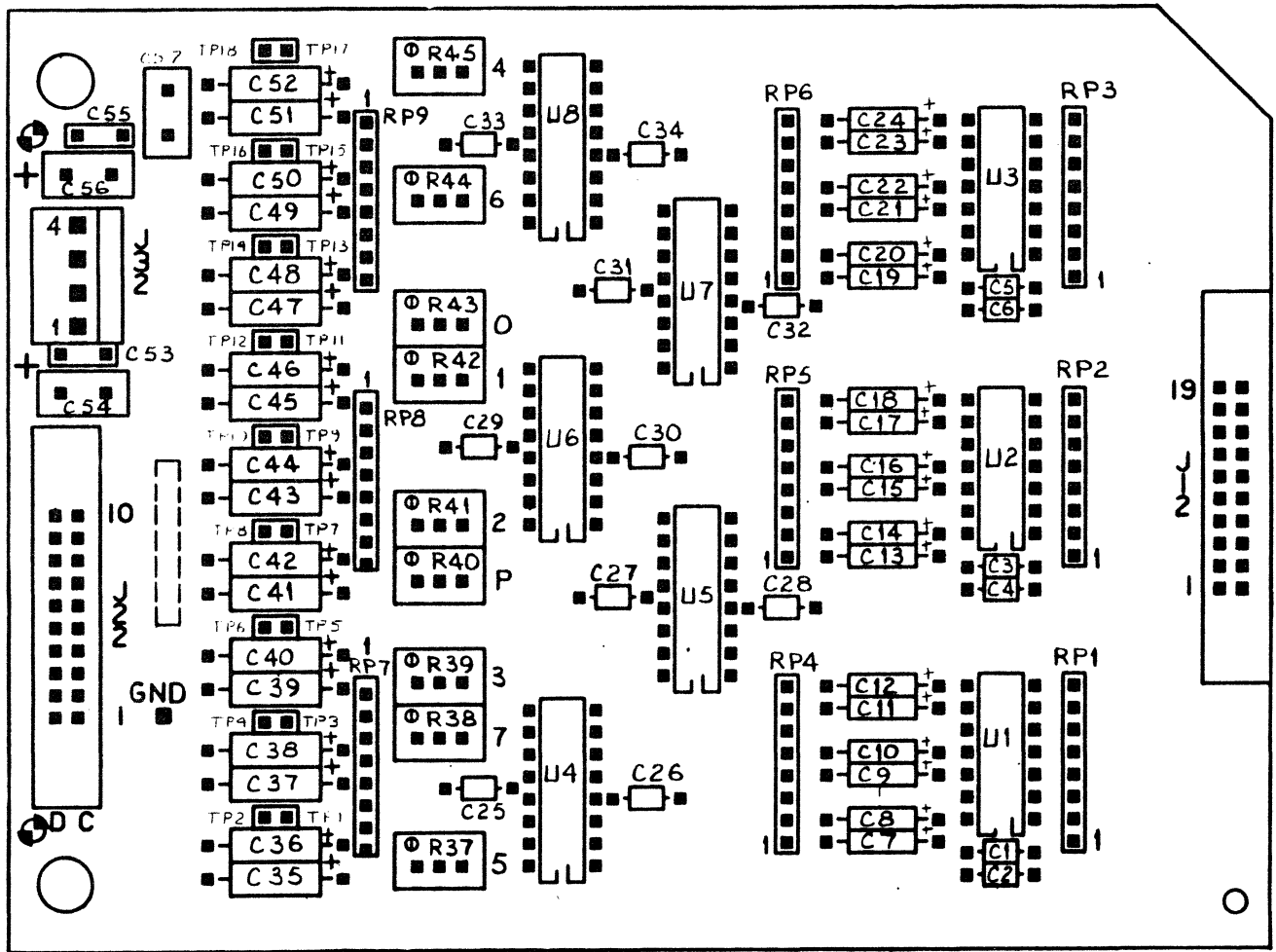


NOTES: UNLESS OTHERWISE SPECIFIED
 1. RESISTORS ARE 1/4W, 5% AND VALUES ARE IN OHMS.
 2. ALL CAPACITORS ARE IN MICROFARADS.

PULL-UPS							
PRES. E.C.	44757	MACH.		CD. LOC.	CASTING, FRONT	CD. P.N.	JA2
PREV. E.C.	NONE	VERS.		GATE	FRAME	CD. TYPE	
DATE	7-7-82	GBL. ROT.		PG. P.N.		402274501	

J
A
0
4
1

J
A
0
4
1



JA2 CARD, PREAMP

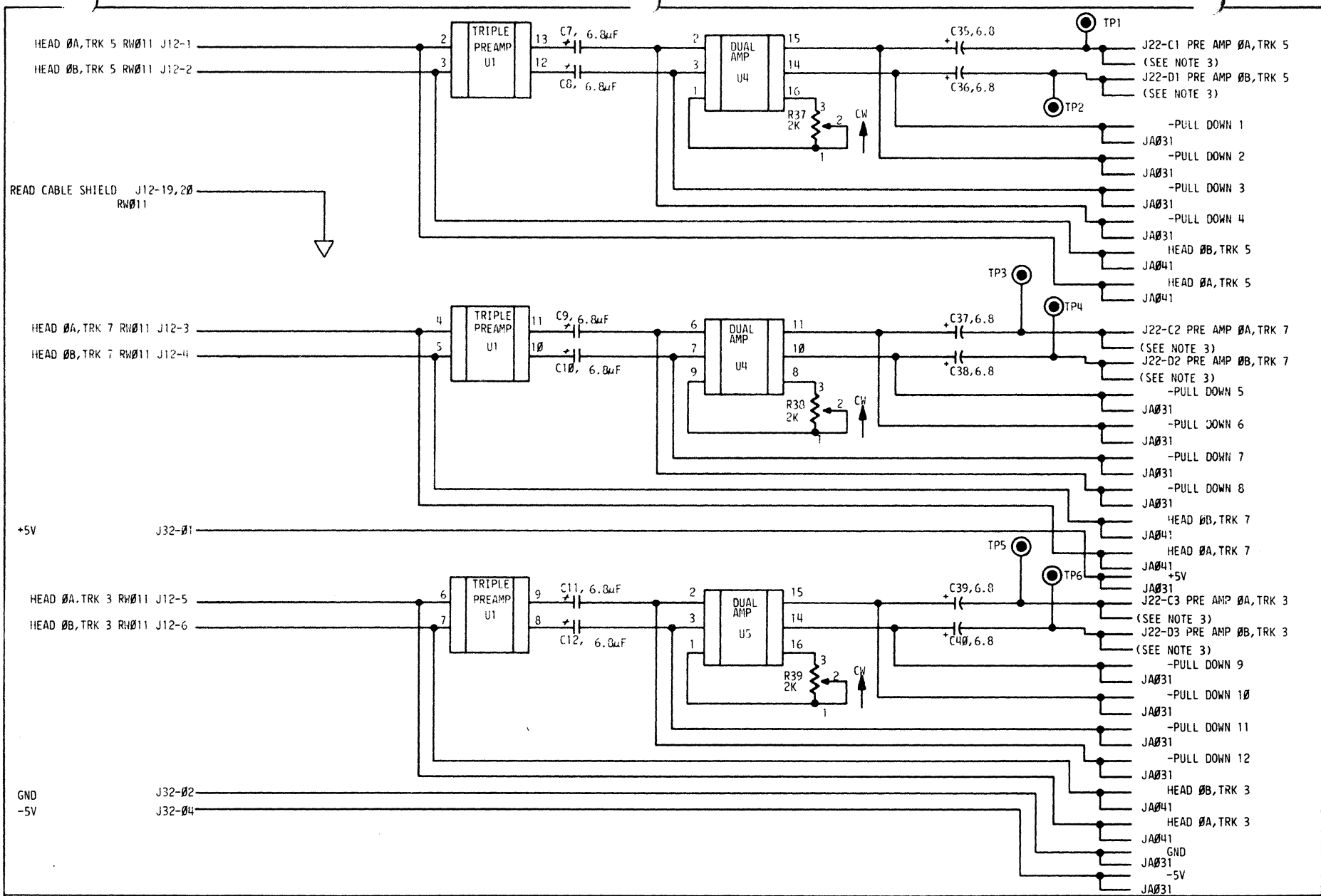
PRES. E.C. 44816
 PREV. E.C. NONE
 DATE 10-25-82

MACH.
 VERS.
 OBL. ROT.

CD. LOC. CASTING, FRONT
 GATE
 FRAME

CD. PN. 4025272-01
 CD. TYPE JA2
 PG. PN. 4025312-01

A
 B
 C
 D
 E
 F
 G
 H
 I



NOTES: UNLESS OTHERWISE SPECIFIED

1. RESISTORS ARE 1/4W, 5% AND VALUES ARE IN OHMS.
2. ALL CAPACITORS ARE IN MICROFARADS.
3. J22 CONNECTED TO MBD ON PE/GCR MACHINES.
J22 CONNECTED TO JW ON NR21 MACHINES.

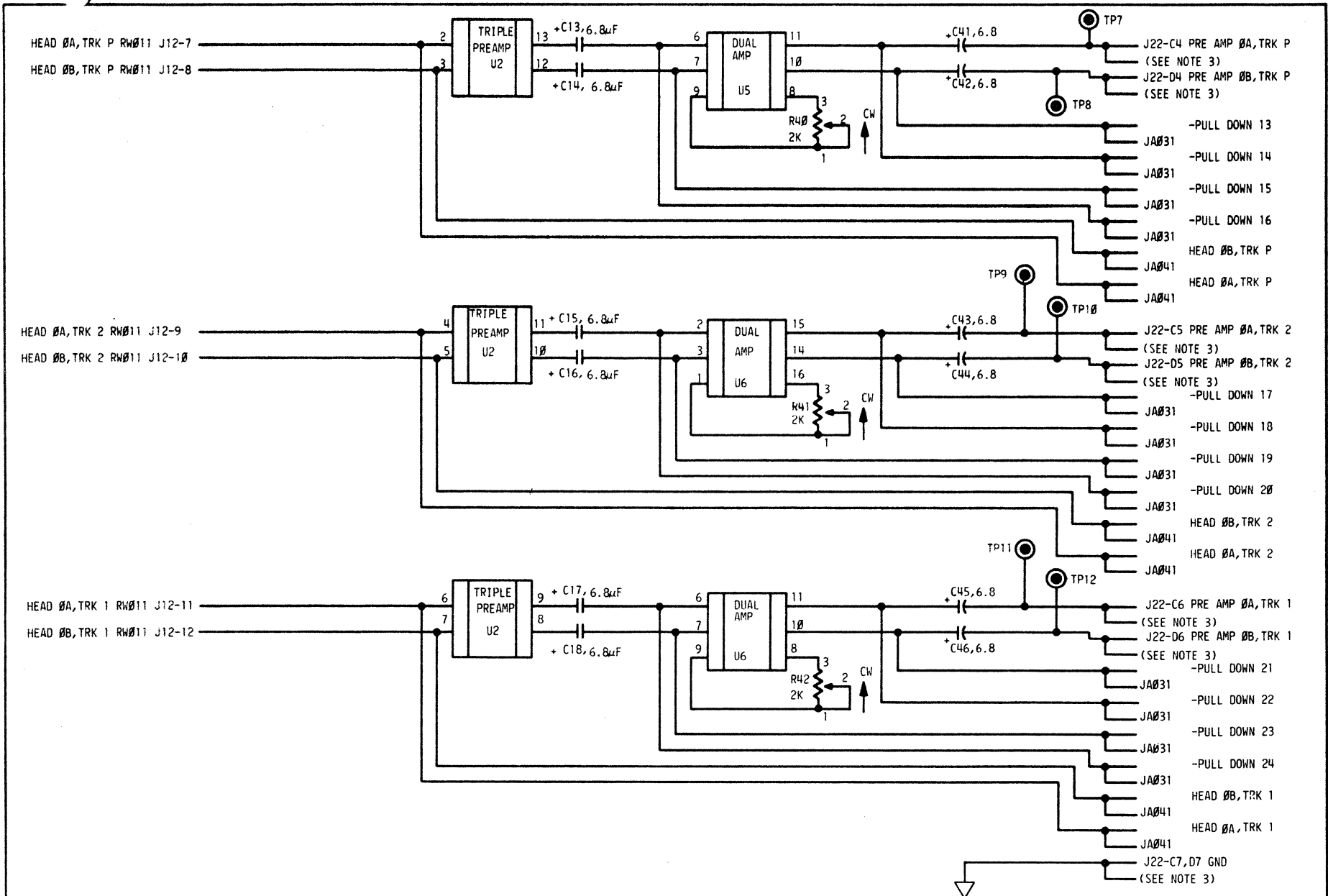
READ AMP, TRACKS 5, 7 & 3

PRES. E.C. 55041
 PREV. E.C. 44810
 DATE 9-29-82

MACH. 1950
 VERS.
 GBL. ROT.

CD. LOC. CASTING, FRONT
 GATE FRAME

CD. PN. JA2
 CD. TYPE PG. PN. 4022741-03



NOTES: UNLESS OTHERWISE SPECIFIED

1. RESISTORS ARE 1/4W, 5% AND VALUES ARE IN OHMS.
2. ALL CAPACITORS ARE IN MICROFARADS.
3. J22 CONNECTED TO MBD ON PE/GCR MACHINES.
J22 CONNECTED TO JW ON NRZ1 MACHINES.

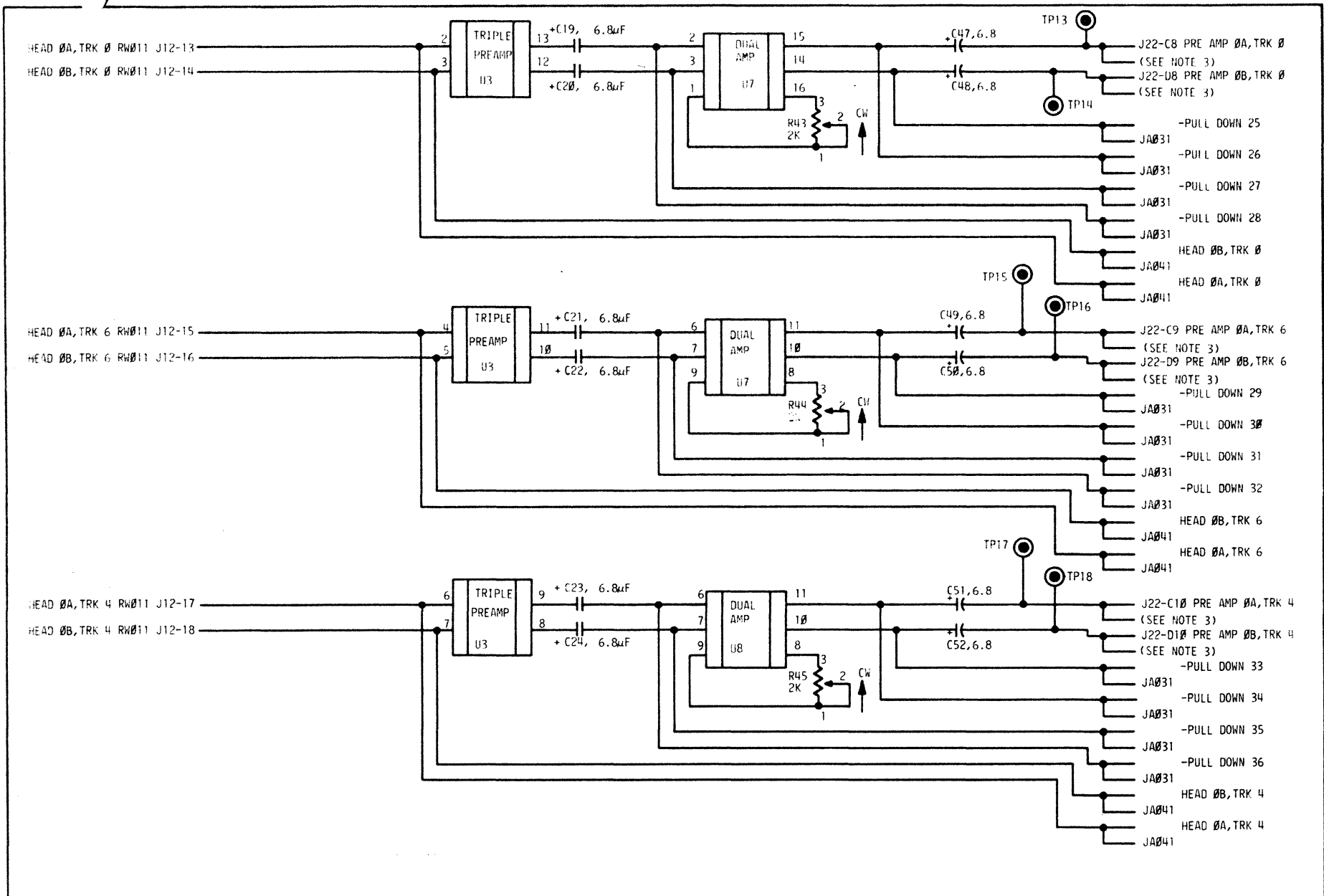
READ AMP, TRACKS P, 2 & 1

PRES. E.C. 55041
PREV. E.C. 44310
DATE 9-29-62

MACH. VERS.
G.B.L. ROT.

CD. LOC. CASTING, FRONT
GATE FRAME

CD. P.N. JA2
PG. PN. 4022742-03



NOTES: UNLESS OTHERWISE SPECIFIED.

1. RESISTORS ARE 1/4W, 5% AND VALUES ARE IN OHMS.
2. ALL CAPACITORS ARE IN MICROFARADS.
3. J22 CONNECTED TO MBD ON PE/GCR MACHINES.
J22 CONNECTED TO JW ON NR21 MACHINES.

READ AMP, TRACKS 0, 6 & 4

PRES. E.C. 55041
 PREV. E.C. 44310
 DATE 9-29-82

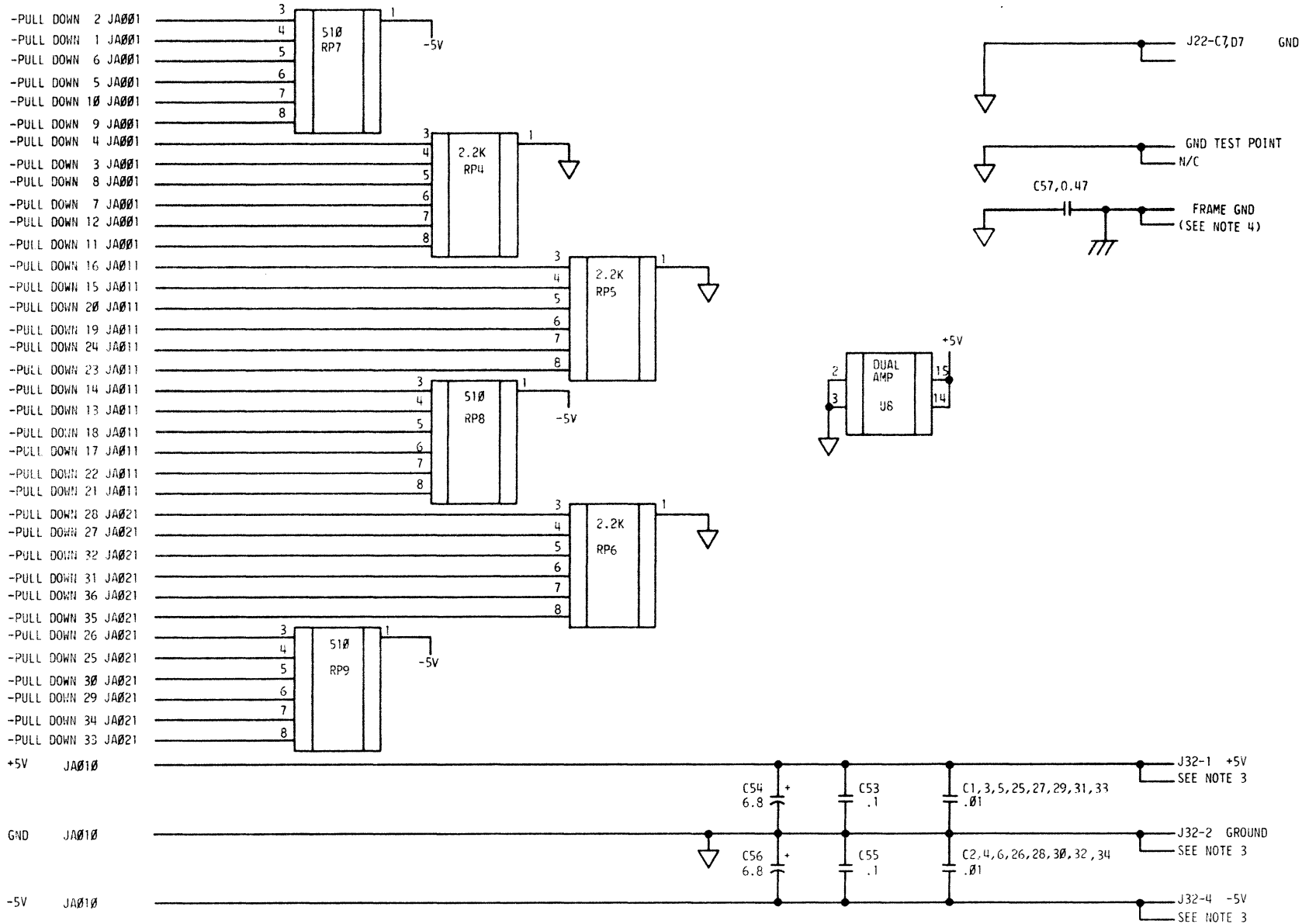
MACH. VRS. GBL. ROT.

CD. LOC. CASTING, FRONT
 GATE FRAME

CD. P.N. JA2
 CD. TYPE PG. RN. 4022743-03

J
A
0
3
0

J
A
0
3
0



NOTES: UNLESS OTHERWISE SPECIFIED

1. RESISTORS ARE 1/4W, 5% AND VALUES ARE IN OHMS.
2. ALL CAPACITORS ARE IN MICROFARADS.
3. THESE LINES ARE CONNECTED TO THE INTERNAL POWER OR GROUND PLANES.
4. GROUND PLANE OF CARD CONNECTED TO FRAME GROUND ON DECK VIA C57.

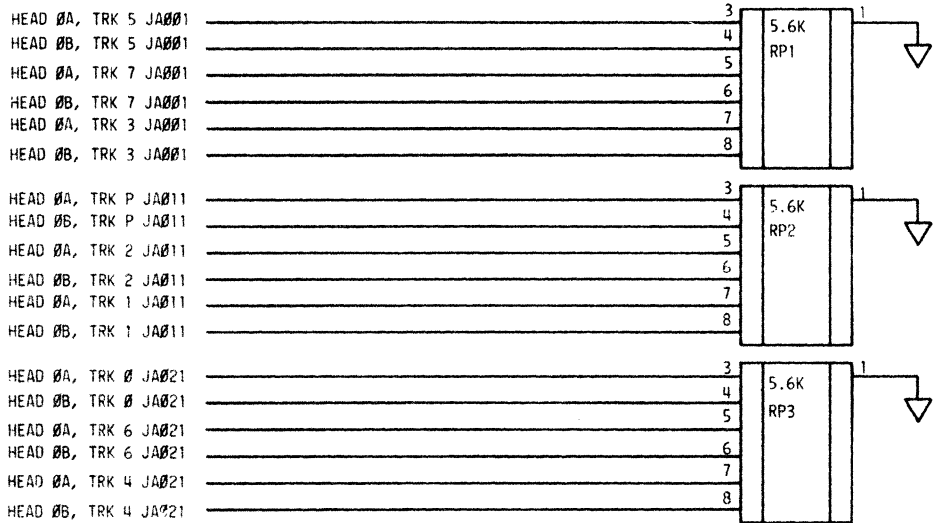
PULL-UPS, BY-PASS CAPS, & SPARE COMPONENTS

PRES. E.C. 44807
 PREV. E.C. 44757
 DATE

MACH. VERS. 9/32
 GBL. ROT.

CD. LOC. CASTING, FRONT
 GATE FRAME

CD. P.N. JA2
 CD. TYPE
 PG. P.N. 4022744-02



NOTES: UNLESS OTHERWISE SPECIFIED

1. RESISTORS ARE 1/4W, 5% AND VALUES ARE IN OHMS.
2. ALL CAPACITORS ARE IN MICROFARADS.

		PULL-UPS					
PRE. E.C.	44757	MACH.		CD. LOC.	CASTING, FRONT	CD. P.N.	JA2
PREV. E.C.	NONE	VERS.		GATE		CD. TYPE	JA2
DATE	7-7-82	GBL. ROT.		FRAME		PG. P.N.	402274501

JA041

JA041

ASSEMBLY PARTS LIST

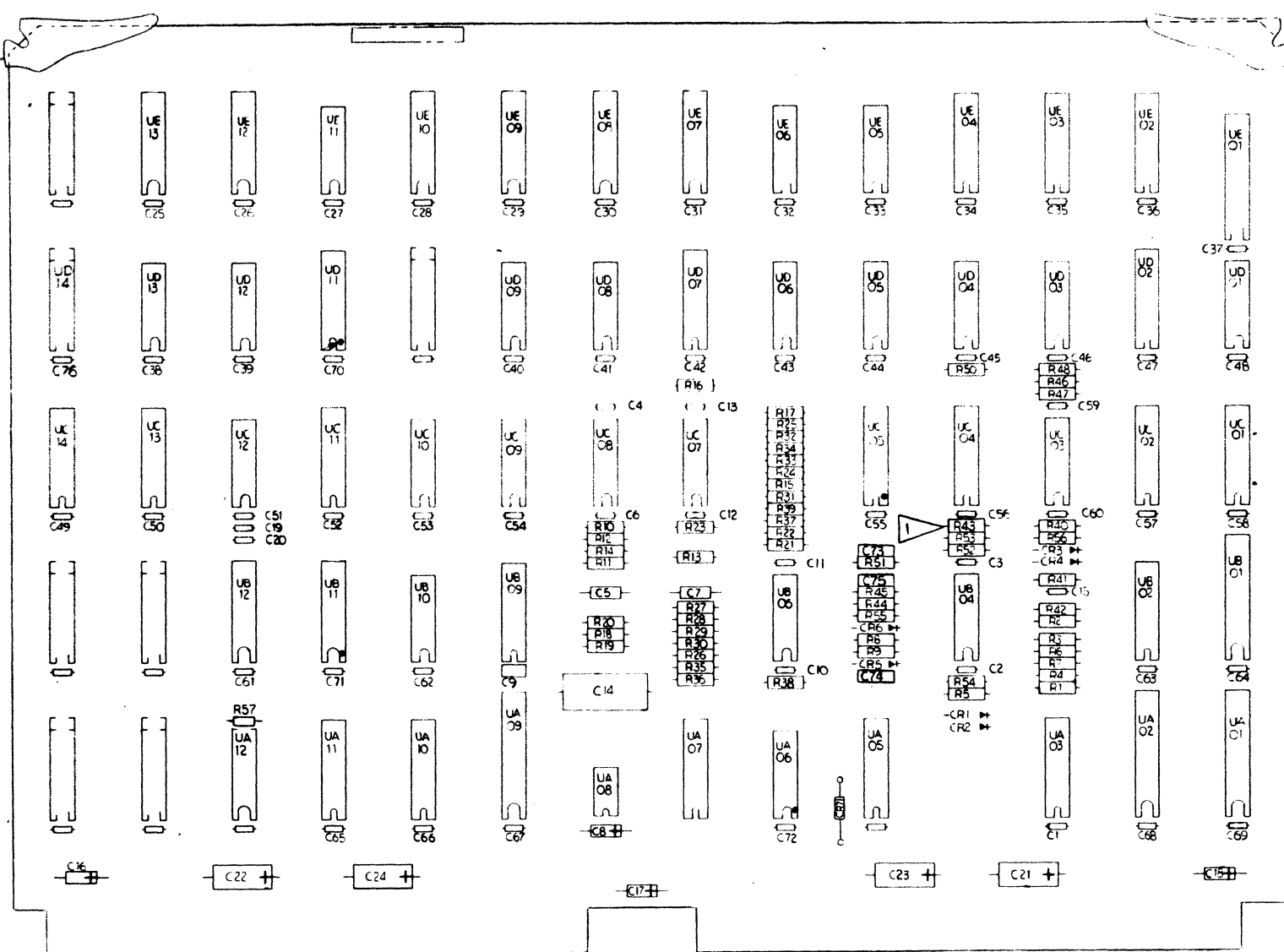
PRINT DATE	PAGE	E.C. NO.
07-28-83	1	49251

DIV.	ASSEMBLY NUMBER	CD	REV.	DWG.	DESCRIPTION	MC	STATUS	STATUS DATE	FILE DATE					
0500	401229704	2	G	N	SYS LGC GP, JC, MULTI PN'S, PC	N	REL	07-20-83	1950 07-25-83					
T/FIND NO	LI	PART NUMBER	CD	M	QUANTITY	U/M	PART DESCRIPTION	MC	YLD	E.C. NO. IN	E.C. NO. OUT	S/N	WK IN	WK OUT
	000	01 401231004	3		REF	PC	CD LGC, AB001, JC, PC	D						
	001	01 401231102	5		REF	PC	SYS LGC, JC001, FC	D			44756		8231	8231
	001	02 402272101	5		REF	PC	SYS LGC, JC001, FC	D		44756			8231	
	011	01 401231203	1		REF	PC	SYS LGC, JC011, PC	D			44756			8231
	011	02 402272201	3		REF	PC	SYS LGC, JC011, PC	D		44756	49251		8231	8330
	011	03 402272202	1		REF	PC	SYS LGC, JC011, FC	D		49251			8330	
	012	01 402263401	0		REF	PC	SYS LGC, JC012, FC	D		44756			8231	
	013	01 402263501	7		REF	PC	SYS LGC, JC013, FC	D		44756	49251		8231	8330
	013	02 402263502	5		REF	PC	SYS LGC, JC013, FC	D		49251			8330	
	021	01 401231302	1		REF	PC	SYS LGC, JC021, FC	D			44756		8231	8231
	021	02 402272301	1		REF	PC	SYS LGC, JC021, FC	D		44756			8231	
	025	01 402263601	5		REF	PC	SYS LGC, JC025, FC	D		44756			8231	
	031	01 401231404	5		REF	PC	SYS LGC, JC031, PC	D			44756			8231
	031	02 402272401	9		REF	PC	SYS LGC, JC031, FC	D		44756	49251		8231	8330
	031	03 402272402	7		REF	PC	SYS LGC, JC031, FC	D		49251			8330	
	032	01 402263701	3		REF	PC	SYS LGC, JC032, FC	D		44756	49251		8231	8330
	032	02 402263702	1		REF	PC	SYS LGC, JC032, FC	D		49251			8330	
	033	01 402263801	1		REF	PC	SYS LGC, JC033, FC	D		44756			8231	
	041	01 401231503	4		REF	PC	SYS LGC, JC041, FC	D			44756			8231
	041	02 402272501	6		REF	PC	SYS LGC, JC041, FC	D		44756	49251		8231	8330
	041	03 402272502	4		REF	PC	SYS LGC, JC041, FC	D		49251			8330	
	042	01 402263901	9		REF	PC	SYS LGC, JC042, FC	D		44756			8231	
	051	01 401231603	2		REF	PC	SYS LGC, JC051, FC	D			44756			8231
	051	02 402272601	4		REF	PC	SYS LGC, JC051, FC	D		44756			8231	
	055	01 402264001	7		REF	PC	SYS LGC, JC055, FC	D		44756	49251		8231	8330
	055	02 402264002	5		REF	PC	SYS LGC, JC055, FC	D		49251			8330	
	061	01 401231703	0		REF	PC	SYS LRC, JC061, FC	D			44756			8231

ASSEMBLY PARTS LIST

PRINT DATE	PAGE	E.C. NO.
07-28-83	2	9251

DIV.	ASSEMBLY NUMBER	CD	REV.	DWG.	DESCRIPTION	MC	STATUS	STATUS DATE	FILE DATE						
0500	401229704	2	G	A	SYS LGC GP, JC, MULTI FN'S, PC	N	REL	07-20-83	1950 07-25-83						
T	FIND NO	LI	PART NUMBER	CD	M	QUANTITY	U/M	PART DESCRIPTION	MC	YLD	E.C. NO. IN	E.C. NO. OUT	S/N	WK IN	WK OUT
	061	02	402272701	2		REF	PC	SYS LGC, JC061, PC	D		44756			8231	
	065	01	402264101	5		REF	PC	SYS LGC, JC065, FC	D		44756			8231	
	500	01	401230207	3		REF	PC	CKT CD, JC, PC ASSY, 125 IPS, FUD	S						
	501	01	401249203	1		REF	PC	CKT CD, JC, PC ASSY, 75 IPS, FUD	S						
0031 TOTAL LINES															



COMPONENT VALUE TO BE SELECTED IN CARD TEST.
*NOTE CARD P/N'S

75 IPS 4012492-03-1
125 IPS 4012302-C7-3

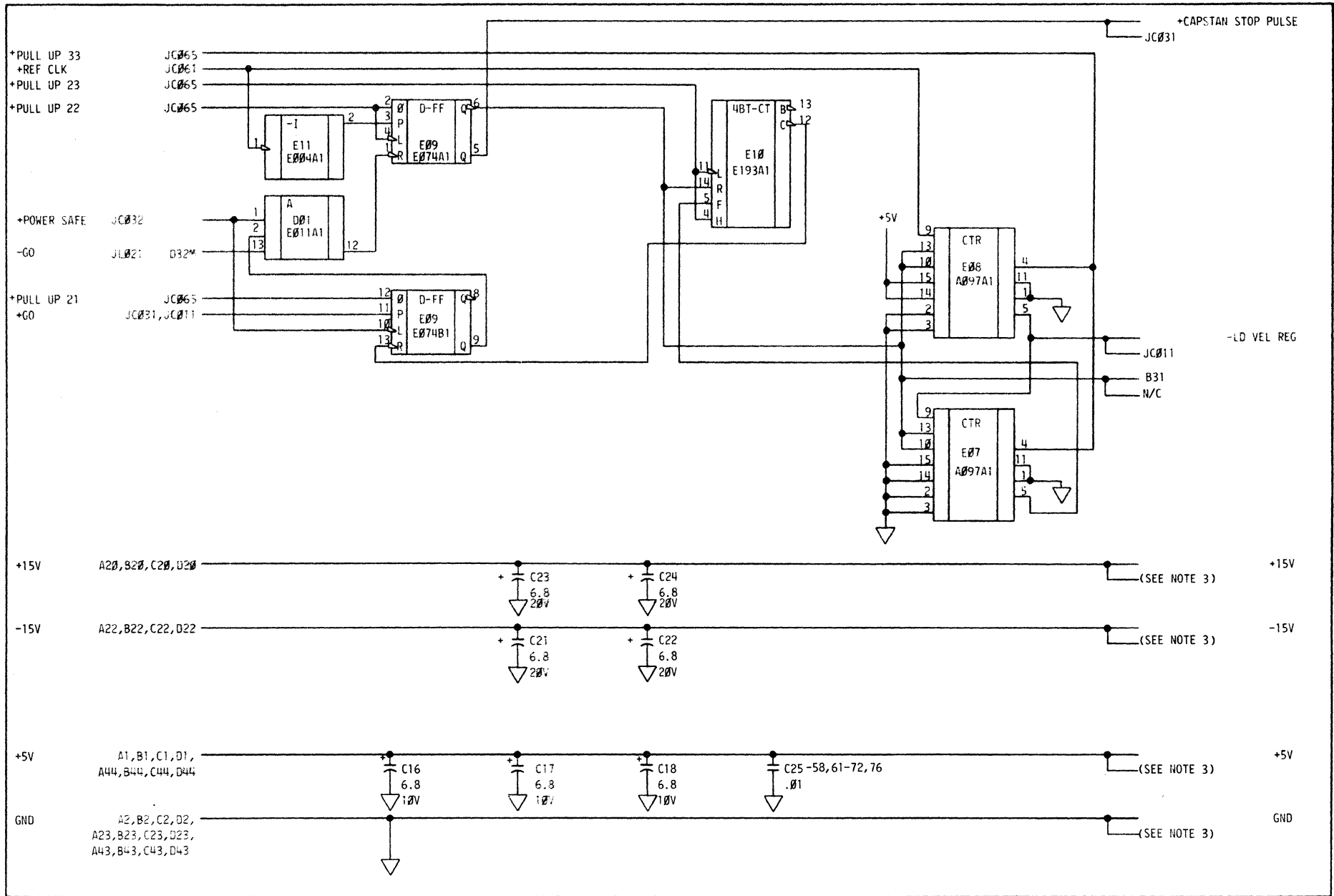
JC CARD-CAPSTAN CONTROL CARD

PREV. E.C. +4546
PREV. E.C. +4343
DATE 9-27-81

MACH. 1950
VERS.
GBL. ROT.

CD. LOC. C2
GATE FRAME

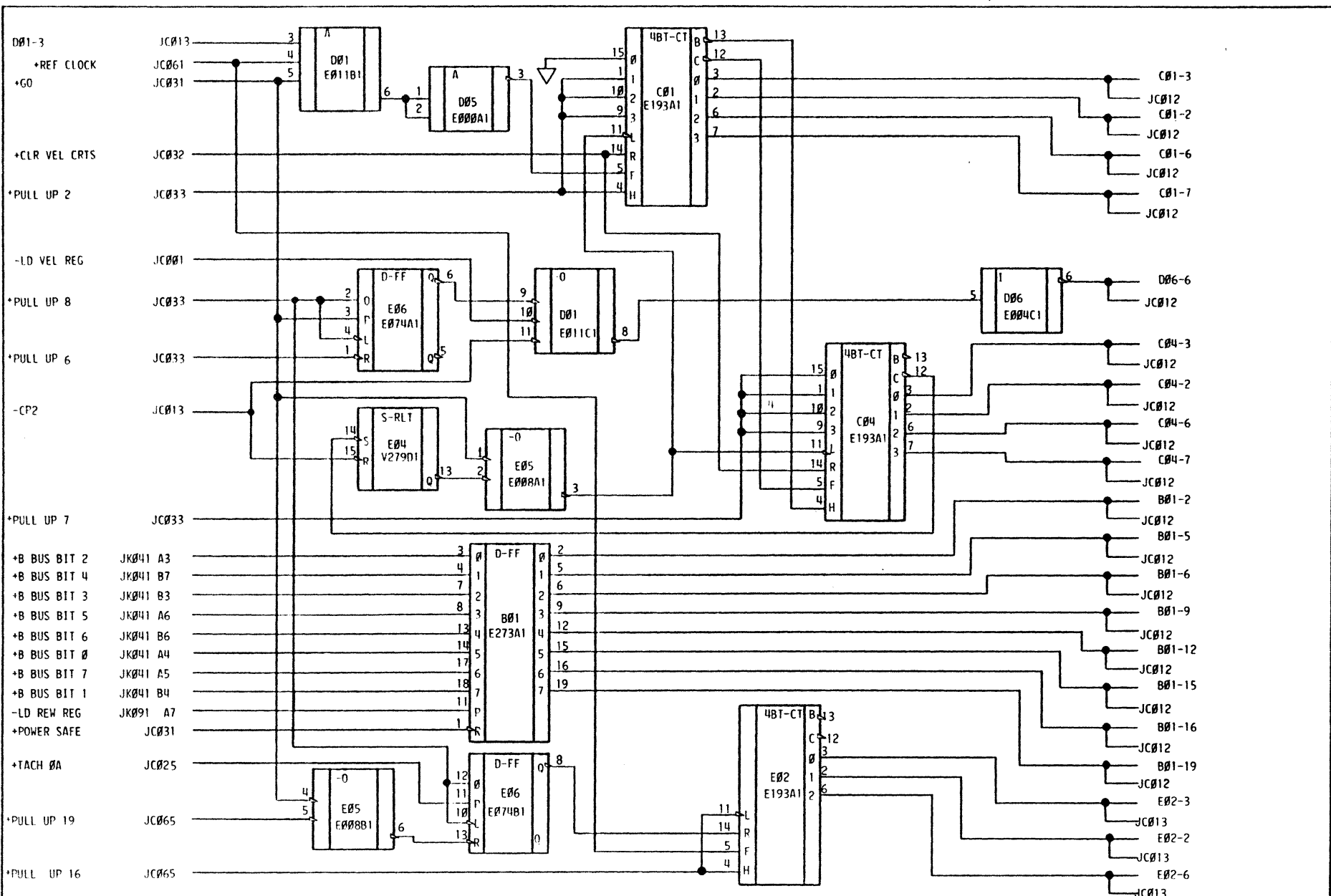
CD. P.N. *
CD. TYPE JC
PG. P.N. 401231004-3



NOTES: UNLESS OTHERWISE SPECIFIED

1. RESISTORS ARE 1/4W, 5% AND VALUES IN OHMS.
2. ALL CAPACITORS ARE IN MICROFARADS.
3. THESE POINTS ARE CONNECTED TO INTERNAL POWER OR GROUND PLANES.

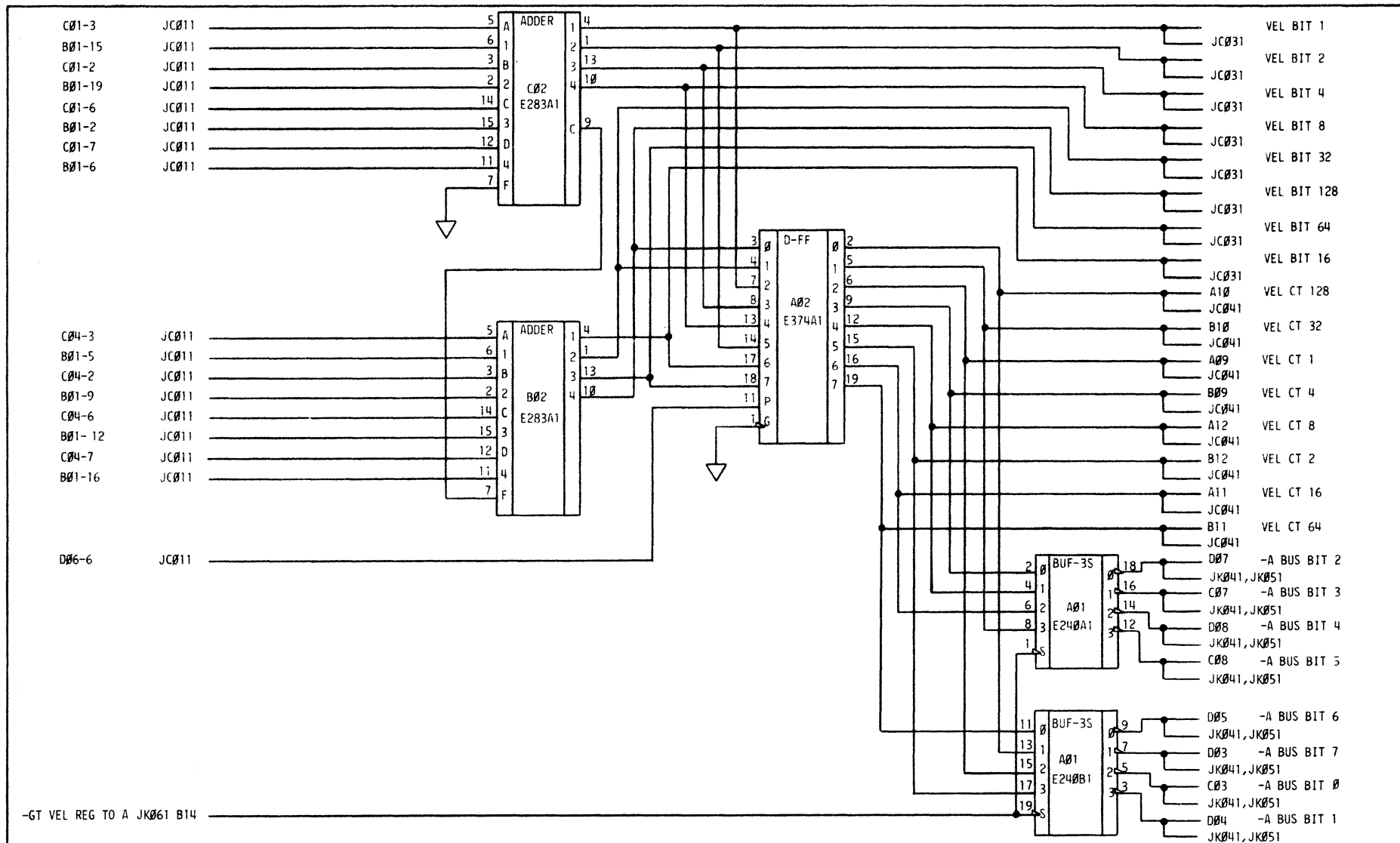
PREV. E.C. 44756 DATE 7-2-82		MACH. VERS. 1950 GBL. ROT.		CD. LOC. GATE FRAME C2 1A		CD. P.N. CD. TYPE PG. P.N. JC 4022721-01	
---	--	---	--	----------------------------------	--	---	--



NOTES: UNLESS OTHERWISE SPECIFIED

1. RESISTORS ARE 1/4W, 5% AND VALUES ARE IN OHMS.
2. ALL CAPACITORS ARE IN MICROFARADS.

CAPSTAN VELOCITY AND REWIND CONTROL					
PRES. E.C.	49251	MACH. VERS.	1950	CD. LOC.	C2
PREV. E.C.	44756	GBL. ROT.		GATE FRAME	1A
DATE	7-26-83			CD. P.N.	JC
				CD. TYPE	JC
				PG. P.N.	4022722-02



NOTES: UNLESS OTHERWISE SPECIFIED

1. RESISTORS ARE 1/4W, 5% AND VALUES ARE IN OHMS.
2. ALL CAPACITORS ARE IN MICROFARADS.

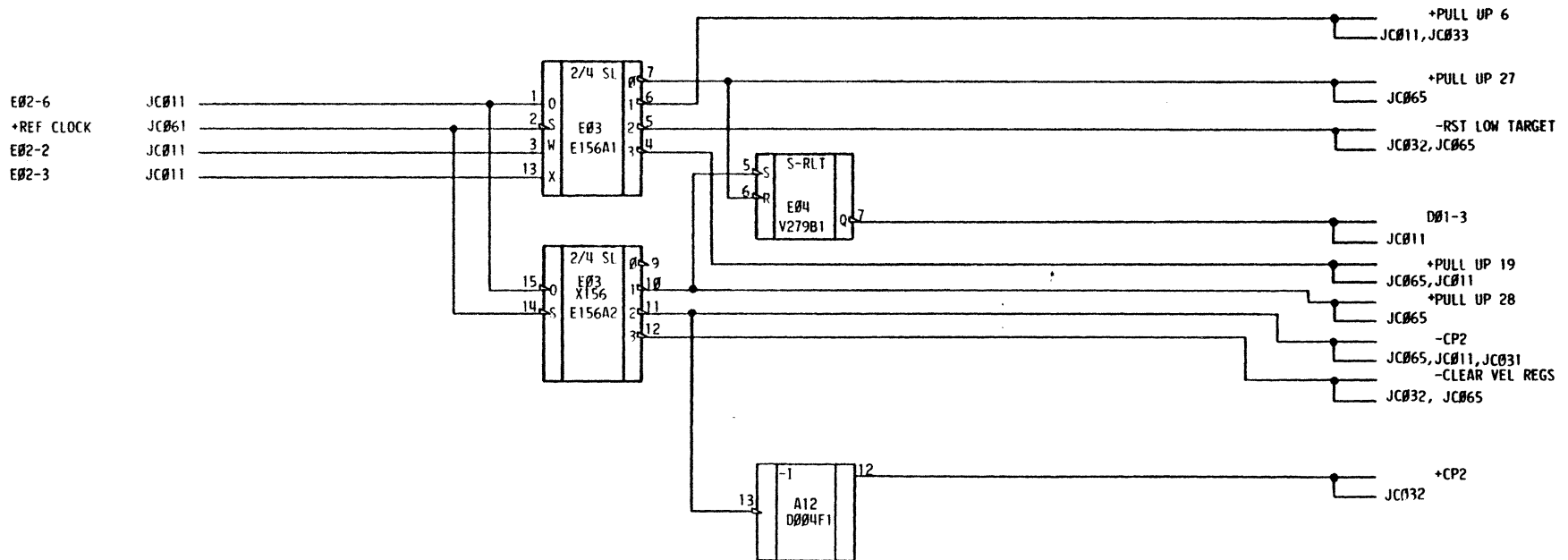
CAPSTAN VELOCITY AND REWIND CONTROL

PRES. E.C. 44756
 PREV. E.C. NONE
 DATE 7-2-82

MACH. 1950
 VERS.
 GBL. ROT.

CD. LOC. C2
 GATE 1A
 FRAME

CD. P.N. JC
 CD. TYPE JC
 PG. P.N. 4022634-01



NOTES: UNLESS OTHERWISE SPECIFIED

1. RESISTORS ARE 1/4W, 5% AND VALUES ARE IN OHMS.
2. ALL CAPACITORS ARE IN MICROFARADS.

CAPSTAN VELOCITY AND REWIND CONTROL

PRES. E.C. 49251
 PREV. E.C. 44756
 DATE 7-26-83

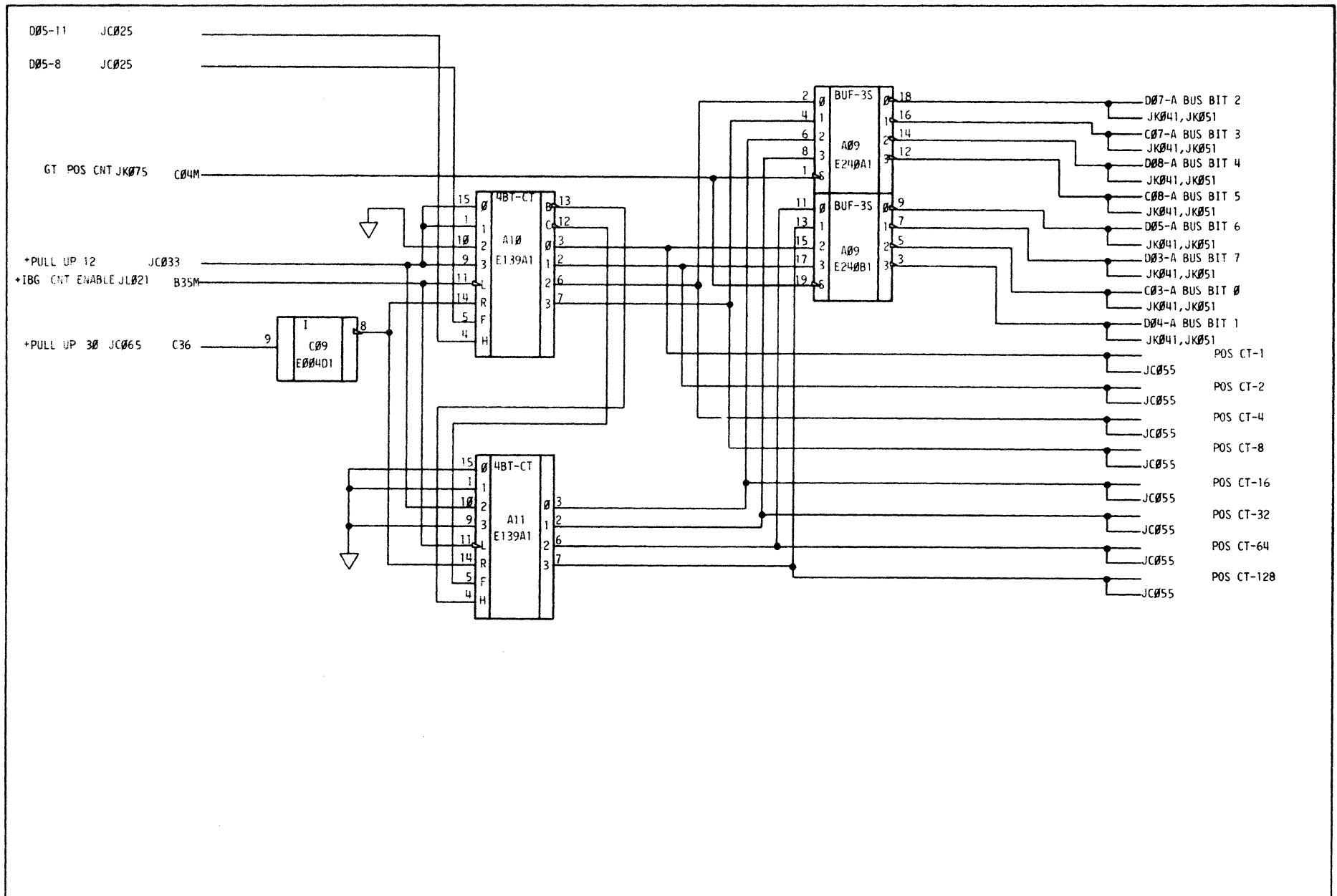
MACH. 1950
 VERS.
 GBL. ROT.

CD. LOC. C2
 GATE 1A
 FRAME

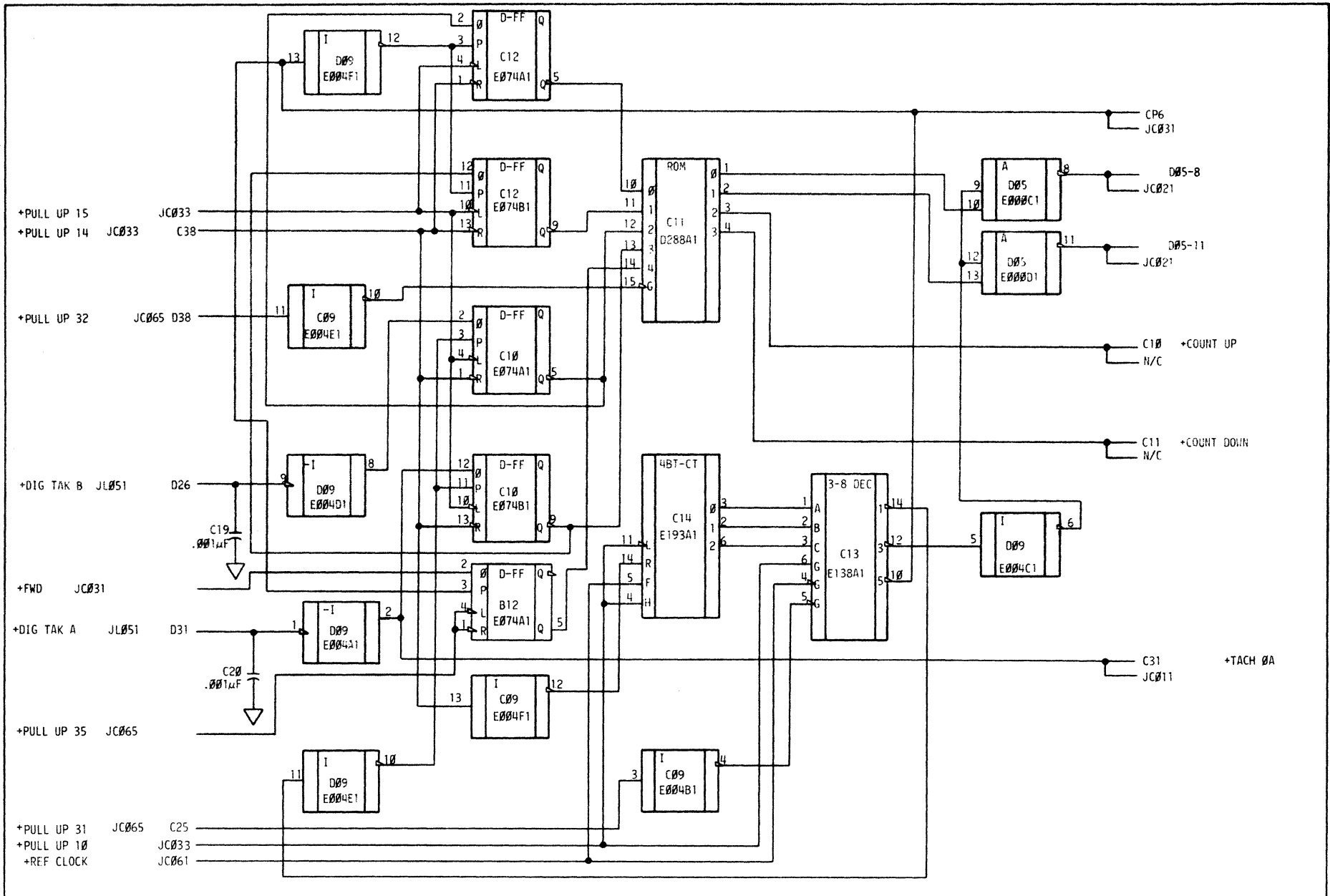
CD. P.N.
 CD. TYPE JC
 PG. P.N. 4022635-02

J
C
0
1
3

J
C
0
1
3



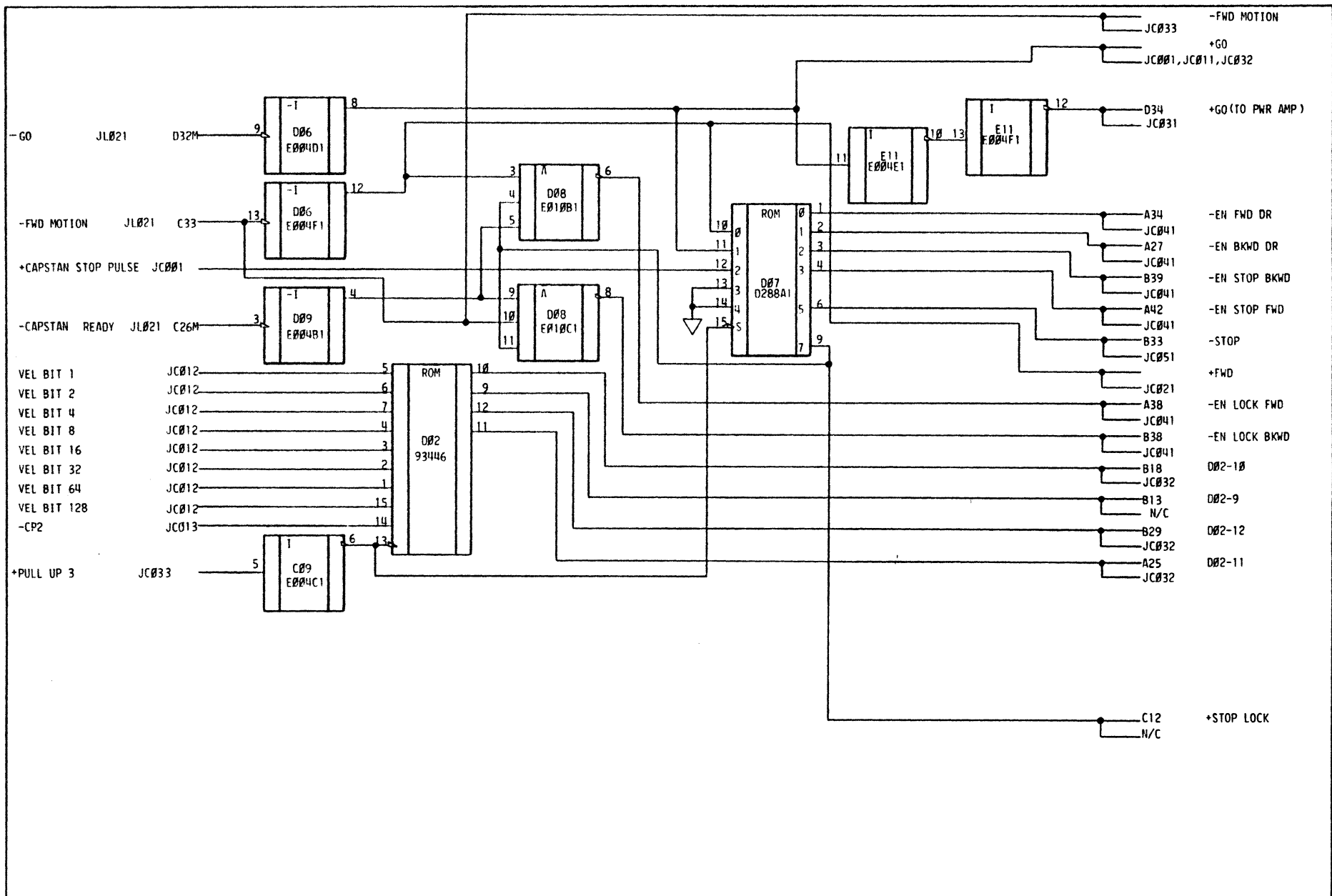
J C 0 2 1	NOTES: UNLESS OTHERWISE SPECIFIED	CAPSTAN LOCK CONTROL, IBG REG			J C 0 2 1
	1. RESISTORS ARE 1/4W, 5% AND VALUES ARE IN OHMS. 2. ALL CAPACITORS ARE IN MICROFARADS.	PRES. E.C. 44756 PREV. E.C. NONE DATE 7-2-82	MACH. 1950 VERS. GBL. ROT.	CD. LOC. C2 GATE 1A FRAME	



+PULL UP 15 JC033
 +PULL UP 14 JC033 C38
 +PULL UP 32 JC065 D38
 +DIG TAK B JL051 D26
 +FWD JC031
 +DIG TAK A JL051 D31
 +PULL UP 35 JC065
 +PULL UP 31 JC065 C25
 +PULL UP 10 JC033
 +REF CLOCK JC061

CP6 JC031
 D05-8 JC021
 D05-11 JC021
 +COUNT UP C10 N/C
 +COUNT DOWN C11 N/C
 +TACH 0A C31 JC011

JCS25	NOTES: UNLESS OTHERWISE SPECIFIED		CAPSTAN LOCK CONTROL, IBG REG		JCS25					
	1.	RESISTORS ARE 1/4W, 5% AND VALUES ARE IN OHMS.	PRES. E.C.	44756		MACH. VERS.	1950	CD. LOC.	C2	CD. P.N.
	2.	ALL CAPACITORS ARE IN MICROFARADS.	PREV. E.C.	NONE	GBL. ROT.		GATE FRAME	1A	PG. PN.	4022636-01
			DATE	7-2-82						



NOTES: UNLESS OTHERWISE SPECIFIED

1. RESISTORS ARE 1/4W, 5% AND VALUES ARE IN OHMS.
2. ALL CAPACITORS ARE IN MICROFARADS.

J
C
0
3
1

LOW TARGET CONTROL AND COMMAND DECODE

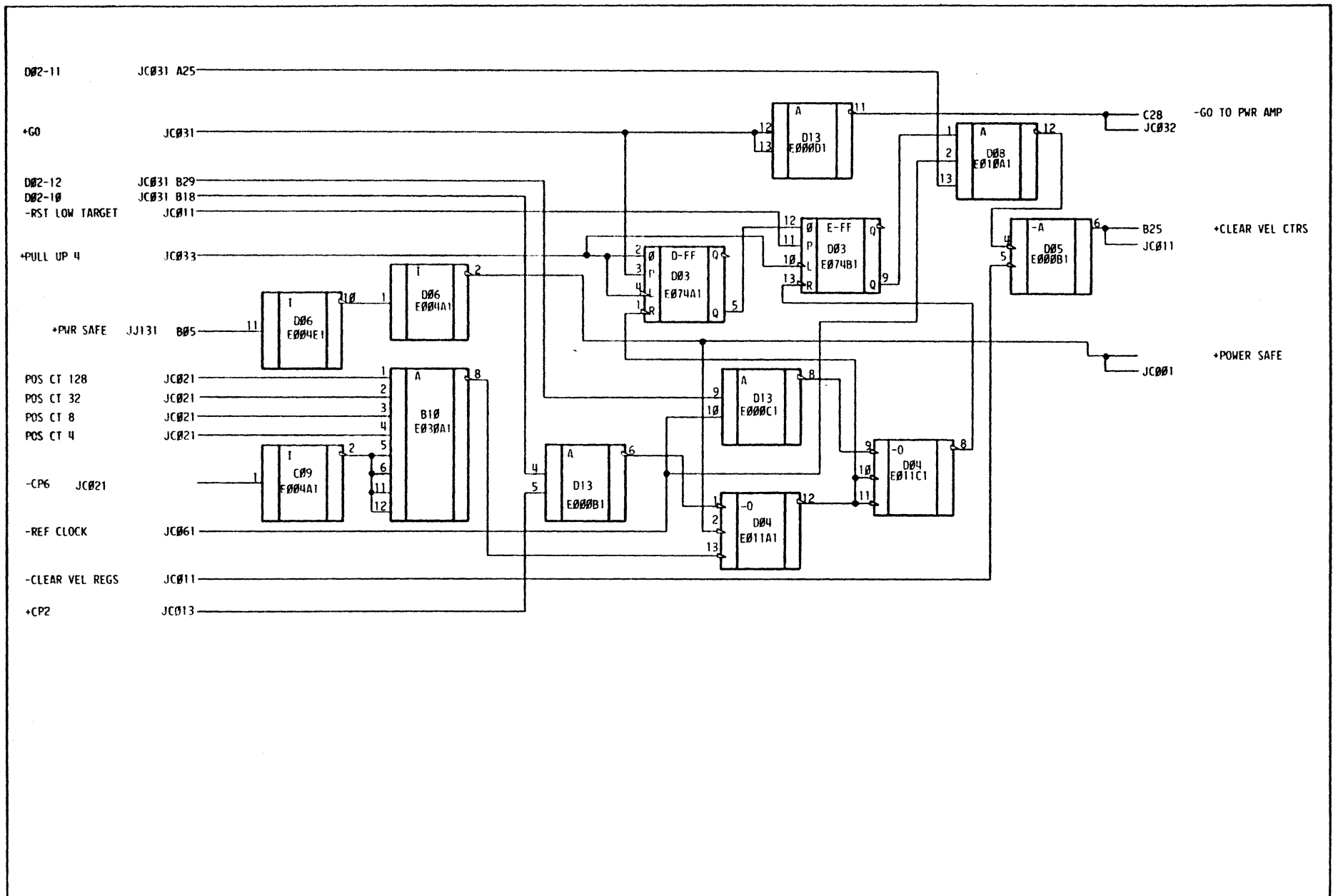
PRES. REC. 49251
44756
DATE 7-26-83

MACH. 1950
VERS.
GBL. ROT.

CD. LOC. C2
GATE FRAME 1A

CD. P.N. JC
CD. TYPE JC
PG. P.N. 4022724-02

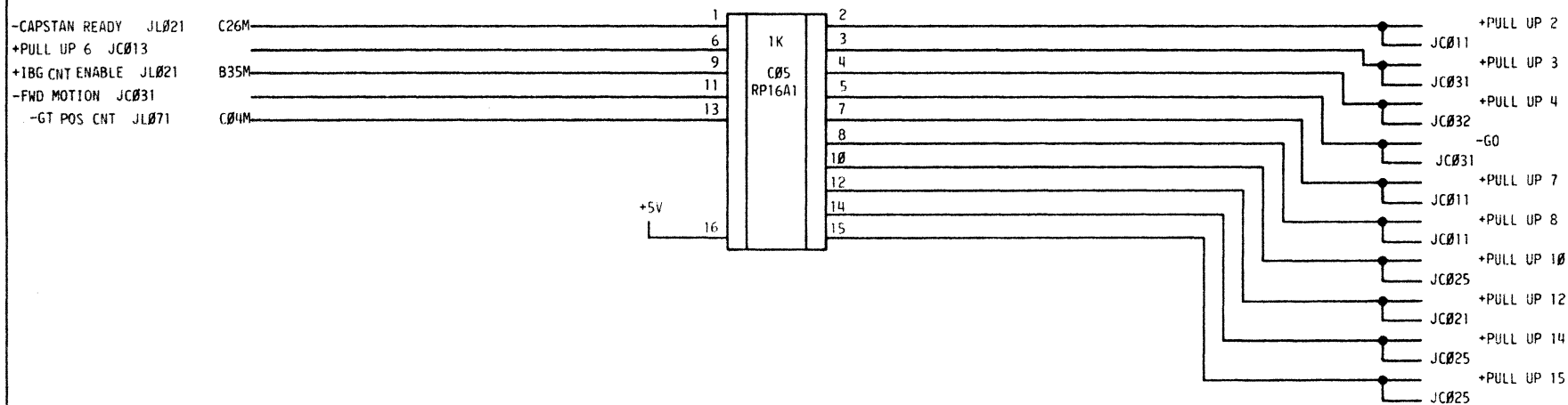
J
C
0
3
1



LOW TARGET CONTROL AND COMMAND DECODE			
PRES. E.C. 49251 PREV. E.C. 44756 DATE 7-26-83	MACH. 1950 VERS. GBL. ROT.	CD. LOC. C2 GATE 1A FRAME	CD. P.N. CD. TYPE JC PG. P.N. 4022637-02

J
C
0
3
2

J
C
0
3
2



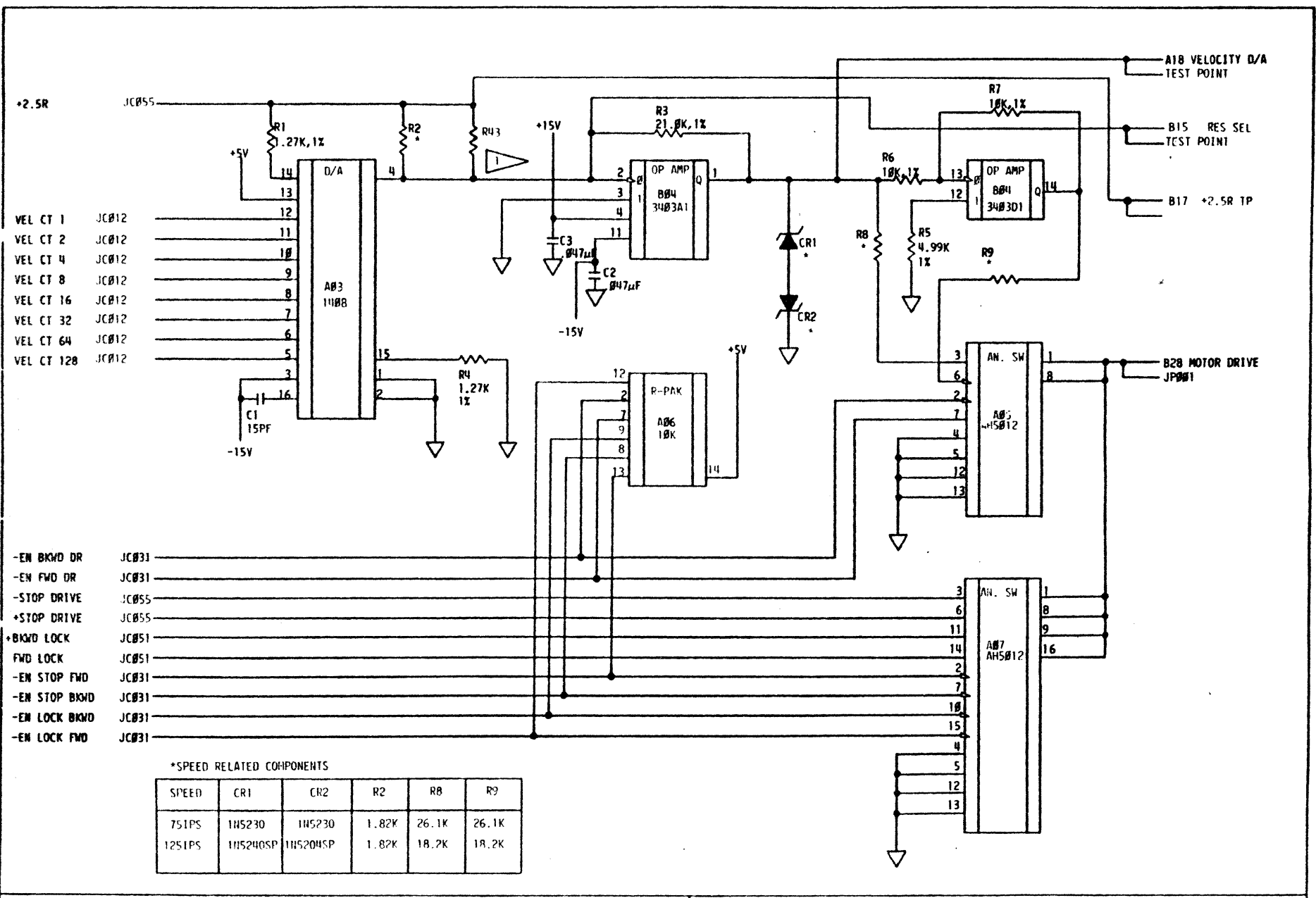
NOTES: UNLESS OTHERWISE SPECIFIED

1. RESISTORS ARE 1/4W, 5% AND VALUES ARE IN OHMS.
2. ALL CAPACITORS ARE IN MICROFARADS.

PULL-UPS

PREP. E.C.	44756	MACH.	1950	CD. LOC.	C2	CD. P.N.	
PREV. E.C.	NONE	VERS.		GATE FRAME	1A	CD. TYPE	JC
DATE	7-2-82	GBL. ROT.				PG. P.N.	4022638-01

J
C
0
3
3



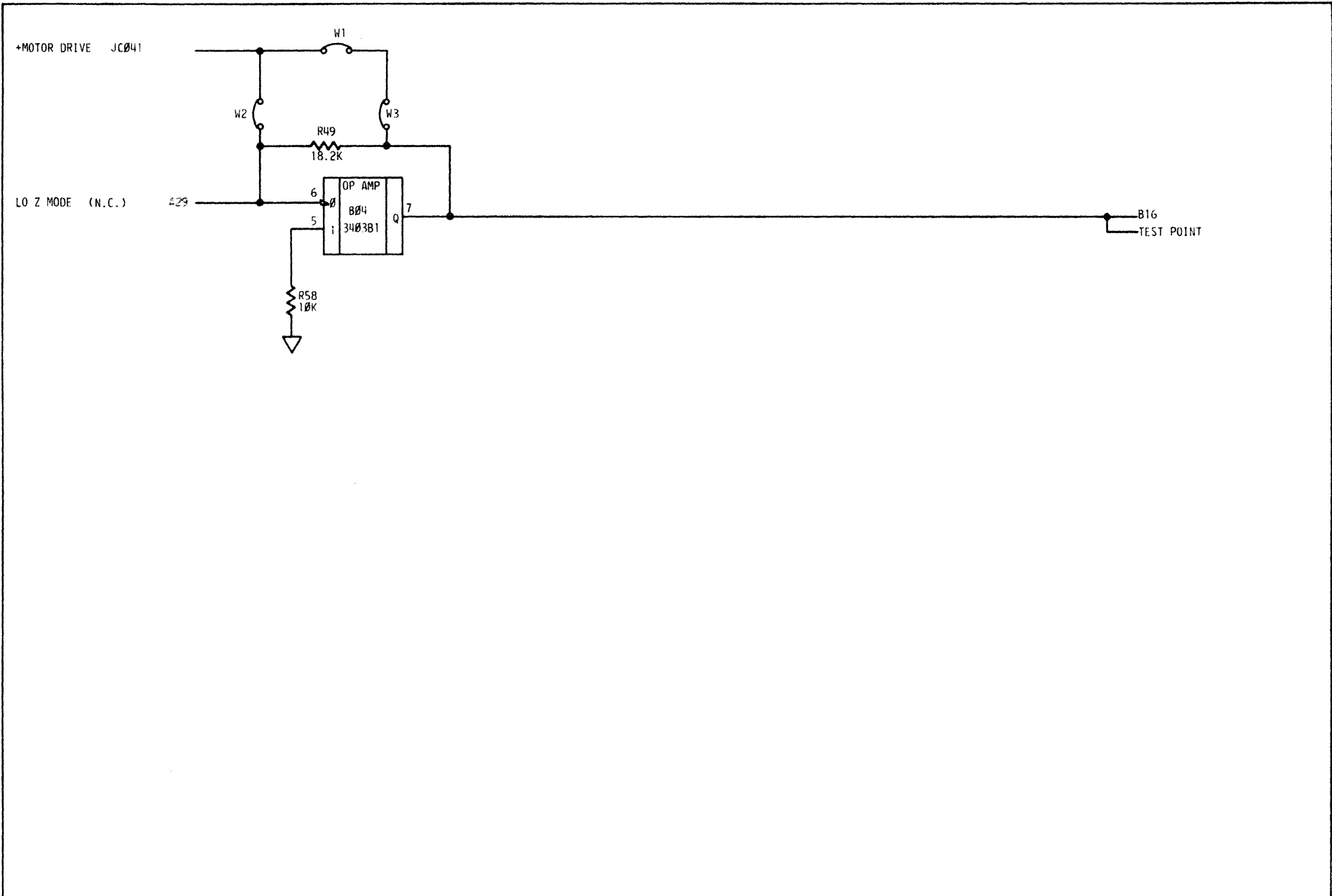
*SPEED RELATED COMPONENTS

SPEED	CR1	CR2	R2	R8	R9
751PS	1N5230	1N5230	1.82K	26.1K	26.1K
1251PS	1N5240SP	1N520NSP	1.82K	18.2K	18.2K

NOTES: UNLESS OTHERWISE SPECIFIED
 COMPONENT VALUE TO BE SELECTED IN CARD TEST.
 RESISTORS ARE 1/4W, 5% AND VALUES ARE IN OHMS.
 ALL CAPACITORS ARE IN MICROFARADS.

J C 0 4 1
 1.
 2.
 3.

CAPSTAN VELOCITY, STOP AND LOCK SELECT
 PRES. E.C. 49251
 PREV. E.C. 44756
 DATE 7-26-83
 MACH. VERS. 1950
 GBL. ROT.
 CD. LOC. C2
 GATE FRAME 1A
 CD. P.N. JC 22725-02
 PG. P.N. 04



NOTES: UNLESS OTHERWISE SPECIFIED

1. RESISTORS ARE 1/4W, 5% AND VALUES ARE IN OHMS.
2. ALL CAPACITORS ARE IN MICROFARADS.

MOTOR DRIVE CONTROL

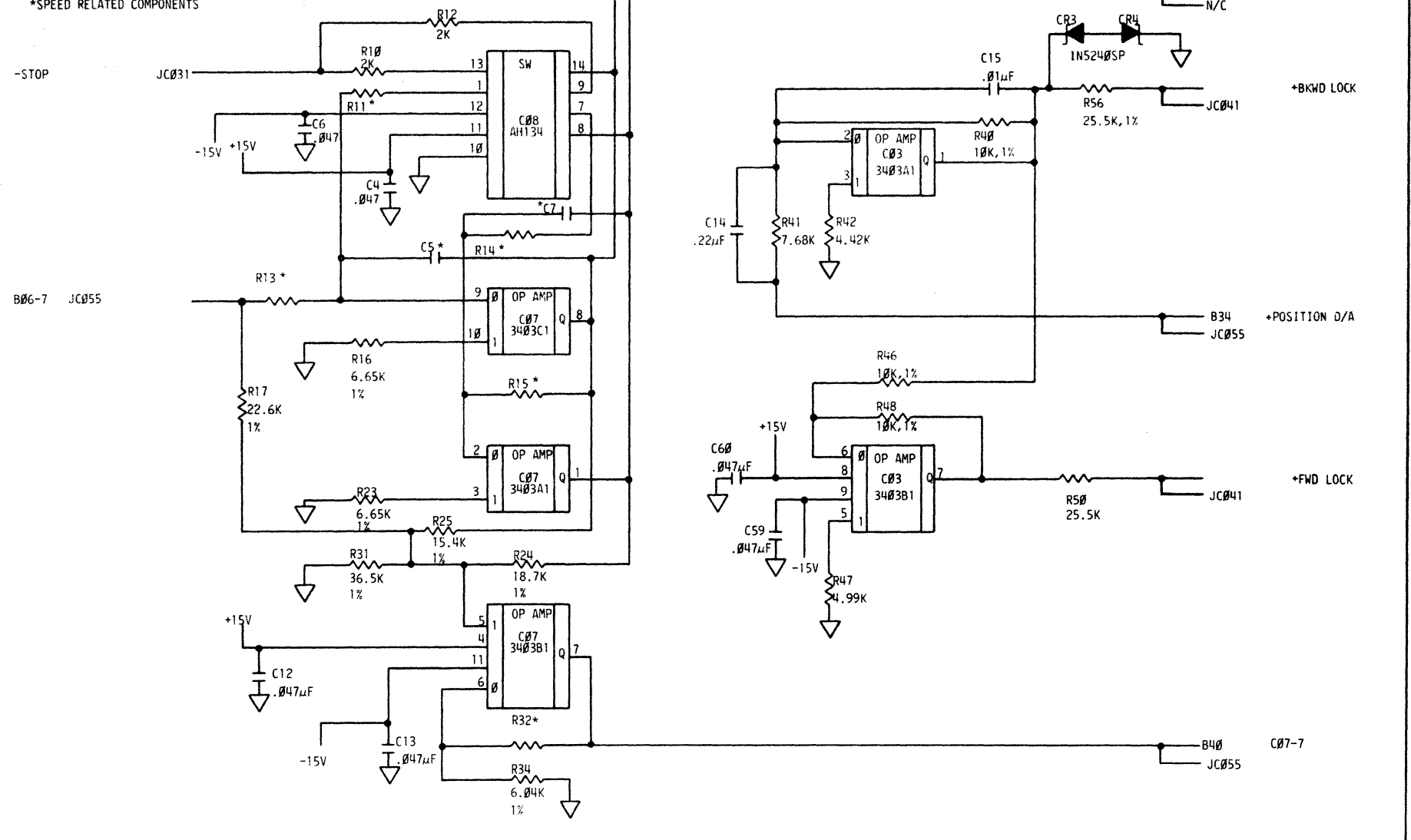
PREV. E.C. 44756	MACH. 1950	CD. LOC. C2	CD. PN.
PREV. E.C. NONE	VERS.	GATE 1A	CD. TYPE JC
DATE 7-2-82	GBL. ROT.	FRAME	PG. PN. 4022639-01

J
C
0
4
2

J
C
0
4
2

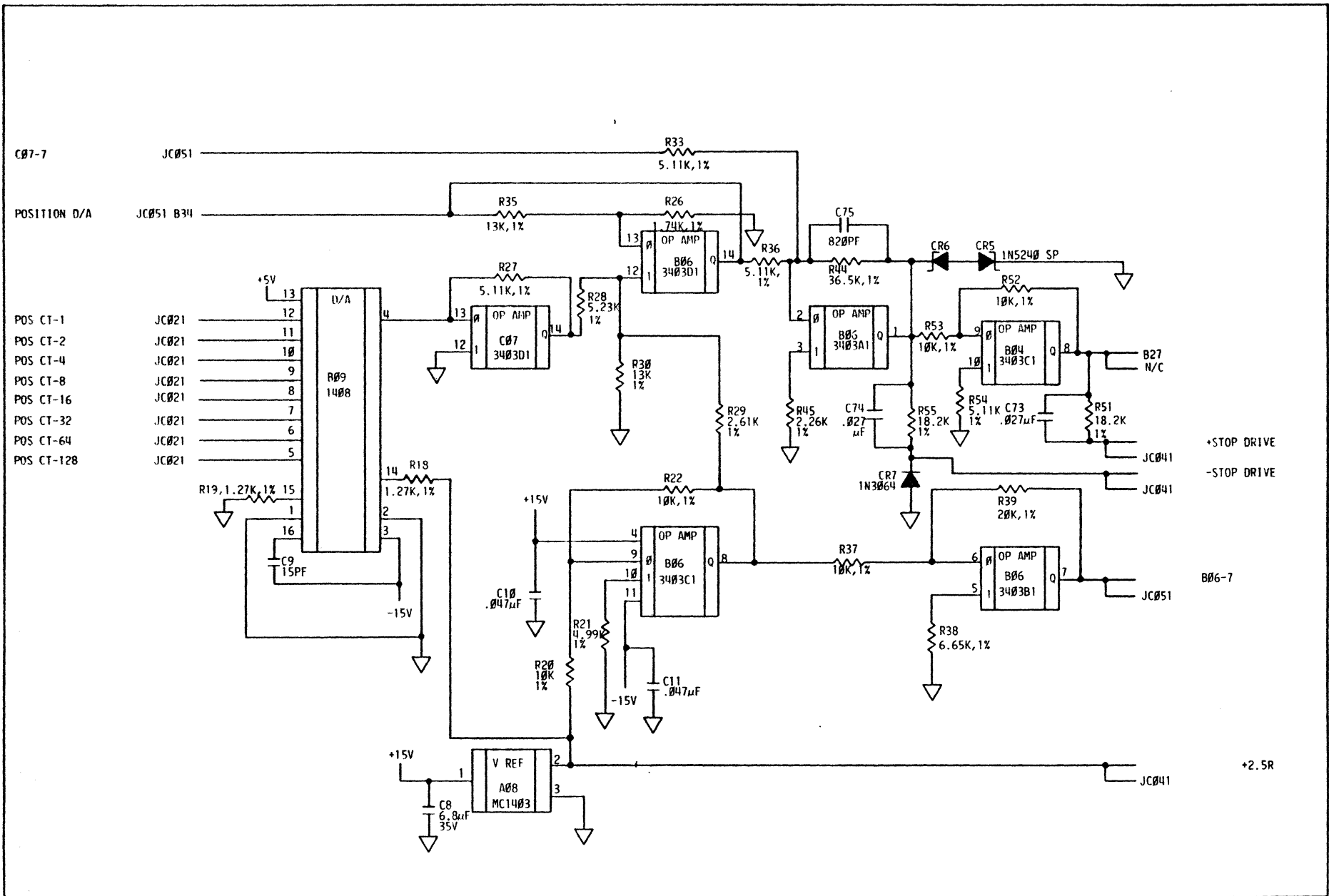
SPEED	C5	C7	R11	R13	R14	R15	R32
751PS	.047	.047	1K	44.2K	1K	44.2K	26.1K
1251PS	.027	.027	7.68K	44.2K	7.68K	44.2K	36.5K

*SPEED RELATED COMPONENTS

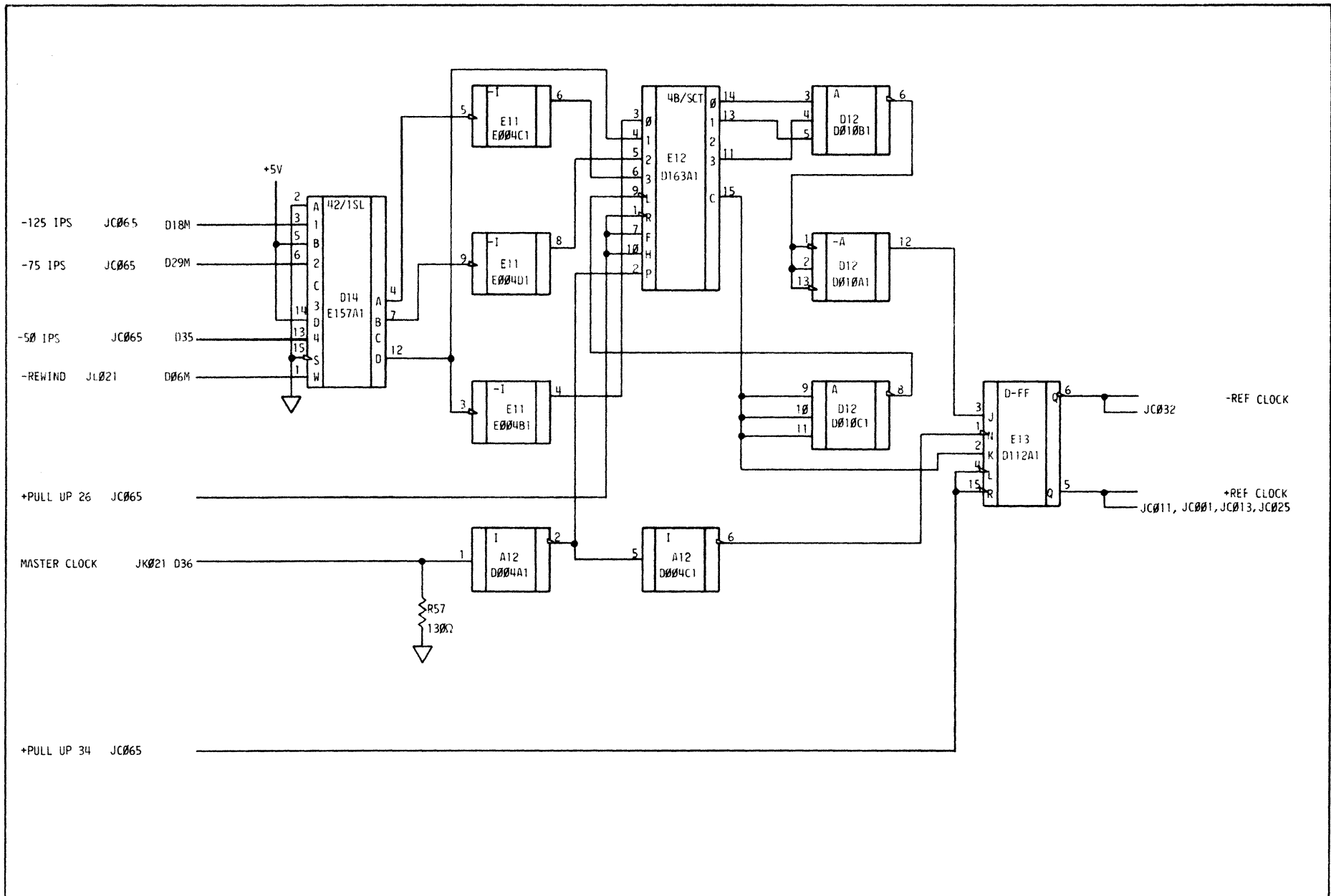


- NOTES: UNLESS OTHERWISE SPECIFIED
1. RESISTORS ARE 1/4W, 5% AND VALUES ARE IN OHMS.
 2. ALL CAPACITORS ARE IN MICROFARADS.

CAPSTAN STOP PROFILE GENERATOR AND POSITION D/A			
PREV. E.C.	44756	MACH.	1950
PREV. E.C.	NONE	VERS.	
DATE	7-2-82	GBL. ROT.	
CD. LOC.	C2	CD. P.N.	
GATE	1A	CD. TYPE	JC
FRAME		PG. P.N.	4022726-01



J C 0 5 5	NOTES: UNLESS OTHERWISE SPECIFIED.				J C 0 5 5
	1. RESISTORS ARE 1/4W, 5% AND VALUES ARE IN OHMS, 2. ALL CAPACITORS ARE IN MICROFARADS.				
PRES. E.C. 49251 PREV. E.C. 44756 DATE 7-26-83		MACH. 1950 VERS. GBL. ROT.		CD. LOC. C2 GATE 1A FRAME	
GAF Polytrace 033		CAPSTAN STOP PROFILE GENERATOR AND POSITION D/A CD. P.N. 4022640-02 PG. P.N. 4022640-02			



NOTES: UNLESS OTHERWISE SPECIFIED.

1. RESISTORS ARE 1/4W, 5% AND VALUES ARE IN OHMS.
2. ALL CAPACITORS ARE IN MICROFARADS.



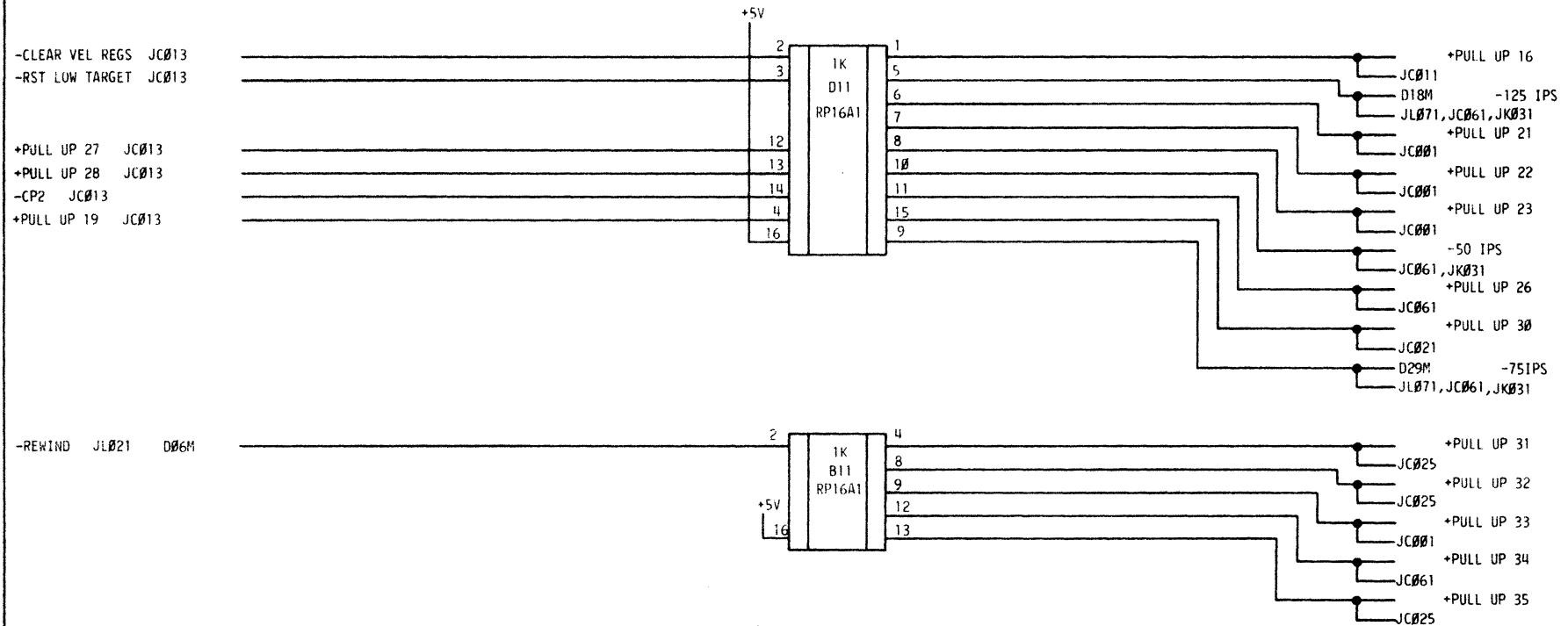
CAPSTAN REF CLOCK

PRES. E.C. 44756
 PREV. E.C. NONE
 DATE 7-2-82

MACH. 1950
 VERS.
 GBL. ROT.

CD. LOC. C2
 GATE 1A
 FRAME

CD. P.N. JC
 CD. TYPE JC
 PG. P.N. 4022727-01



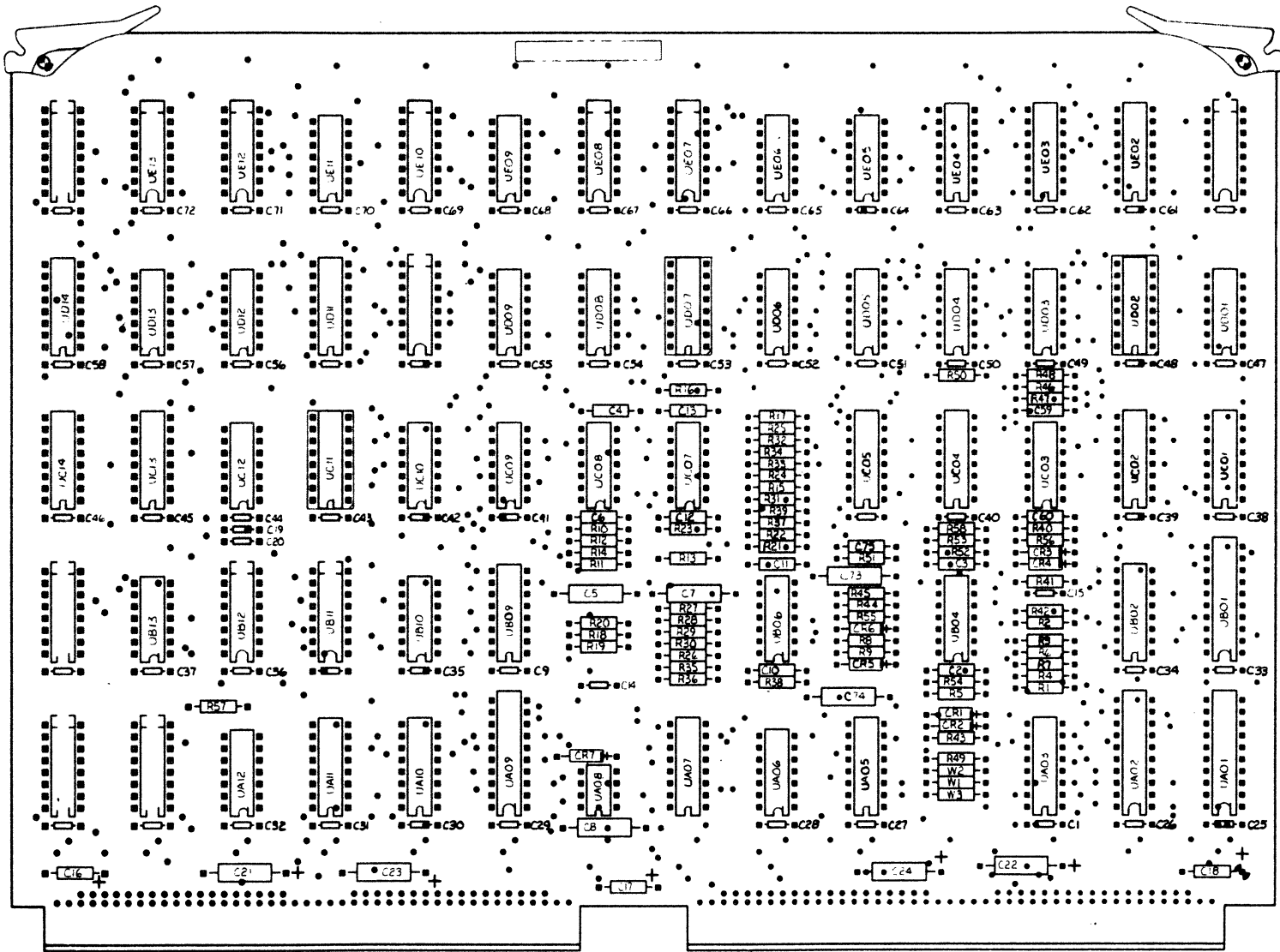
NOTES: UNLESS OTHERWISE SPECIFIED.

1. RESISTORS ARE 1/4W, 5% AND VALUES ARE IN OHMS.
2. ALL CAPACITORS ARE IN MICROFARADS.

PREV. E.C. 44756 DATE 7-2-82		MACH. VERS. 1950 GBL. ROT.		CD. LOC. GATE FRAME C2 iA		CD. P.N. CD. TYPE JC PG. P.N. 4022641-01		J C 0 6 5
PULL-UPS								

ASSEMBLY PARTS LIST

DIV.		ASSEMBLY NUMBER		CD	REV.	DWG.	DESCRIPTION			MC	STATUS	STATUS DATE		FILE DATE			
0500		401257104		0	H	N	SYS LGC GP, JC, MULTI PN'S, PC			N	REL	07-20-83		1950 07-25-83			
T	FIND NO	LI	PART NUMBER	CD	M	QUANTITY	U/M	PART DESCRIPTION			MC	YLD	E.C. NO. IN	E.C. NO. OUT	S/N	WK IN	WK OUT
	000	01	401267804	3		REF	PC	CD LGC, AB001, JC, PC			D						
	001	01	401231102	5		REF	PC	SYS LGC, JC001, PC			D			44756			8231
	001	02	402272101	5		REF	PC	SYS LGC, JC001, PC			D		44756			8231	
	011	01	401231203	1		REF	PC	SYS LGC, JC011, PC			D			44756			8231
	011	02	402272201	3		REF	PC	SYS LGC, JC011, PC			D		44756	49251		8231	8330
	011	03	402272202	1		REF	PC	SYS LGC, JC011, PC			D		49251			8330	
	012	01	402263401	0		REF	PC	SYS LGC, JC012, PC			D		44756			8231	
	013	01	402263501	7		REF	PC	SYS LGC, JC013, PC			D		44756	49251		8231	8330
	013	02	402263502	5		REF	PC	SYS LGC, JC013, PC			D		49251			8330	
	021	01	401268901	6		REF	PC	SYS LGC, JC021, PC			D			44756			8231
	021	02	402272301	1		REF	PC	SYS LGC, JC021, PC			D		44756			8231	
	025	01	402263401	5		REF	PC	SYS LGC, JC025, PC			D		44756	49251		8231	8330
	025	02	402263402	3		REF	PC	SYS LGC, JC025, PC			D		49251			8330	
	031	01	401231404	5		REF	PC	SYS LGC, JC031, PC			D			44756			8231
	031	02	402272401	9		REF	PC	SYS LGC, JC031, PC			D		44756	49251		8231	8330
	031	03	402272402	7		REF	PC	SYS LGC, JC031, PC			D		49251			8330	
	032	01	402263701	3		REF	PC	SYS LGC, JC032, PC			D		44756	49251		8231	8330
	032	02	402263702	1		REF	PC	SYS LGC, JC032, PC			D		49251			8330	
	033	01	402263801	1		REF	PC	SYS LGC, JC033, PC			D		44756			8231	
	041	01	401269003	0		REF	PC	SYS LGC, JC041, PC			D		44546	44756		8147	8231
	041	02	402272801	0		REF	PC	SYS LGC, JC041, PC			D		44756			8231	
	042	01	402253901	9		REF	PC	SYS LGC, JC042, PC			D		44756			8231	
	051	01	401231603	2		REF	PC	SYS LGC, JC051, PC			D			44756			8231
	051	02	402272601	4		REF	PC	SYS LGC, JC051, PC			D		44756			8231	
	055	01	402264001	7		REF	PC	SYS LGC, JC055, PC			D		44756	49251		8231	8330
	055	02	402264002	5		REF	PC	SYS LGC, JC055, PC			D		49251			8330	
	061	01	401259103	8		REF	PC	SYS LGC, JC061, PC			D			44756			8231



NOTE: CARD P/N SPEED

401249304 75 IPS
401230308 125 IPS

64

JC CARD, CAPSTAN CONTROL CARD

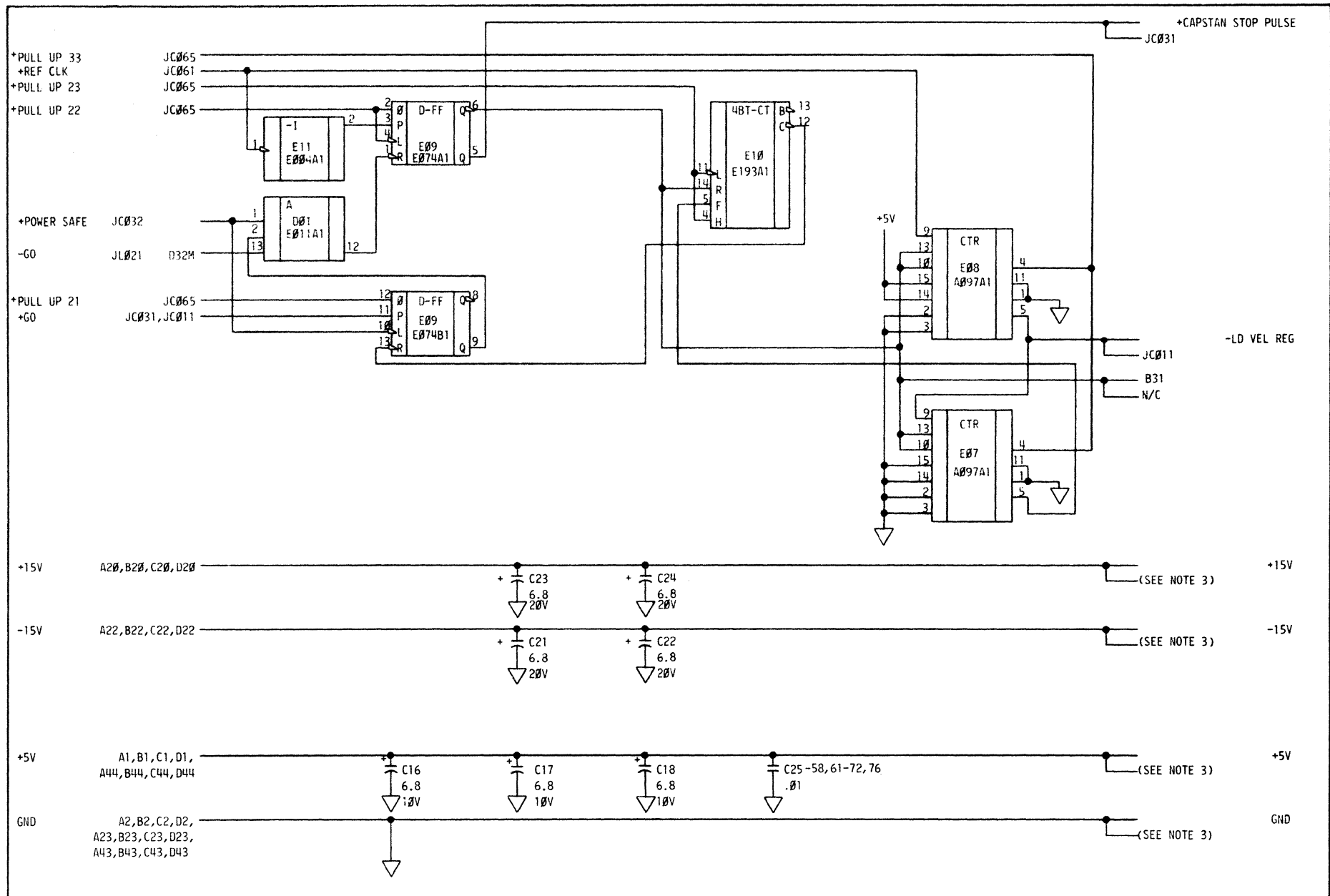
PREV. E.C. 44546
PREV. E.C. 44375
DATE 9-21-81

MACH. 1950
VERS.
OBL. ROT.

CD. LOC. C2
GATE FRAME

CD. RN. SEE NOTE
CD. TYPE JC
PG. RN. 4012678-04

A
B
C
D
E
F

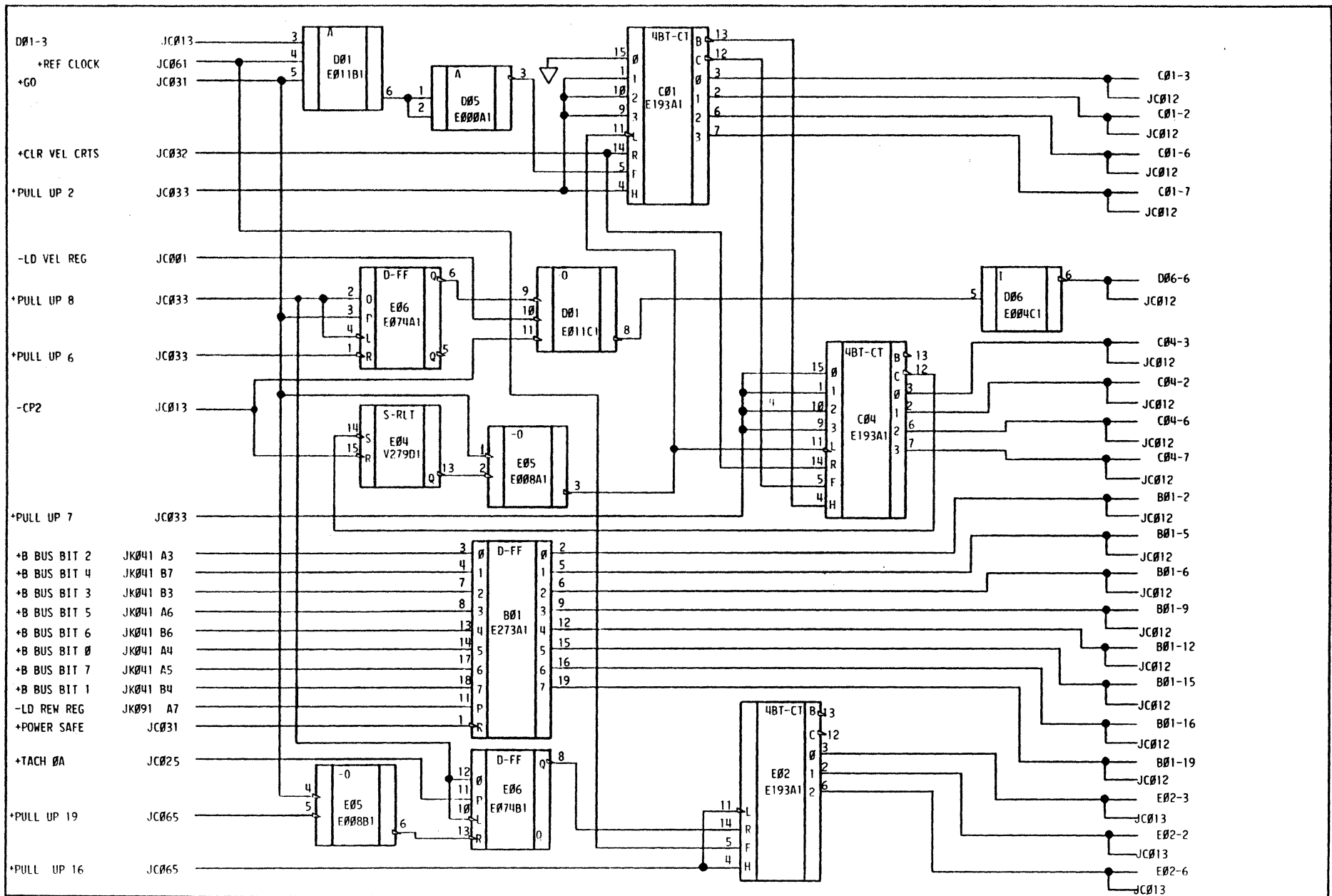


NOTES: UNLESS OTHERWISE SPECIFIED

1. RESISTORS ARE 1/4W, 5% AND VALUES IN OHMS.
2. ALL CAPACITORS ARE IN MICROFARADS.
3. THESE POINTS ARE CONNECTED TO INTERNAL POWER OR GROUND PLANES.

CAPSTAN STOP PULSE AND VOLTAGE DISTRIBUTION

PRES. E.C. 44756 PREV. E.C. NONE DATE 7-2-82	MACH. 1950 VERS. GBL. ROT.	CD. LOC. C2 GATE 1A FRAME	CD. PN. JC CD. TYPE 4022721-01 PG. PN.
--	----------------------------------	---------------------------------	--



NOTES: UNLESS OTHERWISE SPECIFIED

1. RESISTORS ARE 1/4W, 5% AND VALUES ARE IN OHMS.
2. ALL CAPACITORS ARE IN MICROFARADS.



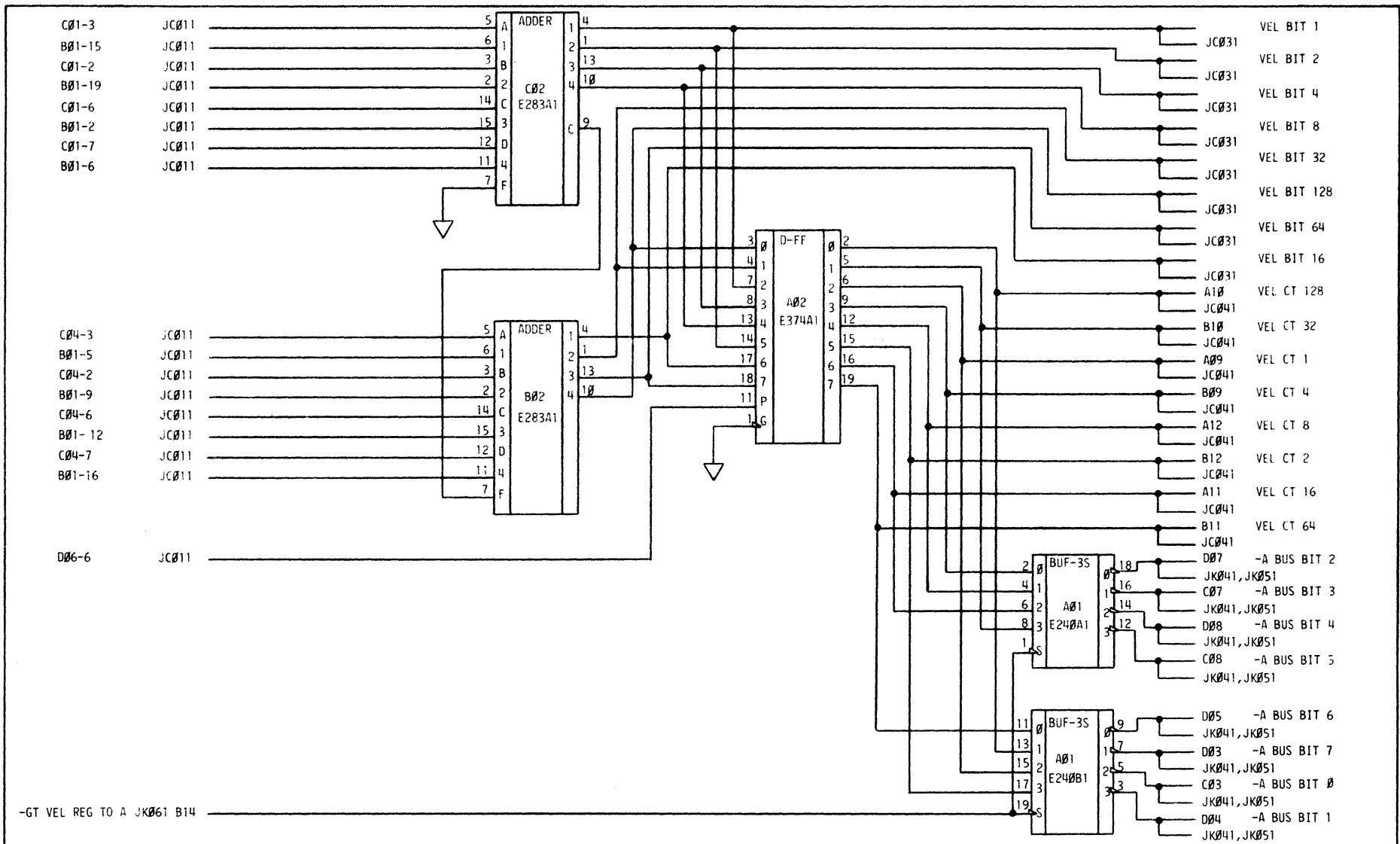
CAPSTAN VELOCITY AND REWIND CONTROL

PREV. E.C. 49251
 PREV. E.C. 44756
 DATE 7-26-83

MACH. 195Ø
 VERS.
 GBL. ROT.

CD. LOC. C2
 GATE FRAME 1A

CD. P.N. JC
 CD. TYPE JC
 PG. P.N. 4Ø22722-Ø2



NOTES: UNLESS OTHERWISE SPECIFIED

1. RESISTORS ARE 1/4W, 5% AND VALUES ARE IN OHMS.
2. ALL CAPACITORS ARE IN MICROFARADS.

CAPSTAN VELOCITY AND REWIND CONTROL

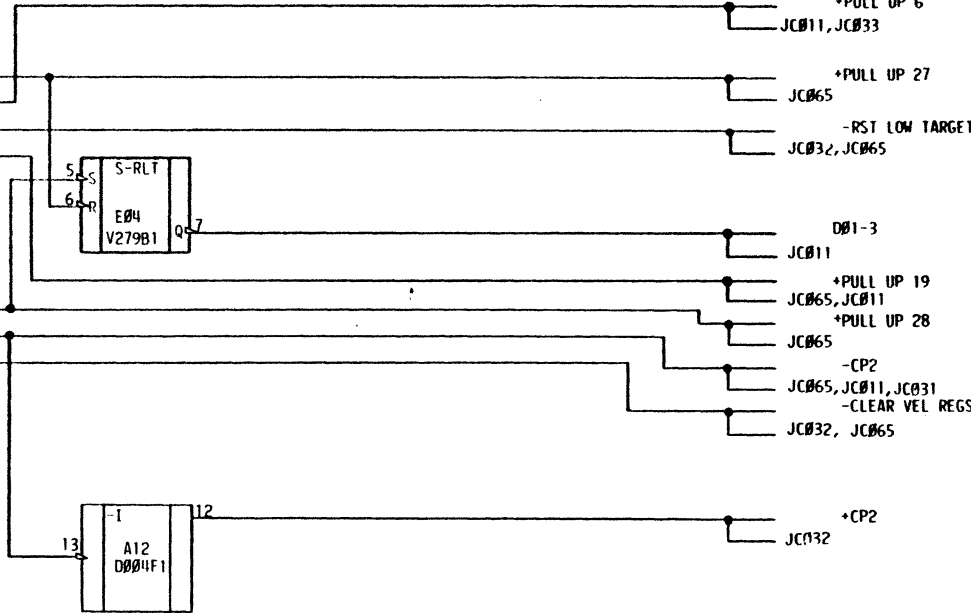
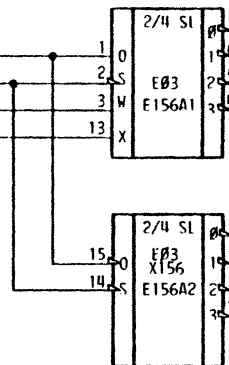
PRES. E.C. 44756 PREV. E.C. NONE DATE 7-2-82	MACH. VERS. 1950 GBL. ROT.	CD. LOC. C2 GATE FRAME 1A	CD. P.N. JC CD. TYPE JC PG. P.N. 4022634-01
--	-------------------------------	------------------------------	---

JC012

JC012

E02-6
 +REF CLOCK
 E02-2
 E02-3

JC011
 JC061
 JC011
 JC011



+PULL UP 6
 JC011, JC033
 +PULL UP 27
 JC065
 -RST LOW TARGET
 JC032, JC065
 D01-3
 JC011
 +PULL UP 19
 JC065, JC011
 +PULL UP 28
 JC065
 -CP2
 JC065, JC011, JC031
 -CLEAR VEL REGS
 JC032, JC065
 +CP2
 JC032

NOTES: UNLESS OTHERWISE SPECIFIED

1. RESISTORS ARE 1/4W, 5% AND VALUES ARE IN OHMS.
2. ALL CAPACITORS ARE IN MICROFARADS.

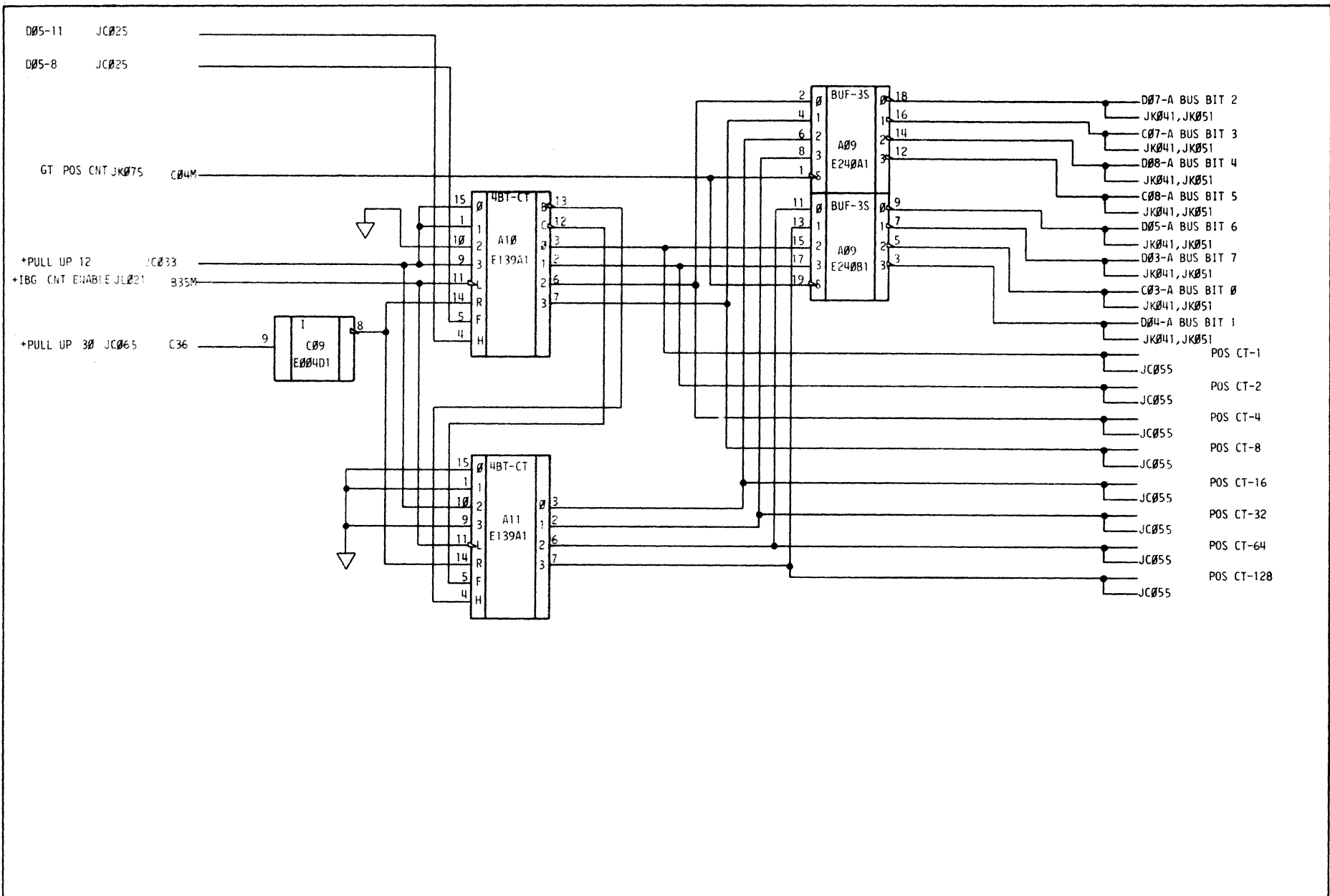
CAPSTAN VELOCITY AND REWIND CONTROL

PRES. E.C. 49251
 PREV. E.C. 44756
 DATE 7-26-83

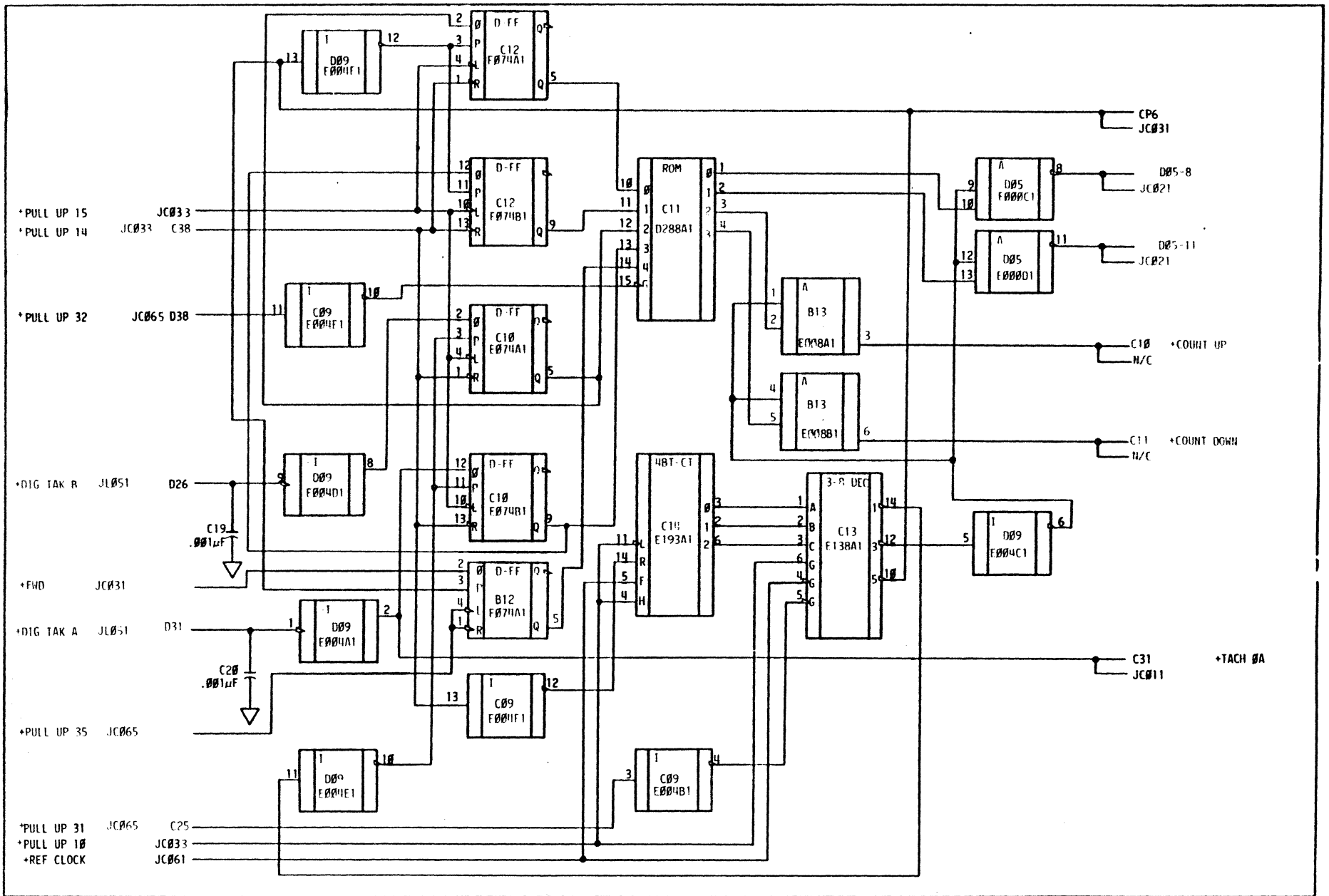
MACH. 1950
 VERS.
 SBL. ROT.

CD. LOC. C2
 GATE 1A
 FRAME

CD. P.N.
 CD. TYPE JC
 PG. P.N. 4022635-02



J C 0 2 1	NOTES: UNLESS OTHERWISE SPECIFIED	CAPSTAN LOCK CONTROL, IBG REG			J C 0 2 1
	1. RESISTORS ARE 1/4W, 5% AND VALUES ARE IN OHMS. 2. ALL CAPACITORS ARE IN MICROFARADS.	PRES. E.C. 44756 PREV. E.C. NONE DATE 7-2-82	MACH. 1950 VERS. GBL. ROT.	CD. LOC. C2 GATE 1A FRAME	



NOTES: UNLESS OTHERWISE SPECIFIED

1. RESISTORS ARE 1/4W, 5% AND VALUES ARE IN OHMS.
2. ALL CAPACITORS ARE IN MICROFARADS.

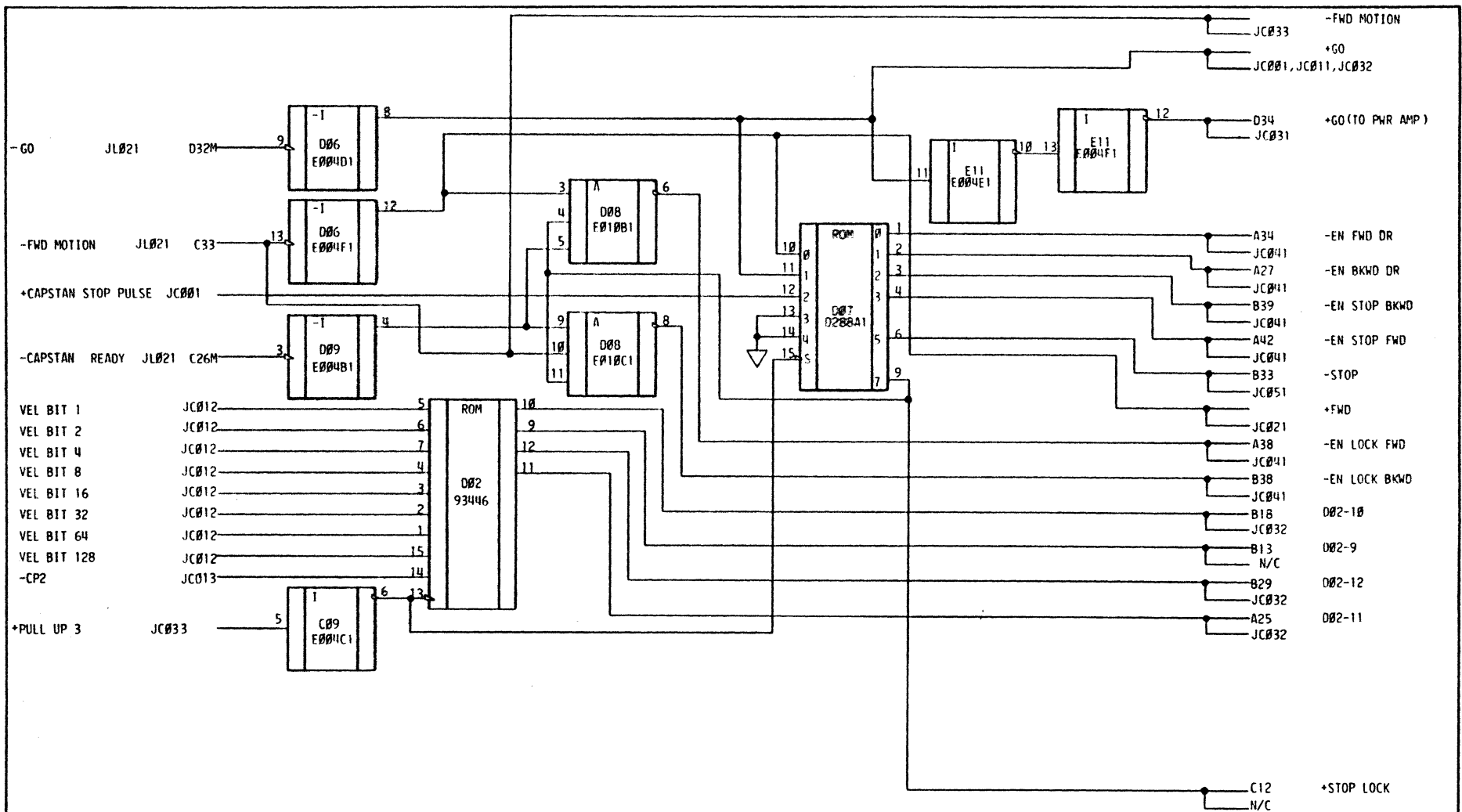
CAPSTAN LOCK CONTROL, IBG REG

PRES. E.E.C. 49251
 PREV. E.E.C. 111756
 DATE 7-26-83

MACH. 195B
 VERS. 195B
 OBL. ROT.

CD. LOC. C2
 GATE 1A
 FRAME

CD. P.N. JC
 CD. TYPE JC
 PG. RN. 4922684-02



NOTES: UNLESS OTHERWISE SPECIFIED

1. RESISTORS ARE 1/4W, 5% AND VALUES ARE IN OHMS.
2. ALL CAPACITORS ARE IN MICROFARADS.

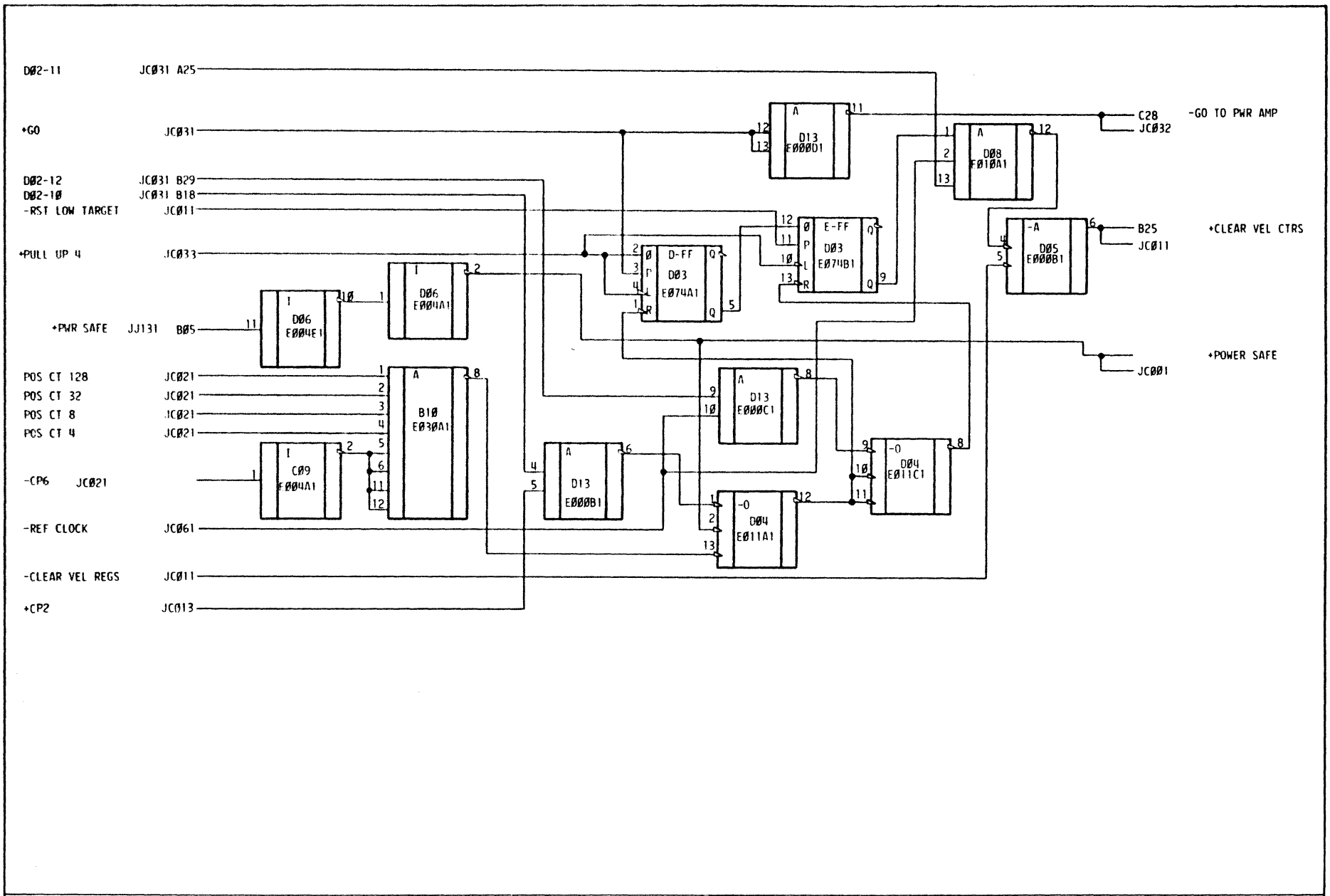
LOW TARGET CONTROL AND COMMAND DECODE

PRES. E.C. 49251
 PREV. E.C. 44756
 DATE 7-26-83

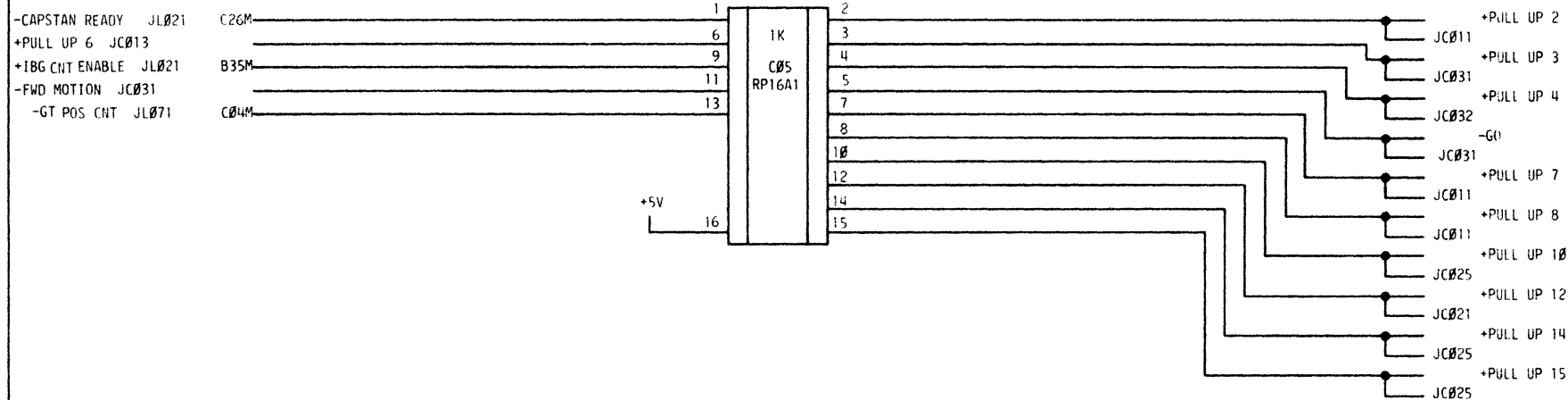
MACH. 1950
 VERS.
 GBL. ROT.

CD. LOC. C2
 GATE FRAME 1A

CD. P.N.
 CD. TYPE JC
 PG. P.N. 4022724-02



J C 0 3 2	LOW TARGET CONTROL AND COMMAND DECODE				J C 0 3 2				
	PREV. E.C.	49251	MACH. VERS.	1950		CD. LOC.	C2	CD. P.N.	JC
	DATE	4/17/56	GBL. ROT.			GATE FRAME	1A	CD. TYPE	JC
		7-26-83						PG. P.N.	4022637-02



NOTES: UNLESS OTHERWISE SPECIFIED

1. RESISTORS ARE 1/4W, 5% AND VALUES ARE IN OHMS.
2. ALL CAPACITORS ARE IN MICROFARADS.

PULL-UPS

PRES. E.C. 44756
 PREV. E.C. NONE
 DATE 7-2-82

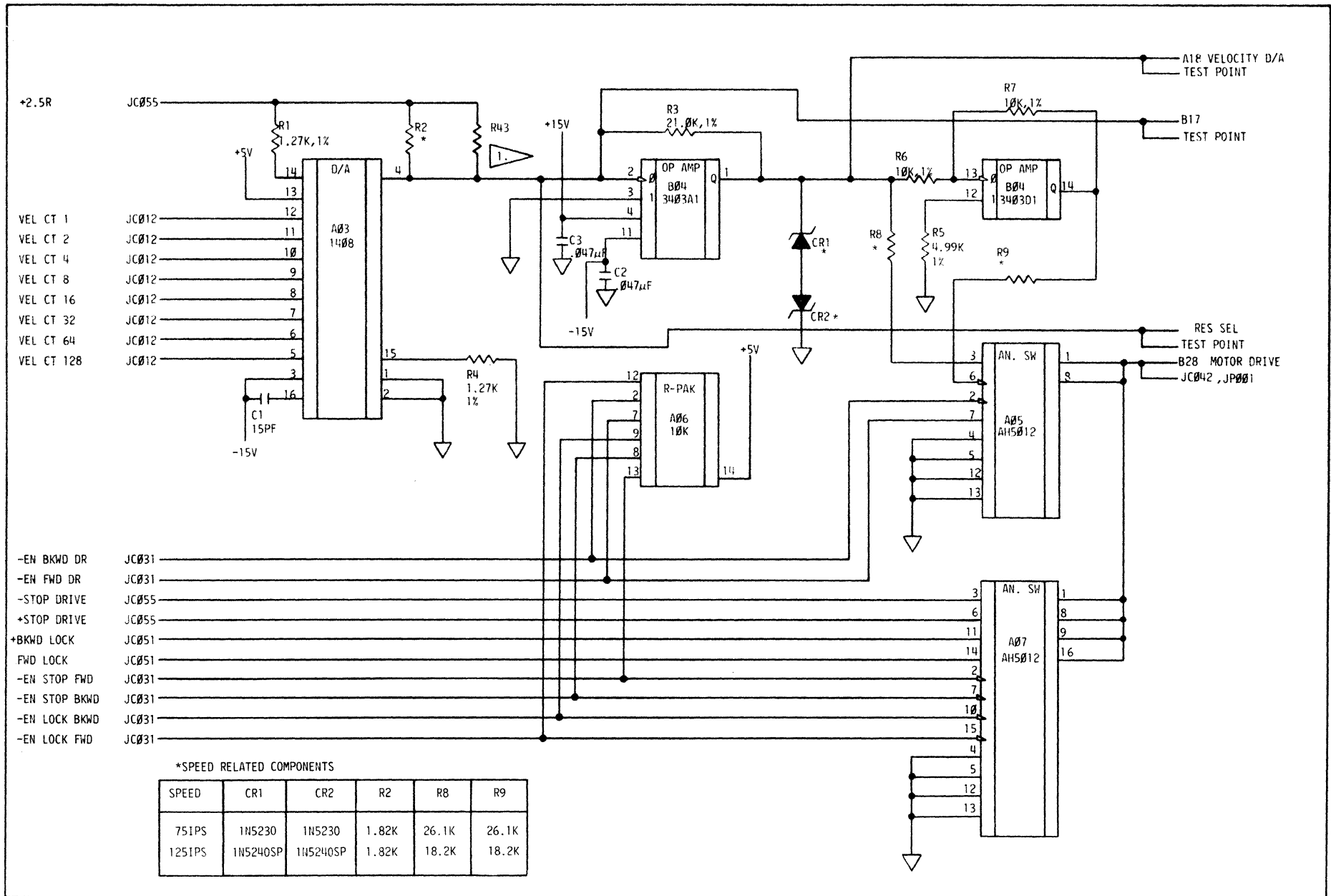
MACH. 1950
 VERS.
 GBL. ROT.

CD. LOC. C2
 GATE 1A
 FRAME

CD. P.N.
 CD. TYPE JC
 PG. P.N. 4022638-01

J
 C
 0
 3
 3

J
 C
 0
 3
 3



NOTES: UNLESS OTHERWISE SPECIFIED.
COMPONENTS VALUE TO BE SELECTED IN CARD TEST.

- RESISTORS ARE 1/4W, 5% AND VALUES ARE IN OHMS.
- ALL CAPACITORS ARE IN MICROFARADS.

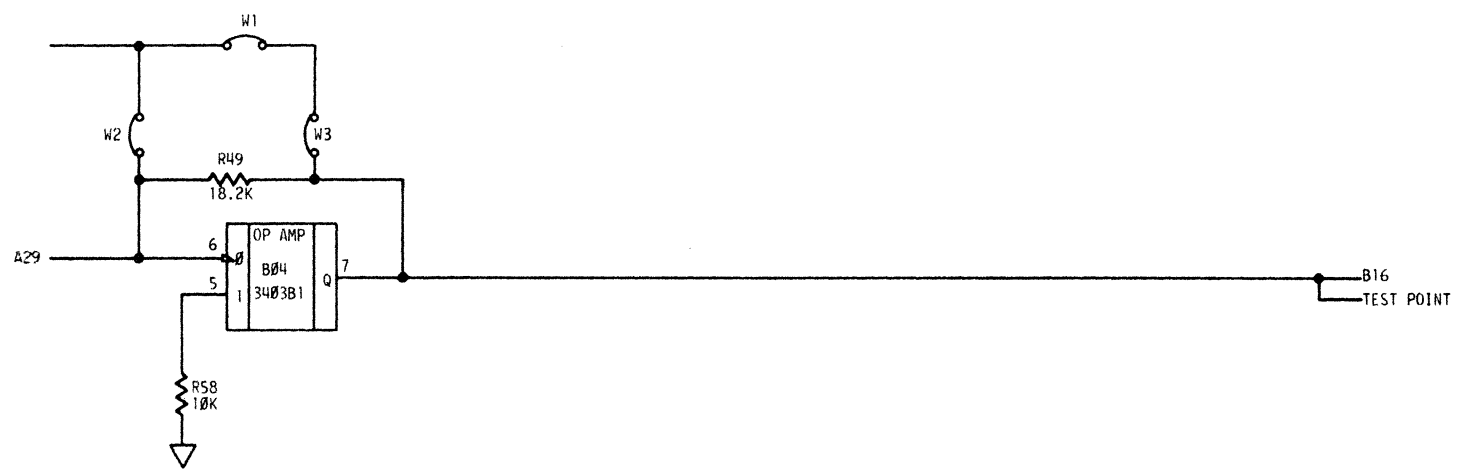
DATE 7-2-82 PREV. E.C. NONE PRES. E.C. 44756		MACH. VERS. 1950 GBL. ROT.	CD. LOC. GATE FRAME C2 1A	CD. P.N. CD. TYPE PG. P.N. JC 40227 28-01
---	--	---	----------------------------------	--

J C 0 4 1

J C 0 4 1

+MOTOR DRIVE JC041

LO Z MODE (N.C.)



NOTES: UNLESS OTHERWISE SPECIFIED

1. RESISTORS ARE 1/4W, 5% AND VALUES ARE IN OHMS.
2. ALL CAPACITORS ARE IN MICROFARADS.

MOTOR DRIVE CONTROL

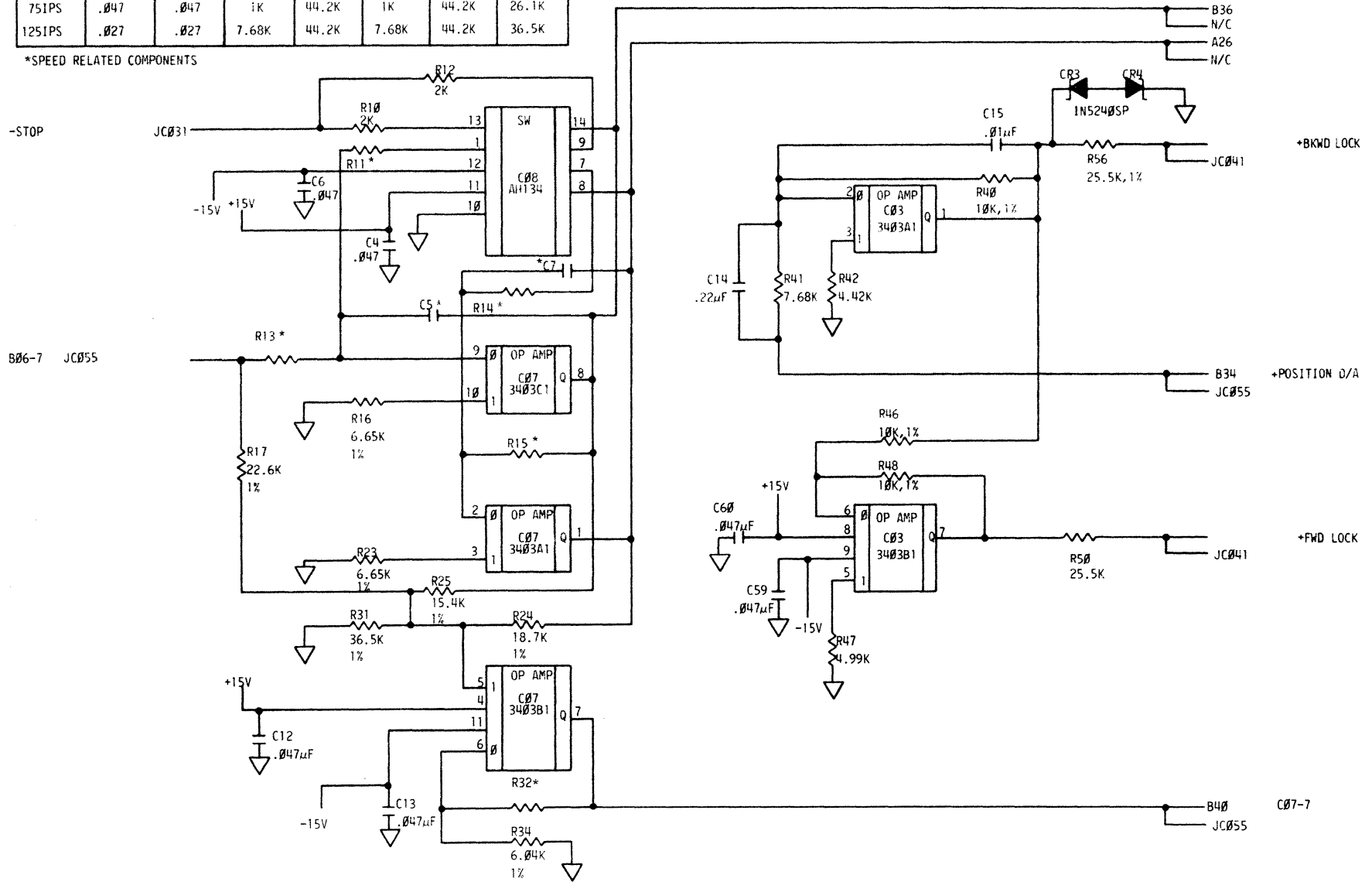
PRES. E.C.	44756	MACH. VERS.	1950	CD. LOC.	C2	CD. P.N.	JC
PREV. E.C.	NONE	GBL. ROT.		GATE FRAME	1A	CD. TYPE	JC
DATE	7-2-82					PG. PN.	4022639-01

JC041

2

SPEED	C5	C7	R11	R13	R14	R15	R32
75IPS	.047	.047	1K	44.2K	1K	44.2K	26.1K
125IPS	.027	.027	7.68K	44.2K	7.68K	44.2K	36.5K

*SPEED RELATED COMPONENTS



NOTES: UNLESS OTHERWISE SPECIFIED

1. RESISTORS ARE 1/4W, 5% AND VALUES ARE IN OHMS.
2. ALL CAPACITORS ARE IN MICROFARADS.

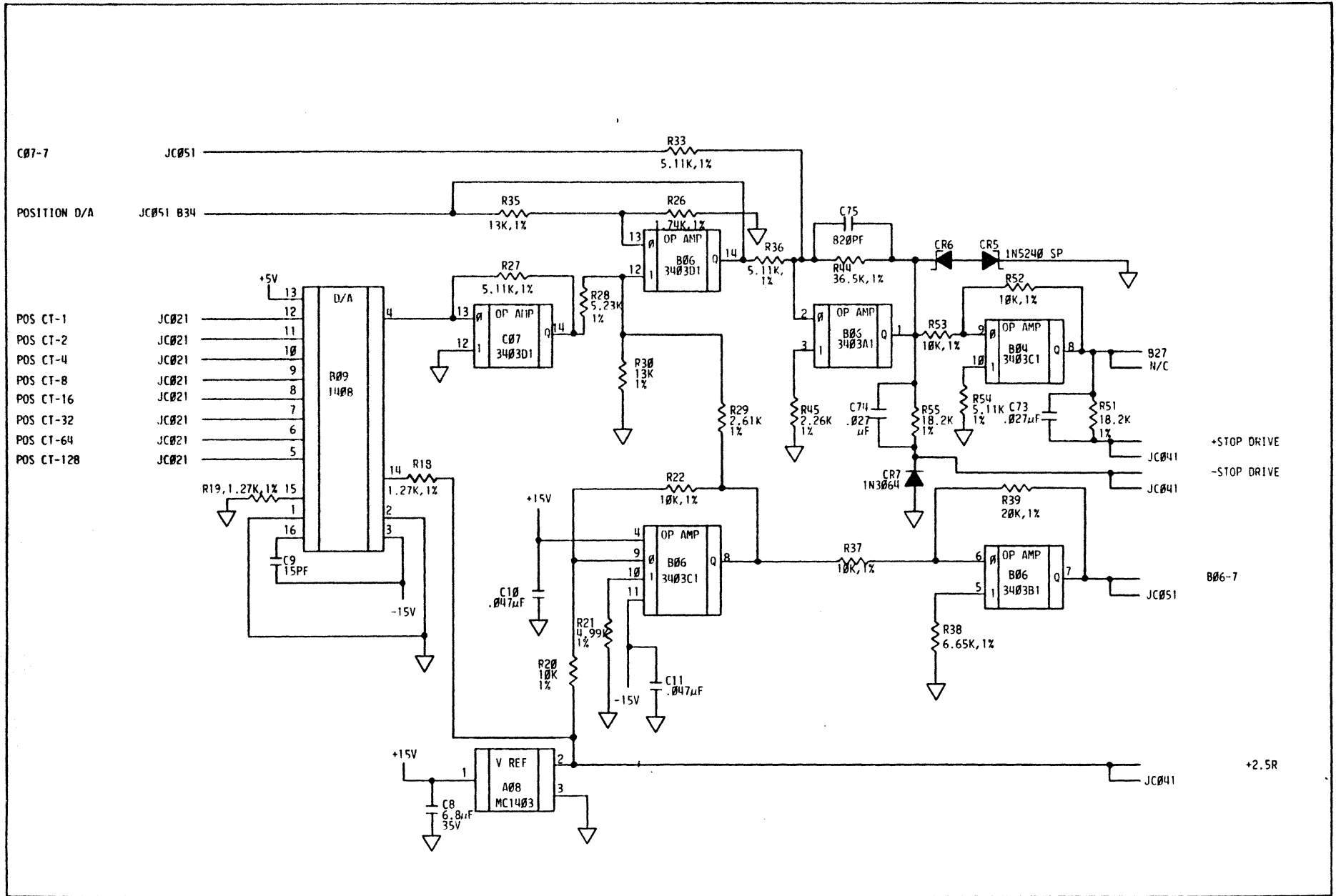
44756 MACH. 1950 CD. LOC. C2
 NONE PREV. E.C. DATE 7-2-82 GBL. ROT. CD. P.N. JC
 PG. P.N. 4022726-01

PREV. E.C. NONE
 DATE 7-2-82

MACH. 1950
 VERS. GBL. ROT.

CD. LOC. C2
 GATE 1A
 FRAME

CD. P.N. JC
 CD. TYPE JC
 PG. P.N. 4022726-01



NOTES: UNLESS OTHERWISE SPECIFIED.

1. RESISTORS ARE 1/4W, 5% AND VALUES ARE IN OHMS.
2. ALL CAPACITORS ARE IN MICROFARADS.

CAPSTAN STOP PROFILE GENERATOR AND POSITION D/A

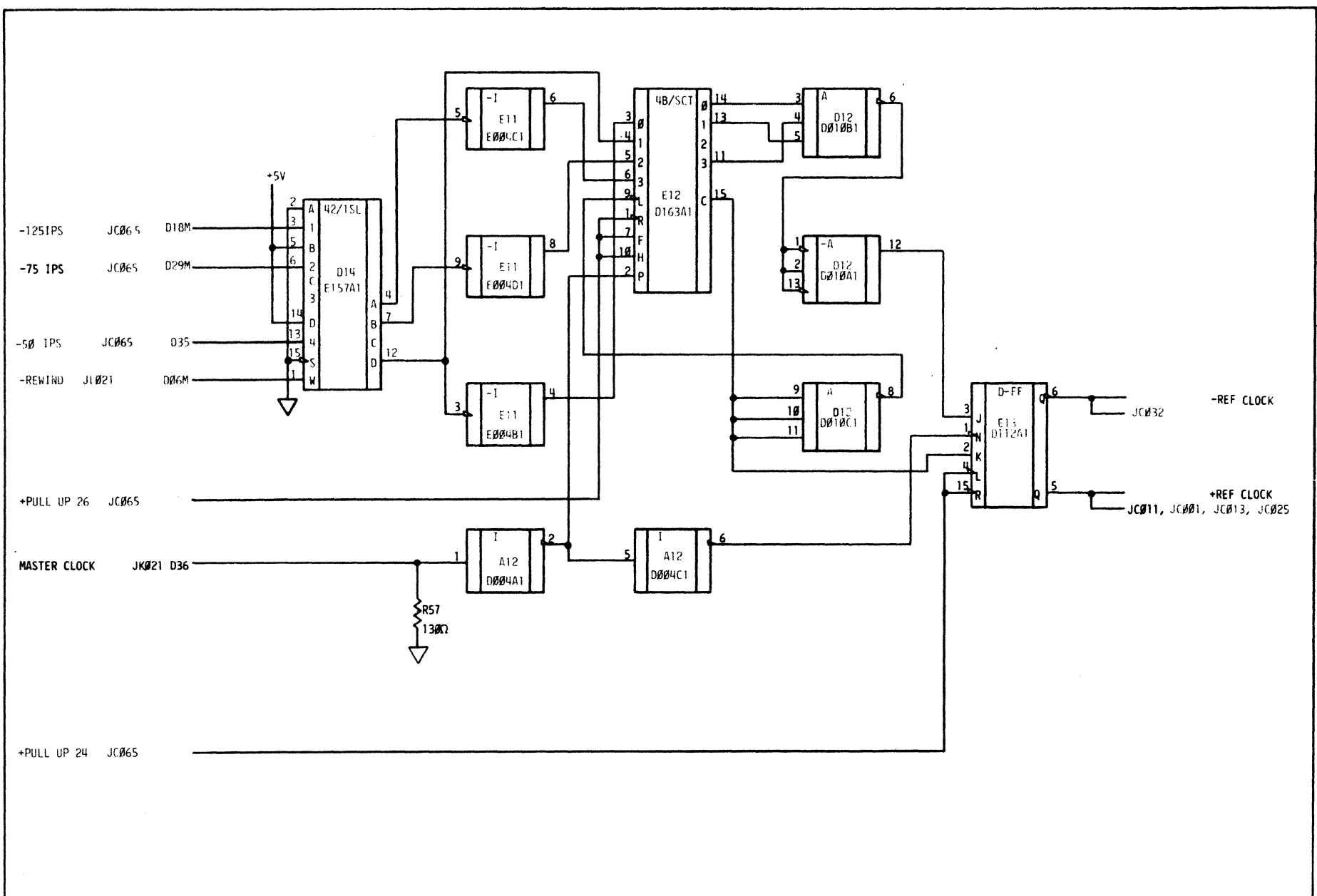
PREV. E.C. 49251
 PREV. E.C. 44756
 DATE 7-26-83

MACH. 1950
 VERS.
 GBL. ROT.

CD. LOC. C2
 GATE FRAME 1A

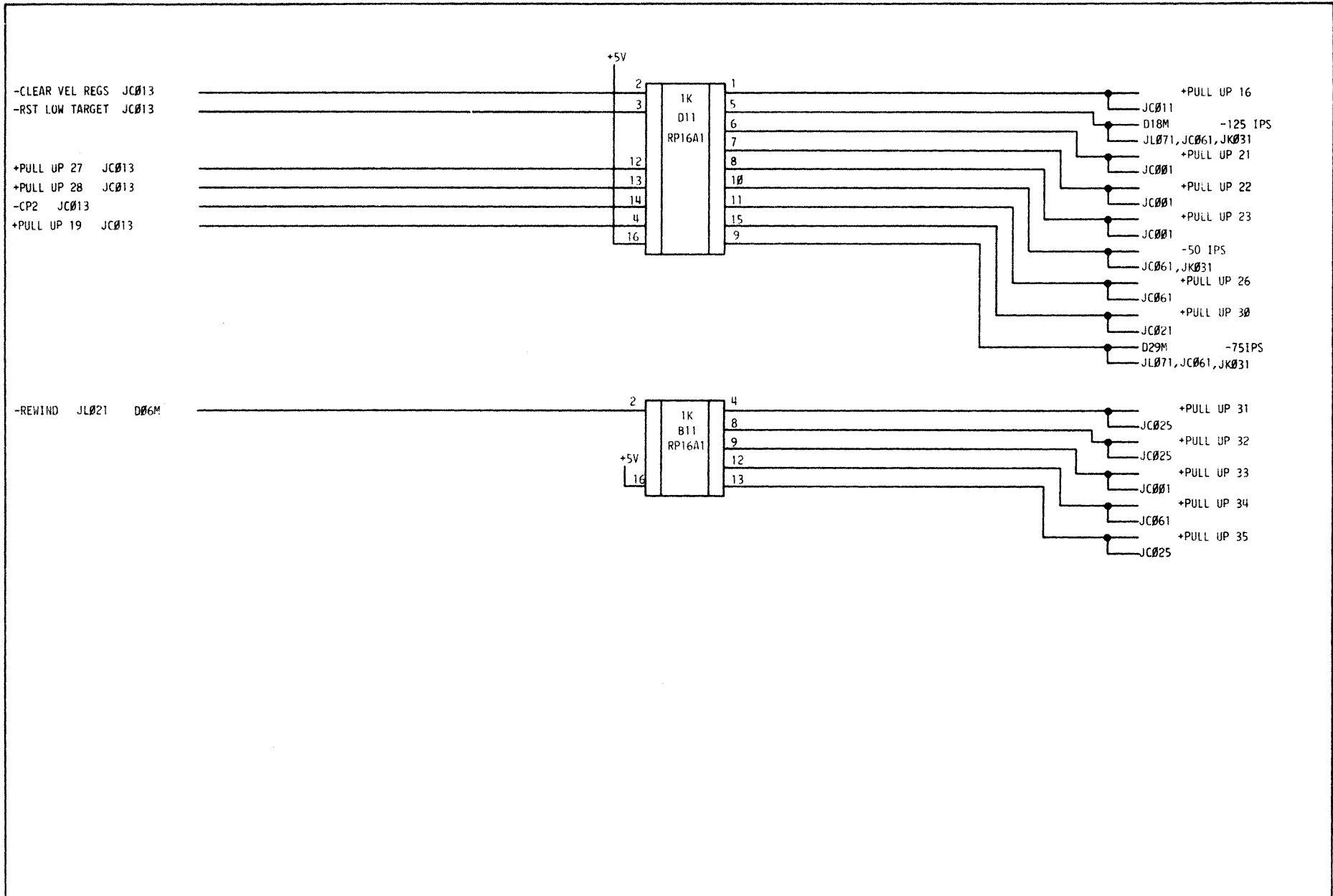
CD. P.N. JC
 CD. TYPE JC
 PG. P.N. 4022640-02

J
C
0
5
5



NOTES: UNLESS OTHERWISE SPECIFIED.
 1. RESISTORS ARE 1/4W, 5% AND VALUES ARE IN OHMS.
 2. ALL CAPACITORS ARE IN MICROFARADS.

CAPSTAN REF CLOCK			
PREV. E.C.	44756	MACH.	1950
PREV. E.C.	NONE	VERS.	
DATE	7-2-82	GBL. ROT.	
CD. LOC.	C2	CD. R.N.	
GATE	1A	CD. TYPE	JC
FRAME		PG. PN.	4022729-01



J C 0 6 5	NOTES: UNLESS OTHERWISE SPECIFIED.	PULL-UPS			J C 0 6 5
	1. RESISTORS ARE 1/4W, 5% AND VALUES ARE IN OHMS. 2. ALL CAPACITORS ARE IN MICROFARADS.	PRES. E.C. 44756 PREV. E.C. NONE DATE 7-2-82	MACH. VERS. 1950 GBL. ROT.	CD. LOC. C2 GATE FRAME 1A	

ST

TECHNOLOGY CORP.

ASSEMBLY PARTS LIST

BOULEVARD

PRINT DATE	PAGE	E.C. NO.
11-23-82	1	901

DIV.	ASSEMBLY NUMBER	CD	REV.	DWG.	DESCRIPTION	MC	STATUS	STATUS DATE	FILE DATE					
0500	401566405	7	E	N	SYS LGC GP, MC, MULTI PN, PC	N	REL	11-18-82	1950 11-23-82					
T FIND NO	LI	PART NUMBER	CD	M	QUANTITY	U/M	PART DESCRIPTION	MC	YLD	E.C. NO. IN	E.C. NO. OUT	S/N	WK IN	WK OUT
000	01	401565205	2		REF	PC	CD LGC, UC, AM471, PC	D		44901			8248	
010	01	401565301	9		REF	PC	SYS LGC, UC010, PC	D						
011	01	401565401	7		REF	PC	SYS LGC, UC011, PC	D						
015	01	401565501	4		REF	PC	SYS LGC, UC015, PC	D						
020	01	401565602	0		REF	PC	SYS LGC, UC020, PC	D		44737			8232	
030	01	401565701	0		REF	PC	SYS LGC, UC030, PC	D						
035	01	401565801	8		REF	PC	SYS LGC, UC035, PC	D						
040	01	401565901	6		REF	PC	SYS LGC, UC040, PC	D						
045	01	401566001	4		REF	PC	SYS LGC, UC045, PC	D						
050	01	401566101	2		REF	PC	SYS LGC, UC050, PC	D						
055	01	401566201	0		REF	PC	SYS LGC, UC055, PC	D						
060	01	401566301	8		REF	PC	SYS LGC, UC060, PC	D						
500	01	402000203	8		REF	PC	CKT CD, MC, PC ASSY, 75-125 IPS	S		44901			8248	
							0013 TOTAL LINES							

LOC HA01	LOC HA93	LOC KA86	LOC KA79	LOC KA72	LOC KA65	LOC KA58	LOC KA51	LOC KA44	LOC KA38	LOC KA30	LOC KA23	LOC KA16	LOC HA09	LOC HA02
PN1IC:	PN1IC:	PN1IC:	PN1IC:	PN1IC:	PN1IC:	PN1IC:	PN1IC:E074	PN1IC:	PN1IC:	PN1IC:	PN1IC:	PN1IC:	PN1IC:	PN1IC:
							5UC035B6 6 3UC035J2 9							
GE2 GNDHA0 GE6 +SVHA0	PE2 GNDHA93 PE6 +SVHA93	NE2 GNDKA86 NE6 +SVKA86	ME2 GNDKA79 ME6 +SVKA79	LE2 GNDKA72 LE6 +SVKA72	KE2 GNDKA65 KE6 +SVKA65	JE2 GNDKA58 JE6 +SVKA58	7HE2 GNDKA51 HE6 +SVKA51	ICE2 GNDKA44 CE6 +SVKA44	FE2 GNDKA37 FE6 +SVKA37	EE2 GNDKA30 EE6 +SVKA30	DE2 GNDKA23 DE6 +SVKA23	CE2 GNDKA16 CE6 +SVKA16	BE2 GNDHA09 BE6 +SVHA09	AE2 GNDHA02 AE6 +SVHA02

LOC HA01	LOC HA93	LOC HA86	LOC HA81A0	LOC HA72	LOC HA69	LOC HA58	LOC HA55	LOC HA44	LOC HA37	LOC HA30	LOC HA23	LOC HA16	LOC HA09	LOC HA02
PN1IC:E138	PN1IC:	PN1IC:	PN1IC:U080	PN1IC:	PN1IC:R716	PN1IC:	PN1IC:K24	PN1IC:	PN1IC:	PN1IC:E004	PN1IC:	PN1IC:	PN1IC:	PN1IC:
7UC011DD9 9UC011DD8 10UC011DD7 11UC011DD5 12UC011DD3 13UC011DD4 14UC011DD2 15UC011DD1			1UC010CC		9UC011DF2 10UC011DF3 11UC011DF4 13UC011DF5 14UC011DF6 15UC011DF7 16UC011DF8 17UC011DF9		12+24			2UC010CD2 4UC010AL2 6UC010BL2 8UC011CJ2 10 12UC040BC2				
8ID2 GNDHA0 ID6 +SVHA0	PD2 GNDHA93 PD6 +SVHA93	ND2 GNDHA86 ND6 +SVHA86	291PD2 GNDHA79	LD2 GNDHA72 LD6 +SVHA72	12K02 GNDHA65	JD2 GNDHA58 JD6 +SVHA58	MD2 GNDHA51 MD6 +SVHA51	GD2 GNDHA44 GD6 +SVHA44	FD2 GNDHA37 FD6 +SVHA37	7ED2 GNDHA30 ED6 +SVHA30	DD2 GNDHA23 DD6 +SVHA23	CD2 GNDHA16 CD6 +SVHA16	BD2 GNDHA09 BD6 +SVHA09	AD2 GNDHA02 AD6 +SVHA02

LOC FA01	LOC FA93	LOC FA86	LOC FA79	LOC FA72	LOC FA65	LOC FA58	LOC FA51	LOC FA44	LOC FA37	LOC FA30	LOC FA23	LOC FA16	LOC FA09	LOC FA02
PN1IC:E112	PN1IC:E374	PN1IC:E393	PN1IC:U032	PN1IC:E158	PN1IC:E193	PN1IC:E374	PN1IC:G003	PN1IC:E273	PN1IC:J066	PN1IC:	PN1IC:	PN1IC:	PN1IC:	PN1IC:
5UC040D6 6UC040D2 7UC010DA2 9UC010DA8	2UC045CD2 5UC045CD3 6UC045CD4 9UC045CD5	3UC045A2 4UC045A3 5UC045A4 6UC045A5	3UC040EB 6UC040BB 8UC040CB 11UC011CB	4UC035BA2 7UC035BA3	2UC035CA 3UC035CA5 7UC035CA7 12UC035CA1 13UC035CA2	2UC020CA2 5UC020CA3 9UC020CA9 12UC020CA5 15UC020CA7 16UC020CA8 19UC020CA9	2UC045CK6 5UC050AD2 6UC050AD3 9UC050AD5 12UC050AD8 15UC050AD7 16UC050AD8 19UC050AD9	2UC050AD2 4UC050AD3 6UC050AD4 9UC050AD5 12UC050AD8 15UC050AD7 16UC050AD8 19UC050AD9						
8IC2 GNDFA0 IC6 +SVFA0	10PC2 GNDFA93 PC6 +SVFA93	7MC2 GNDFA86 MC6 +SVFA86	7AC2 GNDFA79 AC6 +SVFA79	8LC2 GNDFA72 LC6 +SVFA72	8KC2 GNDFA65 KC6 +SVFA65	10JC2 GNDFA58 JC6 +SVFA58	3HC2 GNDFA51 HC6 +SVFA51	10GC2 GNDFA44 GC6 +SVFA44	2FC2 GNDFA37 FC6 +SVFA37	1EC2 GNDFA30 EC6 +SVFA30	DC2 GNDFA23 DC6 +SVFA23	CC2 GNDFA16 CC6 +SVFA16	BC2 GNDFA09 BC6 +SVFA09	AC2 GNDFA02 AC6 +SVFA02

LOC DA01	LOC DA93	LOC DA86	LOC DA79	LOC DA72	LOC DA65	LOC DA58	LOC DA51	LOC DA44	LOC DA37	LOC DA30	LOC DA23	LOC DA16	LOC DA09	LOC DA02
PN1IC:D112	PN1IC:E374	PN1IC:E393	PN1IC:RP16	PN1IC:E153	PN1IC:E240	PN1IC:E244	PN1IC:	PN1IC:E004	PN1IC:SK14	PN1IC:	PN1IC:	PN1IC:	PN1IC:	PN1IC:
5UC010A6 6UC010A2 7UC010A8 9UC010A8	2UC045CA2 5UC045CA3 6UC045CA4 9UC045CA5	3UC045AA2 4UC045AA3 5UC045AA4 6UC045AA5	15 * ONLY * UNUSED * PINS *	7UC030DA6 9UC030DA8	3UC060EK5 5UC060EK4 7UC060EK3 9UC060EK2 12UC060EJ5 14UC060EJ4 16UC060EJ3 18UC060EJ2	3UC060EG5 5UC060EG4 7UC060EG3 9UC060EG2 12UC060EF5 14UC060EF4 16UC060EF3 18UC060EF2		2UC020CD2 4UC020CD3 6UC030CD2 8UC030CD3 10UC030EE2 12UC030DE2	07 * ONLY * UNUSED * PINS *					
8IB2 GNDDA0 IB6 +SVDA0	10PB2 GNDDA93 PB6 +SVDA93	7MB2 GNDDA86 MB6 +SVDA86	7AB2 GNDDA79 AB6 +SVDA79	8LB2 GNDDA72 LB6 +SVDA72	10KB2 GNDDA65 KB6 +SVDA65	10JB2 GNDDA58 JB6 +SVDA58	8HB2 GNDDA51 HB6 +SVDA51	7GB2 GNDDA44 GB6 +SVDA44	FB2 GNDDA37 FB6 +SVDA37	EB2 GNDDA30 EB6 +SVDA30	DB2 GNDDA23 DB6 +SVDA23	CB2 GNDDA16 CB6 +SVDA16	BB2 GNDDA09 BB6 +SVDA09	AB2 GNDDA02 AB6 +SVDA02

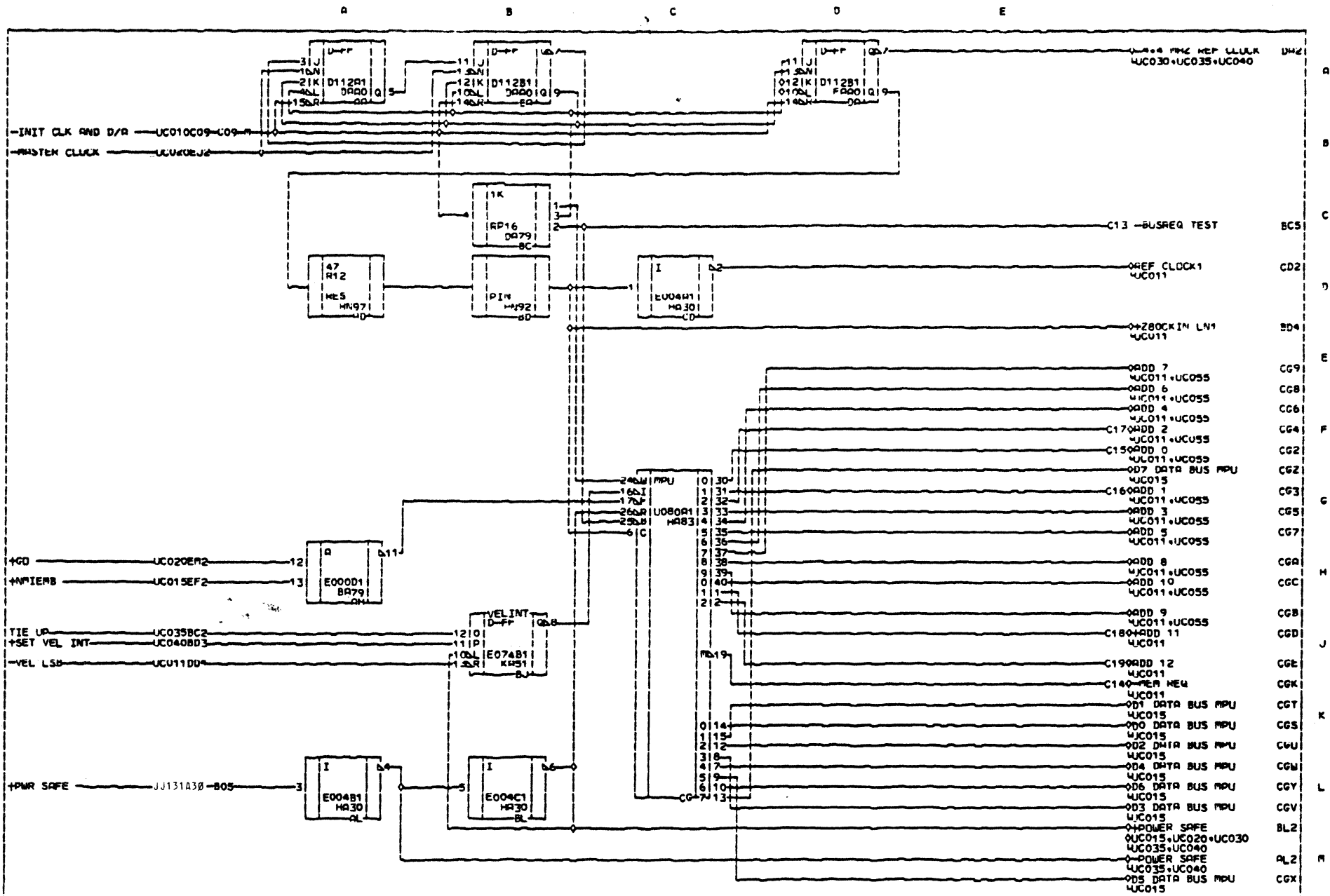
LOC BA01	LOC BA93	LOC BA86	LOC BA79	LOC BA72	LOC BA65	LOC BA58	LOC BA51	LOC BA44	LOC BA37	LOC BA30	LOC BA23	LOC BA16	LOC BA09	LOC BA02
PN1IC:D004	PN1IC:E244	PN1IC:	PN1IC:E000	PN1IC:E175	PN1IC:E193	PN1IC:E374	PN1IC:E273	PN1IC:	PN1IC:G324	PN1IC:G311	PN1IC:	PN1IC:	PN1IC:	PN1IC:
2 4UC020EH2 6UC020EJ2 8UC020EK2 10UC020EL2 12UC020EM2	3UC020DF5 5UC020DF4 7UC020DF3 9UC020DF2 11UC020DE4 13UC020DE3 15UC020DE2		3UC040CF2 6UC035AE2 8UC010AH2	2UC030BA6 3UC030BA2 7UC030BC6 10UC030BD6 11 14UC030BE2 15UC030BE6	2UC035CF6 3UC035CF5 6UC035CF7 7UC035CF8	2UC015EA2 3UC015EA3 6UC015EA4 9UC015EA5 12UC015EA6 15UC015EA7 16UC015EA8 19UC015EA9	2UC015EF2 3UC015EF3 6UC015EF4		1UC050BH6 7UC050EK6 8UC050CK6	7UC050EH2				
7QA2 GNDBA0 QA6 +SVBA0	10PA2 GNDBA93 PA6 +SVBA93	NA2 GNDBA86 NA6 +SVBA86	7RA2 GNDBA79 RA6 +SVBA79	8LA2 GNDBA72 LA6 +SVBA72	8KA2 GNDBA65 KA6 +SVBA65	10JA2 GNDBA58 JA6 +SVBA58	10HA2 GNDBA51 HA6 +SVBA51	GA2 GNDBA44 GA6 +SVBA44	FA2 GNDBA37 FA6 +SVBA37	1EA2 GNDBA30 EA6 +SVBA30	DA2 GNDBA23 DA6 +SVBA23	CA2 GNDBA16 CA6 +SVBA16	BA2 GNDBA09 BA6 +SVBA09	AA2 GNDBA02 AA6 +SVBA02

IC LOCATION CHART UC 1958 PC

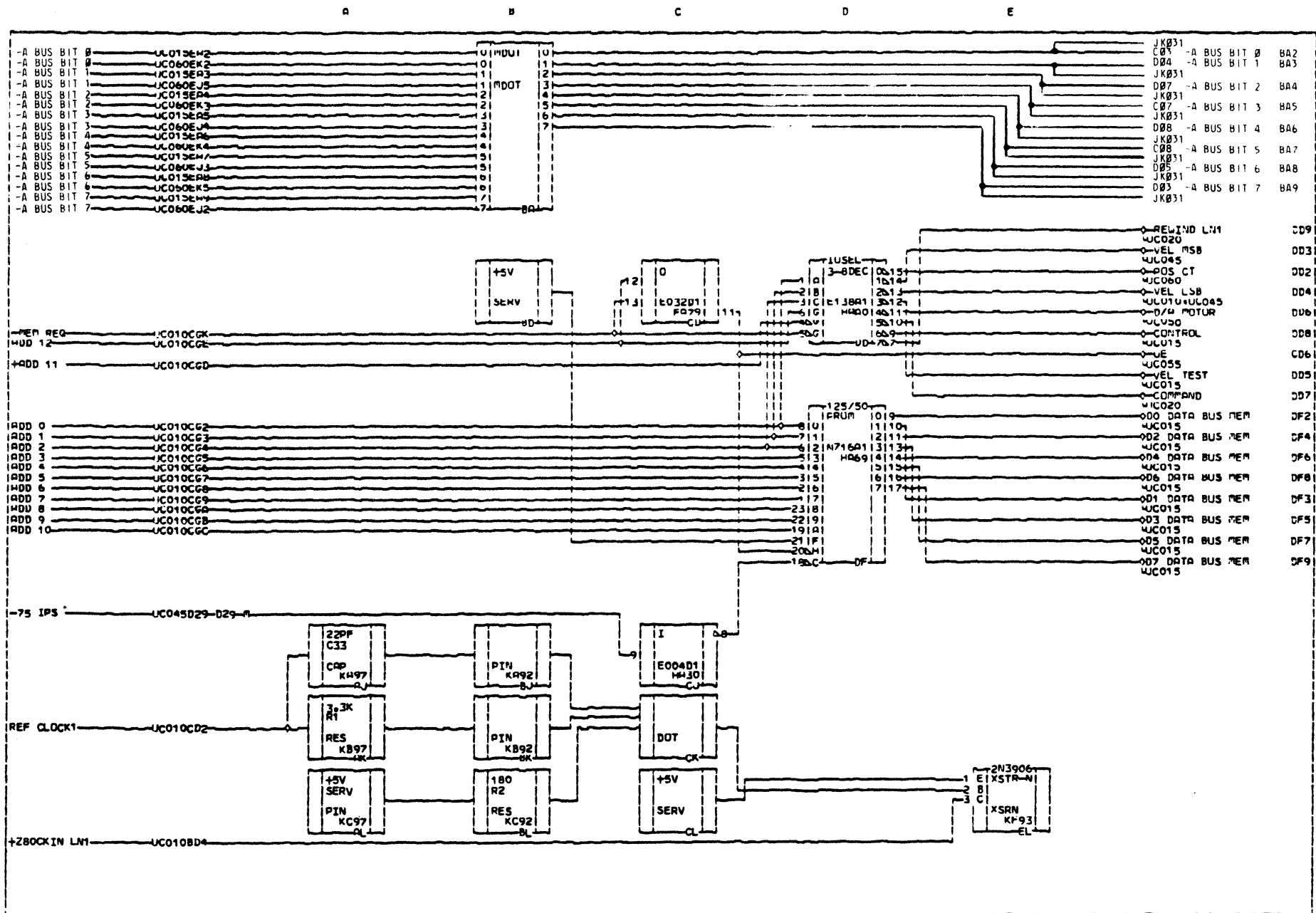
PRESENT EC 44981 DATE 11-22-82 CD PN 44200003-8
PREV EC 44737 PAGE PN 4415652-05 CD TYPE UC FLEVEL PROTUTYP

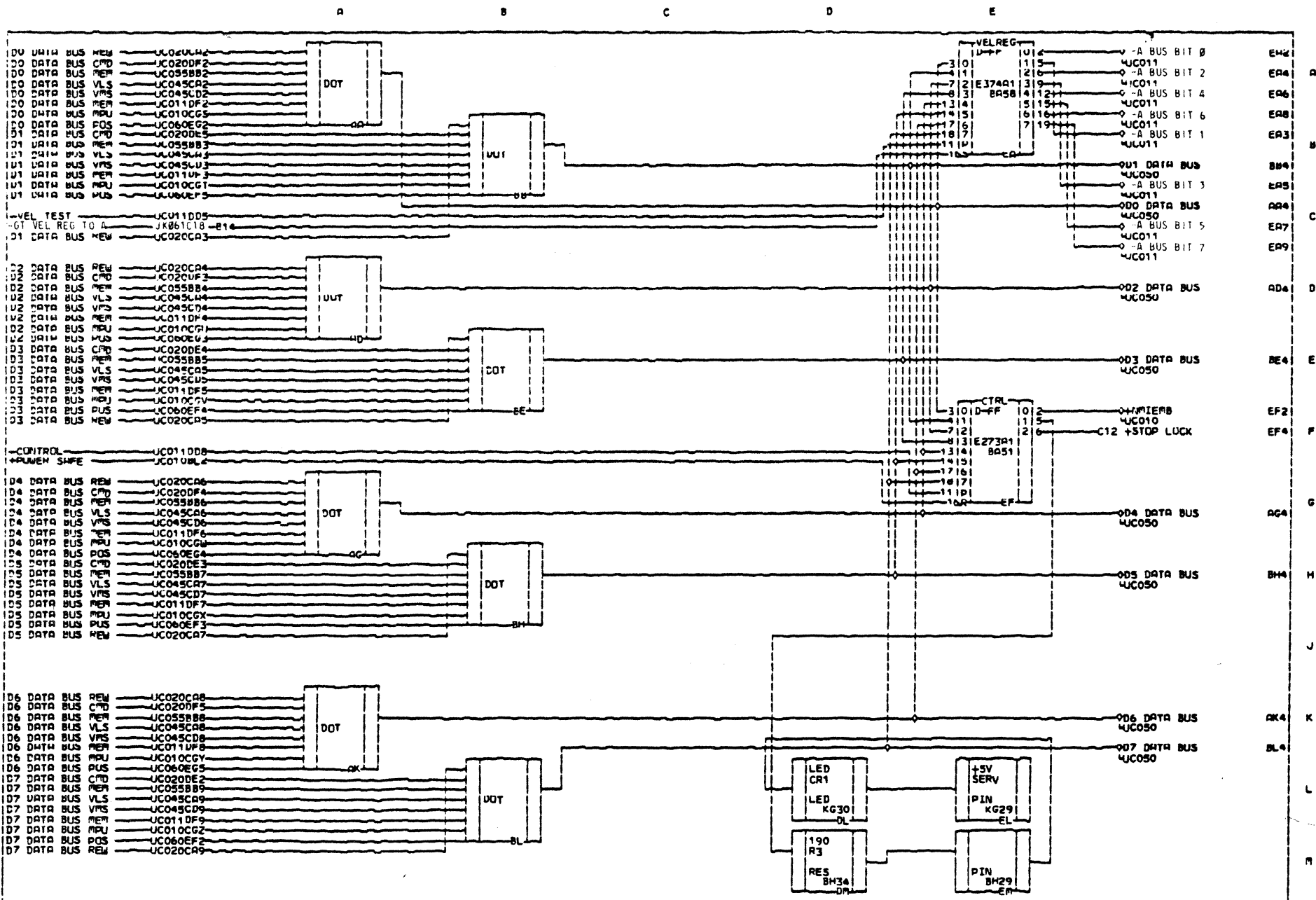
4
7
4
1

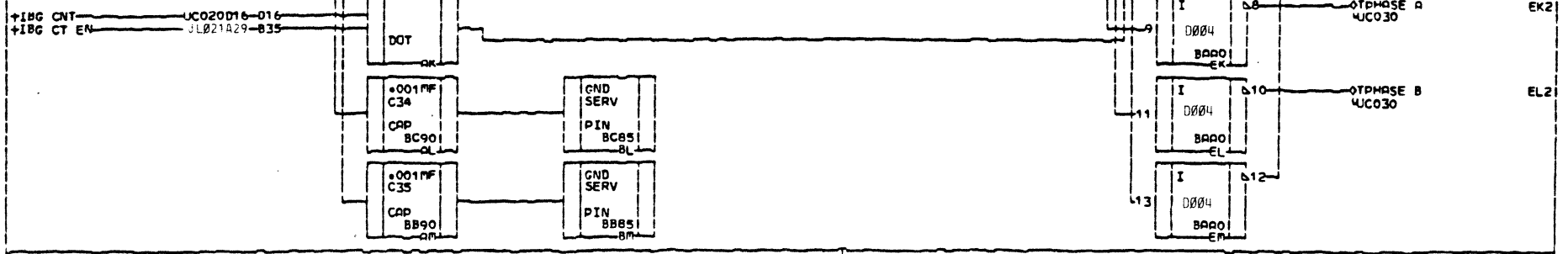
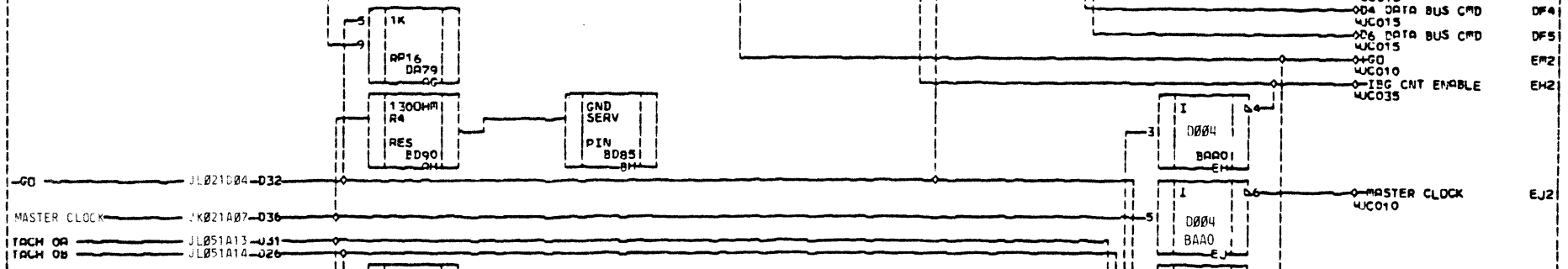
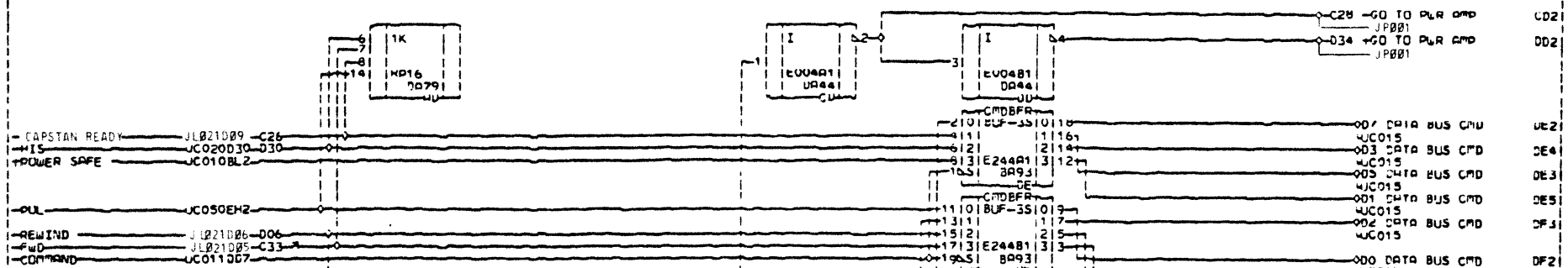
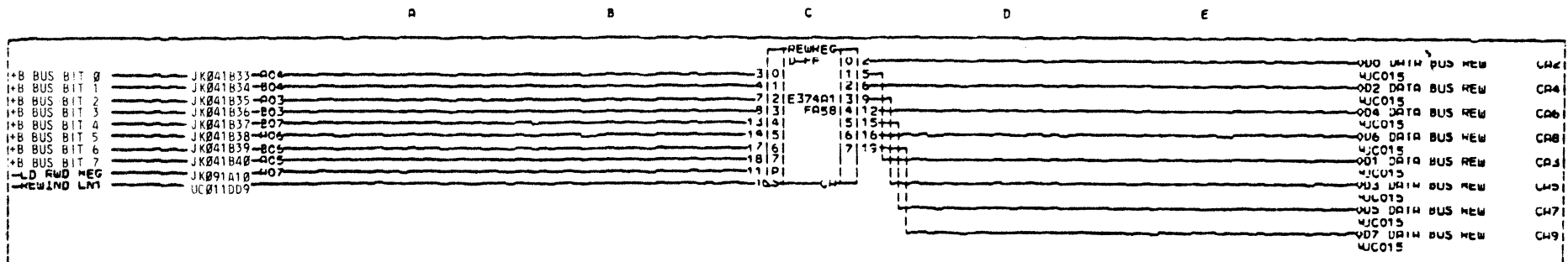
4
7
4
1

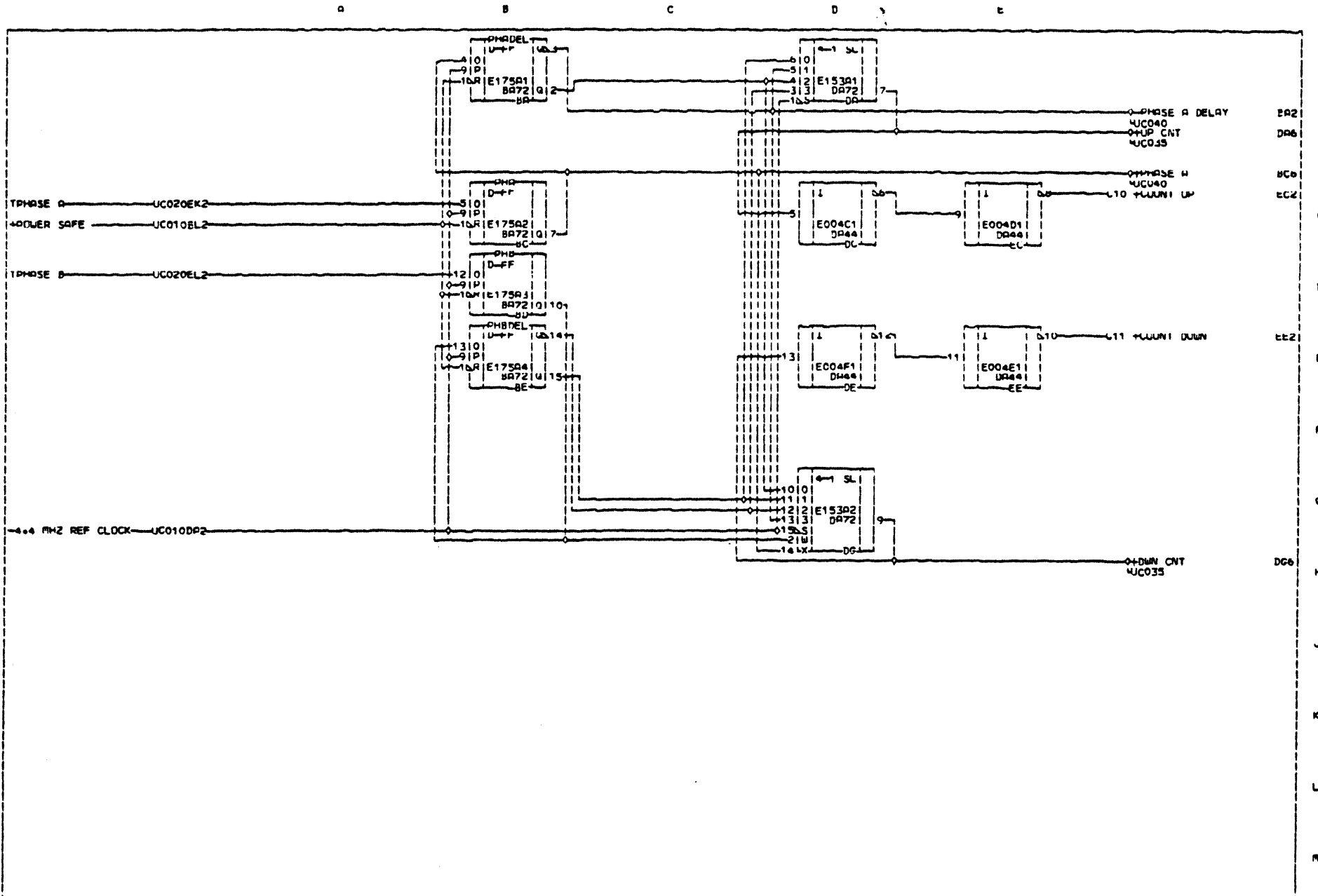


UC010	STC	PROCESSOR				UC010
		PRES. E.C. 44446 PREV. E.C. DATE 01/09/81	MACH 1950 VER GBL ROT.	CD LOC. C2 GATE FRAME	WIRING METHOD: PC FLYER EC PROTOTYP PC PN: 401565301-9	
		BL2	AL2	CGX		

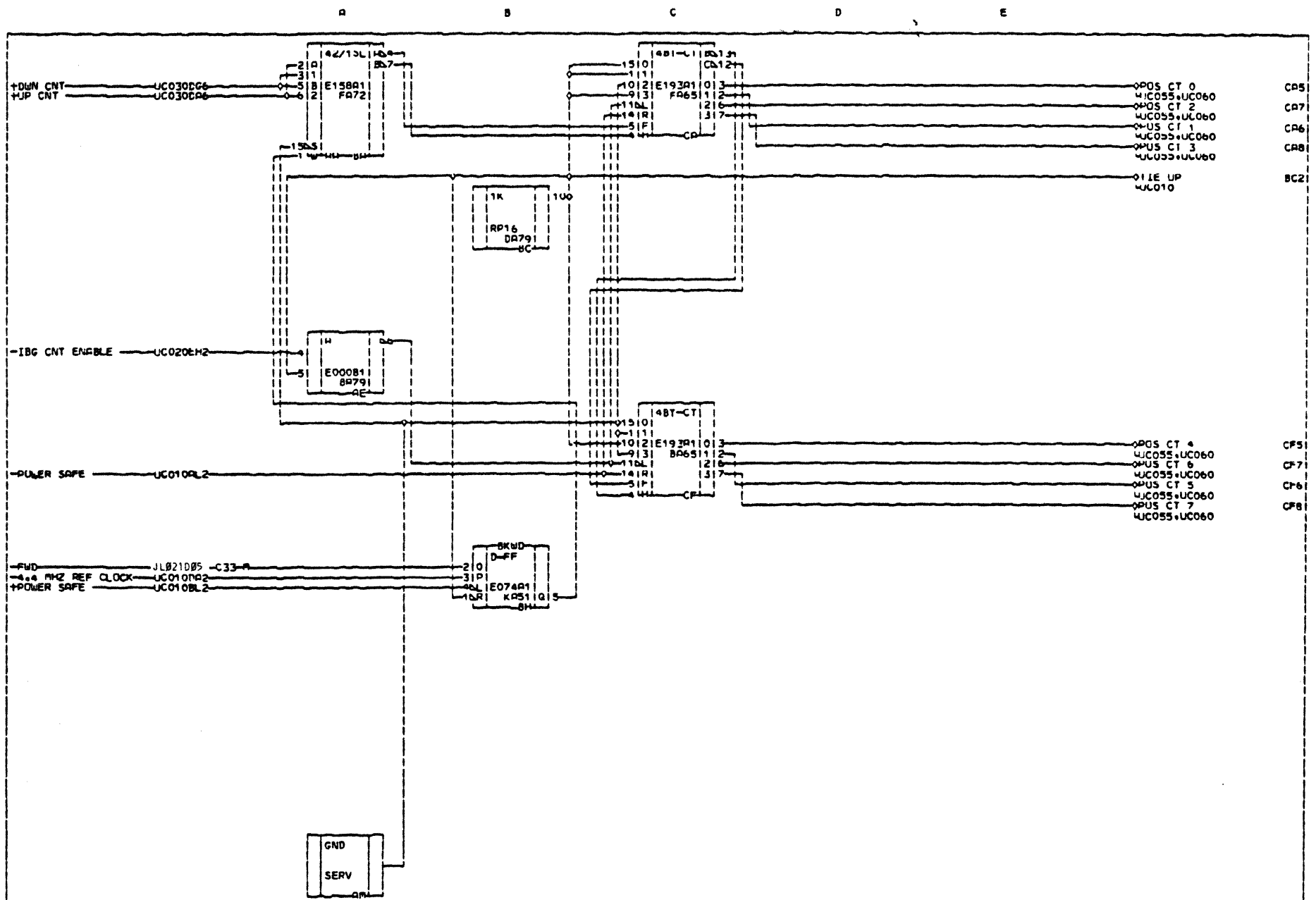








04000C	STC				TACH RESOLVER				U 4000 0
	DES. RE.C.	44446	MACH 1950	CD LOC. C2	WIRING METHOD: PC		PG PN. 401565701-0		
	PREV. RE.C.		VER	GATE.	FLYER EC PR0T0TYP				
	DATE	01/09/81	IGBL ROT.	FRAME					



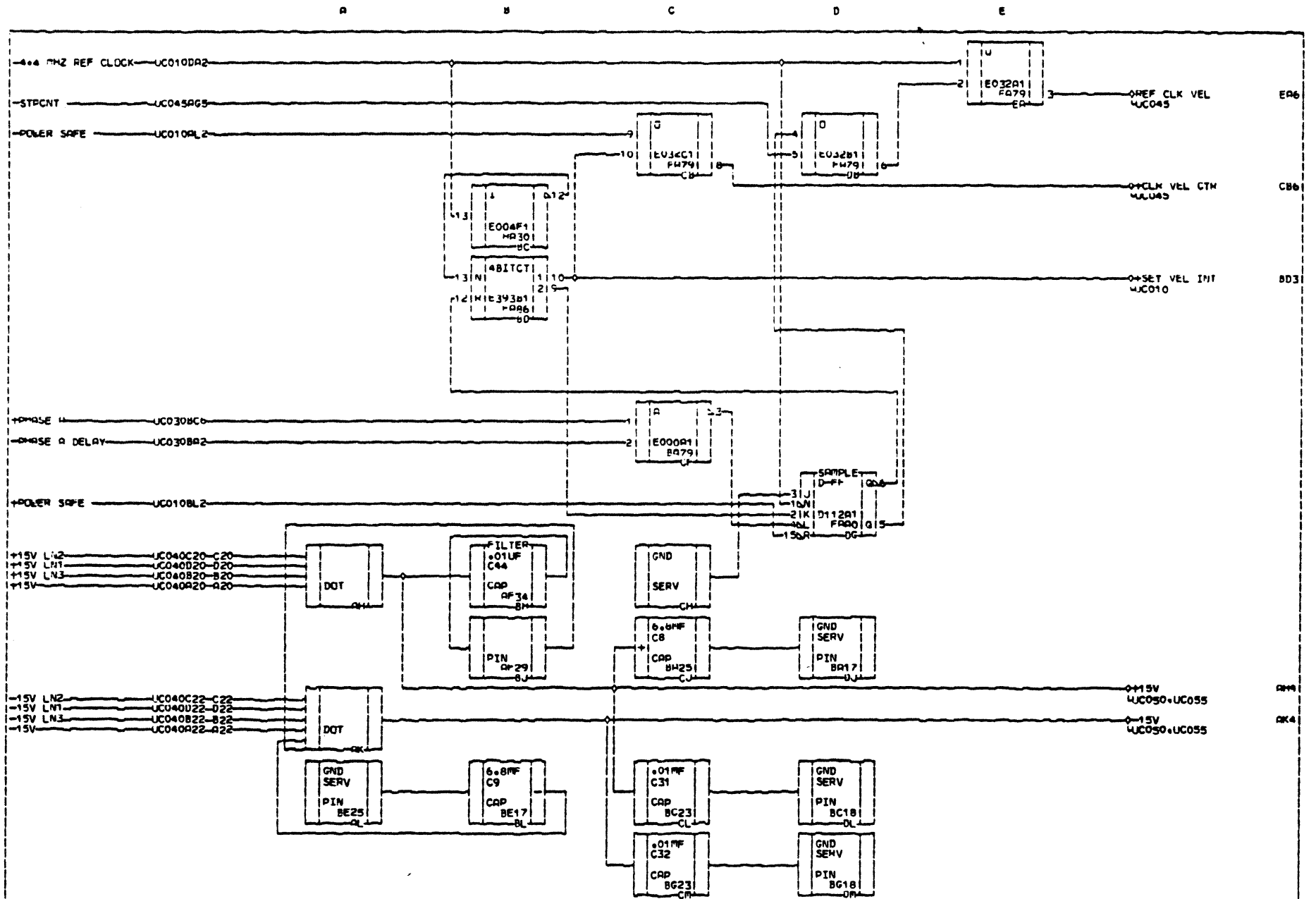
UNDOC



IBC POSITION COUNTER

DES. E.C. 44446	MACH. 1950	CD LOC. C2	WIRING METHOD: PC
PREV. E.C.	VER.	GATE	FLYER EC PROTOTYP
DATE 01/09/81	GBL ROT.	FRAME	PG DN. 401565801-8

UNDOC



NOTE: C8, C9, C23, C31, C32, AND C44 ARE DECOUPLING CAPS FOR +15V AND -15V.

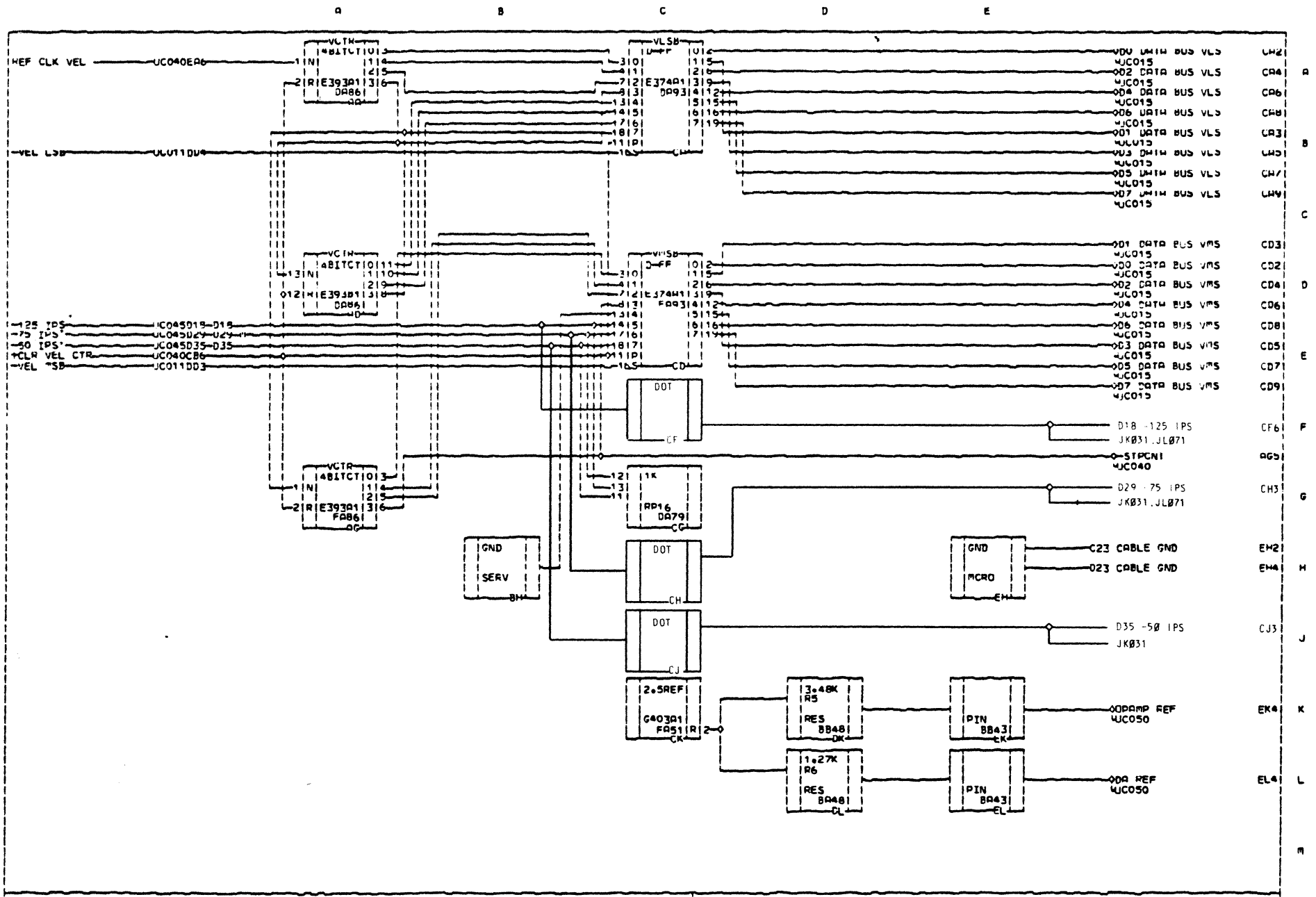
UC0400

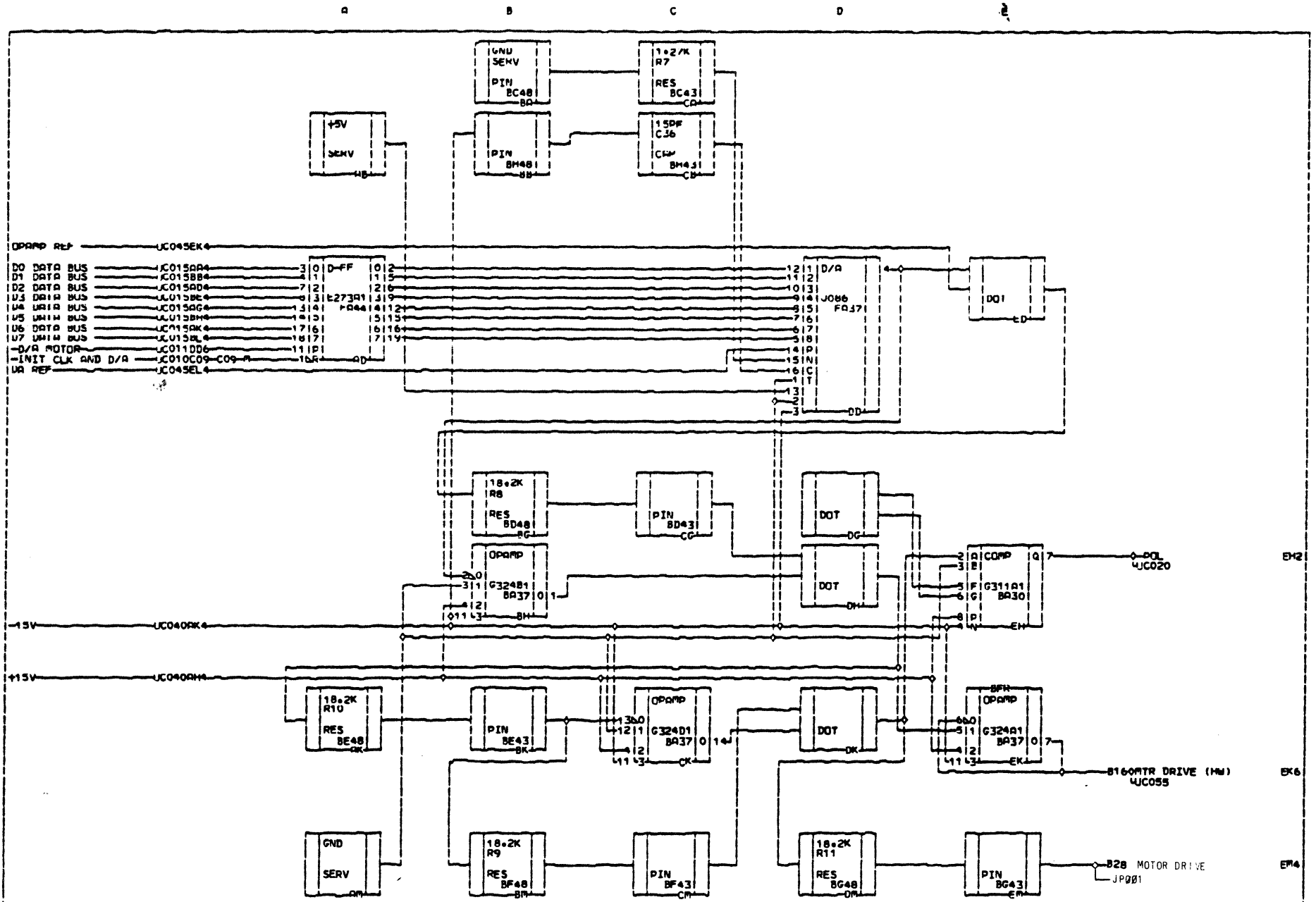


VELOCITY COUNTER CONTROL

PRES. E.C.	44446	MACH VER	CD LOC. C2	WIRING METHOD: PC
PREV. E.C.		GBL ROT.	GATE FRAME.	FLYER EC PROTOTYP
DATE	01/09/81			PG PN: 401565901-6

UC0400



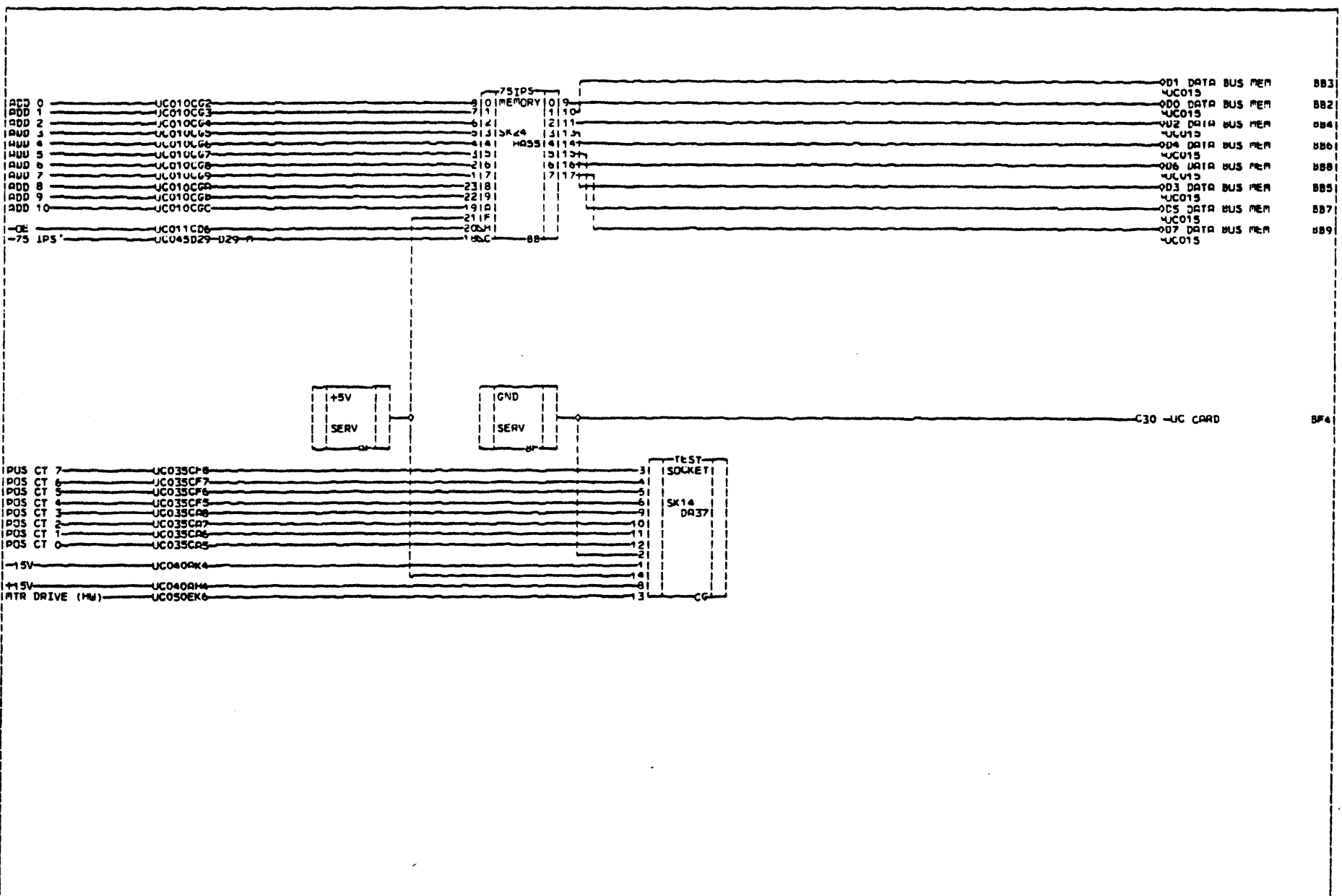


UC000

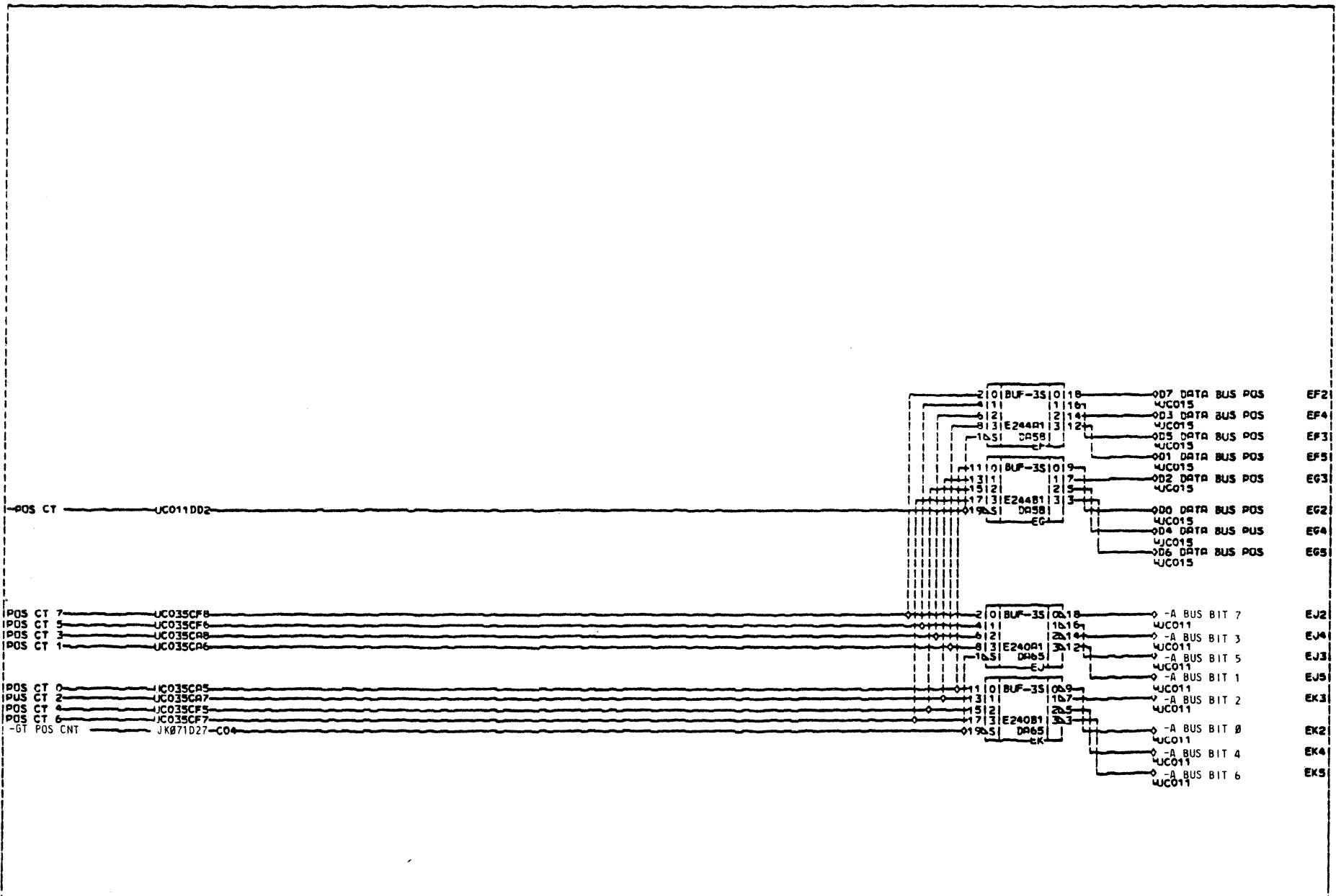


PRES. E.C. PREV. E.C. DATE	4446 01/09/81	MACH. 1950 VER GBL ROT.	CD LOC. C2 GATE FRAME	WIRING METHOD: PC FLYER EC PROTOTYP PG PN: 401566101-2	UC C S O

A B C D E



A
B
C
D
E
F
G
H
J
K
L
M



UC 0 6 0	HIGHEST COMPONENT DESIGNATION R12, C44, Q1, CR1		STC				POSITION COUNTER BUFFERS				UC 0 6 0
	PRES. E.C. 44446		MACH 1950		CD LOC. C2		WIRING METHOD: PC				
	PREV. E.C.		VER		GATE		FLYER EC PROTOTYP				
	DATE 01/09/81		GBL ROT.		FRAME		PG PN. 401566301-8				

ASSEMBLY PARTS LIST

BUILD ARC (01)

PRINT DATE	PAGE	E.C. NO
10-20-82	1	37

DIV.	ASSEMBLY NUMBER	CD	REV.	DWG.	DESCRIPTION	MC	STATUS	STATUS DATE	FILE DATE					
0500	401574002	2	C	N	SYS LGC GP,UC,401573202,PC	N	REL	04-14-82	1950 05-04-82					
T FIND NO	LI	PART NUMBER	CD	M	QUANTITY	U/M	PART DESCRIPTION	MC	YLD	E.C. NO IN	E.C. NO OUT	S/N	WK IN	WK OUT
001	01	401574102	0		REF	PC	CD LGC,UC,AM741,PC	D						
010	01	401574202	8		REF	PC	SYS LGC,UC010,PC	D						
011	01	401574301	8		REF	PC	SYS LGC,UC011,PC	D						
015	01	401574401	6		REF	PC	SYS LGC,UC015,PC	D						
020	01	401574502	1		REF	PC	SYS LGC,UC020,PC	D						
030	01	401574602	9		REF	PC	SYS LGC,UC030,PC	D						
035	01	401574702	7		REF	PC	SYS LGC,UC035,PC	D						
040	01	401574802	5		REF	PC	SYS LGC,UC040,PC	D						
045	01	401574901	5		REF	PC	SYS LGC,UC045,PC	D						
050	01	401575001	3		REF	PC	SYS LGC,UC050,PC	D						
055	01	401575101	1		REF	PC	SYS LGC,UC055,PC	D						
060	01	401575201	9		REF	PC	SYS LGC,UC060,PC	D						
500	01	401573202	9		REF	PC	CKT CD,UC PC ASSY 50IPS	S						
							0013 TOTAL LINES							

LLOC MA00		LLOC MA93		LLOC KA86		LLOC KA79		LLOC KA72		LLOC KA65		LLOC KA58		LLOC KA51		LLOC KA44		LLOC KA38		LLOC KA30		LLOC KA23		LLOC KA16		LLOC MA09		LLOC MA02					
PN	ICI	PN	ICI	PN	ICI	PN	ICI	PN	ICI	PN	ICI	PN	ICI	PN	ICI	PN	ICI	PN	ICI	PN	ICI	PN	ICI	PN	ICI	PN	ICI	PN	ICI	PN	ICI	PN	ICI

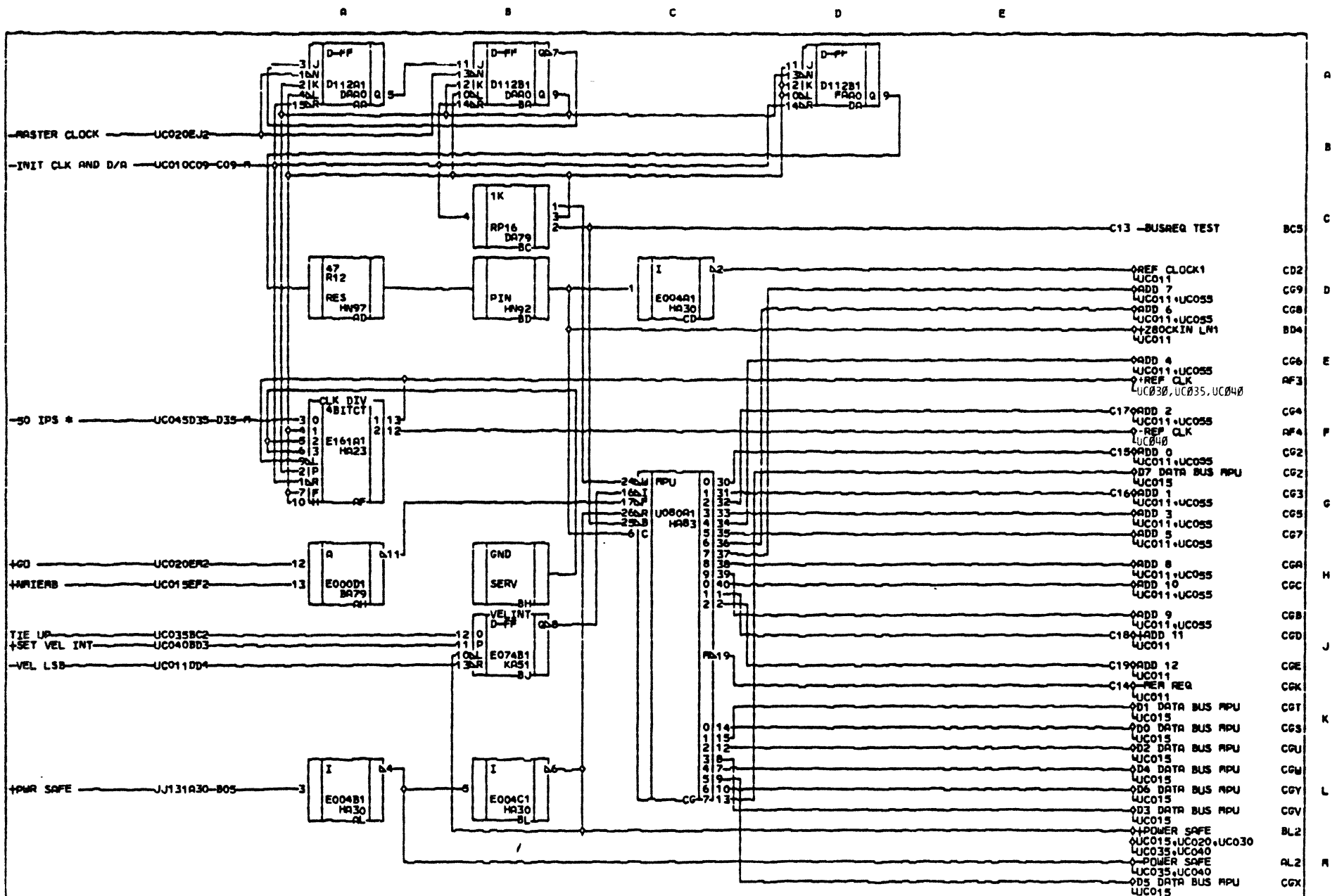
INDEX 11 PAGE (5)

IC LOCATION CHART UC-50 IPS PC

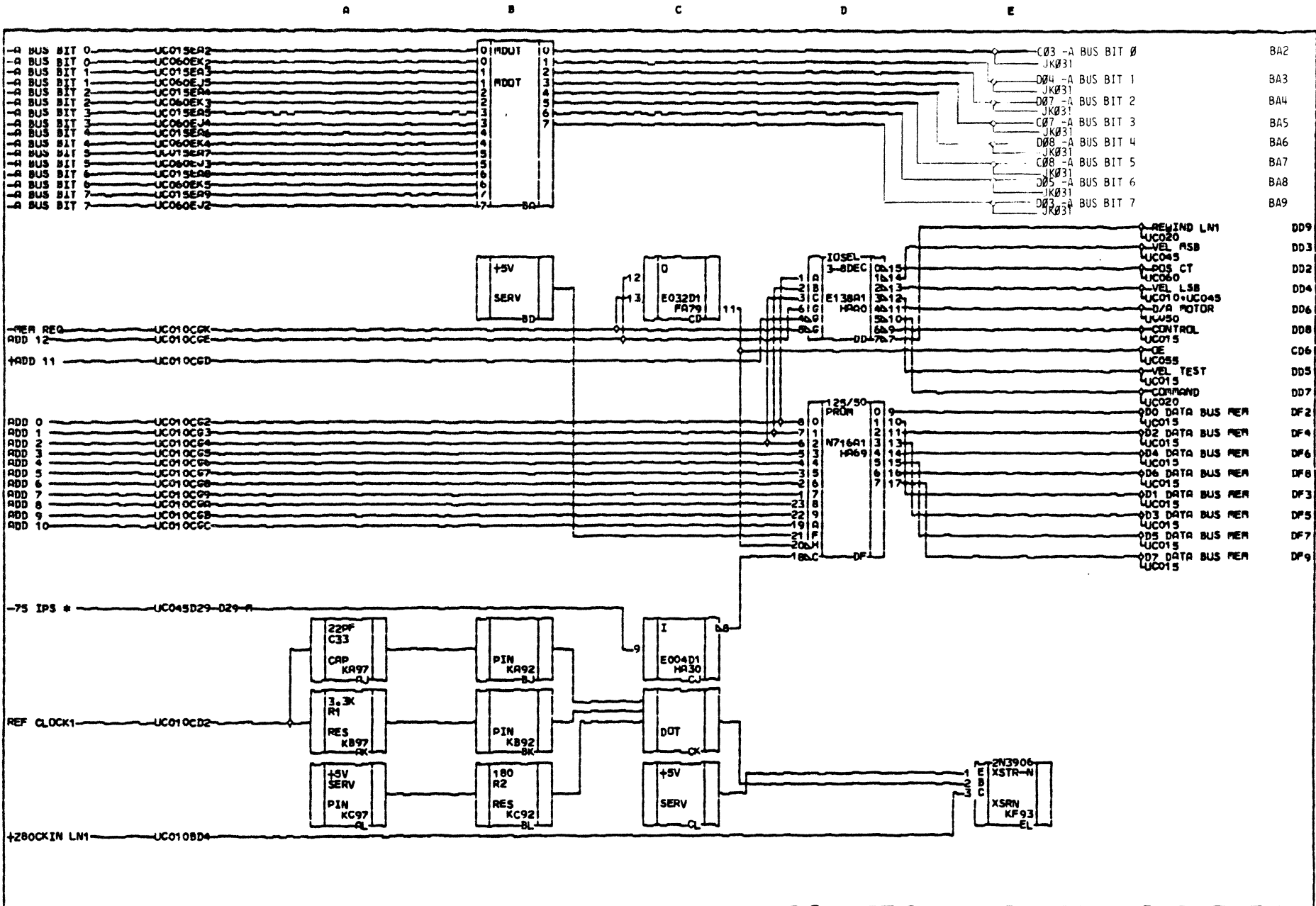
PRESENT EC 44737	DATE 4-26-82	LCC C2	CD PN 401573202-9
PREV EC 44663	PAGE PN 401574102-0	CD TYPE UC	FLEVEL PROTUTYP

A 7 1 1

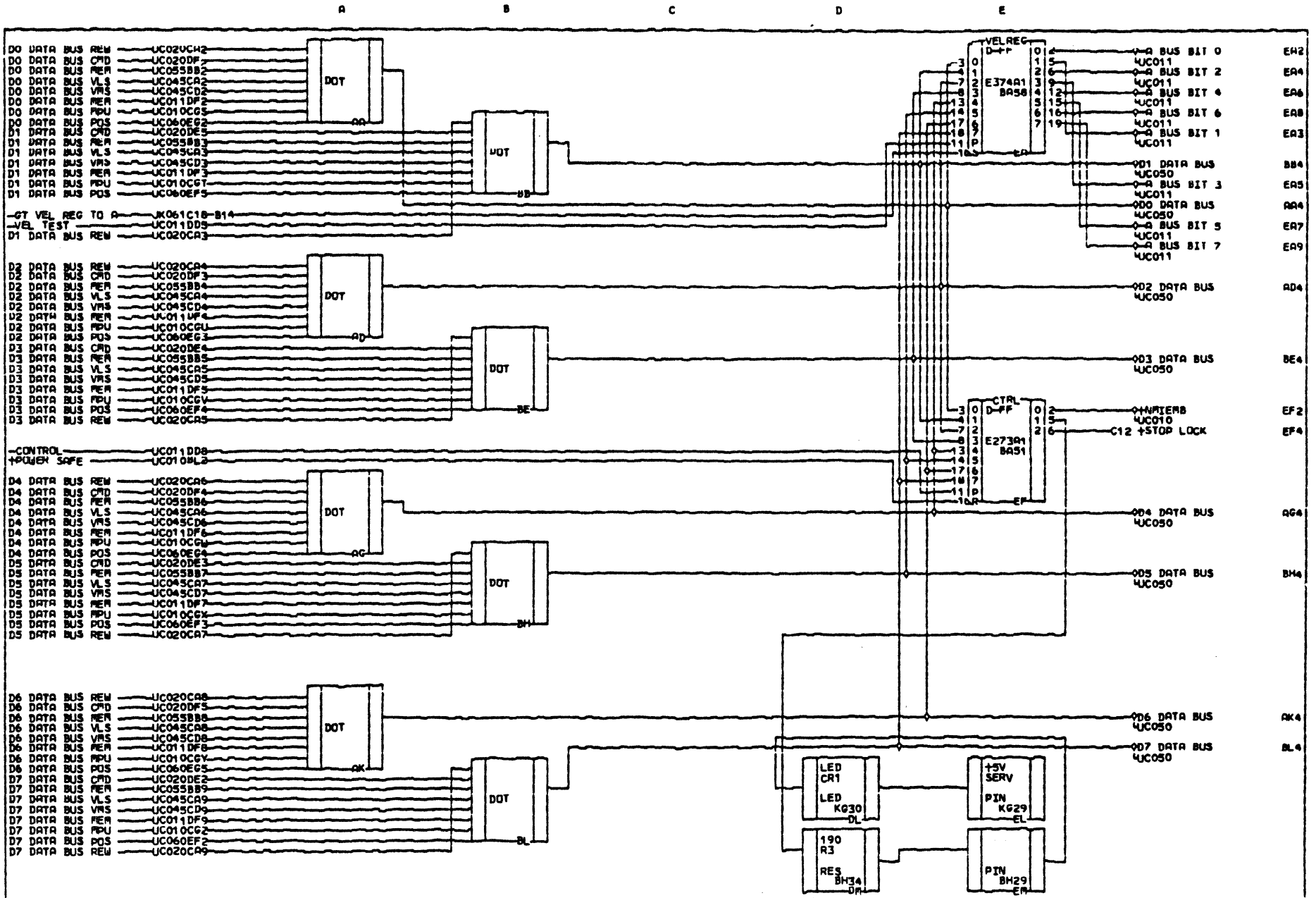
A 7 4 1



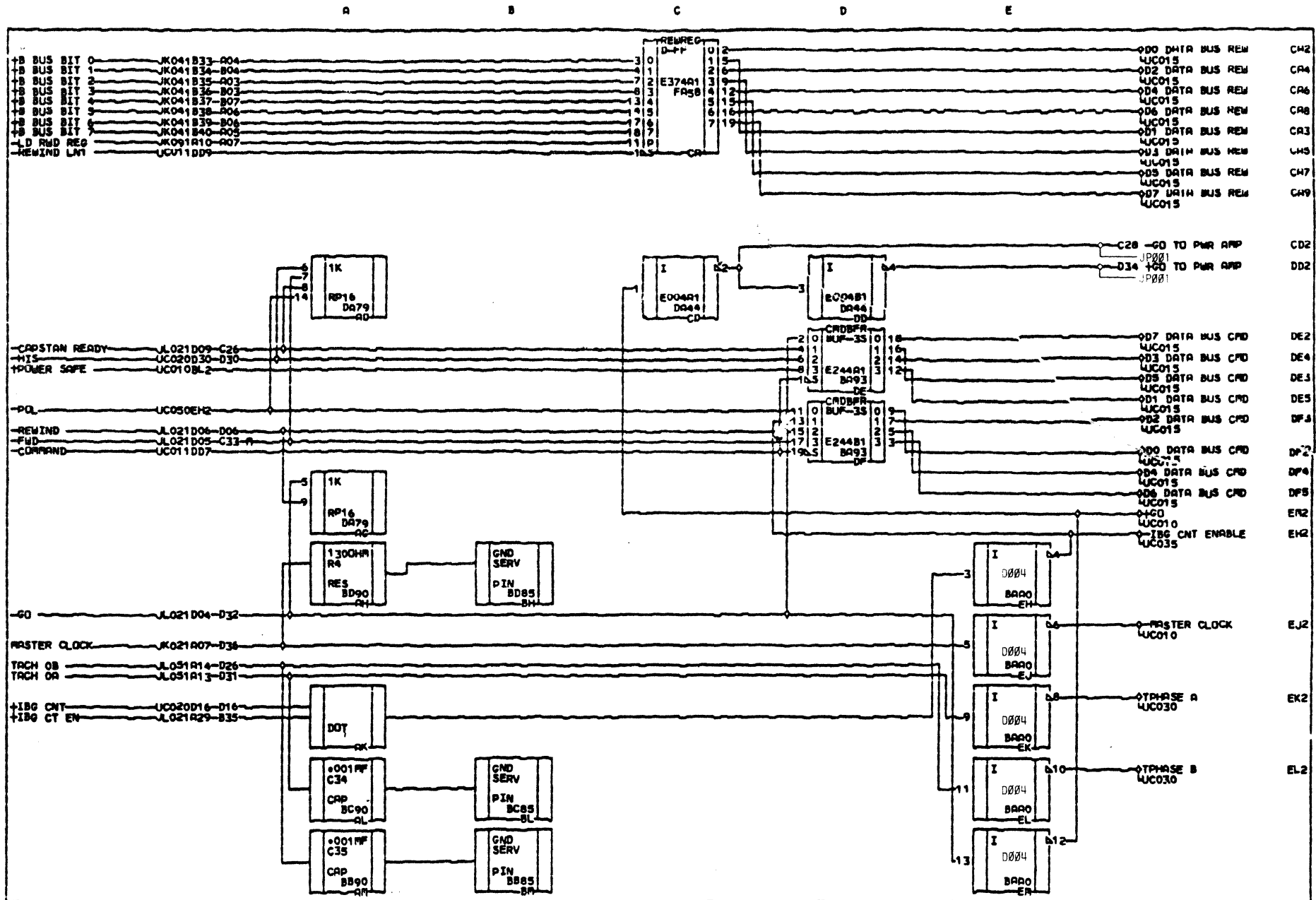
UC010	REF CLK	PROCESSOR	MACH. 1950	CD.LOC.C2	WIRING METHOD: PC PLYER EC PRTOTYV PG. P.No. 401574202-8	UC010			
	75/125 IPS = 4.43 MHZ (226 N SEC)						PREV. E.C. 44463P	VERS.	GATE
	50 IPS = 2.95 MHZ (339 N SEC)						DATE 12-14-81	ABL ROT.	FRAME



UC0111	SEE NOTE PAGE UC045		PROCESSOR MEMORY • A BUS			UC0111
	PRES. E.C. 44463 PREV. E.C. DATE 02/20/81		MACH 1950 VERS GBL ROT	CD LOC C2 GATE FRAME	WIRING METHOD: PC FLYER EC PROTOTYP PG. P.n. 401574301-8	



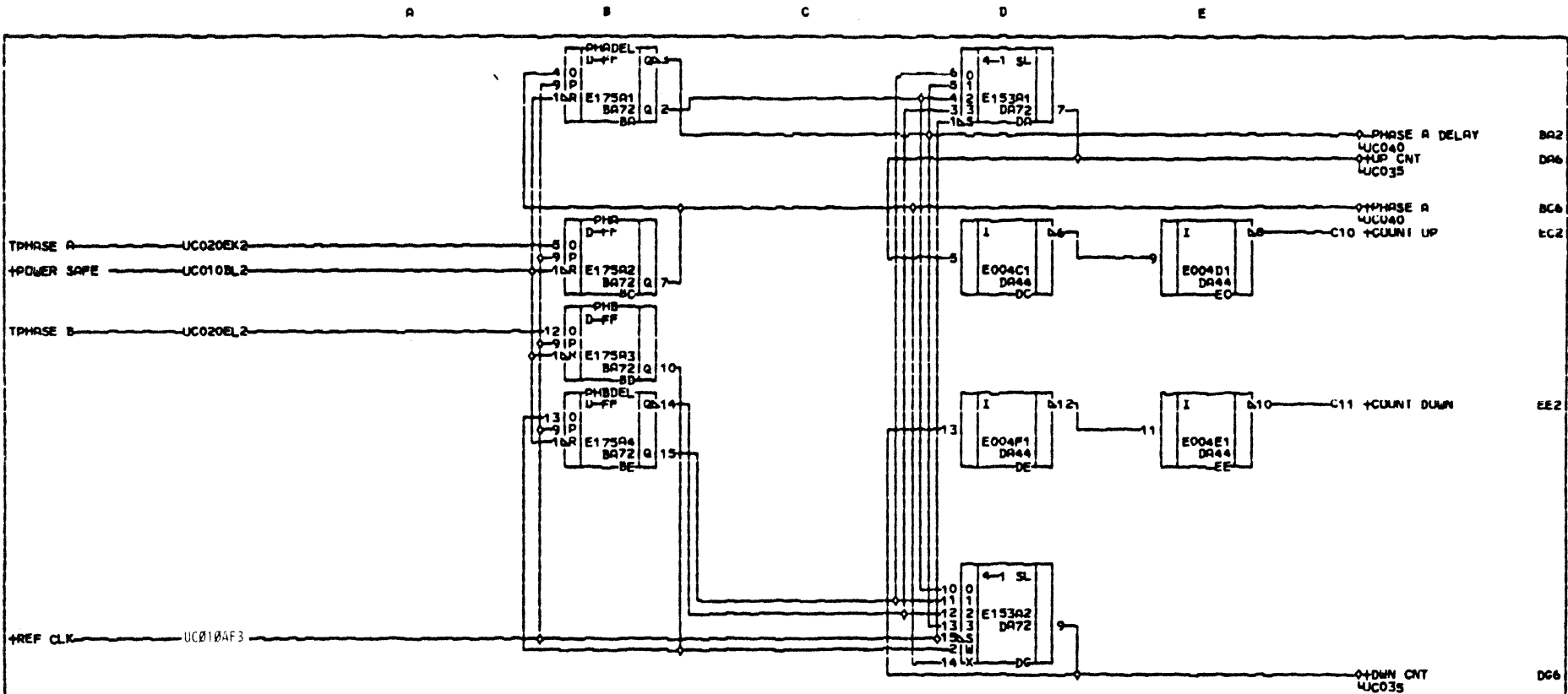
UC015	STC				PROCESSOR DATA BUS, VELOCITY AND CONTROL REGS				UC015
	PRES. E.C. 44463 PREV. E.C. DATE 02/20/81	MACH 1950 VERS. GBL. ROT	CD L.C. C2 GATE FRAME	WIRING METHOD: PC FL YER EC PROTOTYP PG. No. 401574481-6					



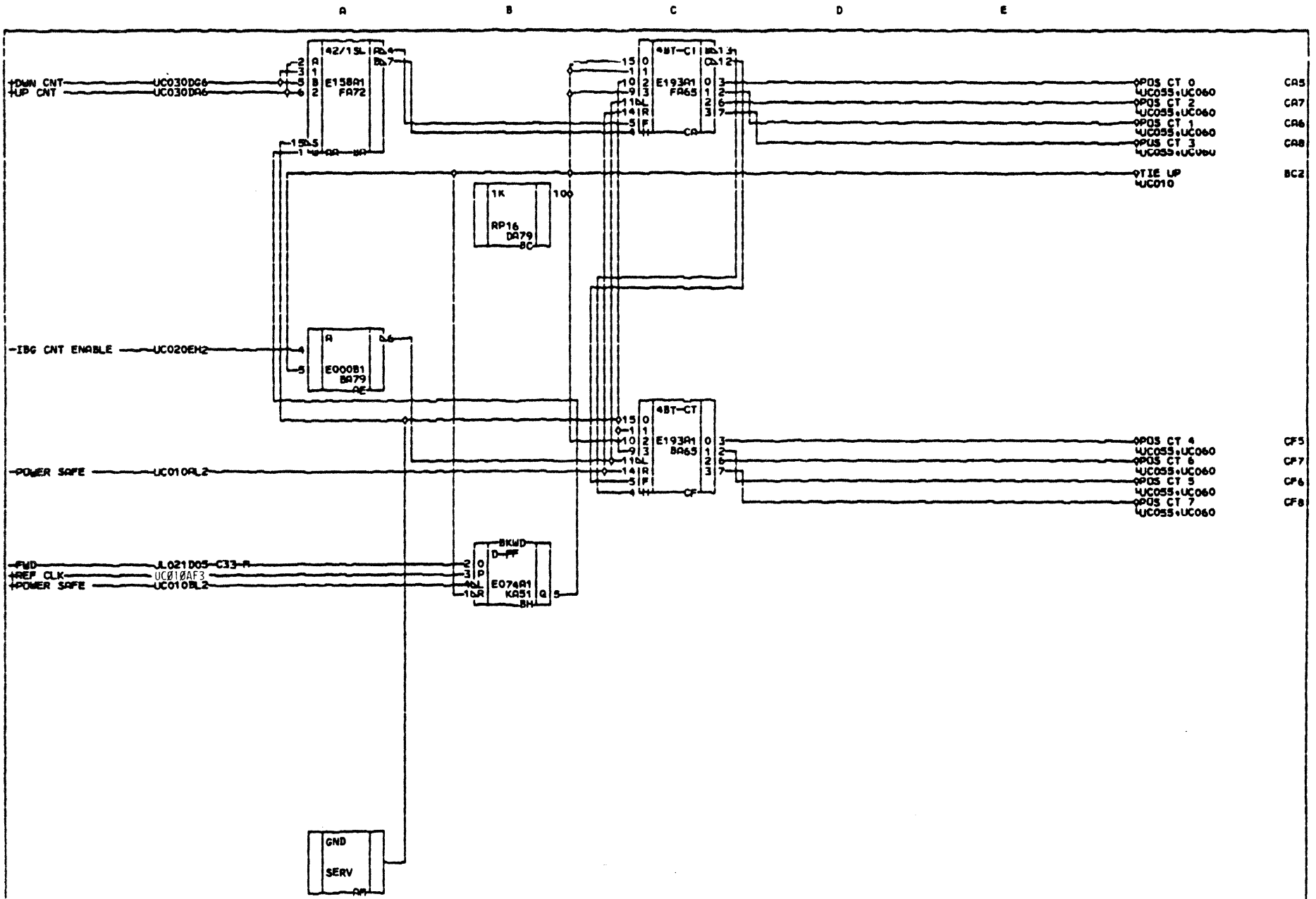
03000



INTERFACE			
PREP. E.C. 44737	DATE 4-26-82	VER. 44483	PC
REV. E.C. 44483	DATE 4-26-82	VER. 44483	PC
MACH 1950		CD LOC C2	
VERS. GBL ROT.		FRAME.	
WIRING METHOD: PC		FLYER EC PROTOTYP	
PG. No. 481574502		PC	



04001C	STC			TACH RESOLVER		04001C
	PRES. E.C. 44463P PREV. E.C. 44463 DATE 12-14-81	MCH 1958 VER. GBL ROT	CD LOC C2 GATE FRAME	WIRING METHOD: PC FLYER EC PROTOTYP PG. P. No. 401574602-9		



A
B
C
D
E
F
G
H
J
K
L
M

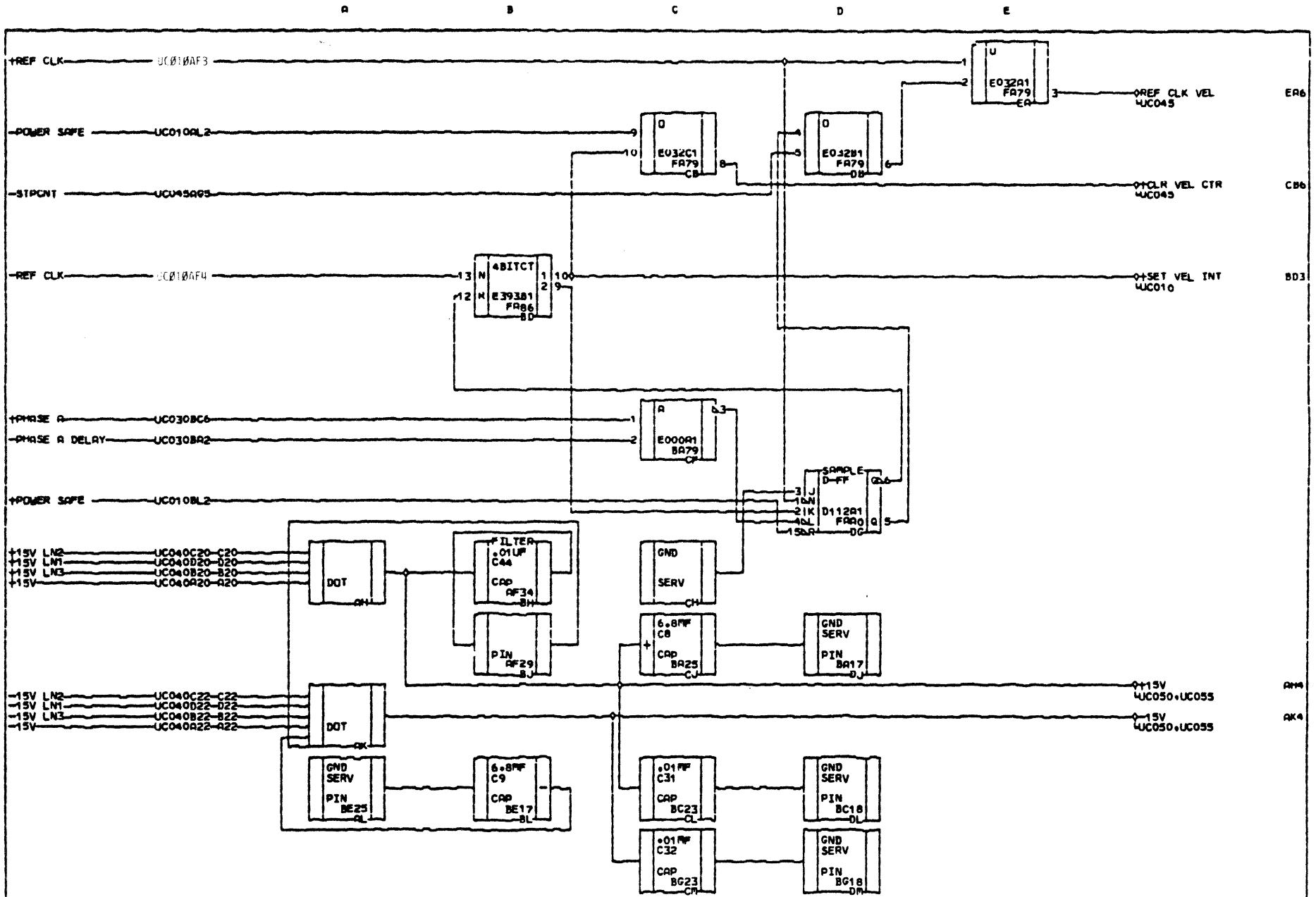
UUC003



IBG POSITION COUNTER

PRES. E.C. 44463P	MACH 1958	CD LOC C2	WIRING METHOD: PC FLYER EC PROTOTYP PG. P.No. 481574702-7
PREV. E.C. 44463	VERS. 3BL ROT	GATE	
DATE 12-14-81		FRAME	

UUC003



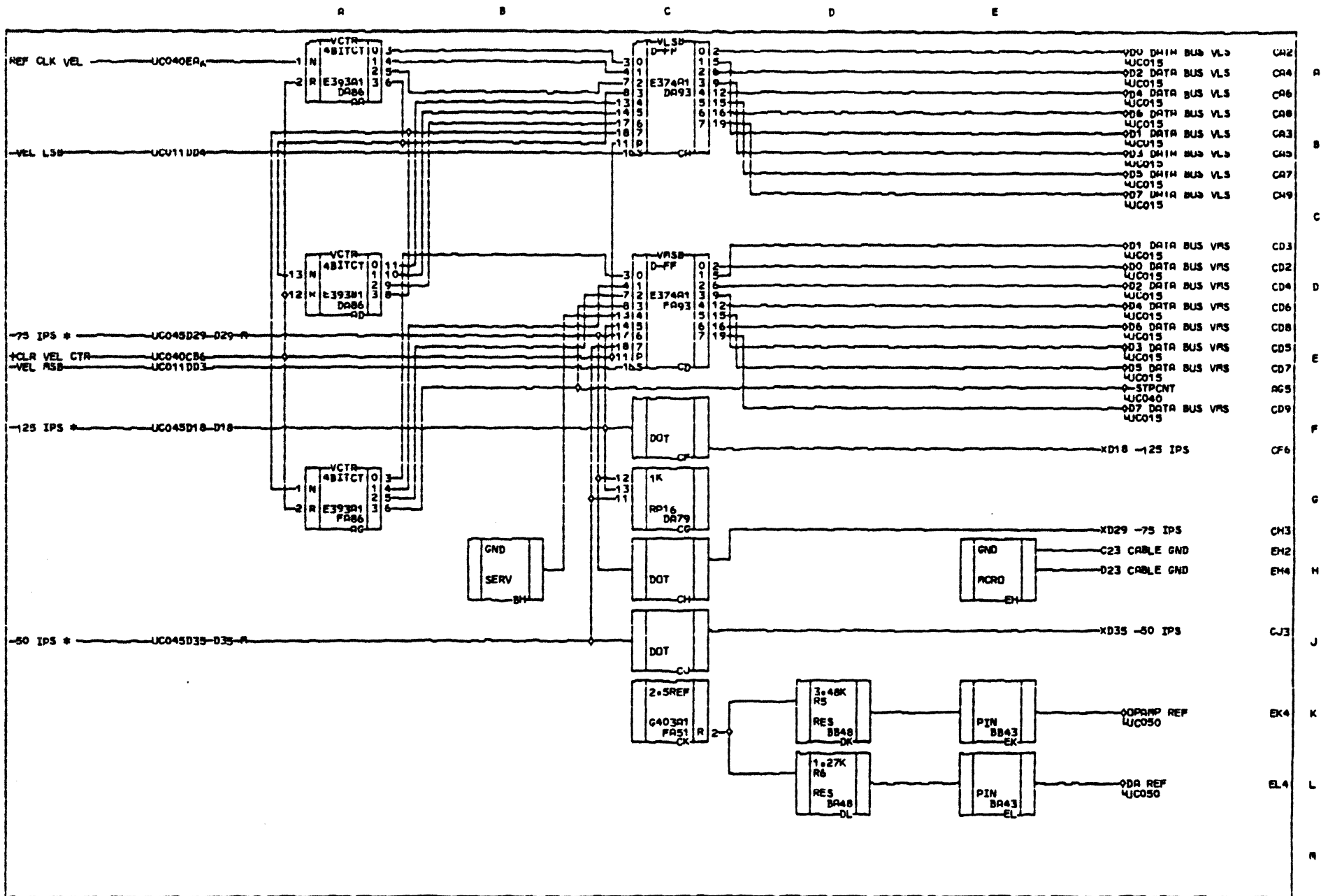
NOTE: C8, C9, C23, C32, AND C44 ARE DECOUPLING CAPS FOR +15V AND -15V.



VELOCITY COUNTER CONTROL

PRES: E.C. 44463P	WACH 1950	CD LOC C2	WIRING METHOD: PC
PREV: E.C. 44463	VERS	GATE	FLYER EC PHOTOTYP
DATE 12-14-81	GBL POT	FRATE	PG. P.No. 481574-322-5

UC040



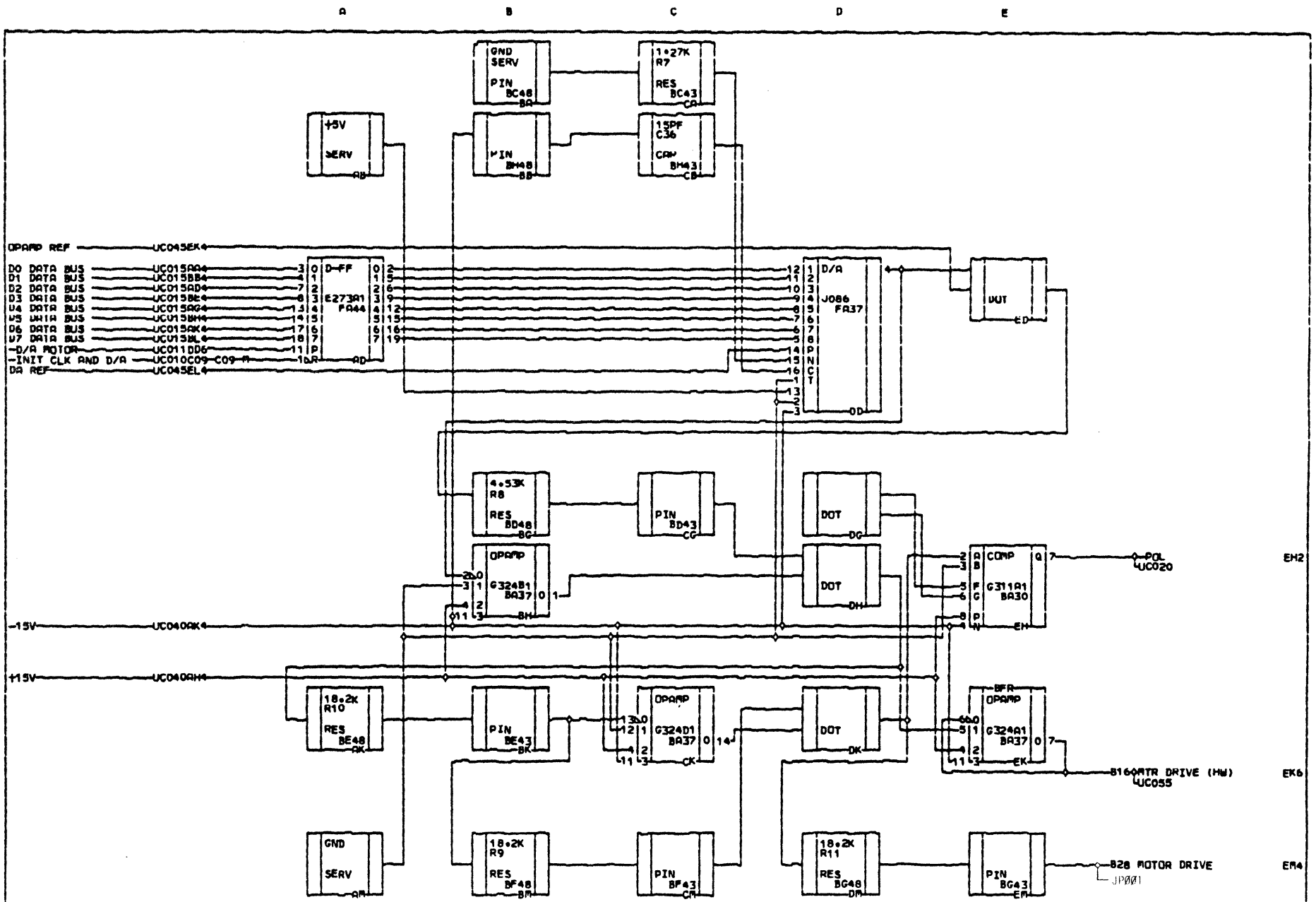
* THE CORRESPONDING TAB IS WIRED TO GND TO DETERMINE THE OPERATING SPEED OF THE TU



VELOCITY COUNTER AND BUFFER

PREP. E.C. 44463	WACH 1958	CD LOC C2	WIRING METHOD: PC FLYER EC PROTOTYP PG. P.No. 401574901-5
PREV. E.C.	VERS	GATE	
DATE 02/20/81	ABI ROT	FRAME	

UC
C
O
S

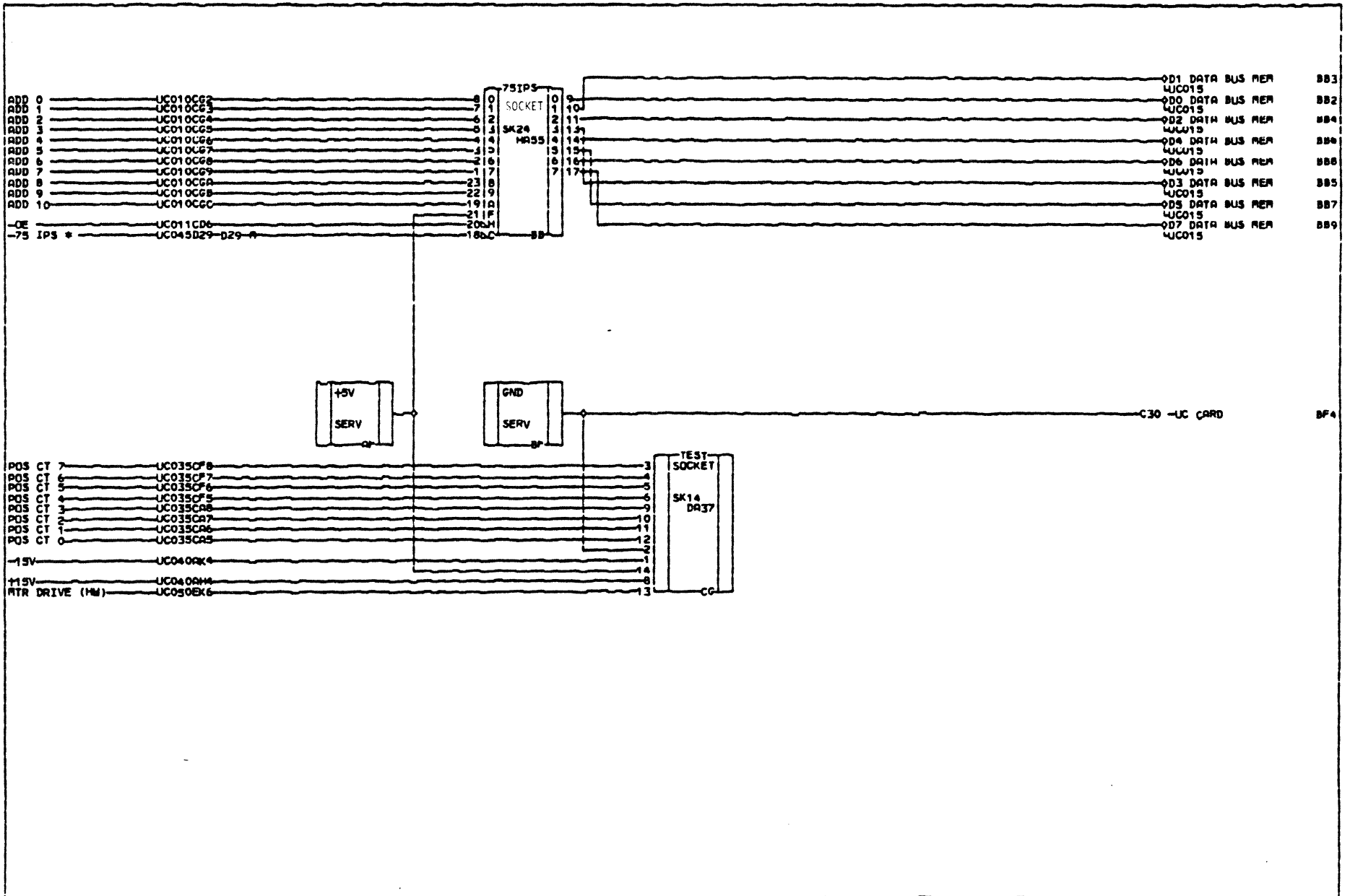


NOTE - RH 75/125 50
 18.2K 4.53K



MOTOR D/A AND DRIVE
 PRES. E.C. 44463
 PREV. E.C.
 DATE 02/20/81
 MACH. 1950
 VERS. 681
 PCB. POT
 CD, LOC C2
 GATE
 FRAME
 WIRING METHOD: PC
 FLYER EC PROTOTYP
 PG. P.No. 401575001-1
 UC055

A B C D E



A

B

C

D

E

F

G

H

J

K

L

M

SEE NOTE PAGE UC045

STC

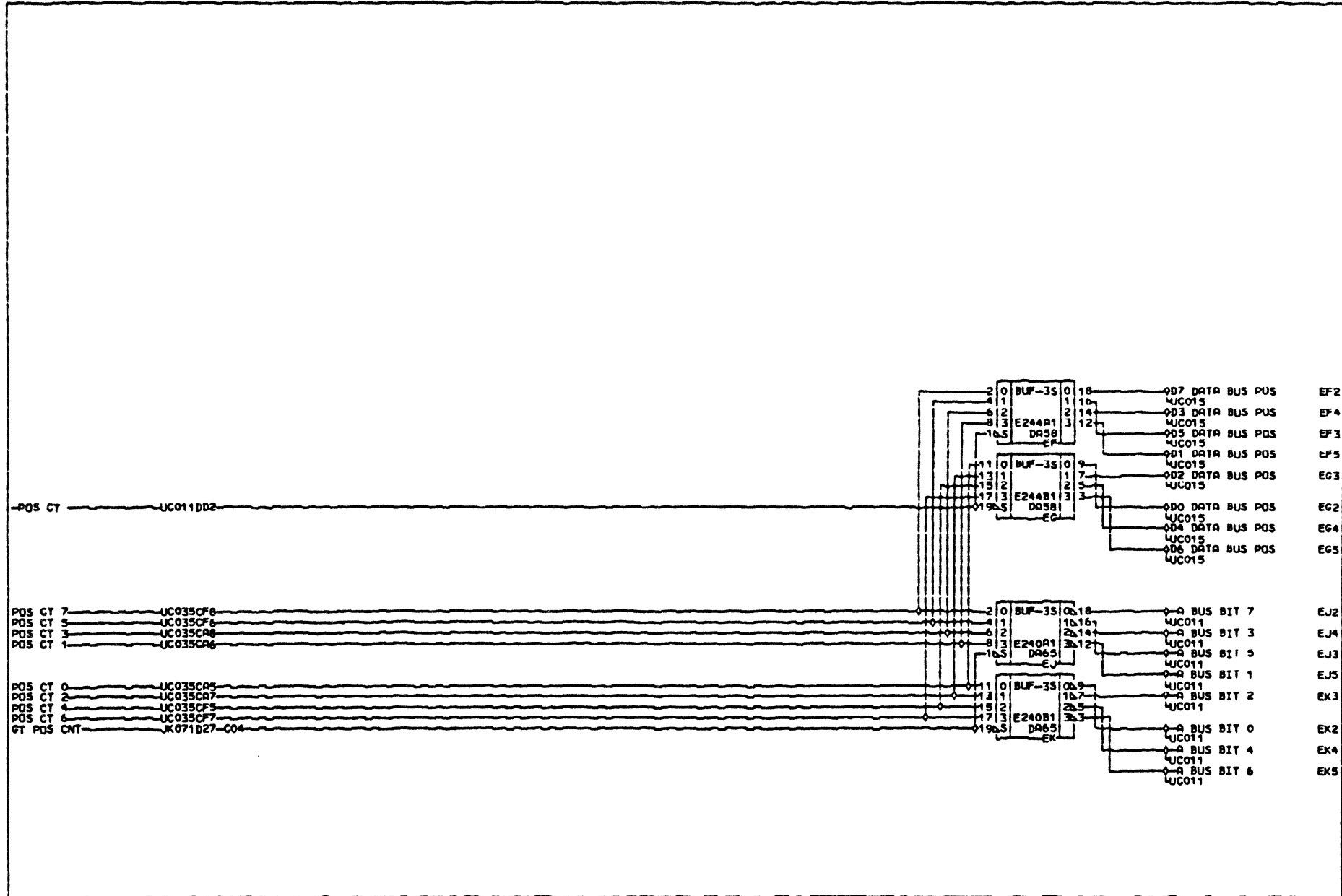
75 IPS MEMORY TEST SOCKET

PRES. E.C. 44463	MACH 1950	CD LOC. C2	WIRING METHOD: PC FLYER EC PROTOTYP PG. P.No 401575101-1
PREV. E.C.	VERS.	GATE	
DATE 02/20/81	GBL. ROT	FRAME	

U
C
0
4
5

A B C D E

A
B
C
D
E
F
G
H
J
K
L
M



UC 06 0	HIGHEST COMPONENT DESIGNATION R12, C44, Q1, CR1		POSITION COUNTER BUFFERS			UC 06 0
	PRES. E.C. 44463 PREV. E.C. DATE 02/20/81		MACH 1950 VERS GBL ROT	CD LOC C2 GATE FRAME	WIRING METHOD: PC FLYER EC PROTO1YP PG. P.No: 01575201-9	



Storage Technology Corporation

TECHNOLOGY CORP.

ASSEMBLY PARTS LIST
BUILD ARC DOC

PRINT DATE	PAGE	E.C. NO.
06-28-84	1	54966

DIV.	ASSEMBLY NUMBER	CD	REV.	DWG.	DESCRIPTION	MC	STATUS	STATUS DATE	FILE DATE					
0500	401223808	7	J	N	SYS LGC GP, HD, PC, MULTI PN'S	N	REL	12-21-83	1950 01-09-84					
T Find no	LI	PART NUMBER	CD	M	QUANTITY	U/M	PART DESCRIPTION	MC	YLD	E.C. NO IN	E.C. NO. OUT	S/N	WK IN	WK OUT
000	01	401223708	9		REF	PC	CD LGC, AB001, HD, PC	D						
001	01	402299002	4		REF	PC	SYS LGC, HD001, PC	D						
011	01	402299102	2		REF	PC	SYS LGC, HD011, PC	D						
015	01	402299201	2		REF	PC	SYS LGC, HD015, PC	D						
021	01	402299301	0		REF	PC	SYS LGC, HD021, PC	D						
031	01	402299401	8		REF	PC	SYS LGC, HD031, PC	D						
041	01	402299501	5		REF	PC	SYS LGC, HD041, PC	D						
051	01	402299601	3		REF	PC	SYS LGC, HD051, PC	D						
061	01	402299702	9		REF	PC	SYS LGC, HD061, PC	D						
071	01	402299801	9		REF	PC	SYS LGC, HD071, PC	D						
081	01	402299901	7		REF	PC	SYS LGC, HD081, PC	D						
091	01	402300001	3		REF	PC	SYS LGC, HD091, PC	D						
101	01	402300101	1		REF	PC	SYS LGC, HD101, PC	D						
111	01	402300201	9		REF	PC	SYS LGC, HD111, PC	D						
121	01	402300301	7		REF	PC	SYS LGC, HD121, PC	D						
131	01	402300401	5		REF	PC	SYS LGC, HD131, PC	D						
141	01	402300501	2		REF	PC	SYS LGC, HD141, PC	D						
151	01	402300601	0		REF	PC	SYS LGC, HD151, PC	D						
161	01	402300701	8		REF	PC	SYS LGC, HD161, PC	D						
500	01	401220208	3		REF	PC	CKT CD, HD, PC ASSY, 50IPS	S						
501	01	401221208	2		REF	PC	CKT CD, HD, PC, ASSY, 75IPS	S						

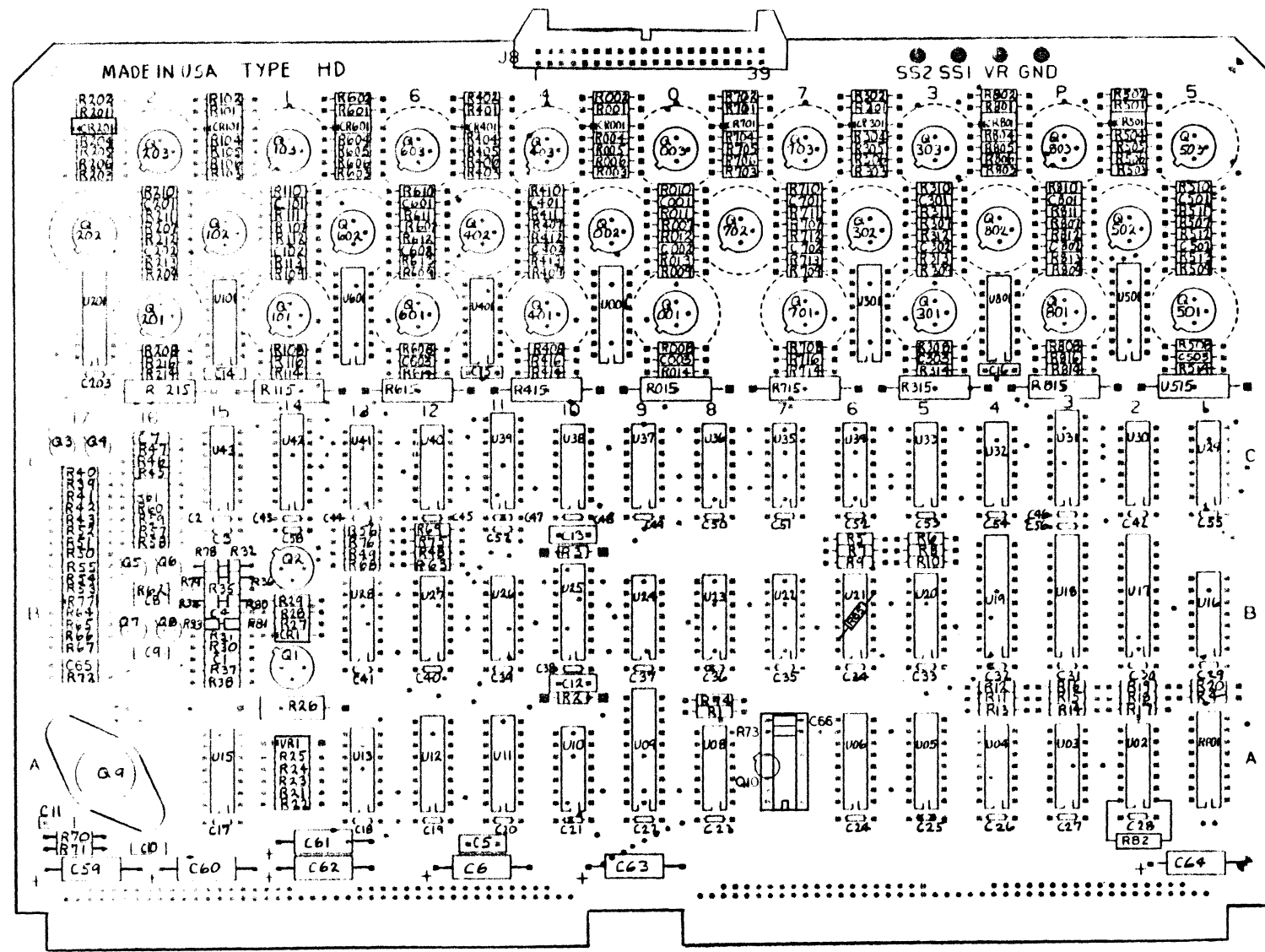


Storage Technology Corporation
TECHNOLOGY CORP.

ASSEMBLY PARTS LIST
BUILD ARC DOC

PRINT DATE	PAGE	E.C. NO.
06-28-84	2	54966

DIV.	ASSI MBL Y NUMBER	CD	REV.	DWG.	DESCRIPTION	MC	STATUS	STATUS DATE	FILE DATE						
0500	401223808	7	J	N	SYS LGC GP,HD,PC,MULTI PN'S	N	REL	12-21-83	1950 01-09-84						
T	Line no	LT	PART NUMBER	CD	M	QUANTITY	U/M	PART DESCRIPTION	MC	YLD	E.C. NO IN	E.C. NO. OUT	S/N	WK IN	WK OUT
	502	01	400521209	9		REF	PC	CKT CD,HD,PC ASSY,125IPS	S						
	0022 TOTAL LINES														



A
B
C
D
E
F
G
H
I

*NOTE: CARD P/N'S

50 IPS - 40122020R
75 IPS - 40122120R
125 IPS - 40052120R



HD CARD, WRITE DRIVER AND CONTROL

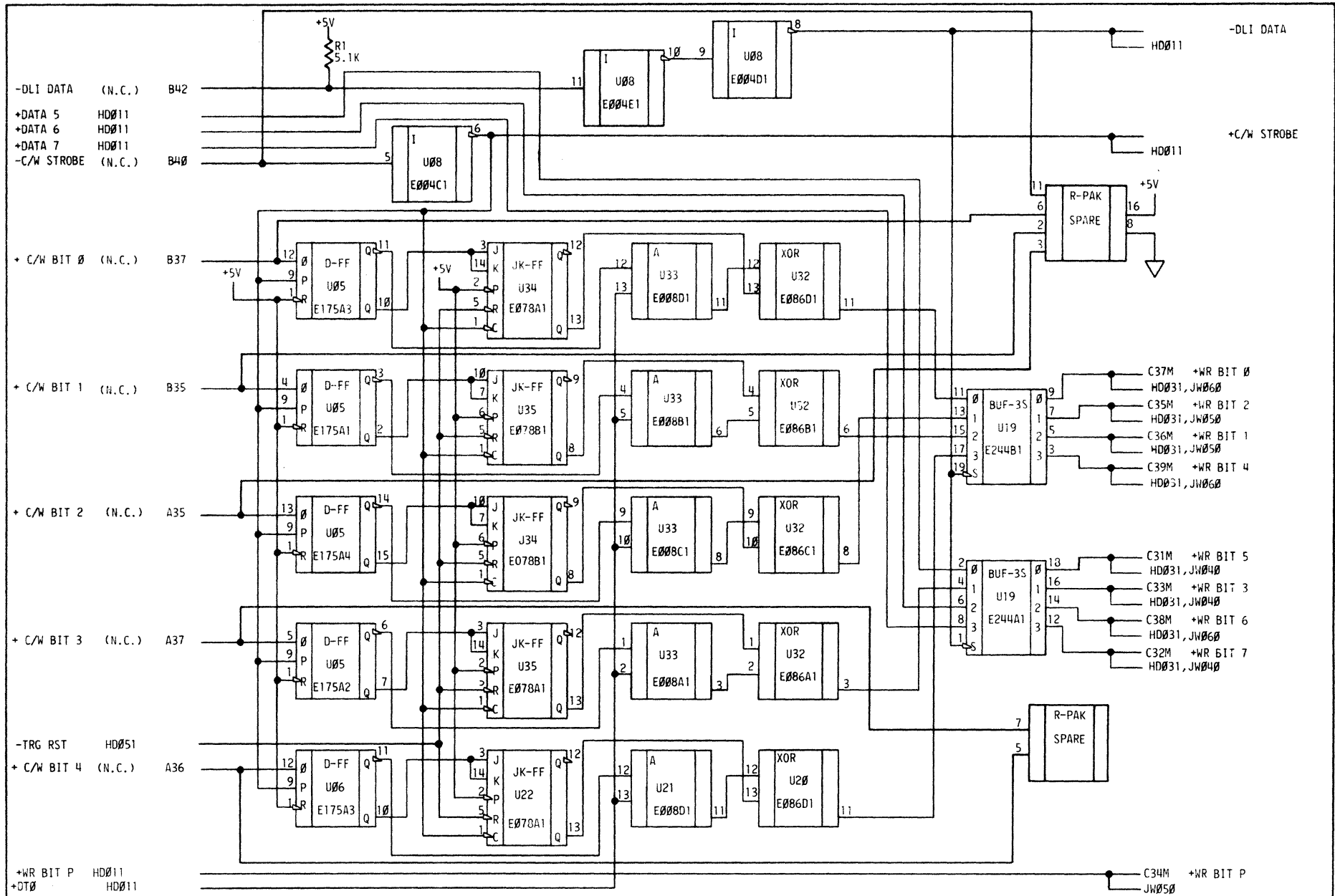
PRES. E.C. 54966
PREV. E.C. 44716
DATE 12-30-63

MACH. 1950
VERS.
GBL ROT.

CD. LOC. J2
GATE
FRAME

CD. P.N. *
CD. TYPE HD
PG. P.N. 40122370B

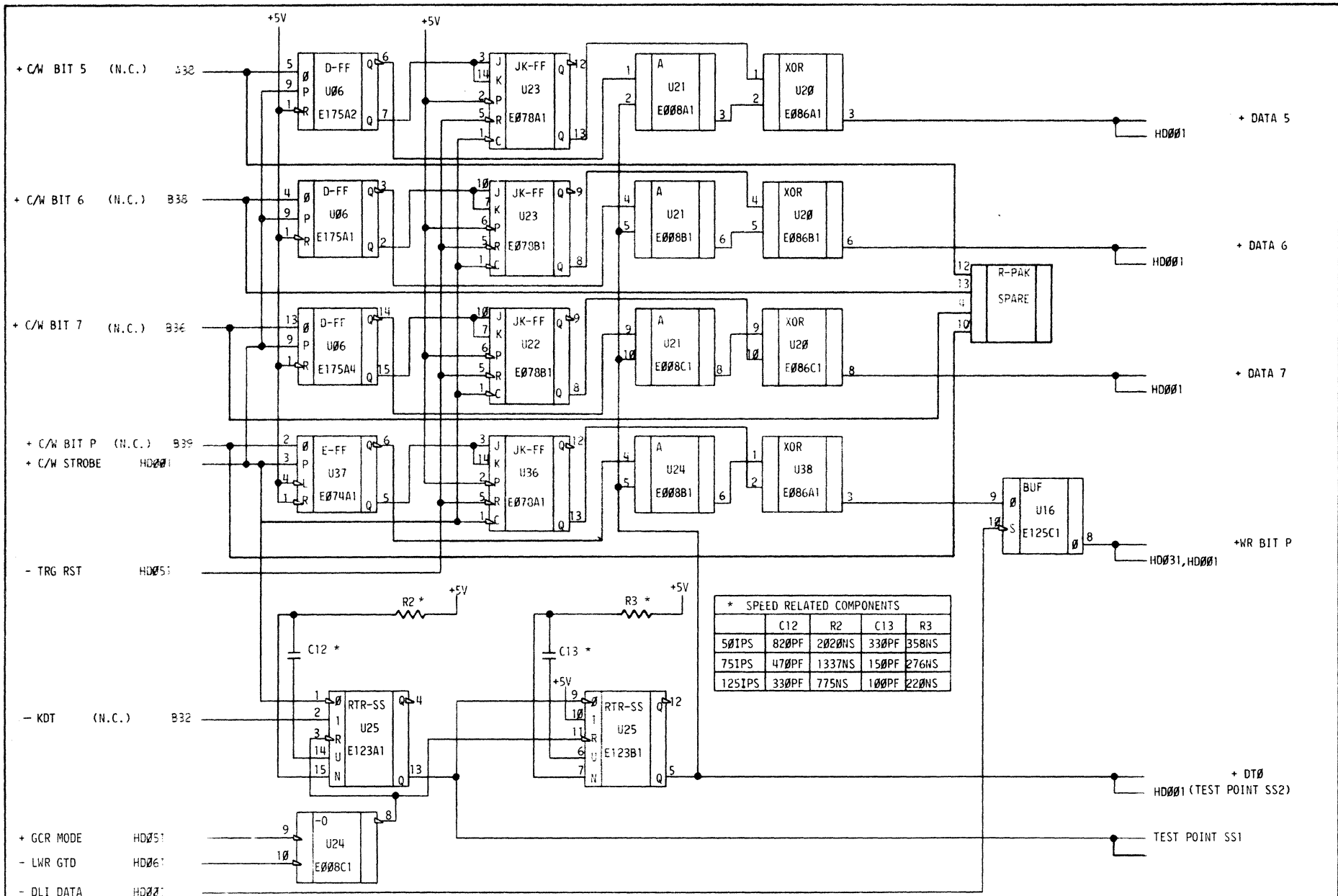
A
B
C
D
E
F
G
H
I



NOTES: UNLESS OTHERWISE SPECIFIED.
 1. RESISTORS ARE 1/4W, 5% AND VALUES ARE IN OHMS.

D.L.I. INTERFACE 0-4

PRES. E.C.	44767	MACH. VERS.	1950	CD. LOC.	J2	CD. P.N.	JD
PREV. E.C.	NONE	GBL. ROT.		GATE	A2	CD. TYPE	HD
DATE	7-7-82			FRAME		PG. P.N.	4022990-01



*NOTE: R2 & R3 ARE SELECTED AT TEST TO GIVE 33 TIME SHOWN IN TABLE.

- NOTES: UNLESS OTHERWISE SPECIFIED
1. RESISTORS ARE 1/4W, 5% AND VALUES ARE IN OHMS.
 2. ALL CAPACITORS ARE IN MICROFARADS.

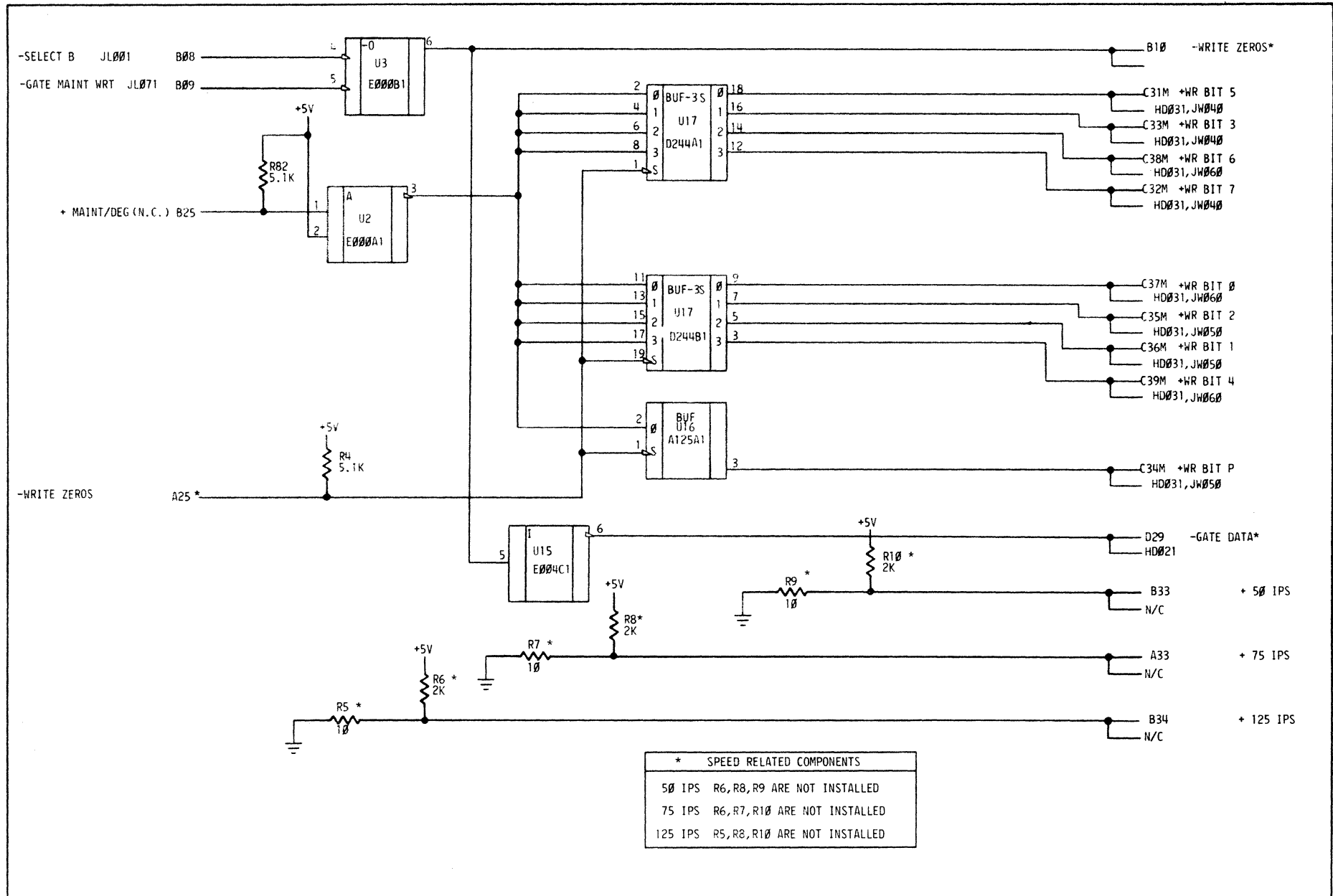
DLI INTERFACE 5,6,7,P AND DT0 SS

PRES. E.C. 44767
 PREV. E.C. NONE
 DATE 7-7-82

MACH. 1950
 VERS. GBL. ROT.

CD. LOC. A2
 GATE FRAME

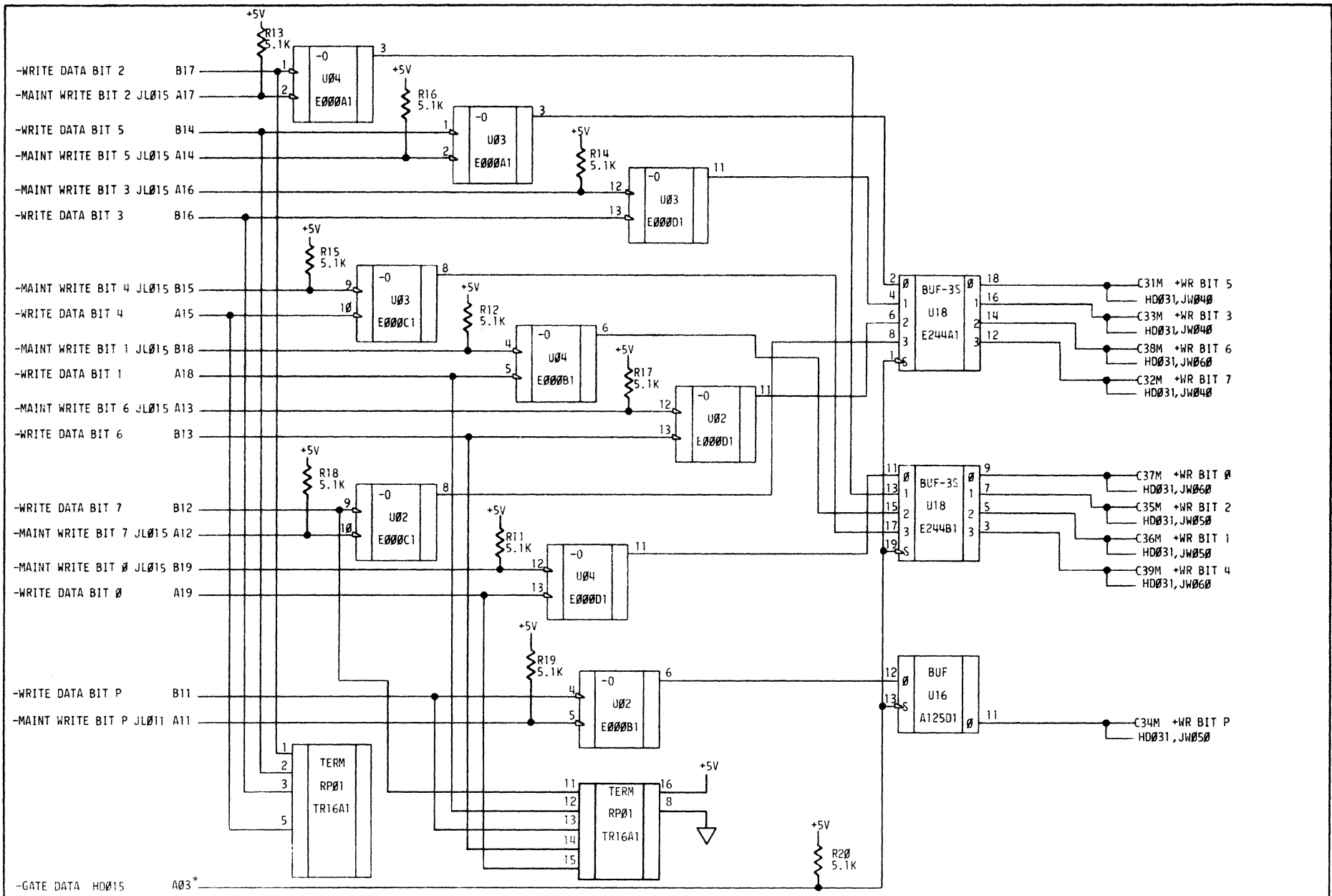
CD. P.N. HD
 PG. P.N. 4022991-01



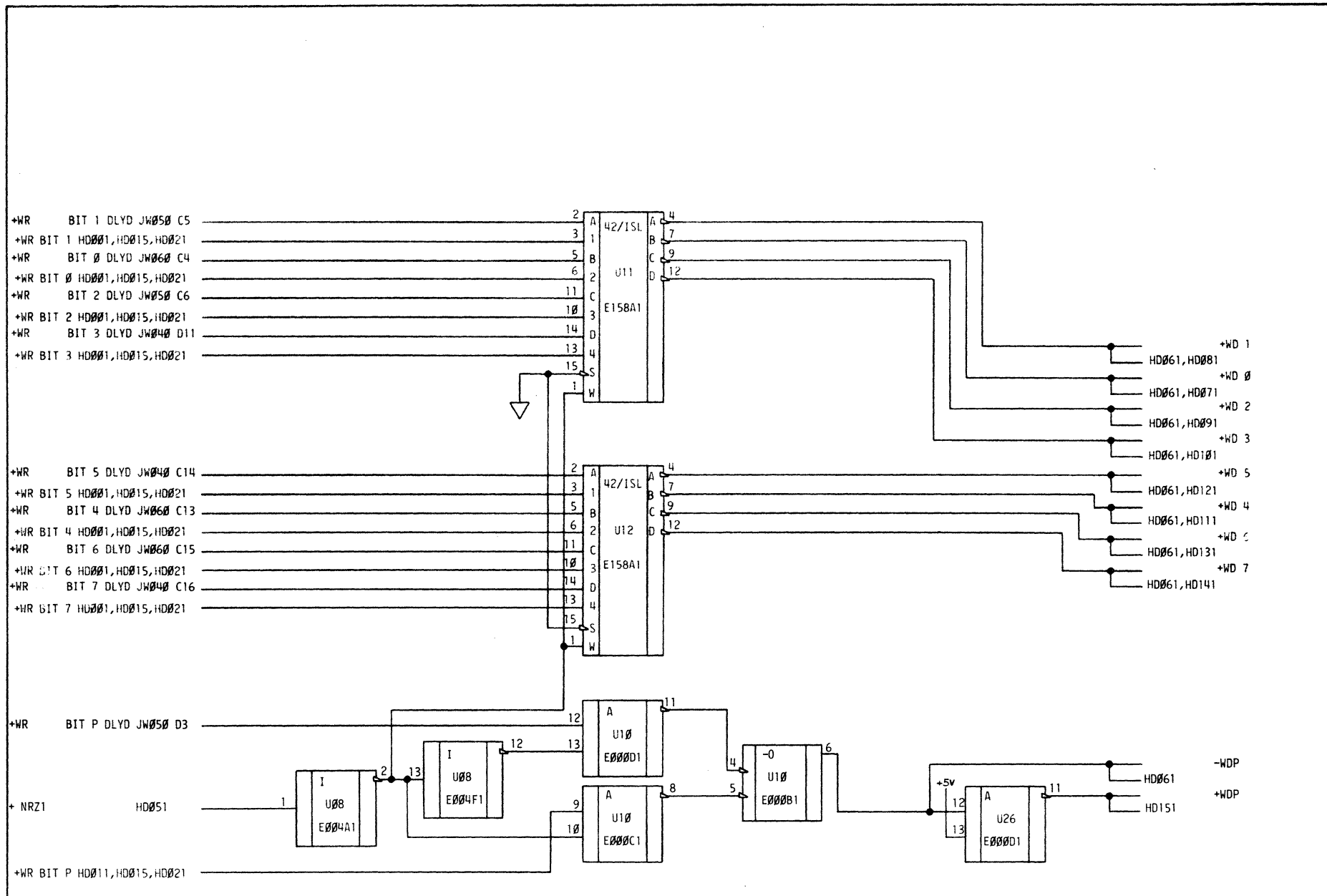
* SPEED RELATED COMPONENTS

50 IPS	R6, R8, R9 ARE NOT INSTALLED
75 IPS	R6, R7, R10 ARE NOT INSTALLED
125 IPS	R5, R8, R10 ARE NOT INSTALLED

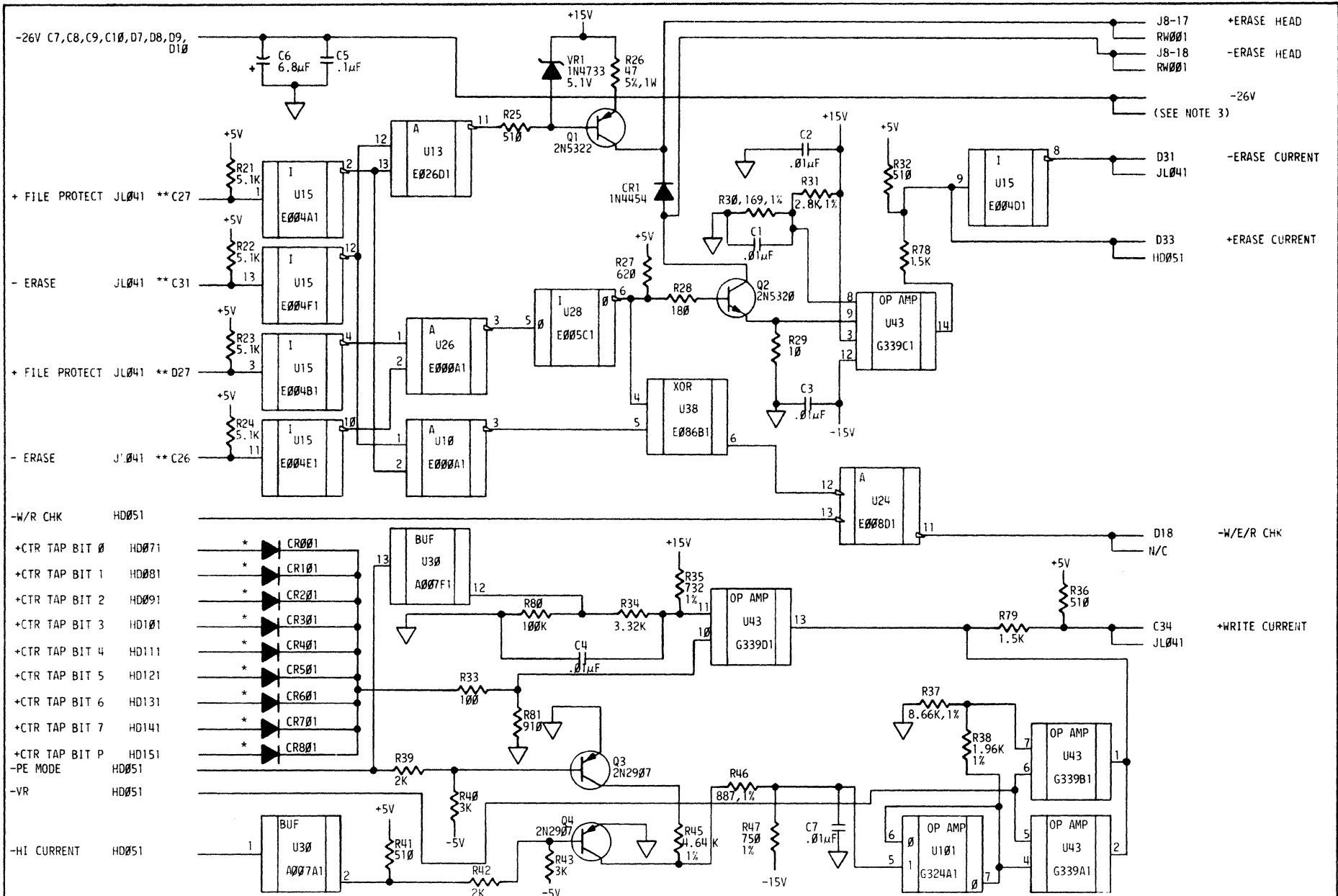
H D 0 1 5	NOTES: UNLESS OTHERWISE SPECIFIED	*B09 IS TIED TO A25 ON THE MOTHERBOARD.	MAINT/ DEG INPUT		H D 0 1 5
	1. RESISTORS ARE 1/4W, 5% AND VALUES ARE IN OHMS.	D29 IS TIED TO A03 ON THE MOTHERBOARD.	PRES. E.C. 44767	MACH. VERS. 1950	
GAF Polytrace 033			DATE 7-7-82	VER. E.C. NONE	CD. P.N. HD
				DATE 7-7-82	PG. PN. 4022992-01



H D 0 2 1	NOTES: UNLESS OTHERWISE SPECIFIED	*D29 IS TIED TO A03 ON THE MOTHERBOARD.	1950 DATA AND MAINT INPUTS			H D 0 2 1
	1. RESISTORS ARE 1/4W, 5% AND VALUES ARE IN OHMS. 2. ALL CAPACITORS ARE IN MICROFARADS.		PRES. E.C. 44767 PREV. E.C. NONE DATE 7-7-82	MACH. VERS. 1950 GBL. ROT.	CD. LOC. J2 GATE FRAME A2	



H D 0 3 1	WRITE DATA OR WRITE DATA DLYD GATING				H D 0 3 1
	PRES. E.C.	44767	MACH. VERS.	1950	
	PREV. E.C.	NONF	GBL. ROT.		
	DATE	7-7-82	CD. LOC. FRAME	J2 A2	
			CD. P.N.	HD	
			PG. P.N.	4022994-01	



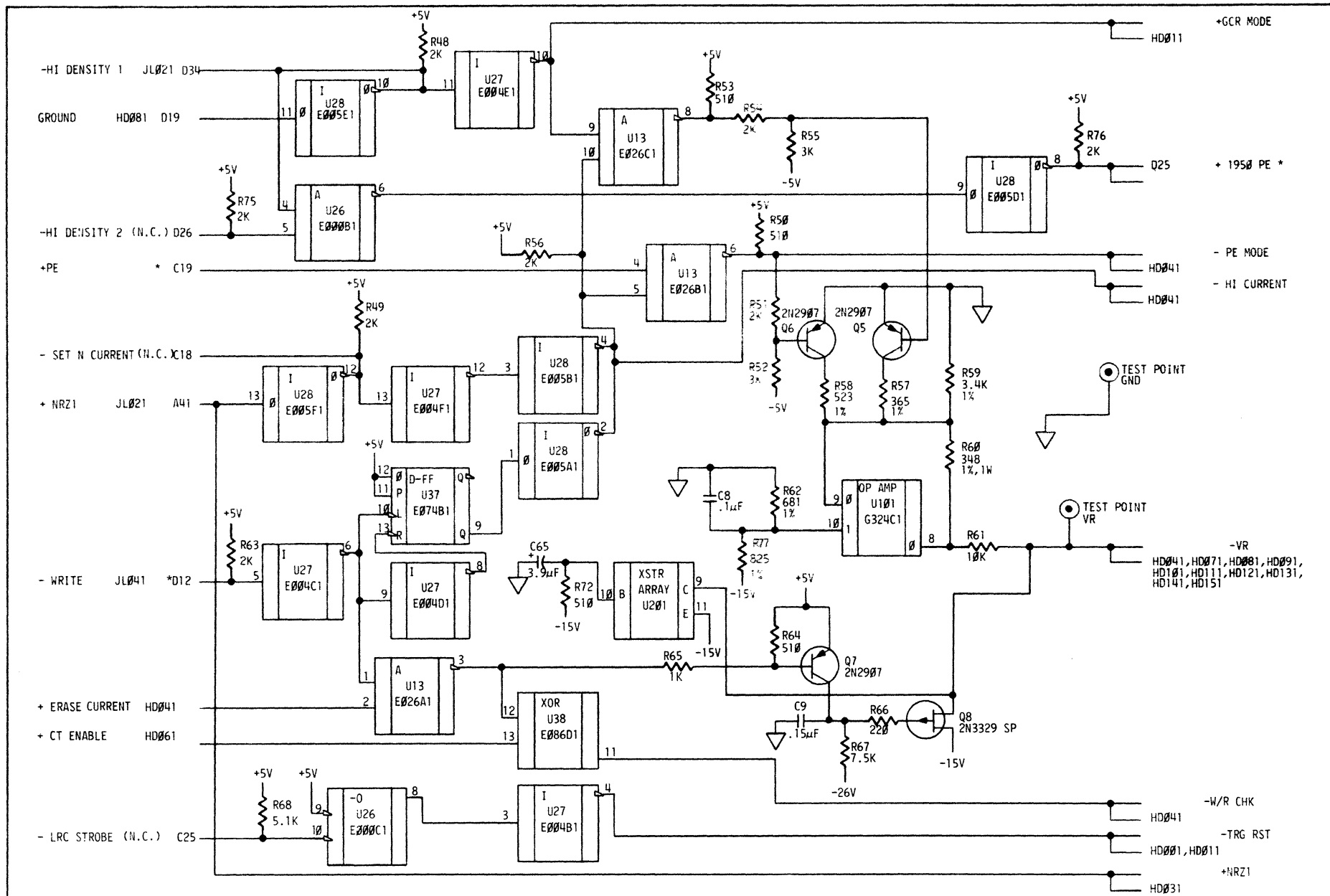
NOTES: UNLESS OTHERWISE SPECIFIED.

- *IN4001
1. RESISTORS ARE 1/4W, 5% AND VALUES ARE IN OHMS.
 2. ALL CAPACITORS ARE IN MICROFARADS.
 3. THIS LINE IS CONNECTED TO -26V INTERNAL POWER PLANE.

**C26 AND C31 ARE TIED TOGETHER ON THE MOTHERBOARD. D27 AND C27 ARE TIED TOGETHER ON THE MOTHERBOARD.

ERASE DRIVER AND WRITE CURRENT ON CHECK

PRES. E.C. DATE	44767 NONE 7-7-82	MACH. VERS. GBL. ROT.	1950	CD. LOC. GATE FRAME	J2 A2	CD. P.N. CD. TYPE HD PG. P.N.	4022995-01
-----------------	-------------------------	-----------------------	------	---------------------	----------	-------------------------------	------------



NOTES: UNLESS OTHERWISE SPECIFIED
 1. RESISTORS ARE 1/4W, 5% AND VALUES ARE IN OHMS.
 2. ALL CAPACITORS ARE IN MICROFARADS.

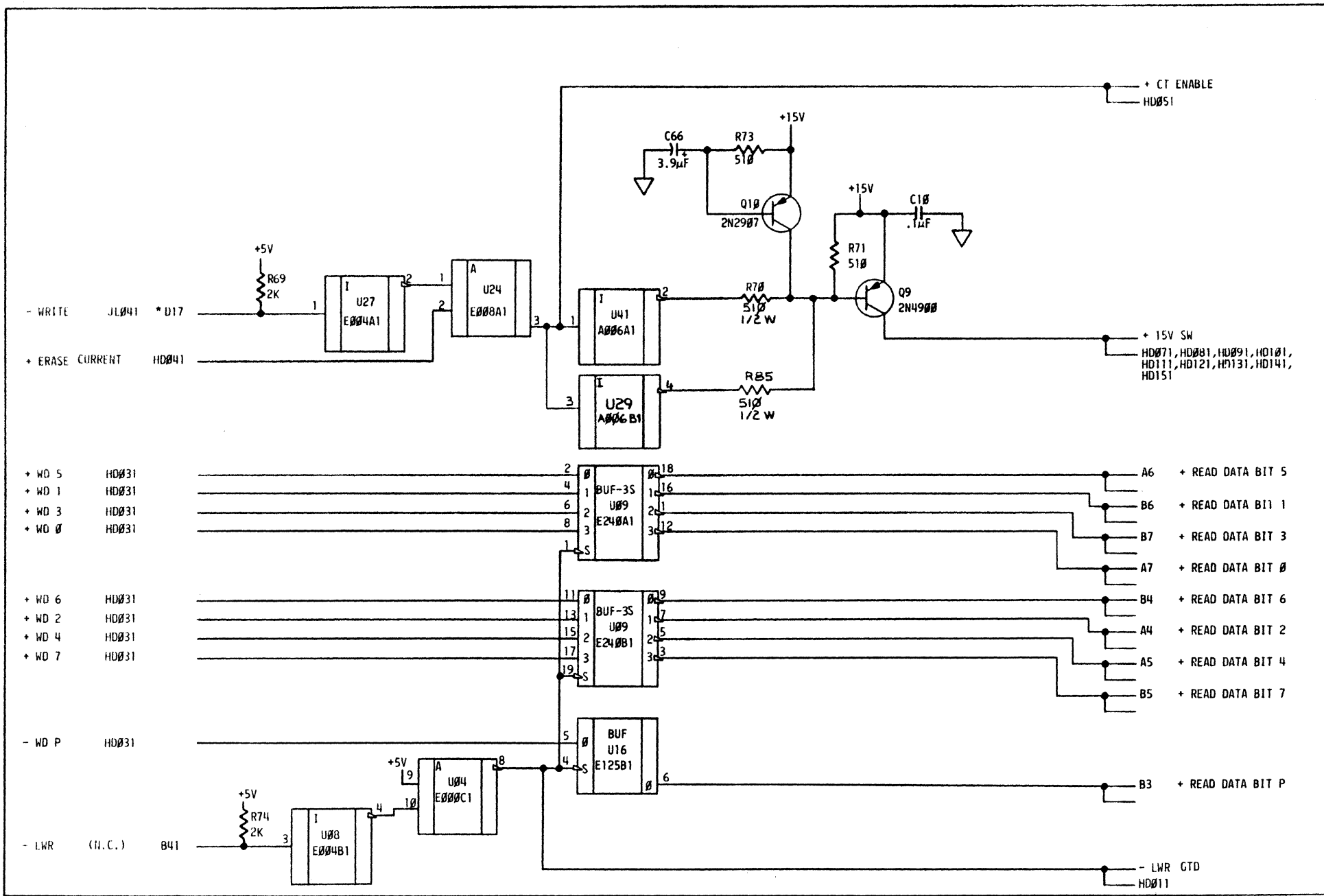
*NOTE: D25 IS TIED TO C19 ON THE MOTHERBOARD.
 D12 IS TIED TO D17 ON THE MOTHERBOARD.

VR GENERATION

PRES. E.C. PREV. E.C. DATE	44767	MACH. 1950 VERS. GBL. ROT.	CD. LOC. GATE FRAME	J2	CD. P.N. CD. TYPE PG. P.N.
	NONE			A2	
	7-7-82				

HD051

HD051



NOTES: UNLESS OTHERWISE SPECIFIED

1. RESISTORS ARE 1/4W, 5% AND VALUES ARE IN OHMS.
2. ALL CAPACITORS ARE IN MICROFARADS.

*D17 AND D12 ARE TIED ON THE MOTHERBOARD.

LWR BUS DRIVERS

PRES. E.C. 54966
 PREV. E.C. 44767
 DATE 12-30-83

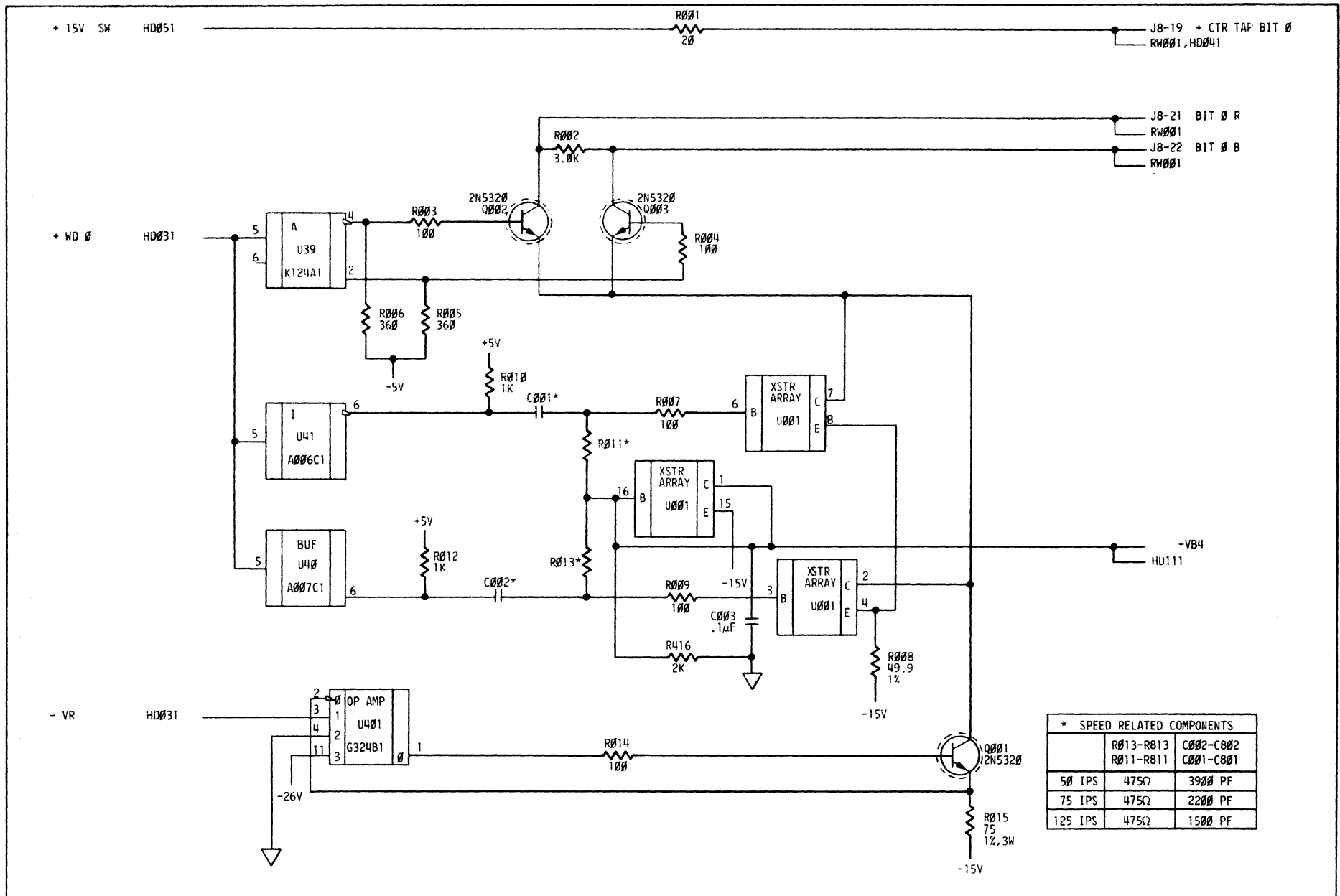
MACH. 1950
 VERS.
 GBL. ROT.

CD. LOC. J2
 GATE A2
 FRAME

CD. P.N. HD
 CD. TYPE HD
 PG. P.N. 4022997-02

HD
 0
 6
 1

HD
 0
 6
 1

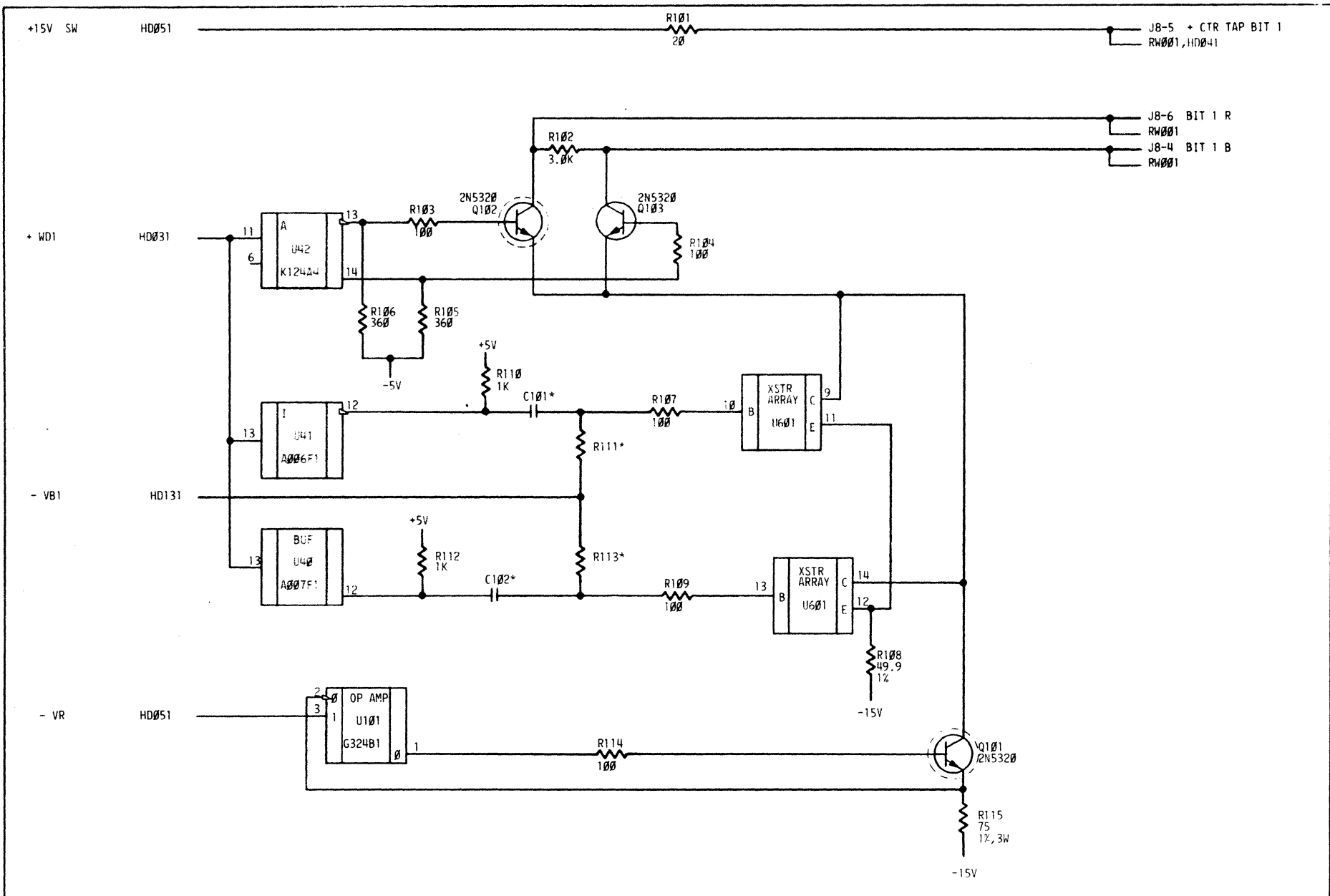


* SPEED RELATED COMPONENTS

	R013-R013 R011-R011	C002-C002 C001-C001
50 IPS	475Ω	3900 PF
75 IPS	475Ω	2200 PF
125 IPS	475Ω	1500 PF

NOTES: UNLESS OTHERWISE SPECIFIED
 1. RESISTORS ARE 1/4W, 5% AND VALUES ARE IN OHMS.
 2. ALL CAPACITORS ARE IN MICROFARADS.

WRITE DRIVER TRACK 0			
PRES. E.C.	44767	MACH.	1950
PREV. E.C.	NONE	VERS.	7-7-82
DATE		GBL. ROT.	
CD. LOC.	J2	CD. P.N.	
GATE	A2	CD. TYPE	HD
FRAME		PG. P.N.	4022998-01



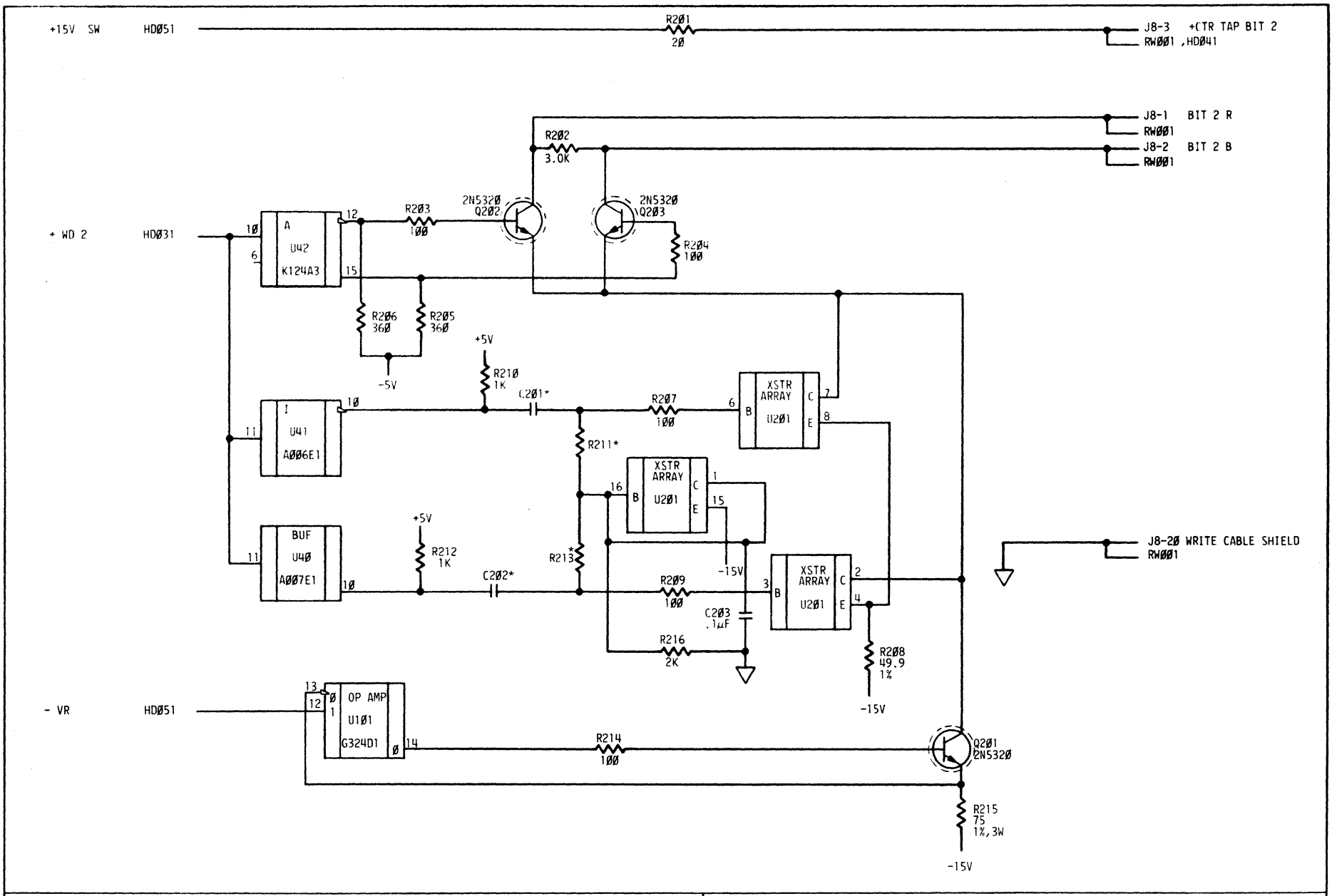
* SEE TABLE ON HD071

- NOTES: UNLESS OTHERWISE SPECIFIED
1. RESISTORS ARE 1/4W, 5% AND VALUES ARE IN OHMS.
 2. ALL CAPACITORS ARE 1% MICROFARADS.

		WRITE DRIVER TRACK 1			
PRES. E.C.	44767	MACH. VERS.	1950	CD. LOC. GATE FRAME	J2 A2
PREV. E.C.	NONE	GBL. ROT.		CD. P.N.	HD
DATE	7-7-82			PG. P.N.	4022999-01

HD081

HD081



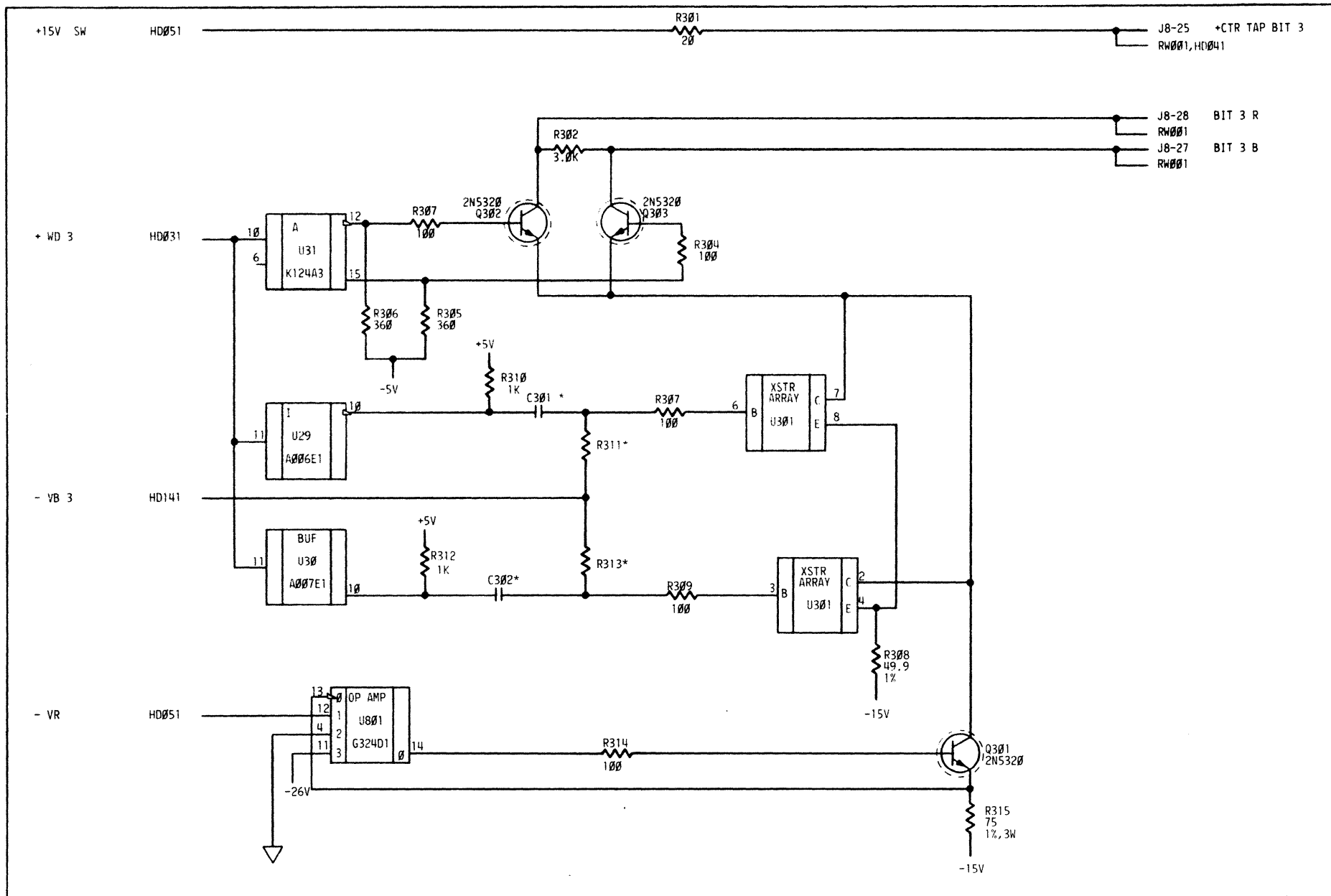
* SEE TABLE ON HD071

NOTES: UNLESS OTHERWISE SPECIFIED
 1. RESISTORS ARE 1/4W, 5% AND VALUES ARE IN OHMS.
 2. ALL CAPACITORS ARE IN MICROFARADS.

WRITE DRIVER TRACK 2			
PREV. E.C.	44767	MACH.	1950
PREV. E.C.	NONE	VERS.	
DATE	7-7-82	GBL. ROT.	
CD. LOC.	J2	CD. P.N.	
GATE	A2	CD. TYPE	HD
FRAME		PG. P.N.	4023000-01

HD091

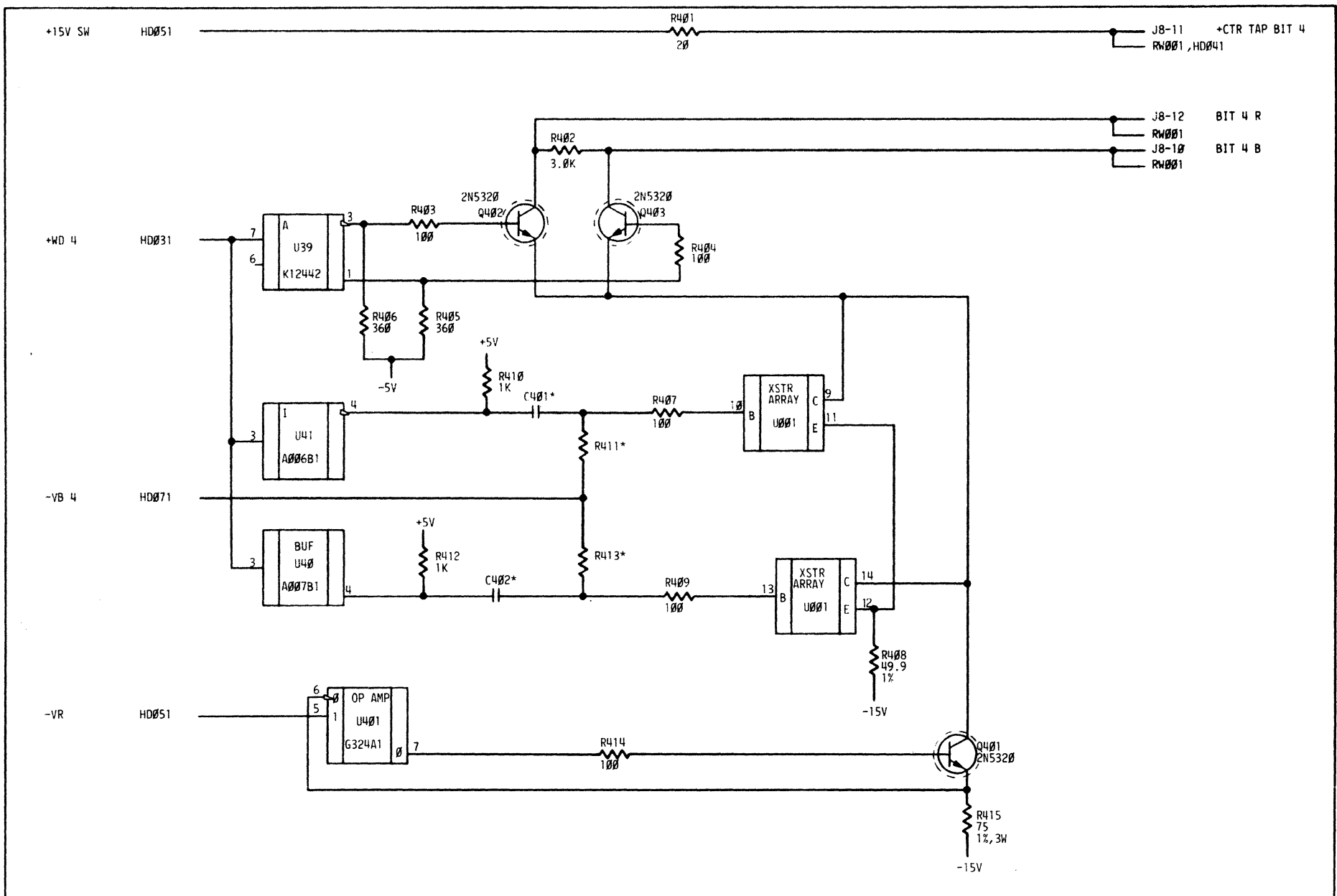
HD091



* SEE TABLE ON HD071

- NOTES: UNLESS OTHERWISE SPECIFIED
 1. RESISTORS ARE 1/4W, 5% AND VALUES ARE IN OHMS.
 2. ALL CAPACITORS ARE IN MICROFARADS.

WRITE DRIVER TRACK 3			
PRES. E.C.	44767	MACH. VERS.	1950
PREV. E.C.	NONE	GBL. ROT.	
DATE	7-7-82	CD. LOC. FRAME	J2 A2
		CD. P.N.	HD
		CD. TYPE	4023001-01
		PG. PN.	



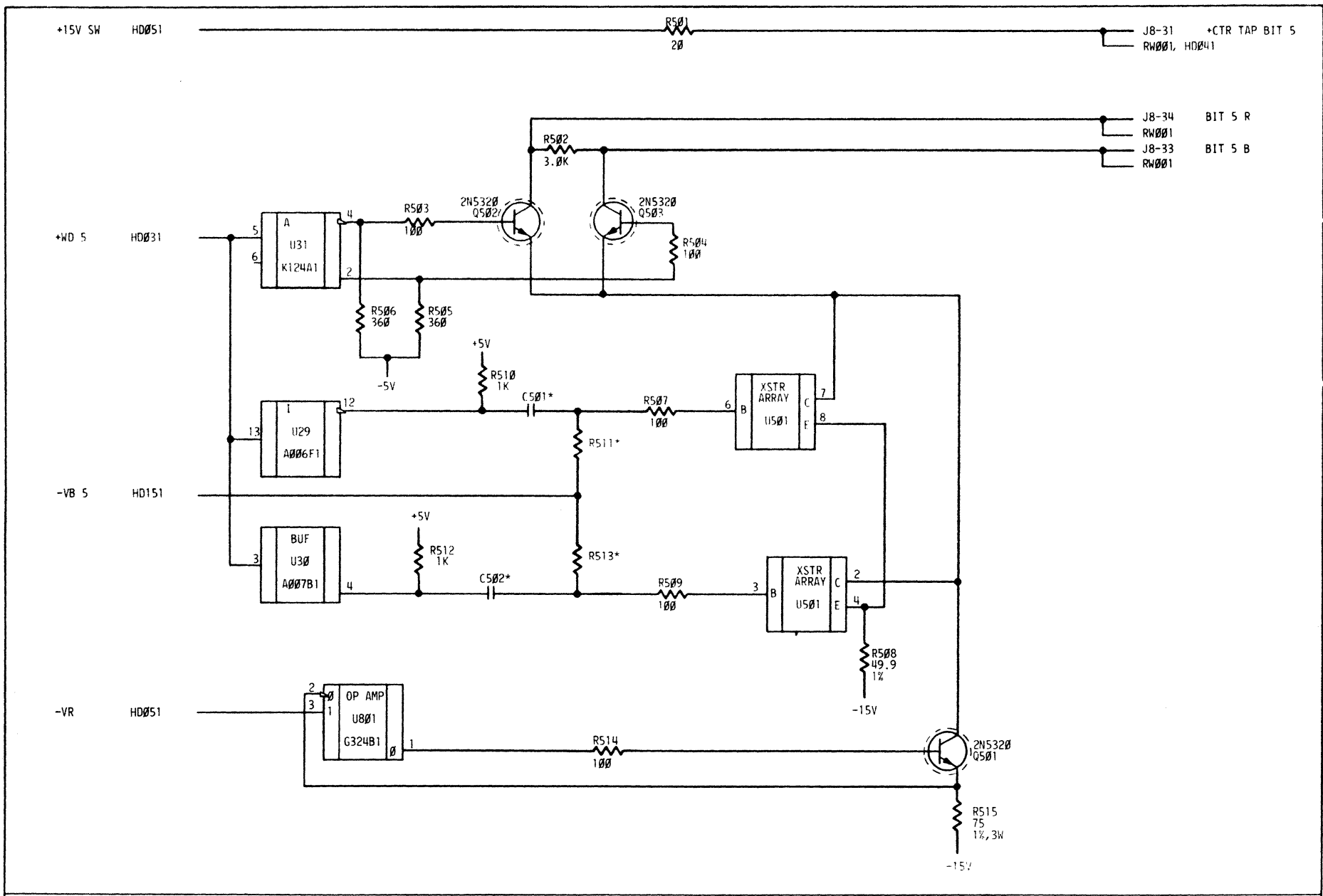
* SEE TABLE ON HD071

NOTES: UNLESS OTHERWISE SPECIFIED
 1. RESISTORS ARE 1/4W, 5% AND VALUES ARE IN OHMS.
 2. ALL CAPACITORS ARE IN MICROFARADS.

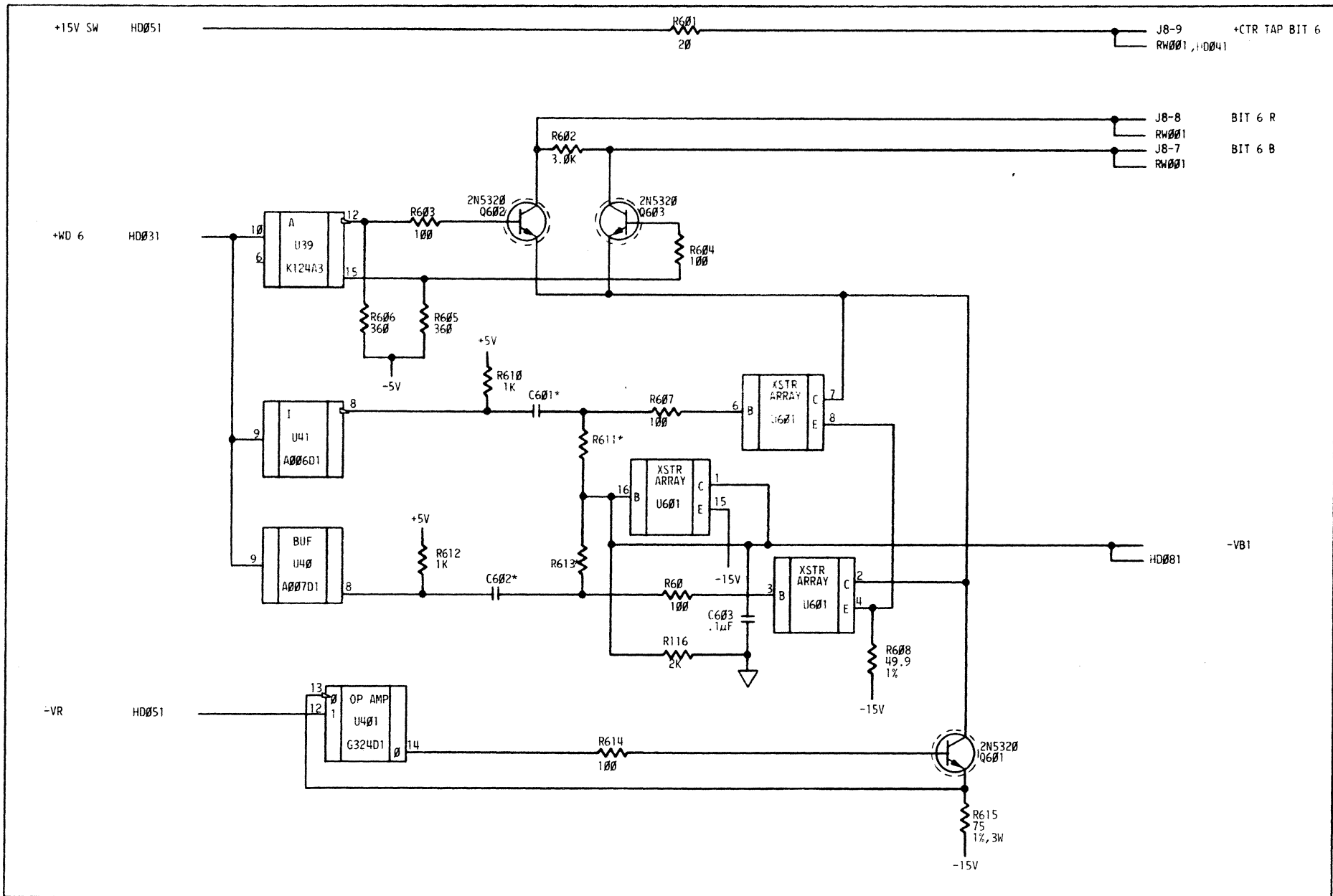
WRITE DRIVER TRACK 4			
PRES. E.C.	44767	MACH. VERS.	1950
PREV. E.C.	*NONE	GBL. ROT.	
DATE	7-7-82	CD. LOC. GATE FRAME	J2 A2
		CD. P.N. CD. TYPE	HD
		PG. P.N.	4023002-01

HD
1
1
1

HD
1
1
1



HD 1 2 1	* SEE TABLE ON HD070		NOTES: UNLESS OTHERWISE SPECIFIED 1. RESISTORS ARE 1/4W, 5% AND VALUES ARE IN OHMS. 2. ALL CAPACITORS ARE IN MICROFARADS.		WRITE DRIVER TRACK 5		HD 1 2 1		
	PRES. E.C. PREV. E.C. DATE	44767 NONE 7-7-82	MACH. VERS. GBL. ROT.	1950 	CD. LOC. GATE FRAME	J2 A2		CD. P.N. CD. TYPE PG. P.N.	HD 4023003-01

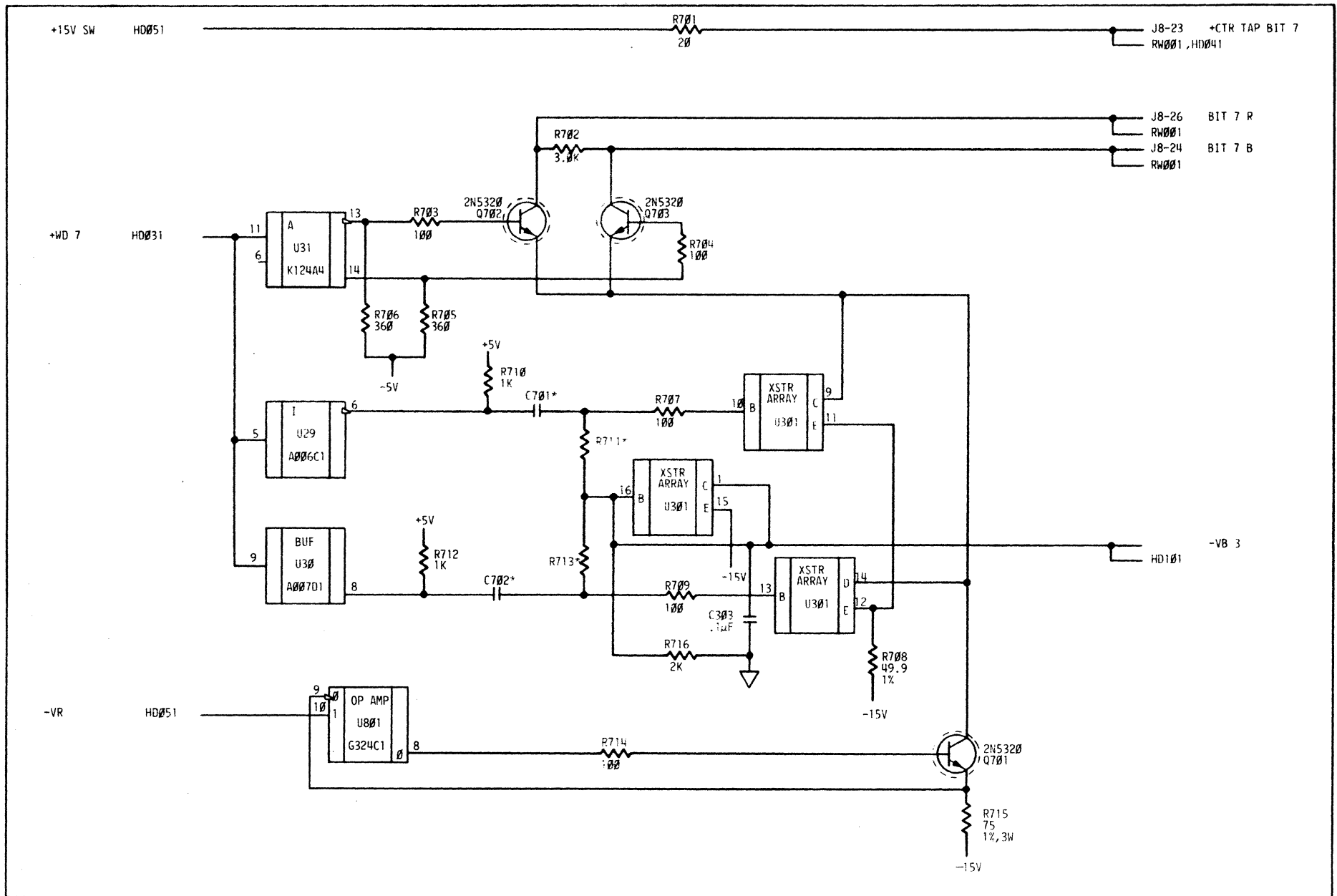


* SEE TABLE ON HD071

NOTES: UNLESS OTHERWISE SPECIFIED
 1. RESISTORS ARE 1/4W, 5% AND VALUES ARE IN OHMS.
 2. ALL CAPACITORS ARE IN MICROFARADS

WRITE DRIVER TRACK 6

PREV. E.C. DATE	08-767 NONE 7-7-82	MACH. 1950 VERS. GBL. ROT.	CD. LOC. J2 GATE A2 FRAME	CD. P.N. HD PG. P.N. 4023004-01
--------------------	--------------------------	----------------------------------	---------------------------------	------------------------------------



SEE TABLE ON HD071

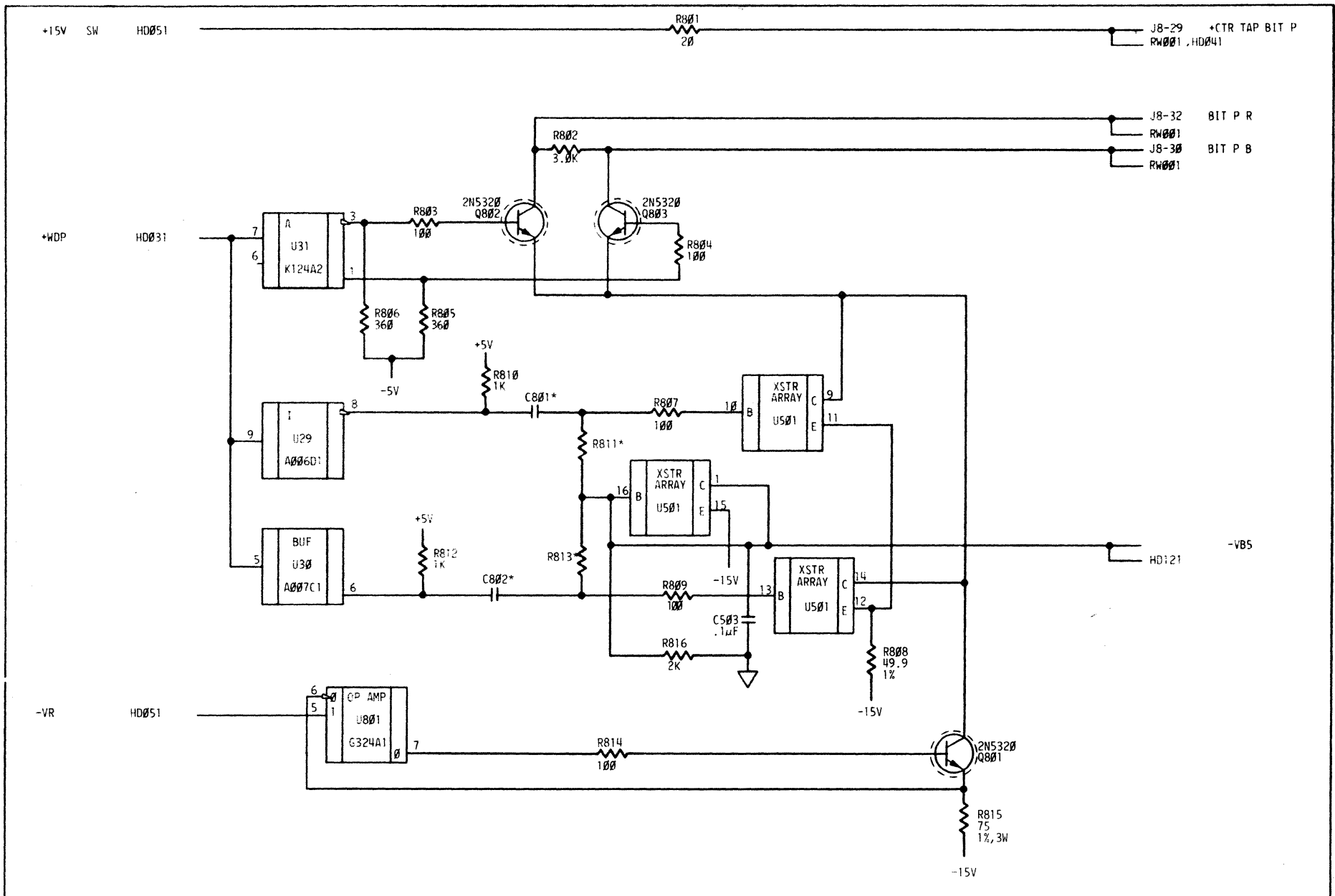
- NOTES: UNLESS OTHERWISE SPECIFIED
1. RESISTORS ARE 1/4W, 5% AND VALUES ARE IN OHMS.
 2. ALL CAPACITORS ARE IN MICROFARADS.

WRITE DRIVER TRACK 7

PRES. E.C.	44767	MACH.	1950	CD. LOC.	J2	CD. P.N.	
PREV. E.C.	NONE	VERS.		GATE	A2	CD. TYPE	HD
DATE	7-7-82	GBL. ROT.		FRAME		PG. P.N.	4023025-21

HD
1
4
1

HD
1
4
1

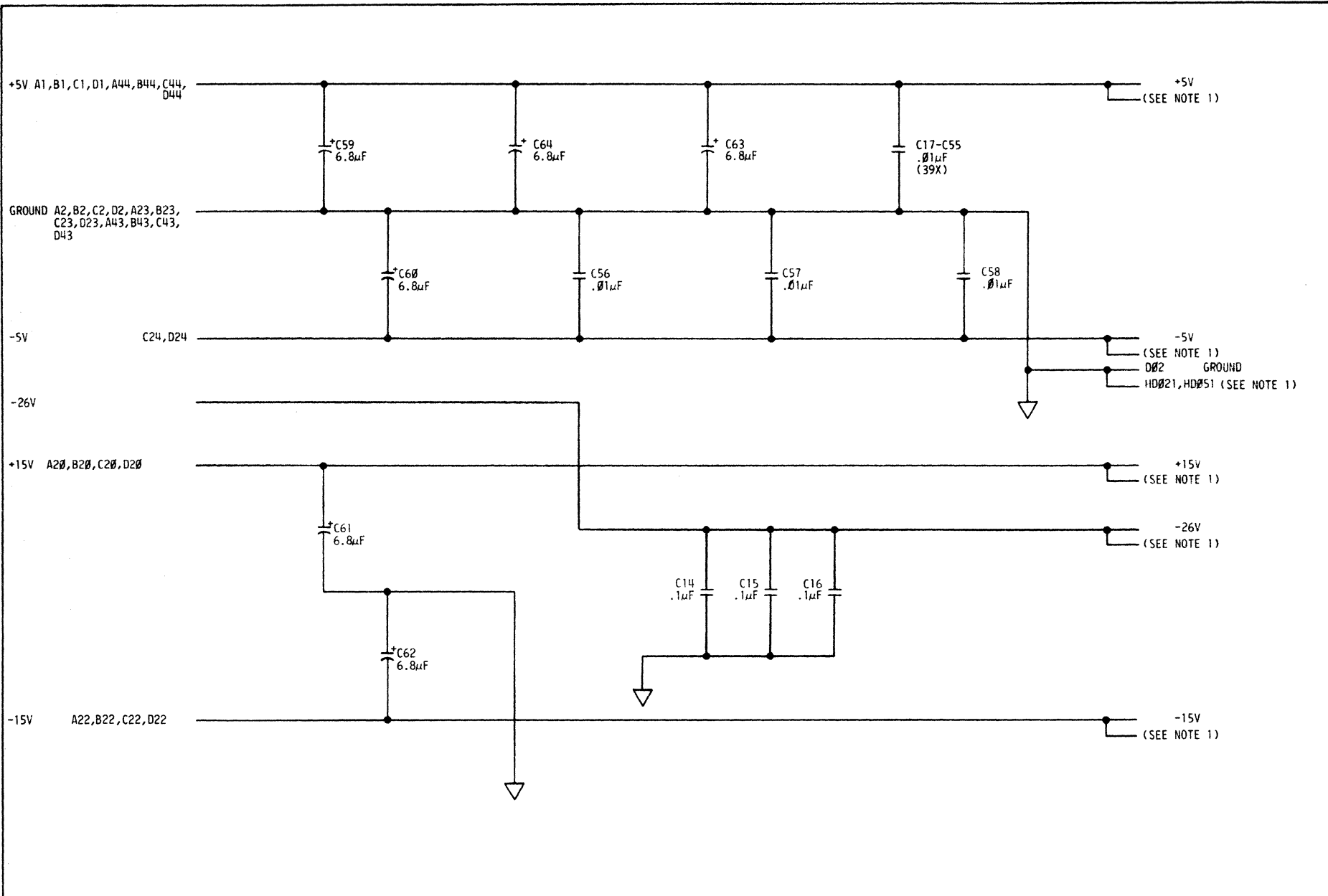


* SEE TABLE ON HD071

NOTES: UNLESS OTHERWISE SPECIFIED
 1. RESISTORS ARE 1/4W, 5% AND VALUES ARE IN OHMS.
 2. ALL CAPACITORS ARE IN MICROFARADS.

WRITE DRIVER TRACK P			
PREV. E.C.	44767	MACH.	1950
PREV. E.C.	NONE	VERS.	
DATE	7-7-82	GBL. ROT.	
CD. LOC.	J2	CD. P.N.	HD
GATE	A2	CD. TYPE	
FRAME		PG. P.N.	4023006-01

H
0
1
5
1



NOTES: UNLESS OTHERWISE SPECIFIED

1. THESE LINES ARE CONNECTED TO INTERNAL POWER AND GROUND PLANES.

POWER SUPPLY BYPASS CAPACITORS				H
PRE. E.C.	44767	MACH.	1950	D
PREV. E.C.	NONE	VERS.		1
DATE	7-7-82	GBL. ROT.		6
CD. LOC.	J2	CD. P.N.		i
GATE	A2	CD. TYPE	HD	
FRAME		PG. P.N.	4023007-01	



Storage Technology Corporation
TECHNOLOGY CORP.

ASSEMBLY PARTS LIST
BUILD ARC DOC

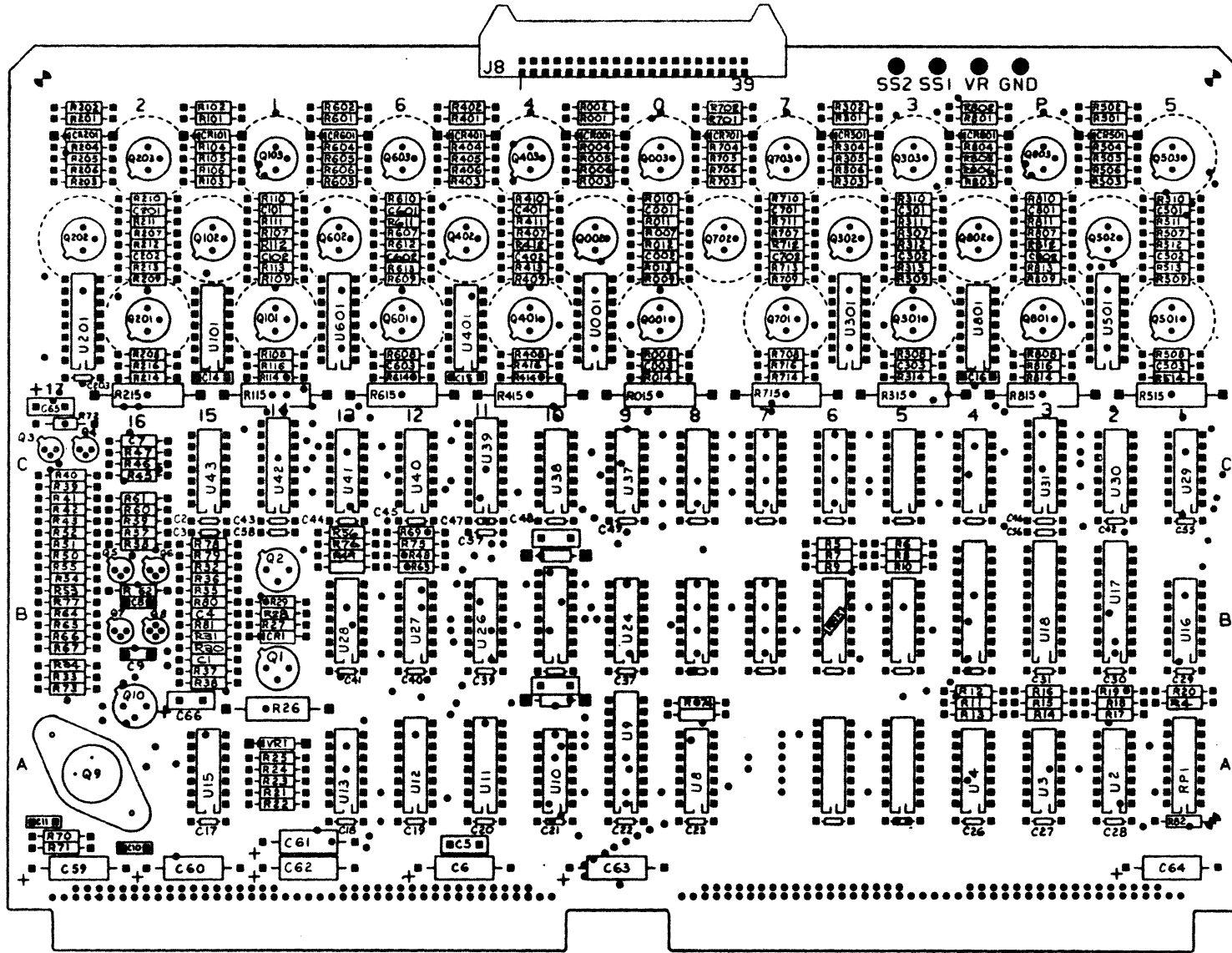
PRINT DATE	PAGE	E.C. NO.
06-28-84	1	54966

DIV.	ASSEMBLY NUMBER	CD	REV.	DWG.	DESCRIPTION	MC	STATUS	STATUS DATE	FILE DATE					
0500	401534703	4	D	N	SYS LGC GP, HD, PC, MULTI/PN'S	N	REL	12-21-83	1950 01-09-84					
Find no	LI	PART NUMBER	CD	M	QUANTITY	U/M	PART DESCRIPTION	MC	YLD	E.C. NO IN	E.C. NO. OUT	S/N	WK IN	WK OUT
000	01	401534803	2		REF	PC	CD LGC, AB001, HD, PC	D						
001	01	402386001	0		REF	PC	SYS LGC, HD001, PC	D						
015	01	402300801	6		REF	PC	SYS LGC, HD015, PC	D						
021	01	402300901	4		REF	PC	SYS LGC, HD021, PC	D						
031	01	402301001	2		REF	PC	SYS LGC, HD031, PC	D						
041	01	402301101	0		REF	PC	SYS LGL, HD041, PC	D						
051	01	402301201	8		REF	PC	SYS LGC, HD051, PC	D						
061	01	402301302	4		REF	PC	SYS LGC, HD061, PC	D						
071	01	402301401	4		REF	PC	SYS LGC, HD071, PC	D						
081	01	402301501	1		REF	PC	SYS LGC, HD081, PC	D						
091	01	402301601	9		REF	PC	SYS LGC, HD091, PC	D						
101	01	402301701	7		REF	PC	SYS LGC, HD101, PC	D						
111	01	402301801	5		REF	PC	SYS LGC, HD111, PC	D						
121	01	402301901	3		REF	PC	SYS LGC, HD121, PC	D						
131	01	402302001	1		REF	PC	SYS LGC, HD131, PC	D						
141	01	402302101	9		REF	PC	SYS LGC, HD141, PC	D						
151	01	402302201	7		REF	PC	SYS LGC, HD151, PC	D						
161	01	402302301	5		REF	PC	SYS LGC, HD161, PC	D						
500	01	401220307	3		REF	PC	CKT CD, HD, PC ASSY, 50IPS	S						
501	01	401221307	2		REF	PC	CKT CD, HD, PC ASSY, 75IPS	S						
502	01	400521308	9		REF	PC	CKT CD, HD, PC ASSY, 125IPS	S						

ASSEMBLY PARTS LIST
BUILD ARC DOC

PRINT DATE	PAGE	E.C. NO.
06-28-84	2	54966

DIV.	ASSEMBLY NUMBER	CD	REV.	DWG	DESCRIPTION	MC	STATUS	STATUS DATE	FILE DATE					
0500	401534703	4	D	N	SYS LGC GP, HD, PC, MULTI/PN'S	N	REL	12-21-83	1950	01-09-84				
T Find no	LI	PART NUMBER	CD	M	QUANTITY	U/M	PART DESCRIPTION	MC	YLD	E.C. NO. IN	E.C. NO. OUT	S/N	WK IN	WK OUT
							0021 TOTAL LINES							



NOTE: CARD PIN'S:

50 IPS 40122037-5
 75 IPS 46121307-4
 125 IPS 400521308-1

PRES. E.C. 54966
 PREV. E.C. 44538
 DATE 12-30-83

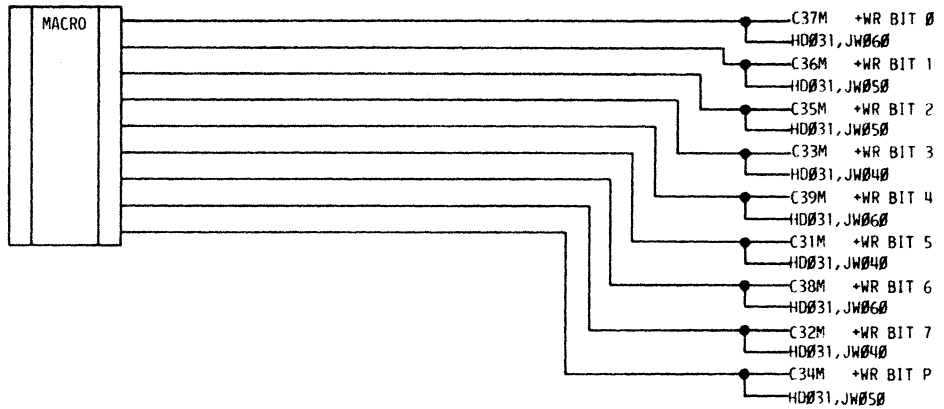
MACH.1950
 VERS.
 GBL. ROT.

CD. LOC. J2
 GATE
 FRAME

CD. P.N. SEE NOTE
 CD. TYPE HD
 PG. PN. 4015348/3

A
B
C
D
1

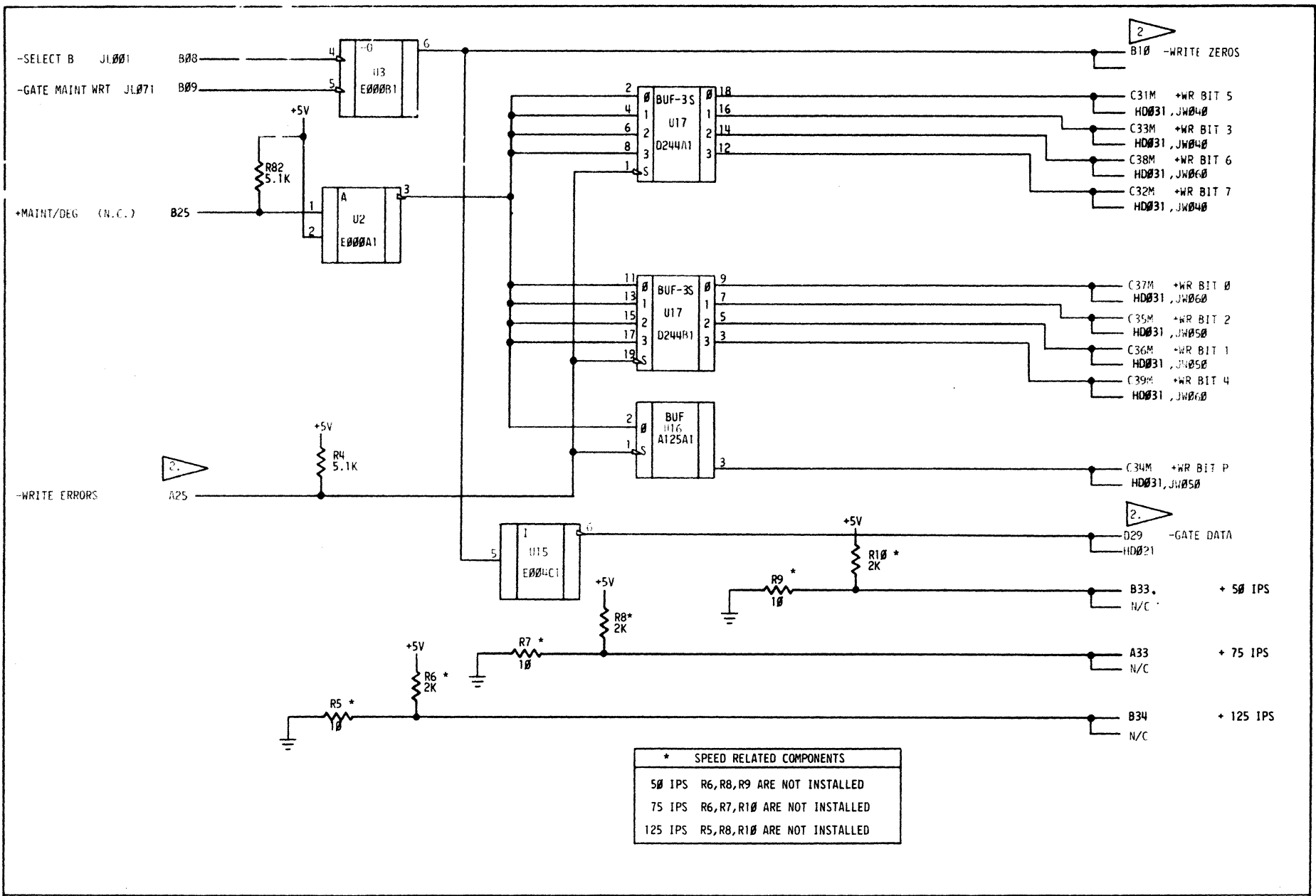
A
B
C
D
1



HD031

MACRO BLOCK			
PRES. E.C. 44767 PREV. E.C. NONE DATE 7-7-82	MACH. 1950 VERS. GBL. ROT.	CD. LOC. J2 GATE A2 FRAME	CD. PN. CD. TYPE HD PG. PN. 4023860-01

HD031



* SPEED RELATED COMPONENTS

50 IPS	R6, R8, R9 ARE NOT INSTALLED
75 IPS	R6, R7, R10 ARE NOT INSTALLED
125 IPS	R5, R8, R10 ARE NOT INSTALLED

NOTES: UNLESS OTHERWISE SPECIFIED
 1. RESISTORS ARE 1/4W, 5% AND VALUES ARE IN OHMS.

2. B10 IS TIED TO A25 ON THE MOTHERBOARD.
 D29 IS TIED TO A03 ON THE MOTHERBOARD.

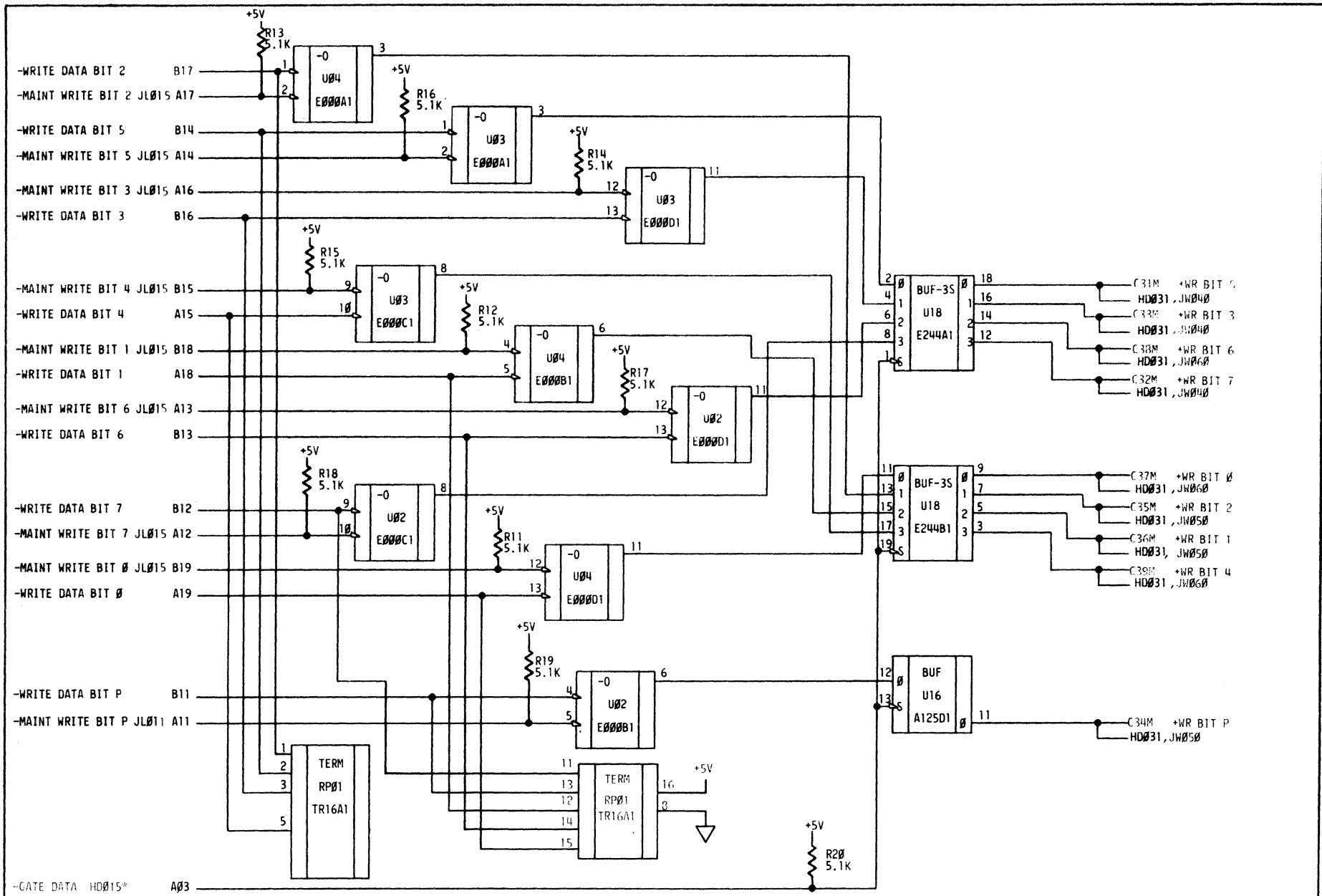
WRITE TRIGGER, NEGATING

PRES. E.C. 44767
 PREV. E.C. NONE
 DATE 7-7-82

MACH. 1950
 VERS. GBL. ROT.

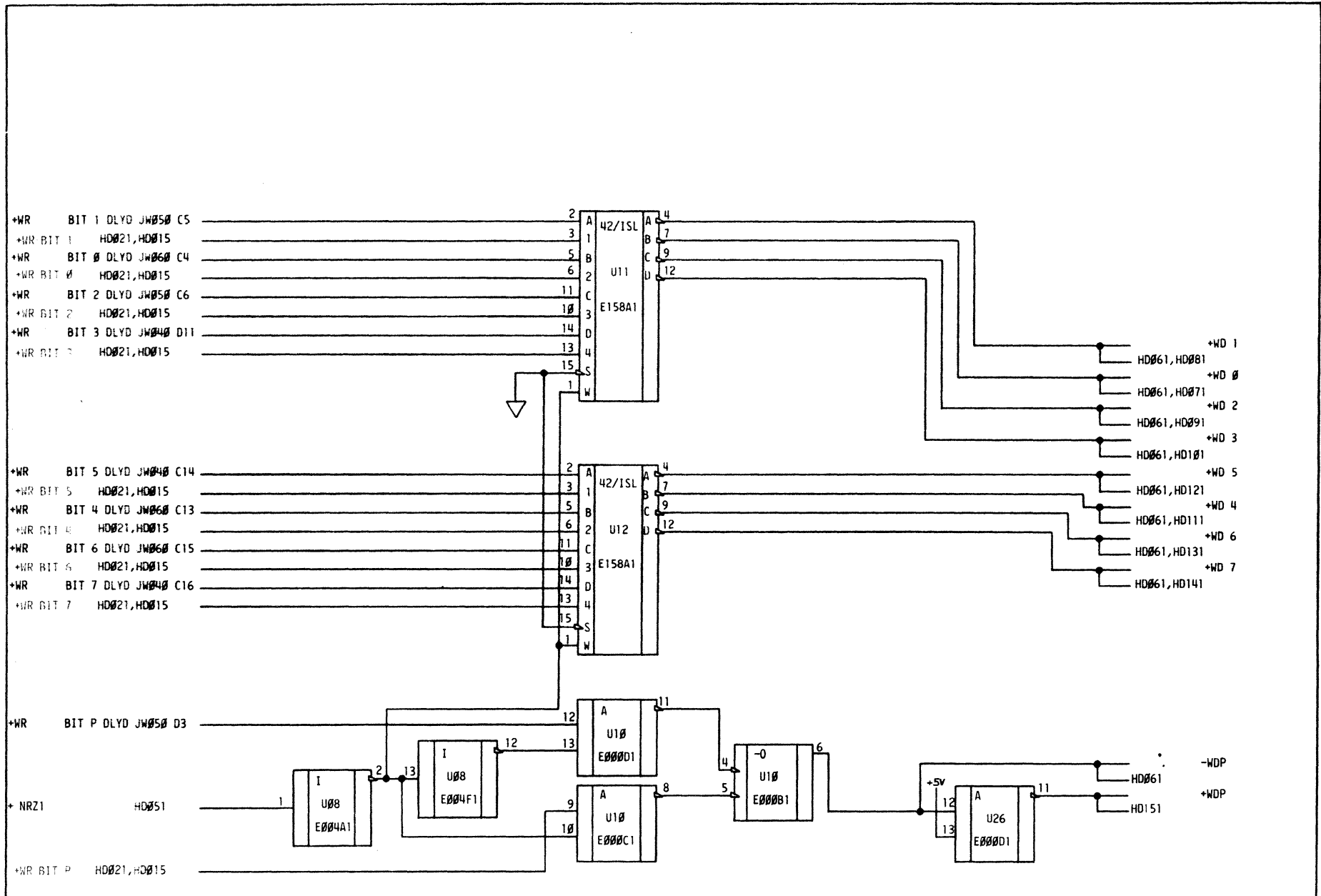
CD. LOC. J2
 GATE FRAME A2

CD. P.N. HD
 CD. TYPE HD
 PG. P.N. 4023008-01

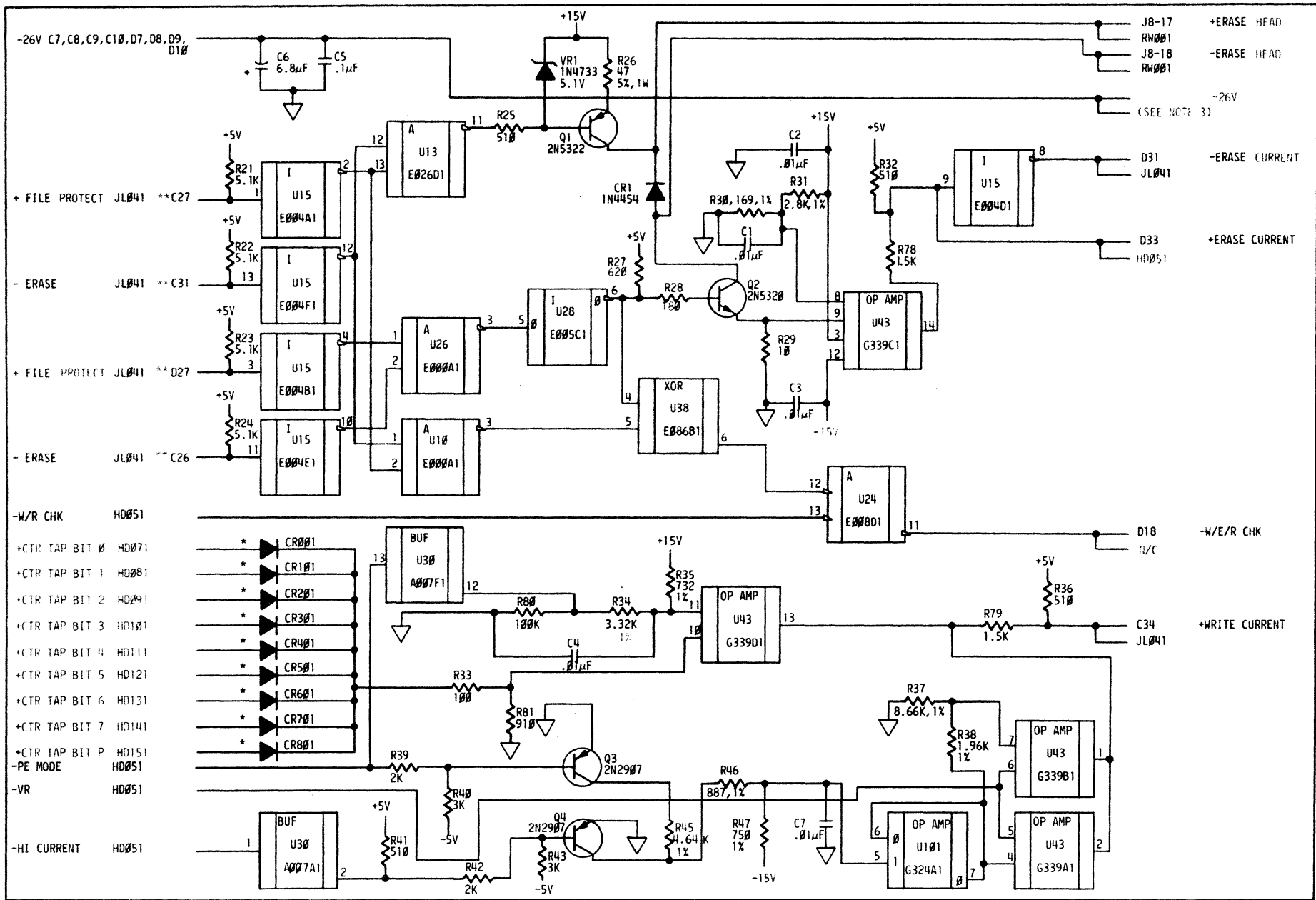


NOTES: UNLESS OTHERWISE SPECIFIED.
 1. RESISTORS ARE 1/4W, 5% ANF VALUES ARE IN OHMS.
 *D29 IS TIED TO A03 ON THE MOTHERBOARD.

PREV. E.C. 44767 DATE 7-7-82		MACH. VRS. 1950 GBL. ROT.		CD. LOC. J2 GATE FRAME A2		CD. P.N. HD PG. P.N. 4023009-01	
---	--	--	--	--	--	--	--



H D 0 3 1	WRITE DATA OR WRITE DATA DLYD GATING				H D 0 3 1
	PRES. E.C. 44767 PREV. E.C. NONE DATE 7-7-82	MACH. 1950 VERS. GBL. ROT.	CD. LOC. J2 GATE A2 FRAME	CD. P.N. CD. TYPE HD PG. P.N. 4023010-01	
	GAF Polytrace 033				



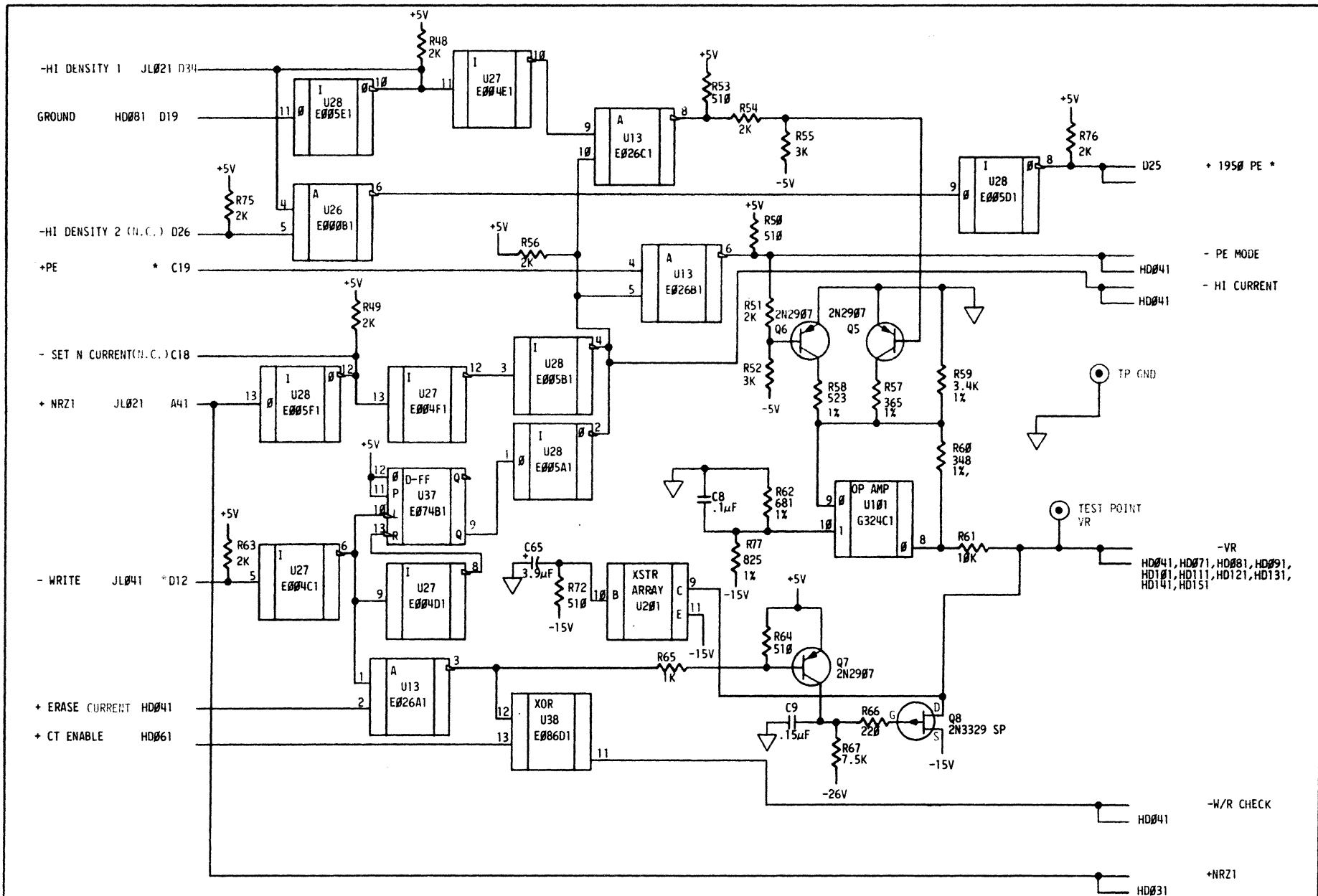
NOTES: UNLESS OTHERWISE SPECIFIED

- *1N4001 1. RESISTORS ARE 1/4W, 5% AND VALUES ARE IN OHMS.
- 2. ALL CAPACITORS ARE IN MICROFARADS.
- 3. THIS LINE IS CONNECTED TO THE -26V INTERNAL POWER PLANE.

**C26 AND C31 ARE TIED TOGETHER ON THE MOTHERBOARD. D27 AND C27 ARE TIED TOGETHER ON THE MOTHERBOARD

ERASE DRIVER AND WRITE CURRENT ON CHECK

PRES. E.C. 1957	MACH. 1950	CD. LOC. J2	CD. P.N. HD
PREV. E.C. NONE	VERS. 08L. ROT.	GATE FRAME	CD. TYPE PG. P.N. 203011-01
DATE 7-7-82			

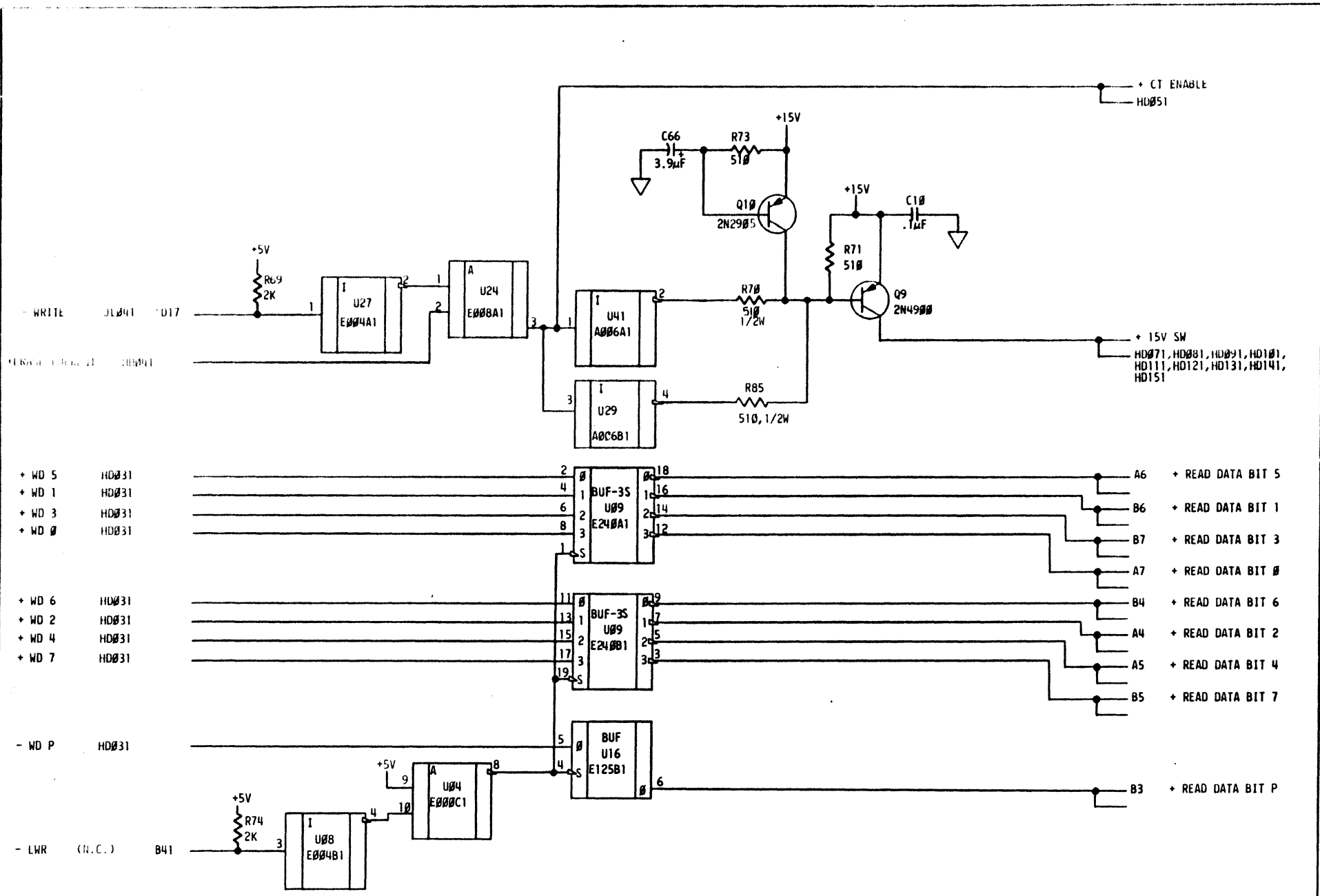


* NOTE: D25 IS TIED TO C19 ON THE MOTHERBOARD. D12 IS TIED TO D17 ON THE MOTHERBOARD.

- NOTES: UNLESS OTHERWISE SPECIFIED
1. RESISTORS ARE 1/4W, 5% AND VALUES ARE IN OHMS.
 2. ALL CAPACITORS ARE IN MICROFARADS.

VR GENERATION

PREV. E.C. DATE	44767 PONE 7-7-82	MACH. VERS. GBL. ROT.	1950	CD. LOC. FRAME	J2 A2	CD. P.N. PG. P.N.	HD 023012-01
-----------------	-------------------------	-----------------------	------	----------------	----------	-------------------	-----------------



NOTES: UNLESS OTHERWISE SPECIFIED

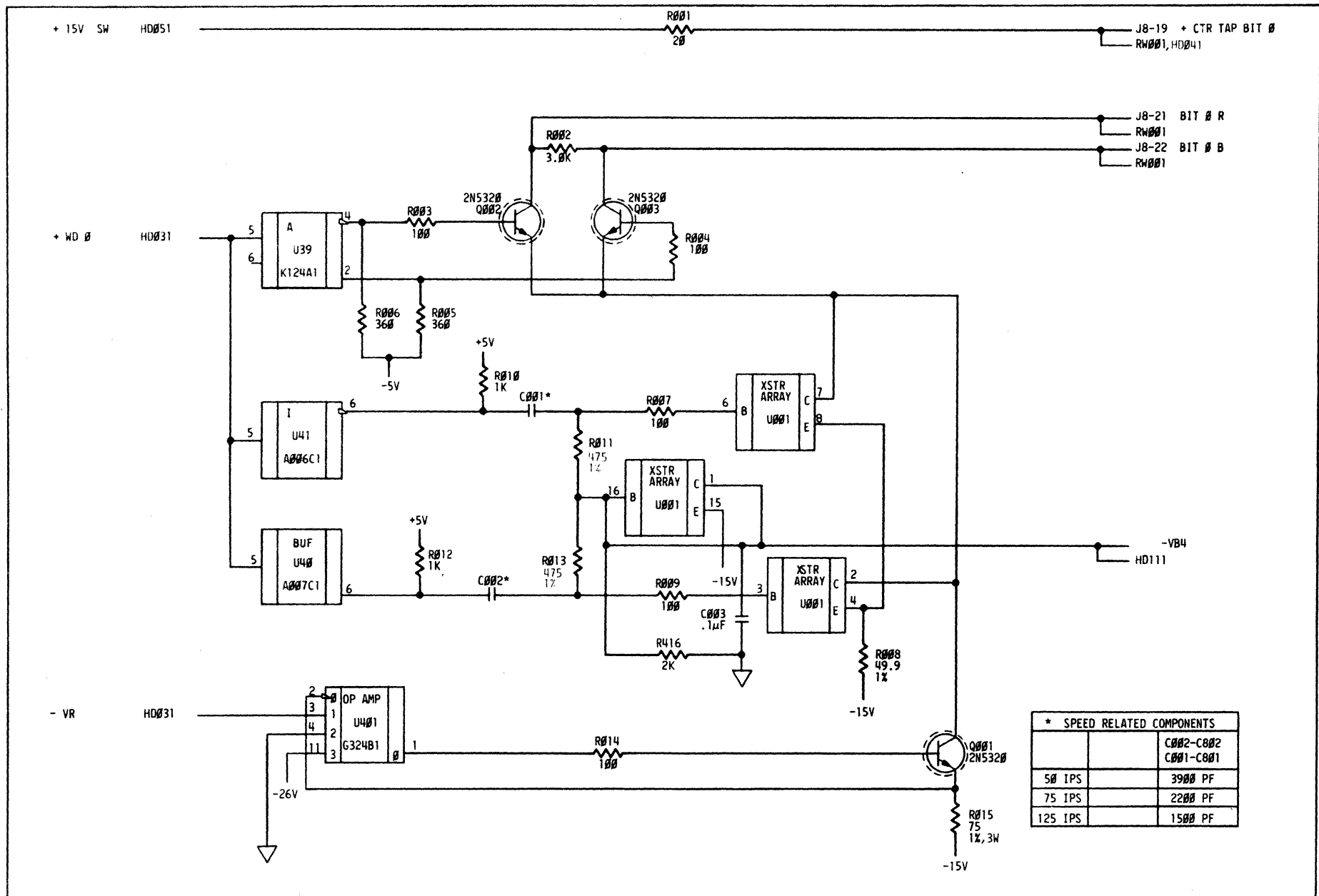
1. RESISTORS ARE 1/4W, 5% AND VALUES ARE IN OHMS.
2. ALL CAPACITORS ARE IN MICROFARADS.

*D17 IS TIED TO D12 ON THE MOTHERBOARD.

LWR BUS DRIVERS			
PRES. E.C. 54966	MACH. 1950	CD. LOC. J2	CD. #N.
PREV. E.C. 44767	VERS. 08L. ROT.	GATE A2	CD. TYPE HD
DATE 12-30-83		FRAME	PG. PN. 4823013-02

HD061

HD061



* SPEED RELATED COMPONENTS	
	C002-C002
	C001-C001
50 IPS	3900 PF
75 IPS	2200 PF
125 IPS	1500 PF

NOTES: UNLESS OTHERWISE SPECIFIED

1. RESISTORS ARE 1/4W, 5% AND VALUES ARE IN OHMS.
2. ALL CAPACITORS ARE IN MICROFARADS.

WRITE DRIVER TRACK 0

PREV. E.C. 44767
 PREV. E.C. NONE
 DATE 7-7-82

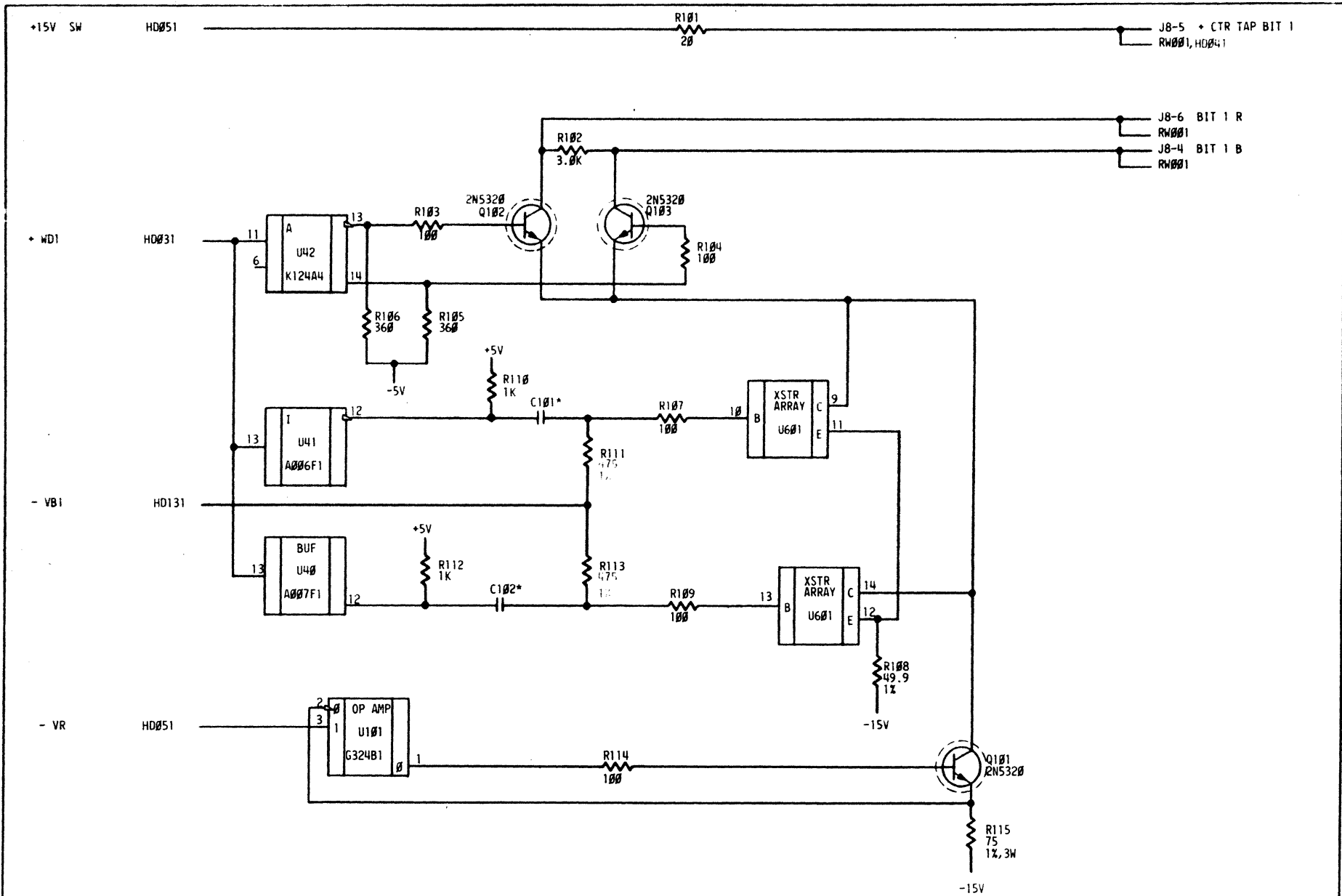
MACH. 1950
 VERS.
 GBL. ROT.

CD. LOC. J2
 GATE X2
 FRAME

CD. P.N.
 CD. TYPE HD
 PG. P.N. 4023014 01

HD
0
7
1

HD
0
7
1



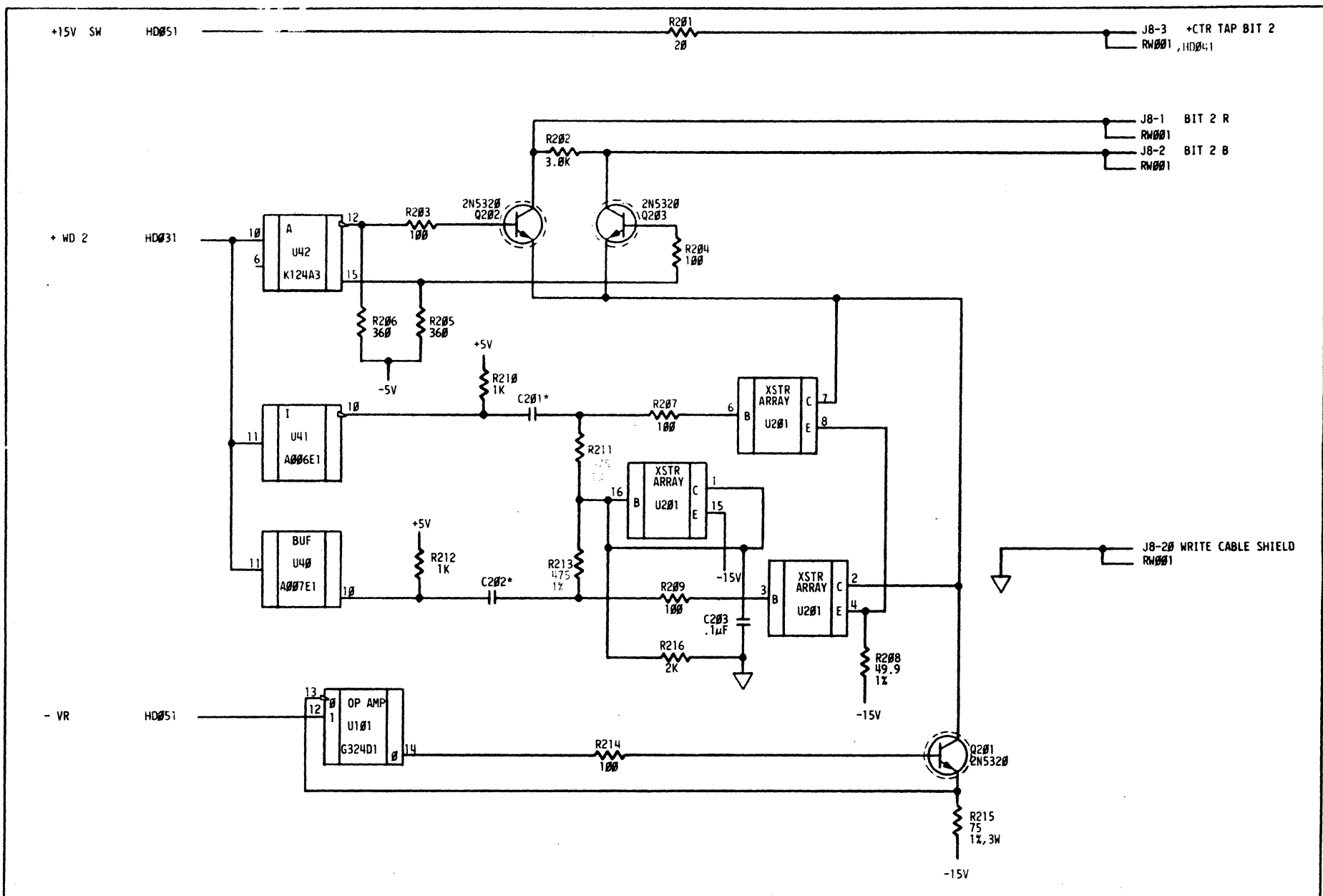
HD 08 1

* SEE TABLE ON HD071

NOTES: UNLESS OTHERWISE SPECIFIED
 1. RESISTORS ARE 1/4W, 5% AND VALUES ARE IN OHMS.
 2. ALL CAPACITORS ARE IN MICROFARADS.

WRITE DRIVER TRACK 1		CD. LOC. J2	CD. P.N. HD
PRES. E.C. 44767	MACH. VERS. 1950	GATE FRAME A2	CD. TYPE
PREV. E.C. NONE	GBL. ROT.		PG. P.N. HD03015-01
DATE 7-7-82			

HD 08 1



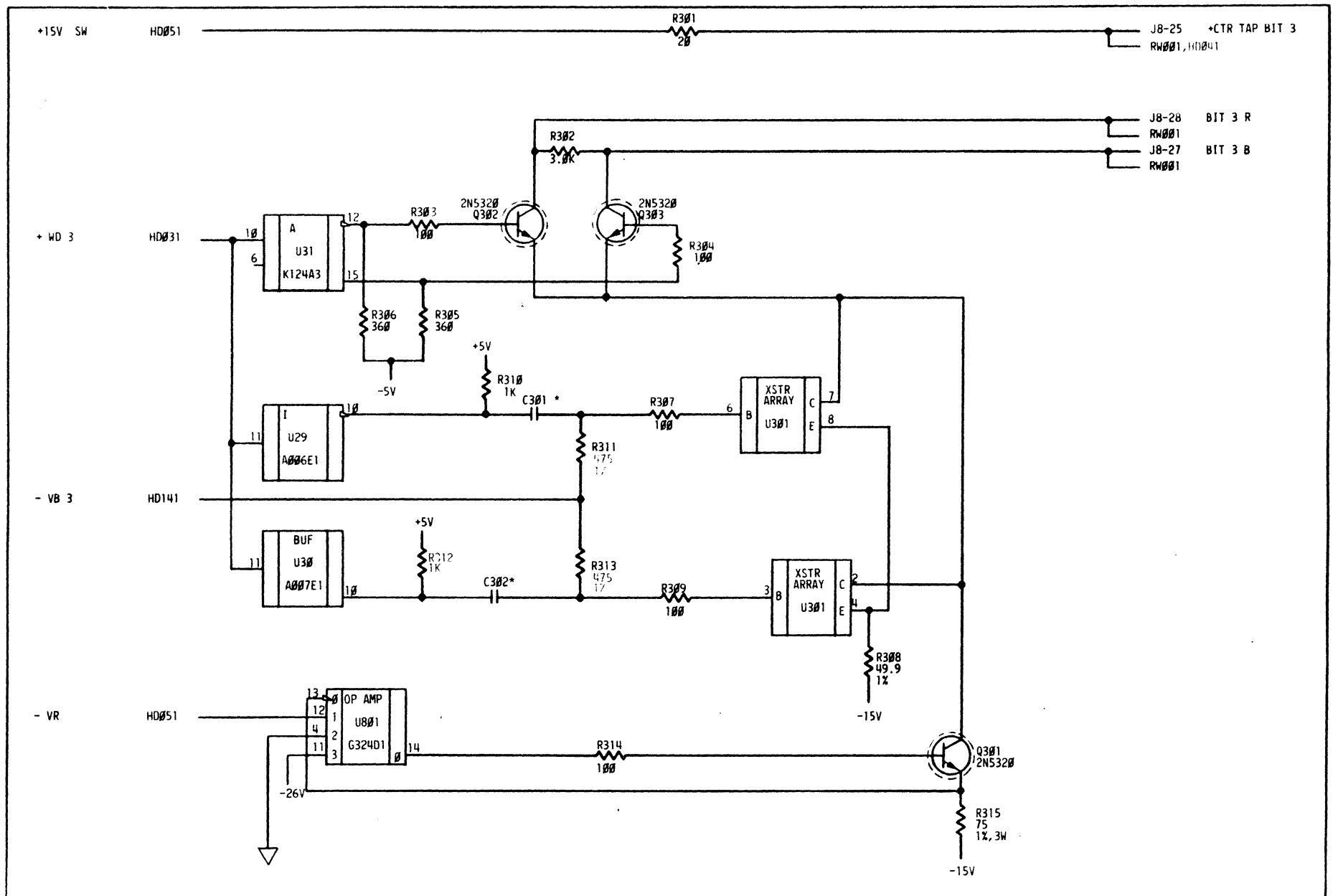
* SEE TABLE ON HD071 NOTES: UNLESS OTHERWISE SPECIFIED
 1. RESISTORS ARE 1/4W, 5% AND VALUES ARE IN OHMS.
 2. ALL CAPACITORS ARE IN MICROFARADS.

WRITE DRIVER TRACK 2

PRE. E.C. DATE	44767 NONE 7-7-82	MACH. VERS. OBL. ROT.	1950	CD. LOC. GATE FRAME	J2 A2	CD. PN. CD. TYPE PG. PN.	HD 4023016-01
-------------------	-------------------------	--------------------------	------	---------------------------	----------	--------------------------------	------------------

HD
051

HD
091



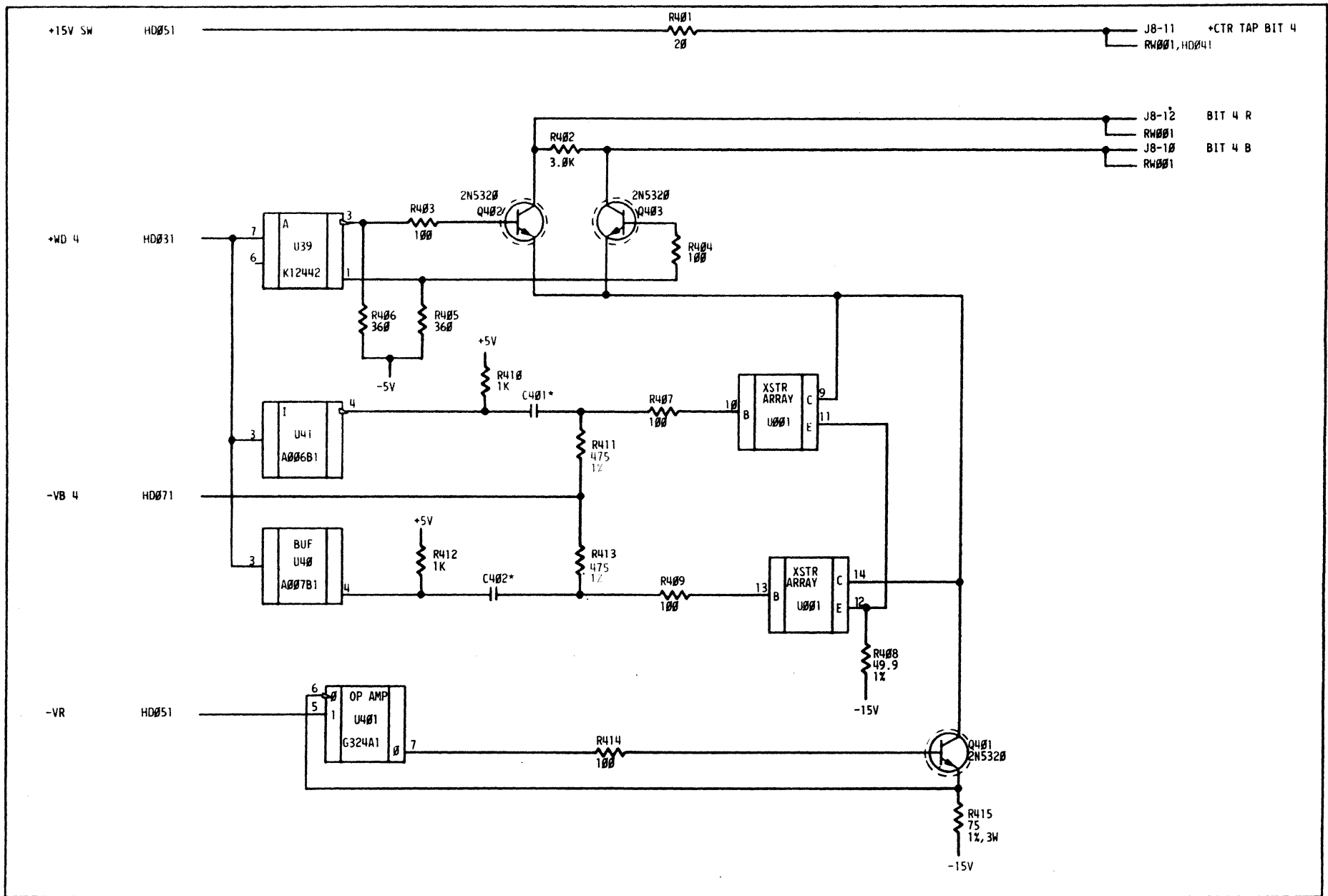
* SEE TABLE ON HD071

NOTES: UNLESS OTHERWISE SPECIFIED
 1. RESISTORS ARE 1/4W, 5% AND VALUES ARE IN OHMS.
 2. ALL CAPACITORS ARE IN MICROFARADS.

WRITE DRIVER TRACK 3			
PRES. E.C. PREV. E.C. DATE	44767 NONE 7-7-82	MACH. VERS. G.B.L. ROT.	1950
CD. LOC. GATE FRAME	J2 A2	CD. P.N. CD. TYPE PG. P.N.	HD 4023017-01

HD
1
0
1

HD
1
0
1



* SEE TABLE ON HD071

- NOTES: UNLESS OTHERWISE SPECIFIED
 1. RESISTORS ARE 1/4W, 5% AND VALUES ARE IN OHMS.
 2. ALL CAPACITORS ARE IN MICROFARADS.

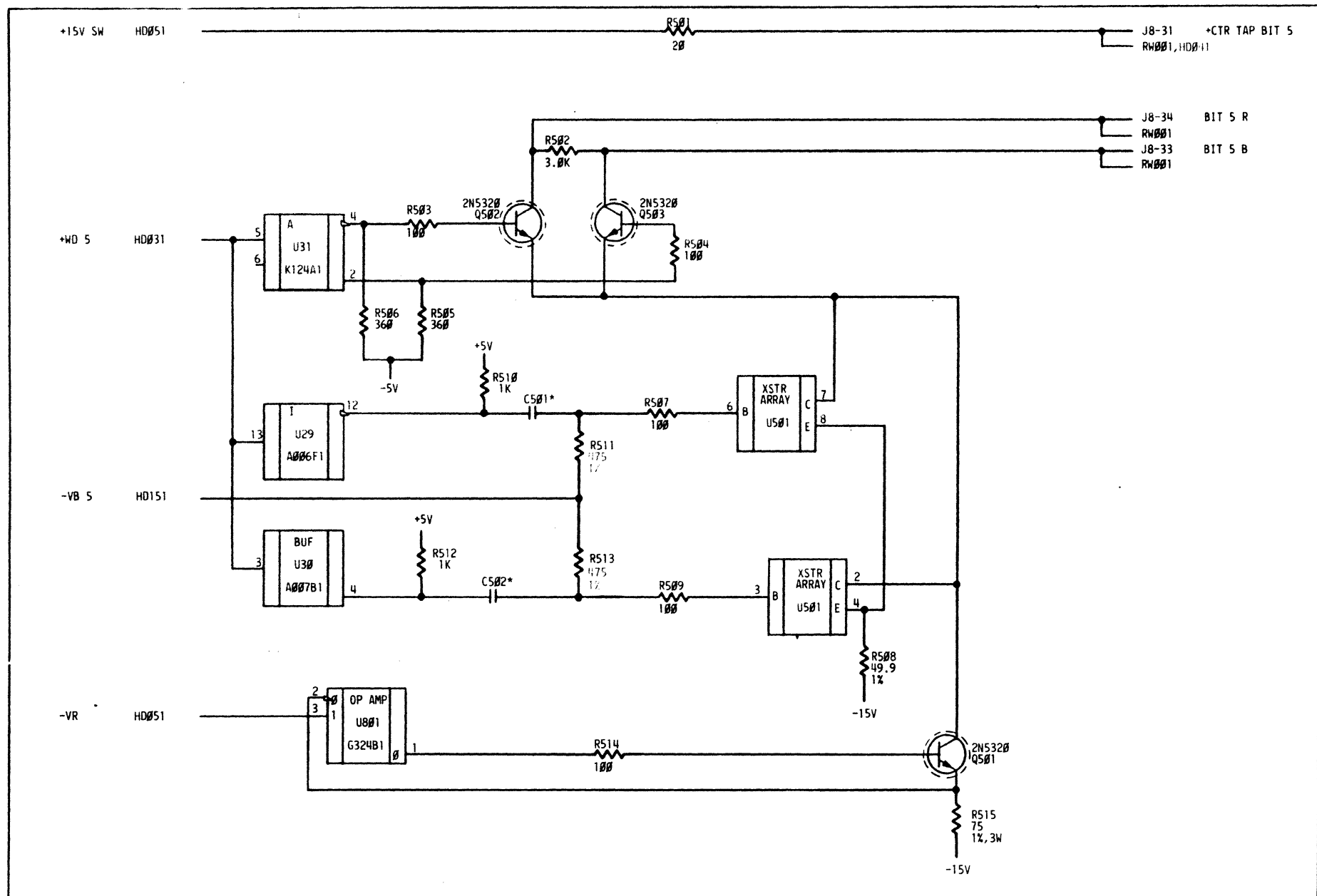
WRITE DRIVER TRACK 4

PRES. E.C. 44767
 PREV. E.C. NONE
 DATE 7-7-82

MACH. 1958
 VERS. NONE
 SBL. ROT.

CD. LOC. J2
 GATE A2
 FRAME

CD. RN. HD
 CD. TYPE PG. RN. 4023018-01



* SEE TABLE ON HD070

NOTES: UNLESS OTHERWISE SPECIFIED

1. RESISTORS ARE 1/4W, 5% AND VALUES ARE IN OHMS.
2. ALL CAPACITORS ARE IN MICROFARADS.

WRITE DRIVER TRACK 5

PRES. E.C. 44767
 PREV. E.C. NONE
 DATE 7-7-82

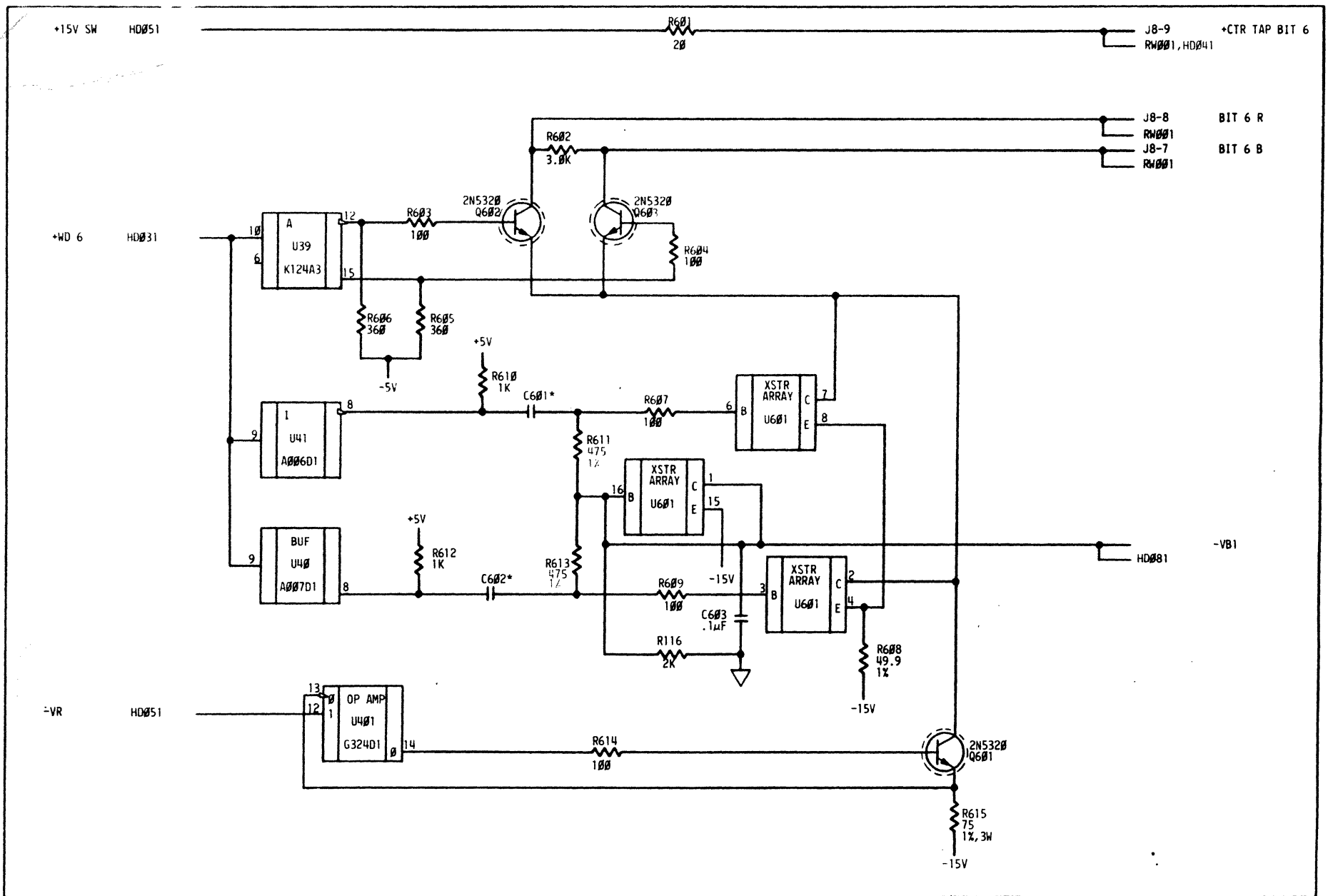
MACH. 1950
 VERS. 08L. ROT.

CD. LOC. J2
 GATE FRAME A2

CD. P.N. HD
 PG. P.N. 4023019-01

HD
1
2
1

HD
1
2
1



* SEE TABLE ON HD071

- NOTES: UNLESS OTHERWISE SPECIFIED
 1. RESISTORS ARE 1/4W, 5% AND VALUES ARE IN OHMS.
 2. ALL CAPACITORS ARE IN MICROFARADS.

WRITE DRIVER TRACK 6

DES. E.C. 44767
 PREV. E.C. NONE
 DATE 7-7-02

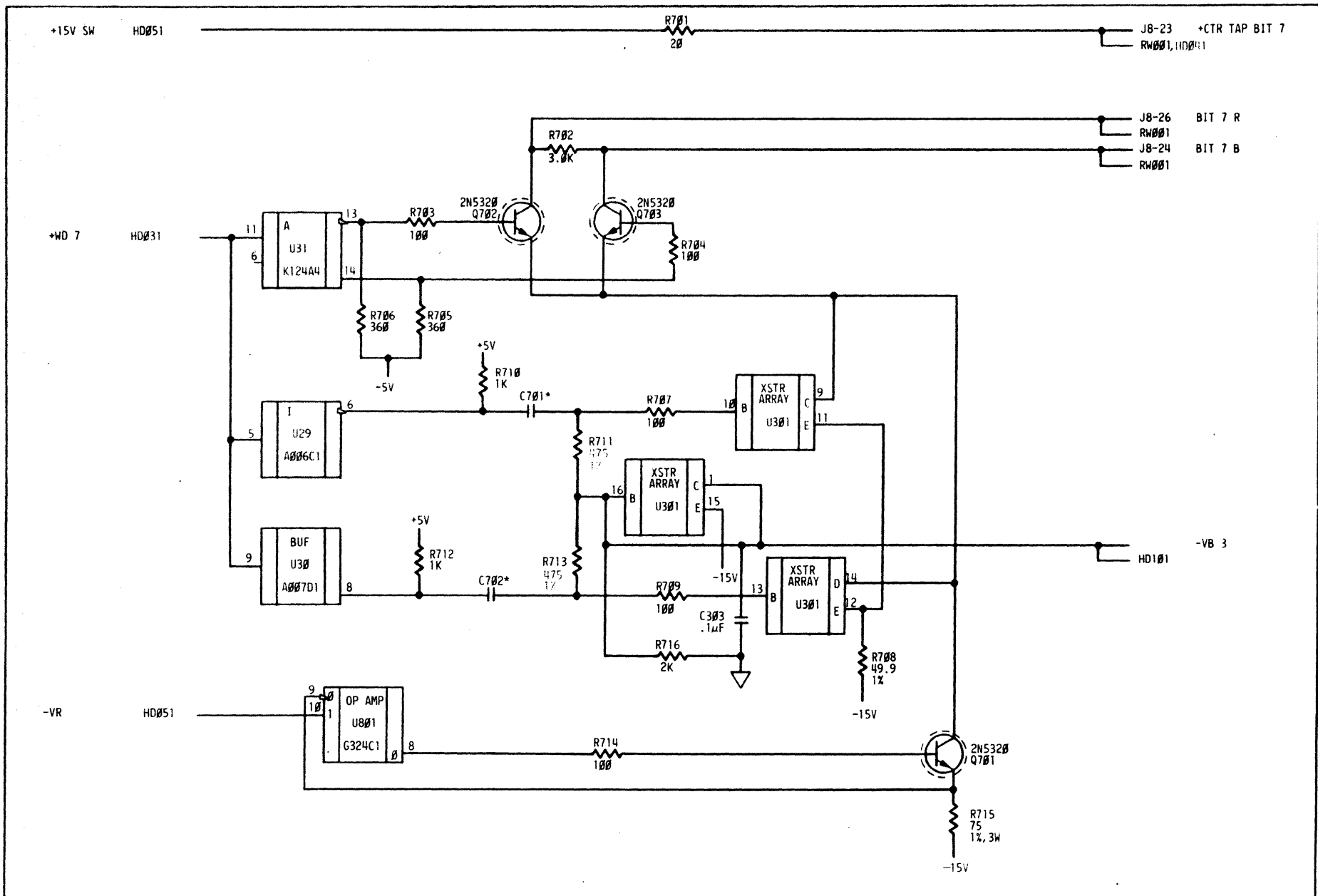
MACH. 1950
 VERS. GBL. ROT.

CD. LOC. J2
 GATE A2
 FRAME

CD. P.N.
 CD. TYPE HD
 P.G. P.N. 4023020-01

HD
1
3
1

HD
1
3
1



H
D
1
4
1

* SEE TABLE ON HD071

NOTES: UNLESS OTHERWISE SPECIFIED
 1. RESISTORS ARE 1/4W, 5% AND VALUES ARE IN OHMS.
 2. ALL CAPACITORS ARE IN MICROFARADS.

WRITE DRIVER TRACK 7

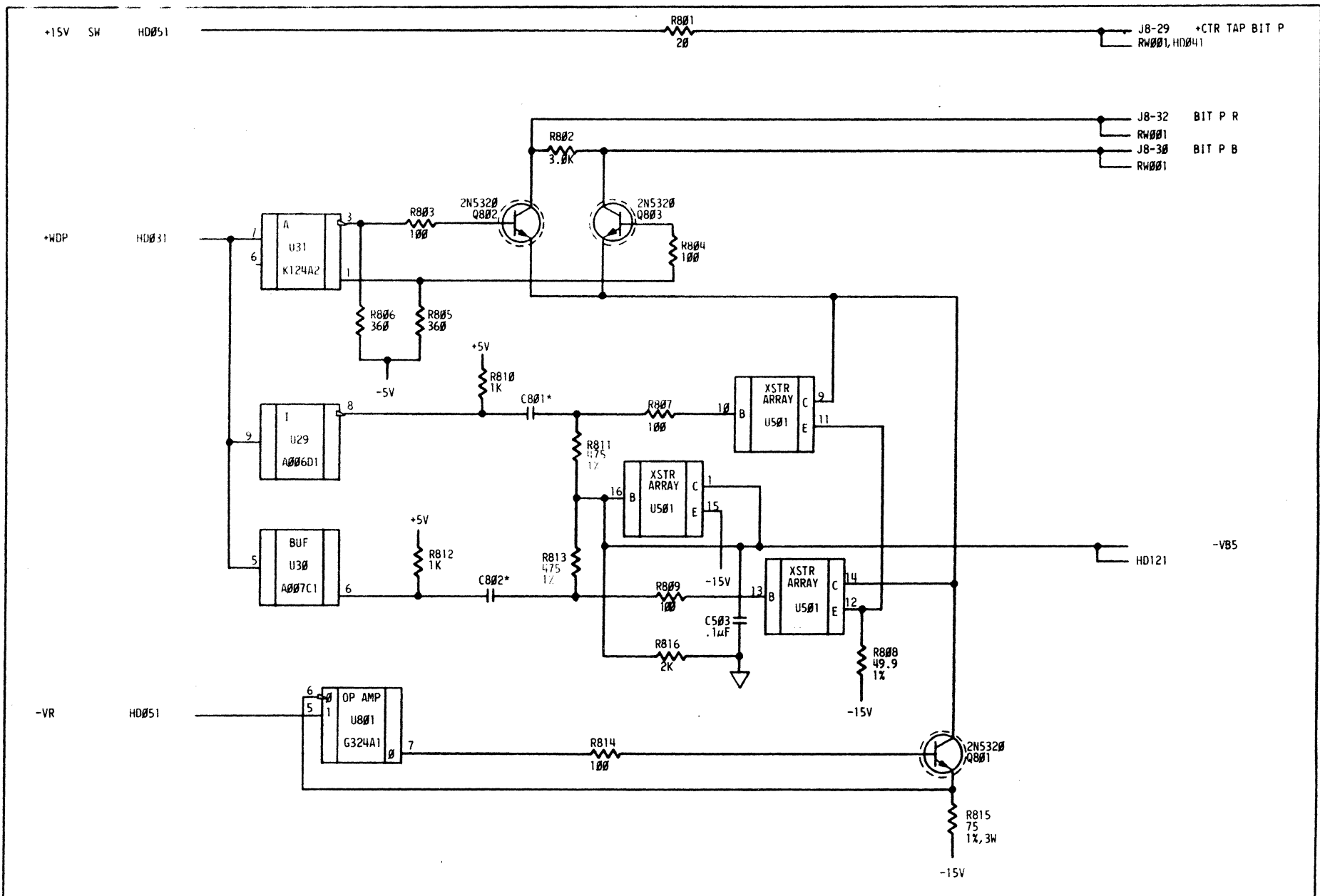
DES. E.C. 44767
 PREV. E.C. NONE
 DATE 7-7-82

MACH. 1950
 VERS. GBL. ROT.

CD. LOC. J2
 GATE FRAME A2

CD. P.N. HD
 CD. TYPE 4023021-01
 PG. PN. 4023021-01

H
D
1
4
1



* SEE TABLE ON HD071

NOTES: UNLESS OTHERWISE SPECIFIED
 1. RESISTORS ARE 1/4W, 5% AND VALUES ARE IN OHMS.
 2. ALL CAPACITORS ARE IN MICROFARADS.

WRITE DRIVER TRACK P

PREV. E.C. 44767
 NONE
 DATE 7-7-82

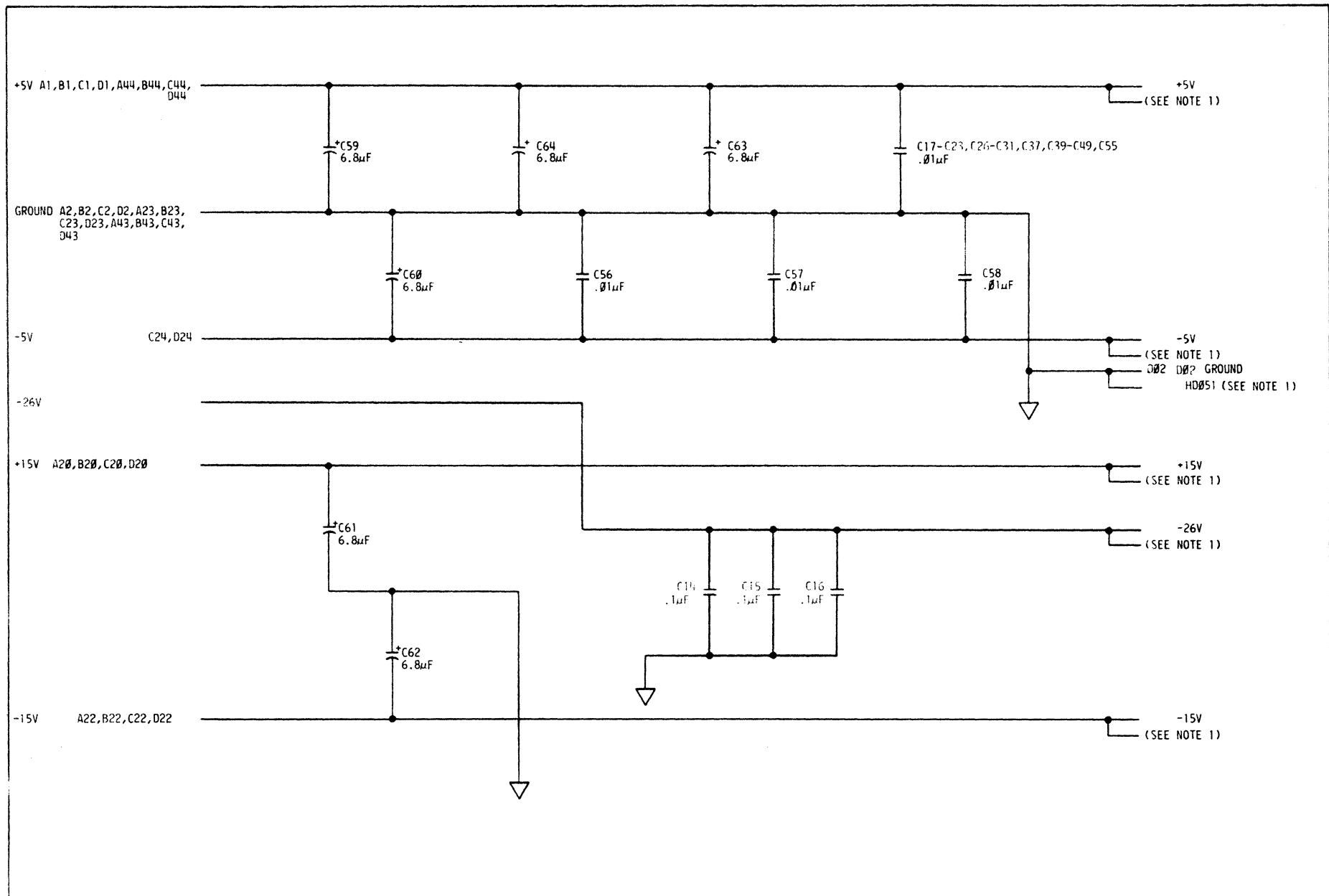
MACH. 1950
 VERS.
 GBL. ROT.

CD. LOC. J2
 GATE A2
 FRAME

CD. PN.
 CD. TYPE HD
 PG. PN. 4923020-01

H
 D
 1
 5
 1

H
 D
 1
 5
 1



NOTES: UNLESS OTHERWISE SPECIFIED

1. THESE LINES ARE CONNECTED TO INTERNAL POWER AND GROUND PLANES.

PREV. E.C.		MACH. VERS.		CD. LOC. GATE FRAME		CD. P.N. CD. TYPE HD PG. P.N.	
44767	NONE	1950		J2	A2	4023023-01	
DATE	7-7-82	GBL. ROT.					

ASSEMBLY PARTS LIST

DIV.	ASSEMBLY NUMBER	CD	REV.	DWG.	DESCRIPTION	MC	STATUS	STATUS DATE	FILE DATE					
0500	43500077	3	C	N	SYS LGC GP,JE,43116402,PC	N	REL	07-30-82	1950 07-26-82					
T FIND NO	LI	PART NUMBER	CD	M	QUANTITY	U/M	PART DESCRIPTION	MC	YLD	EC. NO IN	EC. NO OUT	S/N	WK IN	WK OUT
001	01	43514005	8		REF	PC	SYS LGC JE,AB001,PC	D						
002	01	43514003	3		REF	PC	SCHEMATIC,JE CARD	D		44598	44598		8145	8145
002	02	401640401	6		REF	PC	SYS LGC,JE001,PC	D		44598	44810		8145	8236
002	03	401640402	4		REF	PC	SYS LGC,JE001,PC	D		44810			8236	
500	01	43116402	9		REF	PC	CKT CD,JE PC ASSY	N						
0005 TOTAL LINES														

ASSEMBLY PARTS LIST

PRINT DATE	PAGE	E.C. NO.
10-20-82	1	110

DIV.	ASSEMBLY NUMBER	CD	REV.	DWG.	DESCRIPTION	MC	STATUS	STATUS DATE	FILE DATE					
0500	43500046	8	D	N	SYS LGC GP,JE,43116302,PC	N	REL	07-30-82	1950 07-26-82					
T FIND NO	LI	PART NUMBER	CD	M	QUANTITY	U/M	PART DESCRIPTION	MC	YLD	E.C. NO IN	E.C. NO. OUT	S/N	WK IN	WK OUT
001	01	43514002	5		REF	PC	SYS LGC JE,AB001,PC	D		44071			8004	
002	01	43514003	3		REF	PC	SCHEMATIC,JE CARD	D		44071	44598		8004	8144
002	02	401640301	8		REF	PC	SYS LGC,JE001,PC	D		44598	44795		8144	8231
002	03	401640302	6		REF	PC	SYS LGC,JE001,PC	D		44795	44810		8231	8236
002	04	401640303	4		REF	PC	SYS LGC,JE001,PC	D		44810			8236	
500	01	43116302	1		REF	PC	CKT CD,JE,PC ASSY	N		44071			8004	
0006 TOTAL LINES														

+ EOT BOT AN

JJ001

A01

BOT LED CAT
EOT BOT COL

JJ011

A02

JJ011

A06

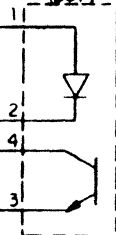
EOT LED CAT

JJ011

A03

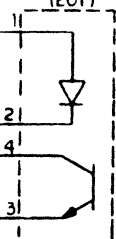
TIL 139

(BOT)



TIL 139

(EOT)



REFLECTIVE SURFACE



A05

JJ015, JJ011 EOT EM

A04

JJ011 BOT EM

NOTES: SUPPORTS JJI LOGICS

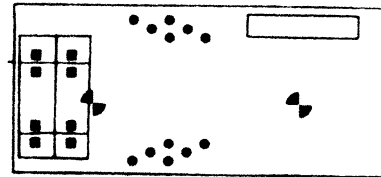
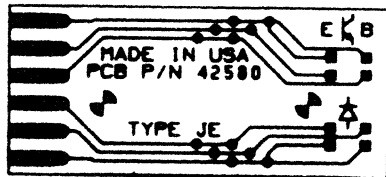
EOT/BOT, SCHEMATIC

PRES. E.C. 44810
PREV. E.C. 44795
DATE 8-4-82

MACH. 1950
VERS. 08L. ROT.

CD. LOC. CASTING
GATE FRONT
FRAME

CD. P.N. JE
CD. TYPE 4016403-03
PG. PN.



A
B
8
1

JE CARD, EOT/BOT TRANSDUCER

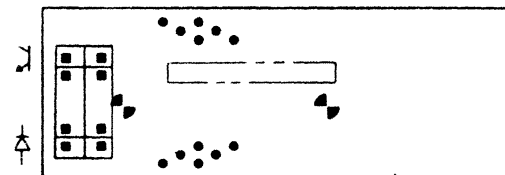
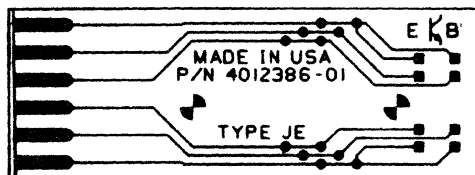
PREV. E.C. 44071
PREV. E.C.
DATE

MACH. 1950
VERB.
SBL. ROT.

CD. LOC.
GATE
FRAME

CD. P.N. 43116302-1
CD. TYPE JE
PG. P.N. 43514002-5

A
B
8
1



JE CARD, EOT/BOT TRANSDUCER				A B C D E
PRES. E.C.	44184	MACH. VERS.	1950	
PREV. E.C.	44071	CD. LOC. GATE FRAME		
DATE	10-29-80	CD. P.N.	43116402-9	
		CD. TYPE	JE	
		PG. P.N.	43514005-8	

EOT BOT AN

BCT LED CAT
EOT BOT COL

EOT LED CAT

11061

JJ011

JJ061

JJ011

A01

A02

A06

A03

TIL 139
(BOT)

TIL 139
(EOT)

REFLECTIVE SURFACE

A05

JJ011

EOT EM

A04

JJ011

BOT EM

NOTES: SUPPORTS USE INT. LOGICS

EOT/BOT, SCHEMATIC

PREV. E.C. 44810
PREV. E.C. 44795
DATE 8-4-82

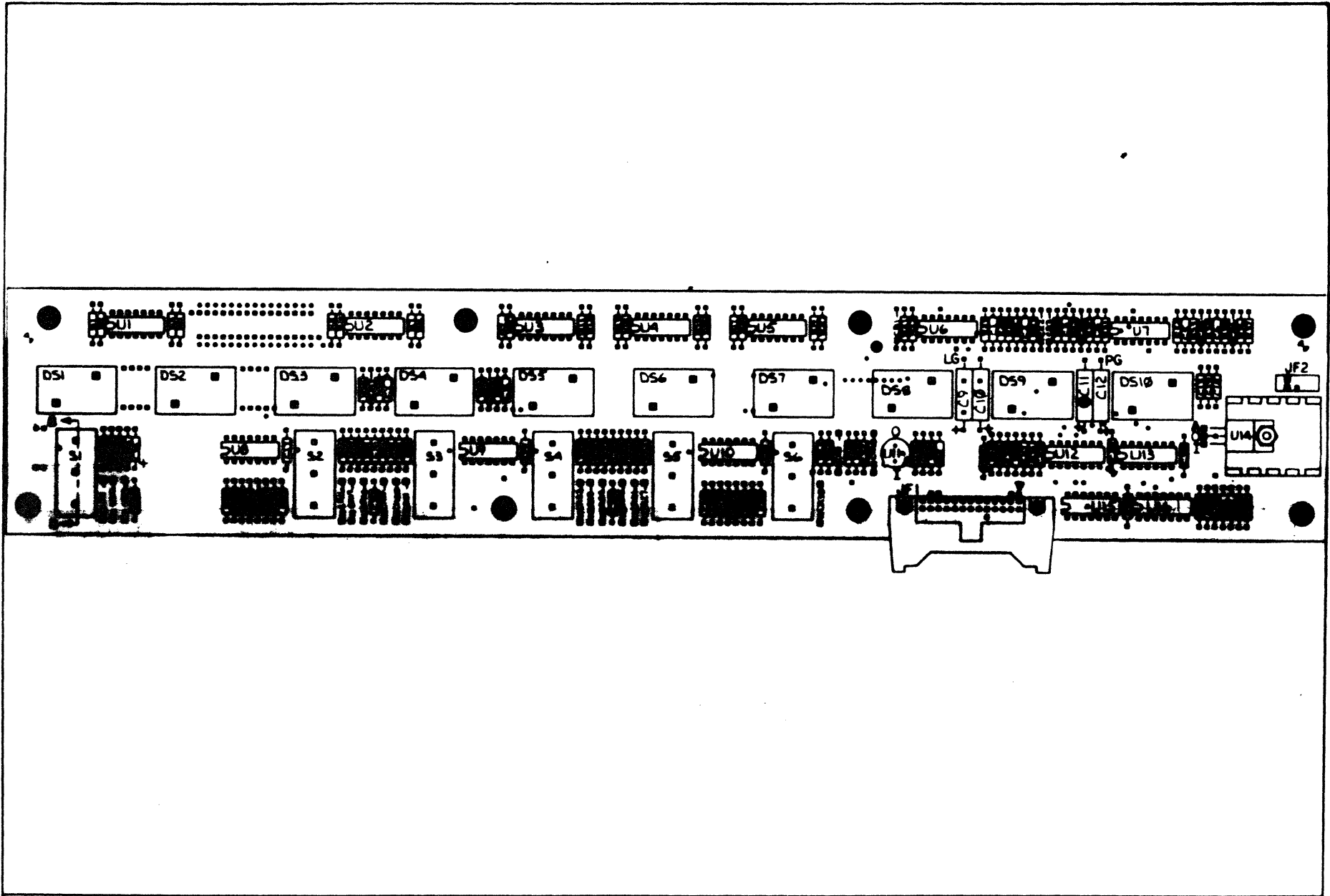
MACH. 1950
VERS.
GBL. ROT.

CD. LOC. CASTING
GATE FRONT
FRAME

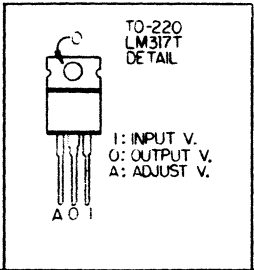
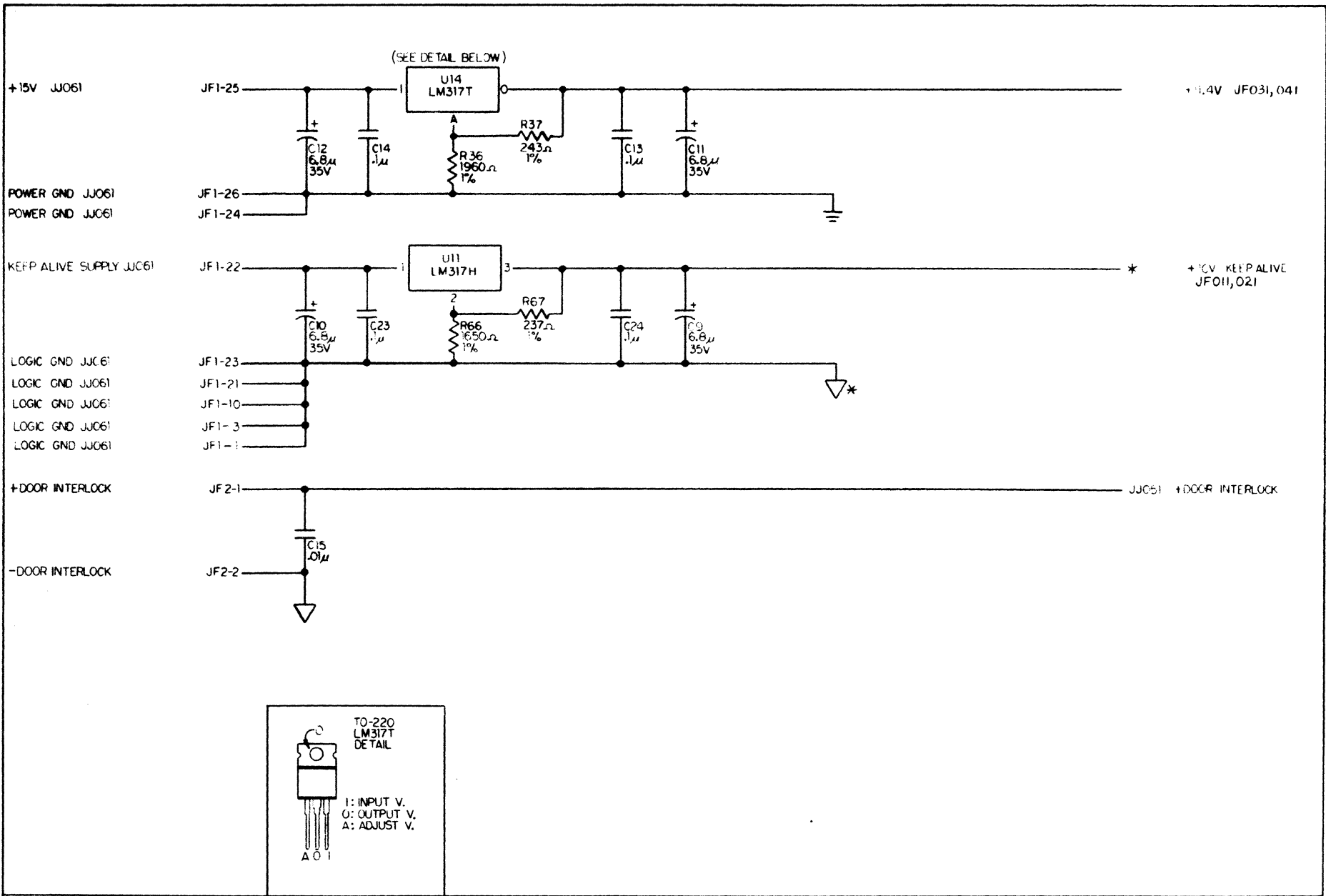
CD. P.N. JE
CD. TYPE
PG. P.N. 4016404-02

ASSEMBLY PARTS LIST

DIV	ASSEMBLY NUMBER	CD	REV.	DWG.	DESCRIPTION	MC	STATUS	STATUS DATE	FILE DATE					
0500	4350049	2	B	N	SYS LGC GP JF 43113303 PC FUD	N	SPR	05-27-80	1980					
T FIND NO	LI	PART NUMBER	CD	M	QUANTITY	U/M	PART DESCRIPTION	MC	YLD	E.C. NO. IN	E.C. NO. OUT	S/N	WK IN	WK OUT
001	01	43513012	5		REF	PC	SYS.LGC,JF,AB001,PC	D		44066			8004	
002	01	43513013	3		REF	PC	SYS.LGC,JF001,PC	D		44066			8004	
003	01	43513014	1		REF	PC	SYS.LGC,JF011,PC	D		44066			8004	
004	01	43513015	8		REF	PC	SYS.LGC,JF021,PC	D		44066			8004	
005	01	43513016	6		REF	PC	SYS.LGC,JF031,PC	D		44066			8004	
006	01	43513017	4		REF	PC	SYS.LGC,JF041,PC	D		44066			8004	
900	01	43113303	2		REF	PC	CKT CD JF PC ASSY,FUD	S		44066			8004	
0007 TOTAL LINES														



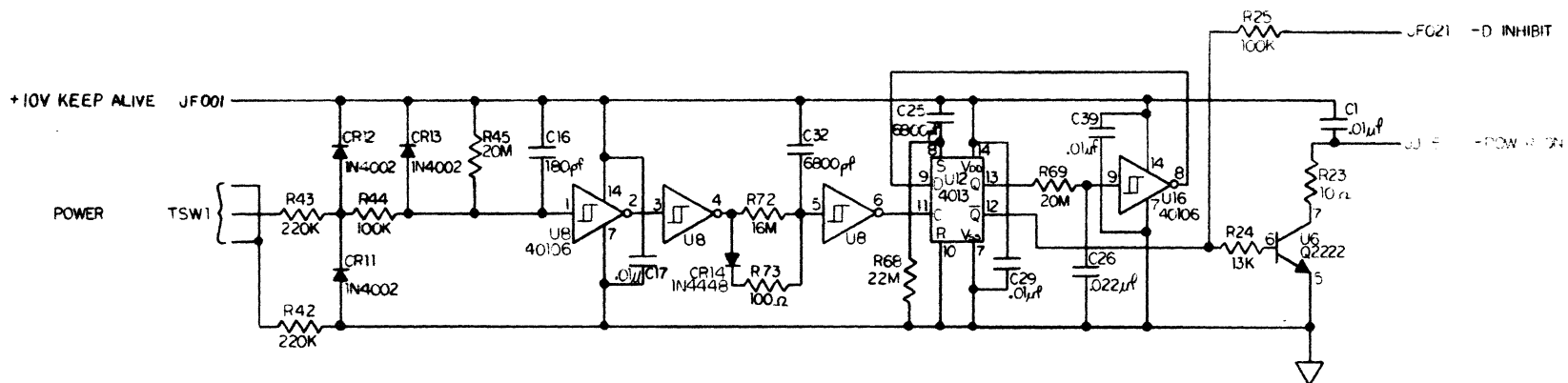
A B C D	■ JF CARD, OP PANEL				A B C D
	PREV. E.C. 44066	MACH. 1950	CD. LOC.	CD. RN. 43113303-2	
	DATE 1-30-80	VER. OBL. ROT.	BATE FRAME	CD. TYPE JF PG. RN. 43113012-5	



*NOTE:
 +10V KEEP ALIVE ON PLANE LAYER 3
 LOGIC GROUND ON PLANE LAYER 2

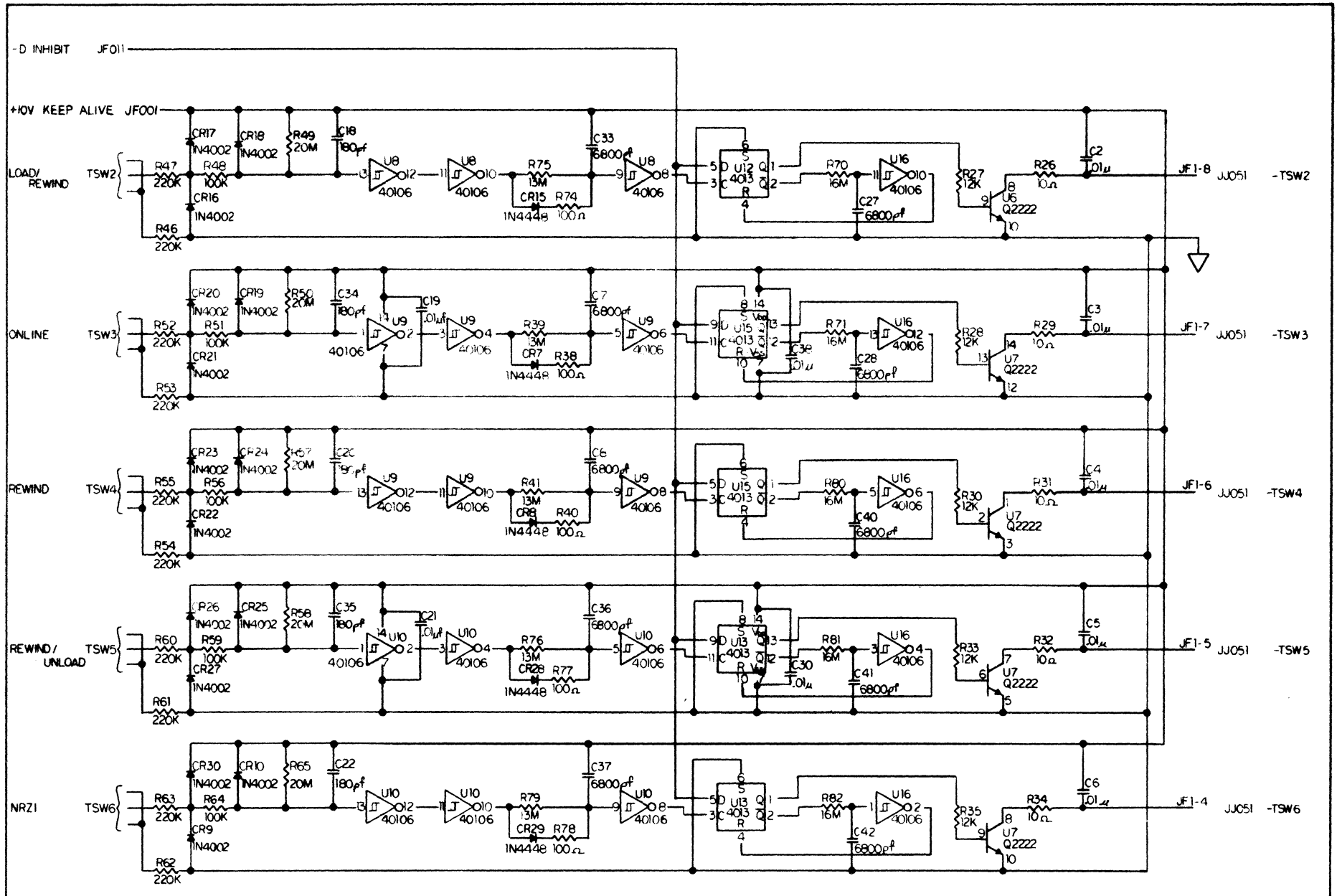
POWER & GROUND

PRES. E.C. 44066 PREV. E.C. DATE 1-30-80	MACH. VERS. GBL. ROT.	1950 CD. LOC. GATE FRAME	CD. P.N. CD. TYPE PG. P.N. 43513013-3	JF 100 IN
--	-----------------------	-----------------------------	---------------------------------------	--------------



POWER SWITCH

PRES. E.C. PREV. E.C. DATE	44066 1-30-80	MACH. VERS. GBL. ROT.	1950	CD. LOC. GATE FRAME	CD. P.N. CD. TYPE PG. PN.	JF 43513014-1	JF001
----------------------------------	------------------	-----------------------------	------	---------------------------	---------------------------------	------------------	-------

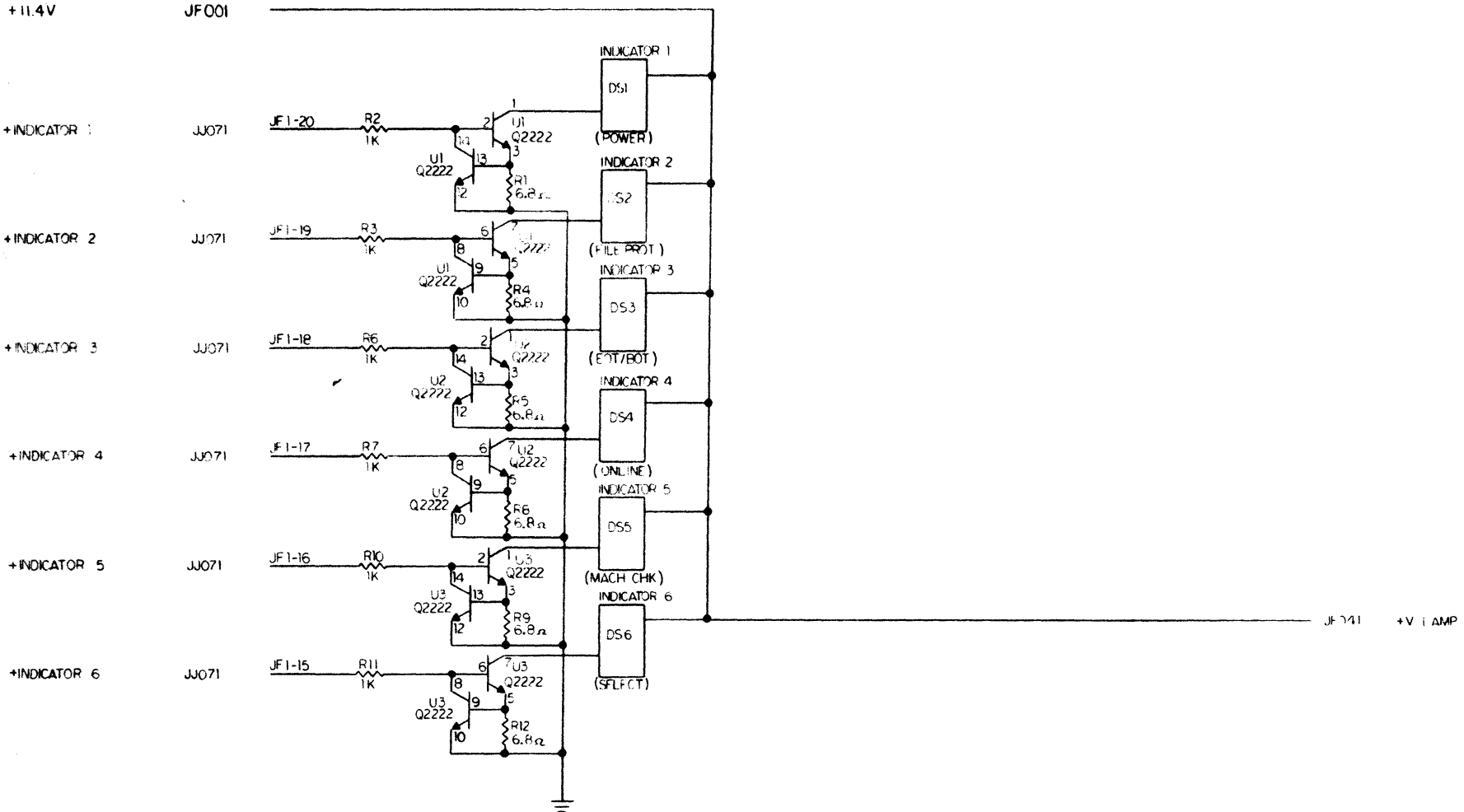


OP PANEL SWITCHES

PREV. E.C. DATE	44066 1-30-80	MACH. VERS. GBL. ROT.	1950	CD. LOC. GATE FRAME	CD. P.N. CD. TYPE PG. PN.	JF 43513015-8
-----------------	------------------	-----------------------	------	---------------------	---------------------------	---------------

NOTICE

NOTICE



1. INDICATORS ARE P/N 43430197-4 INDICATOR BLOCK AND 2 P/N 43430196-6 INDICATOR CONTACTS WITH 2 P/N 10079016-1 LAMPS INSTALLED.

INDICATORS 1-6

PRES. E.C. 44066
 PREV. E.C.
 DATE 1-30-80

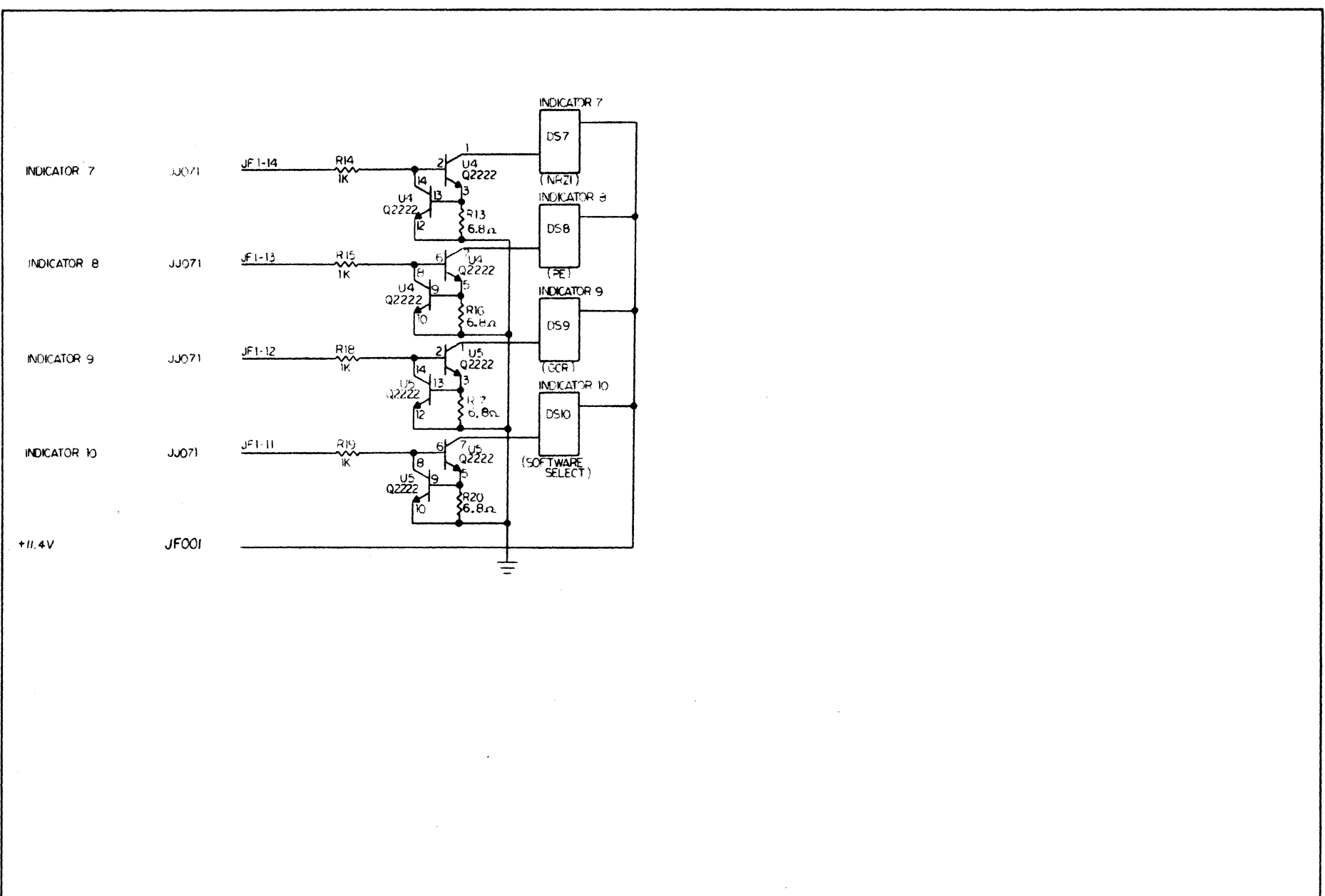
MACH. VERS.
 GBL. ROT.

1950
 CD. LOC.
 GATE
 FRAME

CD. P.N.
 CD. TYPE
 PG. P.N.

13512016-6

10079016-1



JF041	1. SEE NOTE 1, PG JF031		INDICATORS 7-10		JF041
	PREV. E.C. 44066	MACH. 1950	CD. LOC. GATE FRAME	CD. P.N. 43513017-4	
	DATE 1-30-80	MACH. VRS. GBL. ROT.		PG. P.N. JF	



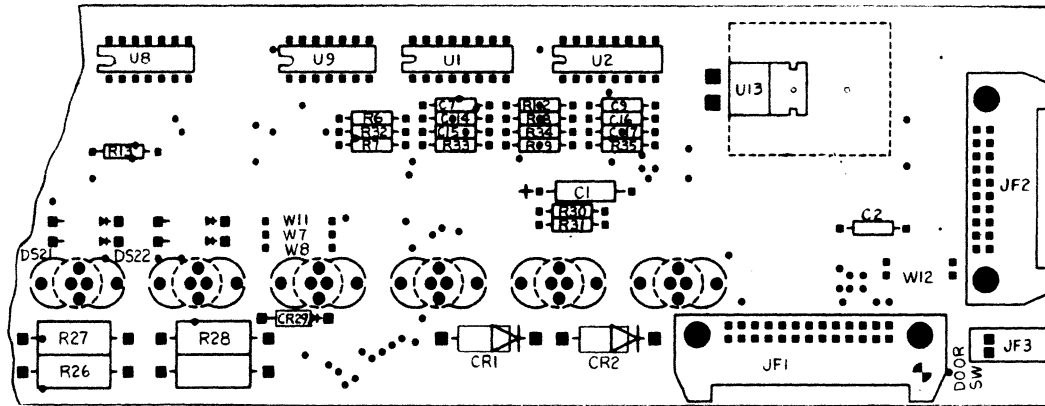
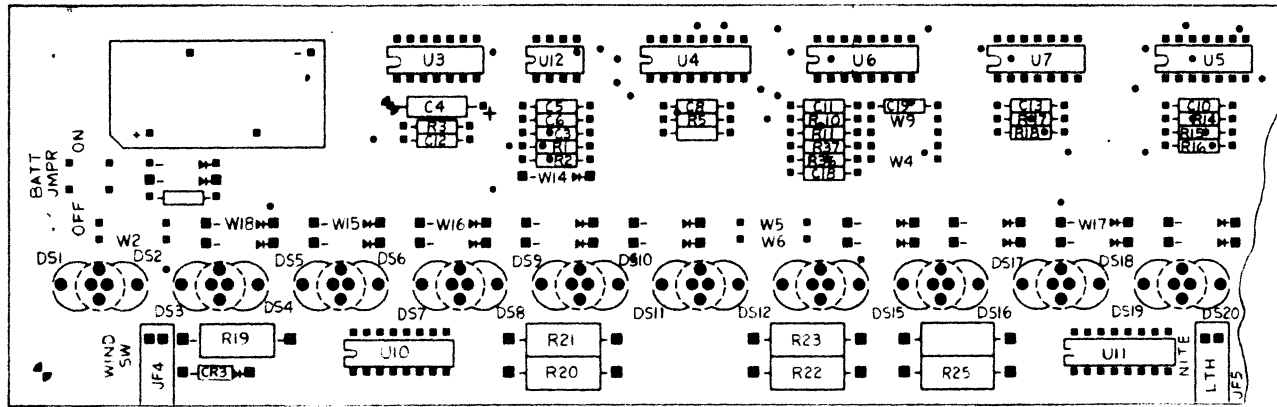
TECHNOLOGY CORP.

ASSEMBLY PARTS LIST

BOULEVARD

PRINT DATE	PAGE	E.C. NO.
10-20-87	1	7010

DIV	ASSEMBLY NUMBER	CD	REV.	DWG.	DESCRIPTION	MC	STATUS	STATUS DATE	FILE DATE						
0500	401256001	9	C	N	SYS LGC GP, JF401224201, PC	N	REL	07-30-82	1950	07-26-82					
T	FIND NO	LI	PART NUMBER	CD	M	QUANTITY	U/M	PART DESCRIPTION	MC	YLD	E.C. NO IN	E.C. NO OUT	S.N	WK IN	WK OUT
	001	01	401256101	7		REF		PC SYS LGC JF AB 001, PC	D						
	002	01	401256201	5		REF		PC SYS LGC JF 001, PC	D			44781			8231
	002	02	402335801	5		REF		PC SYS LGC, JF001, PC	D		44781			8231	
	003	01	401256301	3		REF		PC SYS LGC JF011, PC	D			44781			8231
	003	02	402335901	3		REF		PC SYS LGC, JF011, PC	D		44781	44810		8231	8236
	003	03	402335902	1		REF		PC SYS LGC, JF011, PC	D		44810			8236	
	004	01	401256401	1		REF		PC SYS LGC JF 021, PC	D			44781			8231
	004	02	402336001	1		REF		PC SYS LGC, JF021, PC	D		44781			8231	
	005	01	401256501	8		REF		PC SYS LGC JF031, PC	D			44781			8231
	005	02	402336101	9		REF		PC SYS LGC, JF031, PC	D		44781			8231	
	006	01	401256601	6		REF		PC SYS LGC JF041 PC	D			44781			8231
	006	02	402336201	7		REF		PC SYS LGC, JF041, PC	D		44781			8231	
	007	01	401256701	4		REF		PC SYS LGC JF051 PC	D			44781			8231
	007	02	402336301	5		REF		PC SYS LGC, JF051, PC	D		44781			8231	
	500	01	401224201	4		REF		PC CKT CD, JF, PC ASSY, STD	S						
								0015 TOTAL LINES							



A
0000
1

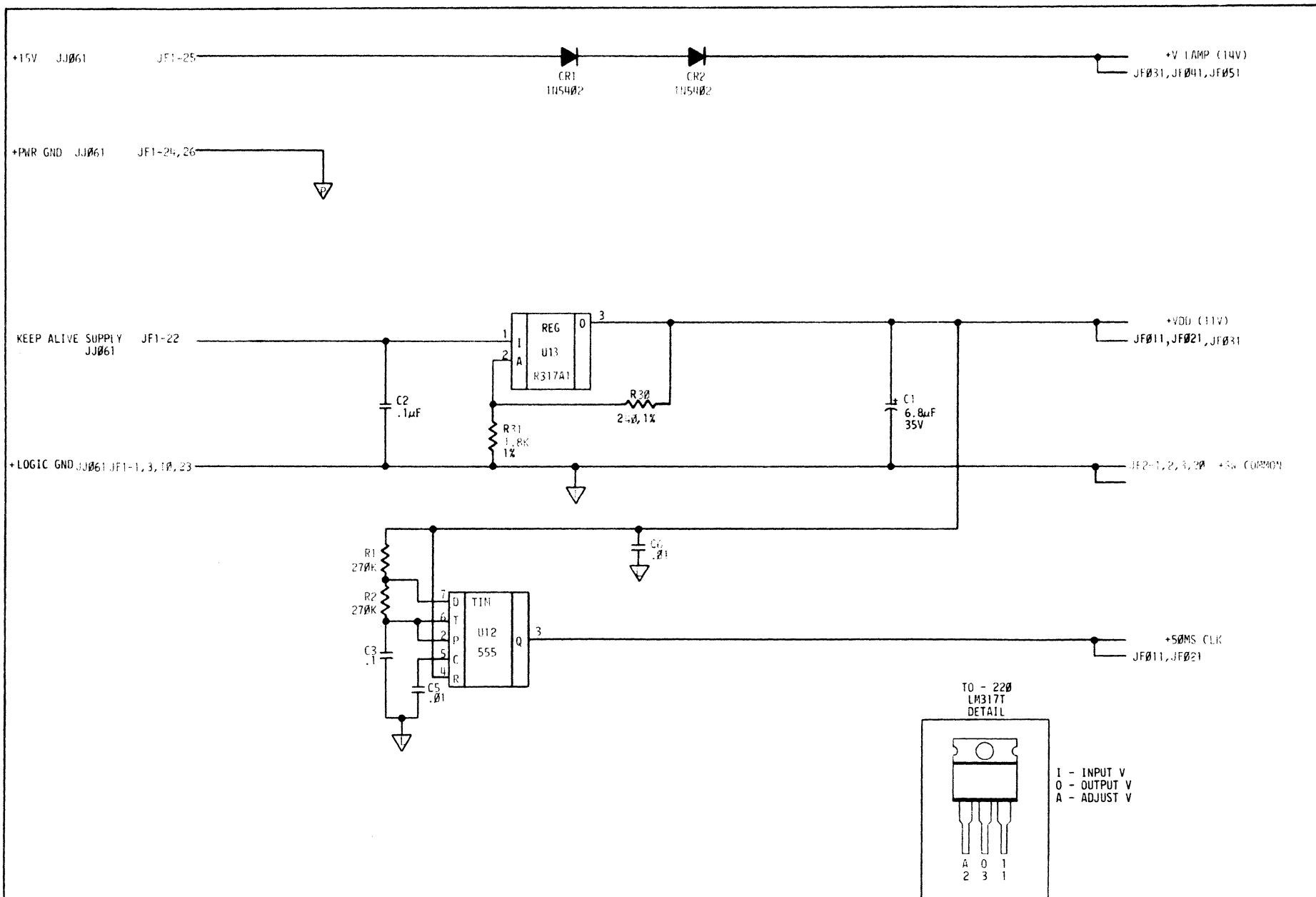
PRE. E.C. 44098
 PREV. E.C.
 DATE 4-25-80

MACH. 1950
 VERS.
 GBL. ROT.

CD. LOC.
 GATE
 FRAME

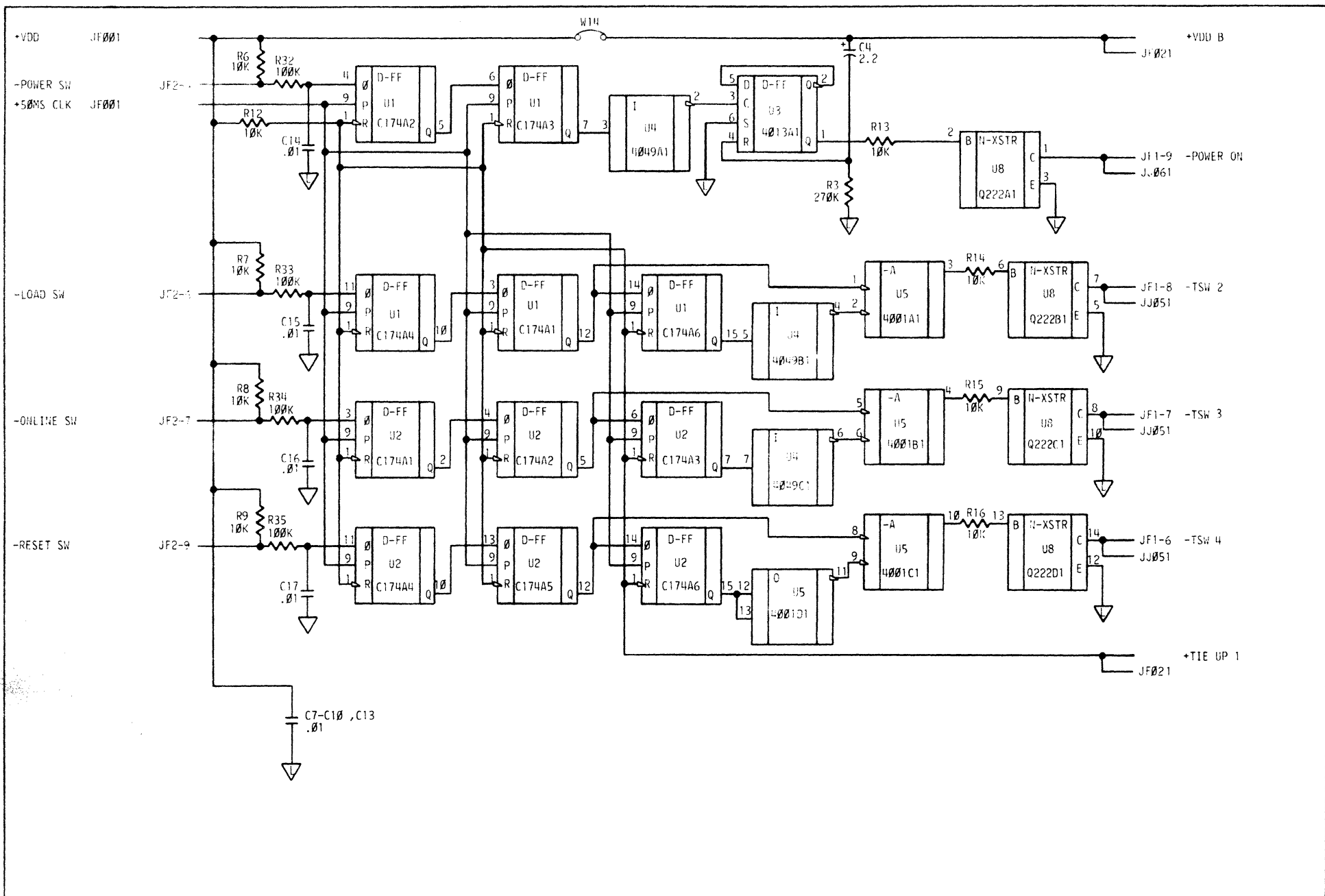
CD. P.N. 401224201-4
 CD. TYPE JF
 PG. P.N. 4012561-01

A
B
C
O
I



NOTES: UNLESS OTHERWISE SPECIFIED
 1. RESISTORS ARE 1/4W, 5% AND VALUES ARE IN OHMS.
 2. ALL CAPACITORS ARE IN MICROFARADS.

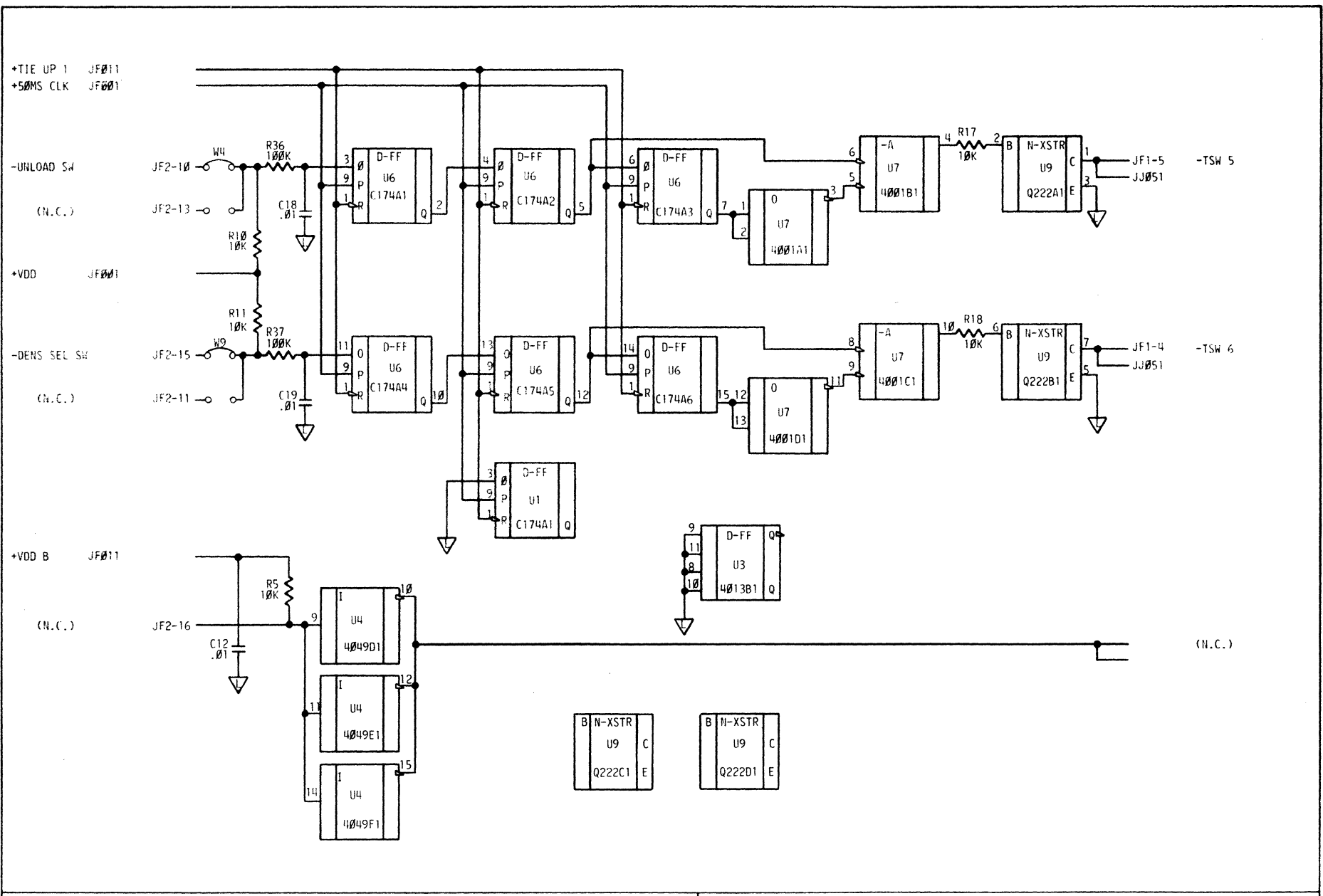
POWER, GROUND & CLDG:		1950		CD. LOC. GATE FRAME		CD. P.N. JF CD. TYPE PG. P.N. 4023358-01		J F 0 1
PRES. E.C.	44781	MACH. VERS.						
PREV. E.C.	NONE	GBL. ROT.						
DATE	7-7-82							



NOTES: UNLESS OTHERWISE SPECIFIED

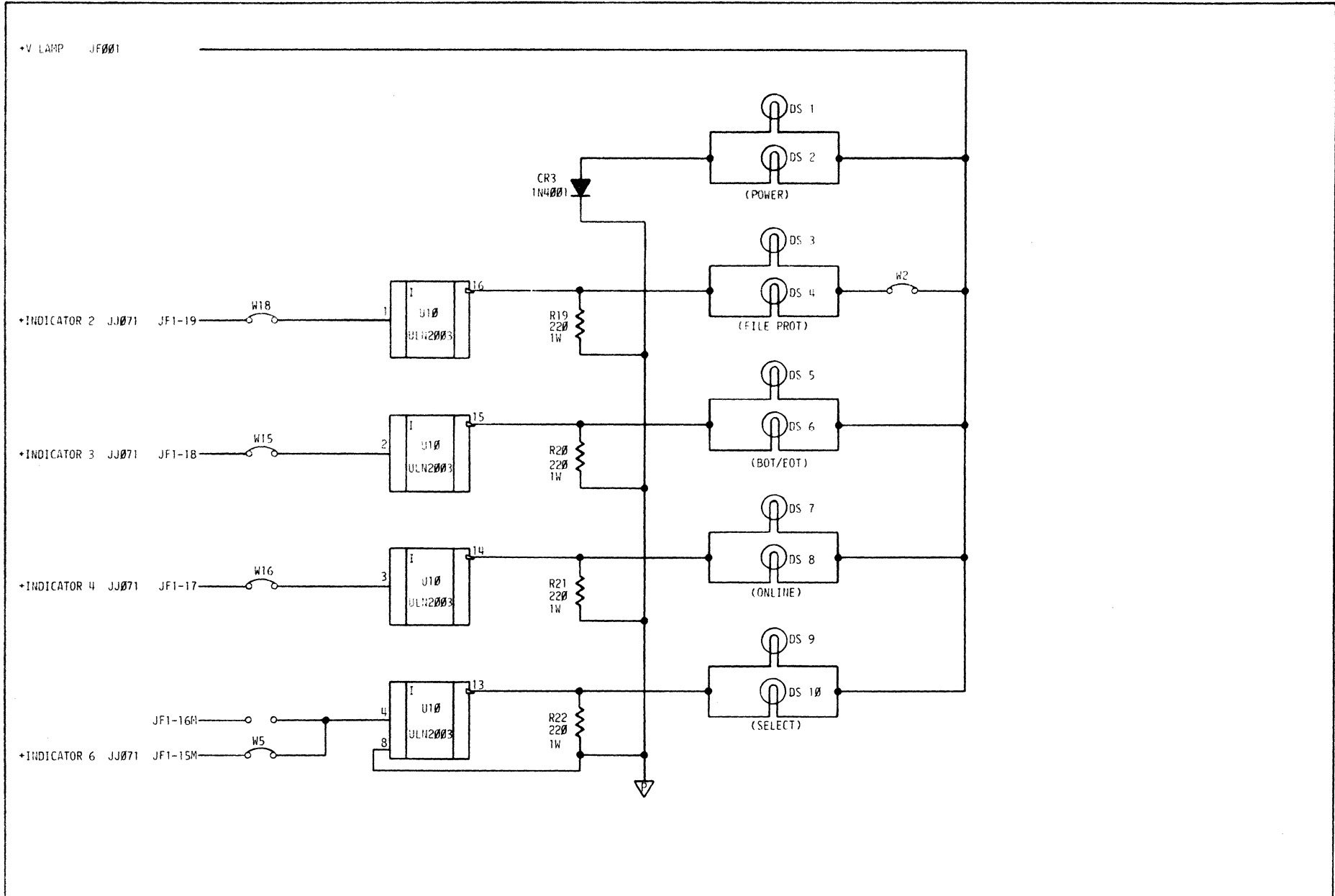
1. RESISTORS ARE 1/4W, 5% AND VALUES ARE IN OHMS.
2. ALL CAPACITORS ARE IN MICROFARADS.

PRES. E.C. 44810		MACH. 1950		CD. LOC. GATE FRAME		CD. P.N. JF	
PREV. E.C. 44795		GBL. ROT.				PG. PN. 4023359-02	
DATE 8-4-82						JF 011	



NOTES: UNLESS OTHERWISE SPECIFIED.
 1. RESISTORS ARE 1/4W, 5% AND VALUES ARE IN OHMS.
 2. ALL CAPACITORS ARE IN MICROFARADS.

CONTACT CONDITIONING 2				J F 0 2
PRES. E. C. PREV. E. C. DATE	44781 NONE 7-7-82	MACH. 1950 VERS. GBL. ROT.	CD. LOC. GATE FRAME	
		CD. P.N. CD. TYPE PG. PN.	JF JF 4023360-01	



NOTES: UNLESS OTHERWISE SPECIFIED

- RESISTORS ARE 1/4W, 5% AND VALUES ARE IN OHMS.
- INDICATORS DS1 THRU DS22 ARE TYPE 73, 14V, 80MA, INSTALLED IN SOCKET, STC PART NUMBER 10079018-7.



INDICATORS 1-5

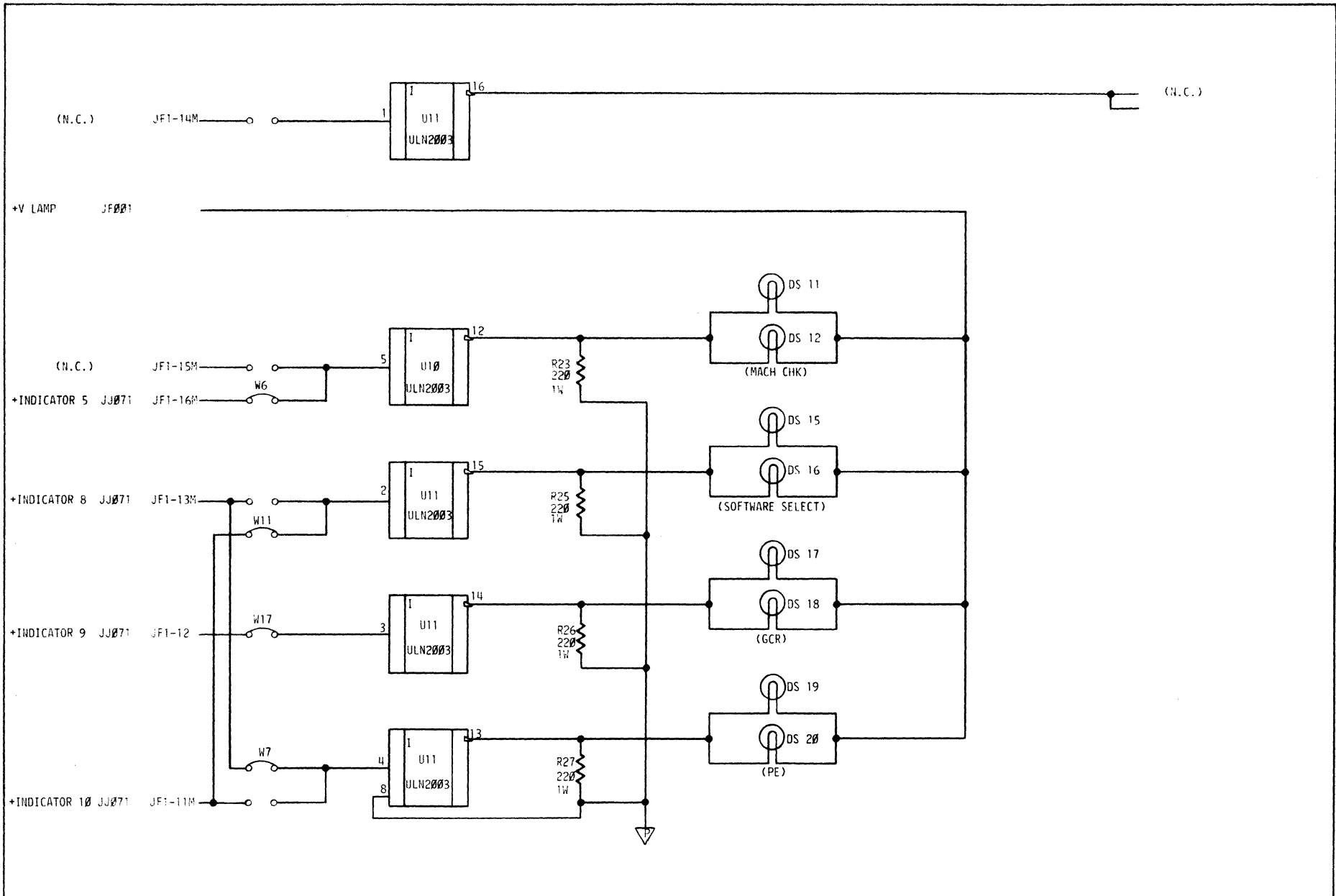
PRES. E. C. 44781
PREV. E. C. NONE
DATE 7-7-82

MACH. 1950
VERS. GBL. ROT.

CD. LOC. GATE FRAME

CD. P.N. CD. TYPE JF
PG. P.N. 4023361-01

J
F
0
3
1



NOTES: UNLESS OTHERWISE SPECIFIED

1. RESISTORS ARE 1/4W, 5% AND VALUES ARE IN OHMS.
2. INDICATORS DS1 THRU DS22 ARE TYPE 73, 14V, 80MA, INSTALLED IN SOCKET, STC PART NUMBER 10079016-7.

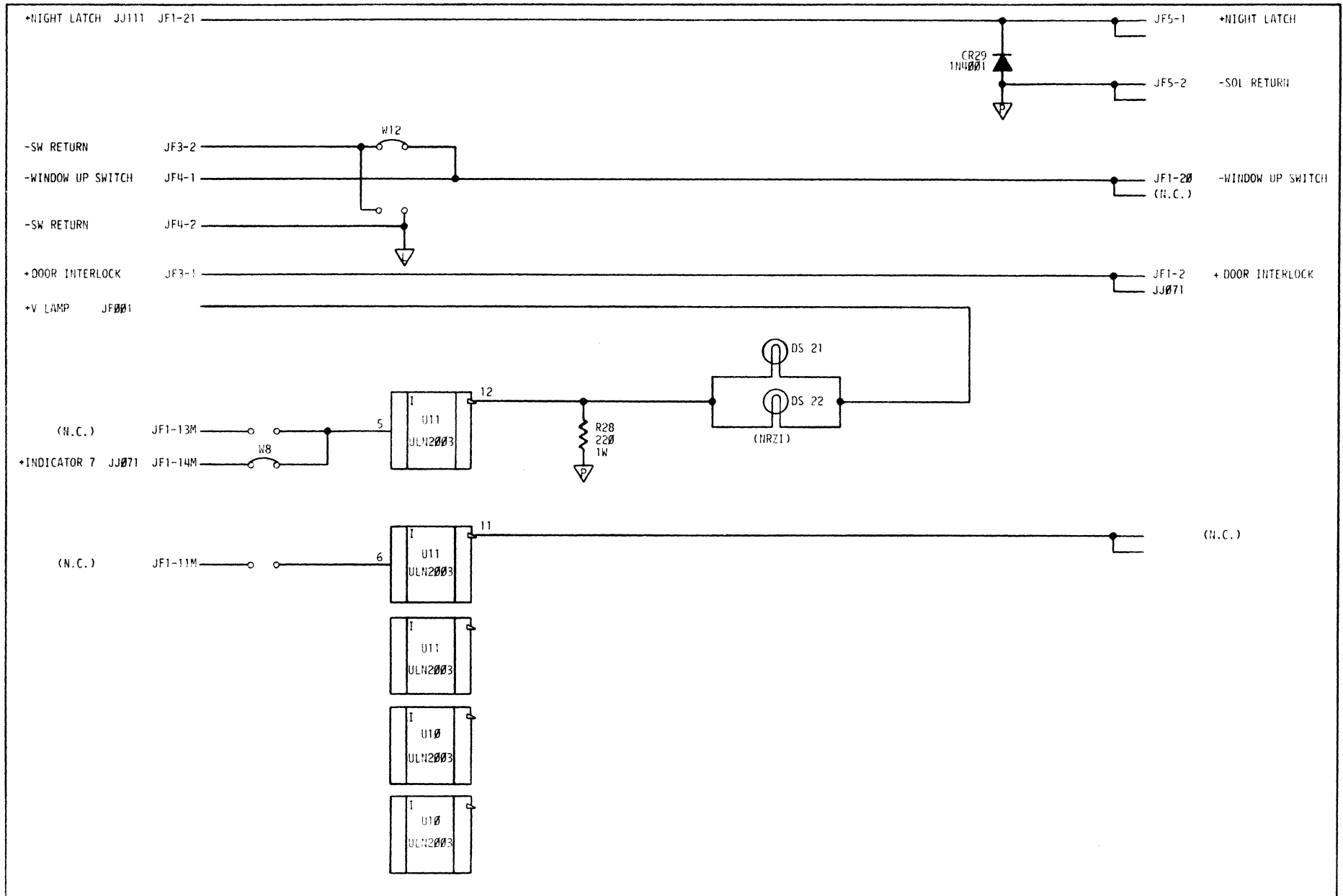
INDICATORS 6-10

PRES. E.C. 44781
 PREV. E.C. NONE
 DATE 7-7-82

MACH. 1950
 VERS. GBL. ROT.

CD. LOC. GATE FRAME

CD. P.N. JF
 PG. P.N. 4023362-01



NOTES: UNLESS OTHERWISE SPECIFIED

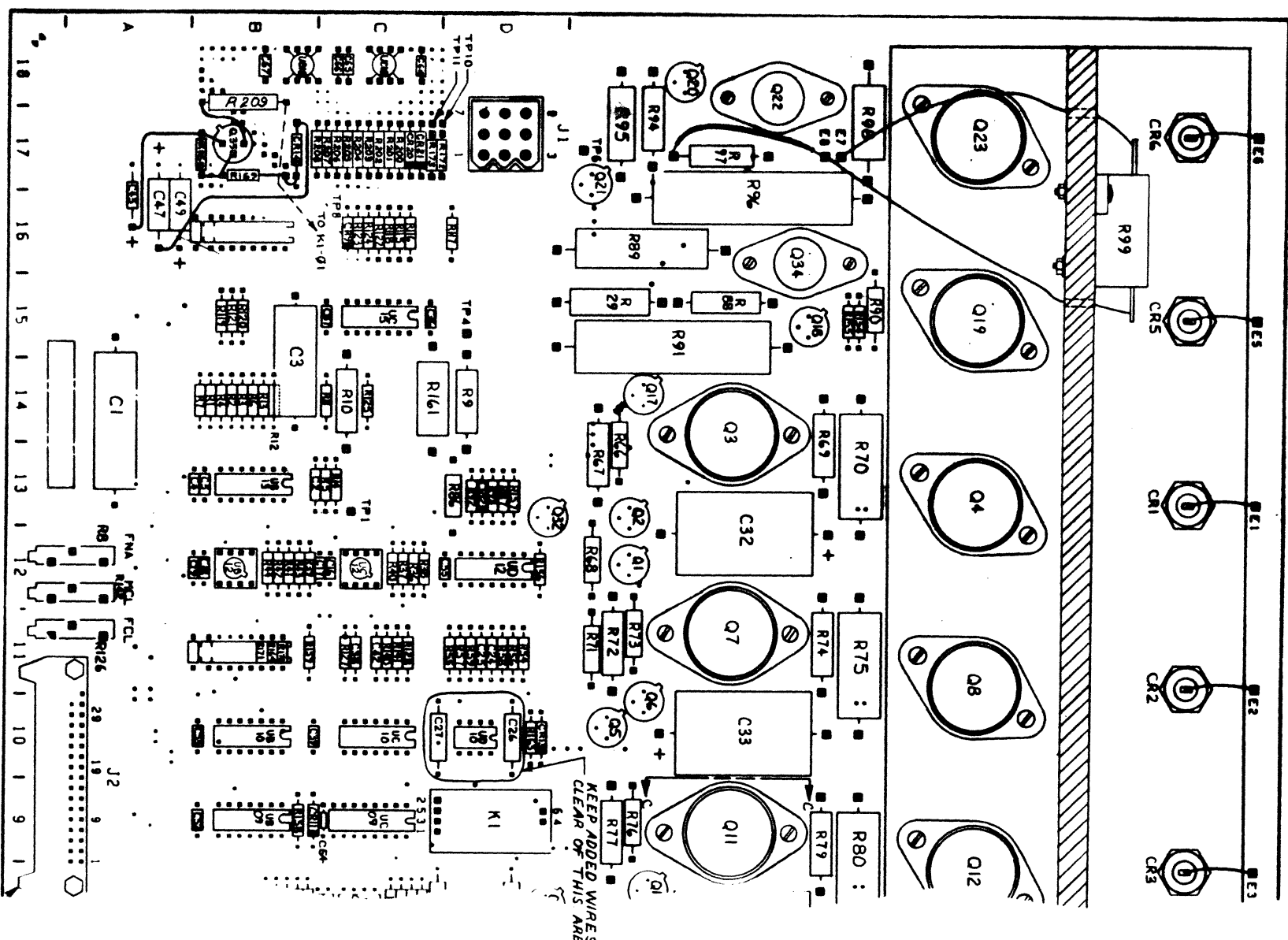
1. RESISTORS ARE 1/4W, 5% AND VALUES ARE IN OHMS.

		INDICATORS 11 & 12, INTERLOCK SWITCHES		JF051
PRES. E.C.	44781	MACH. VERS.	1950	
PREV. E.C.	NONE	GBL. ROT.		
DATE	7-7-82	CD. LOC. GATE FRAME	CD. P.N. JF CD. TYPE PG. P.N. 4023363-01	

ASSEMBLY PARTS LIST

PRINT DATE	PAGE	EC NO
10-20-82	1	387

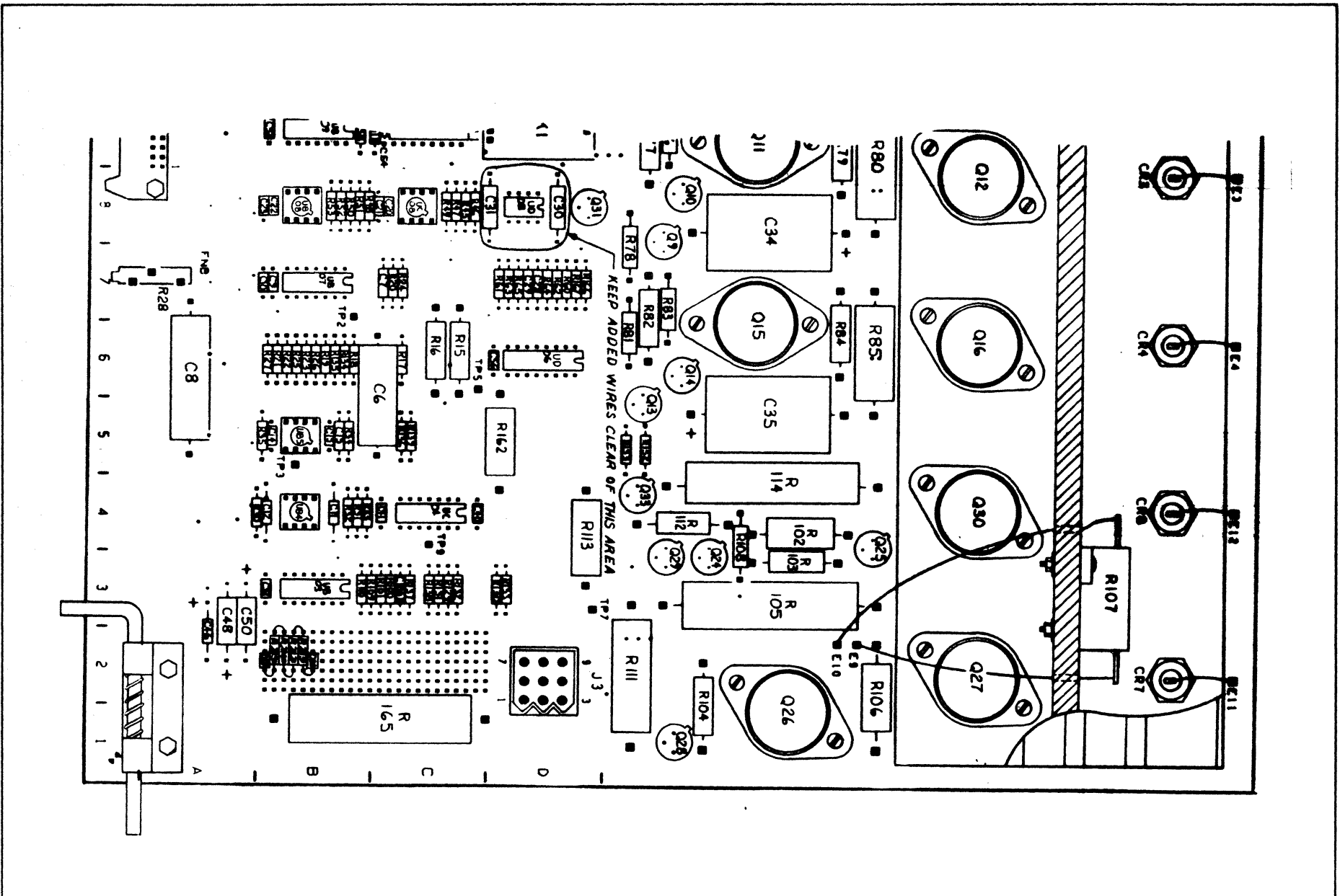
DIV	ASSEMBLY NUMBER	CD	REV	DWG.	DESCRIPTION	MC	STATUS	STATUS DATE	FILE DATE				
0500	43500059	1	B	N	SYS LGC GP, JH, 43103304, PC	N	SPR	09-28-81	1950	09-28-81			
ITEM NO	LI	PART NUMBER	CD	QTY	U/M	PART DESCRIPTION	MC	YLD	EC NO IN	EC NO OUT	S/N	WK IN	WK OUT
000	01	43504023	3	REF	PC	SYS LGC, AB001, JH, PC	D						
001	01	43504024	1	REF	PC	SYS LGC, JH001, PC	D						
002	01	43504025	8	REF	PC	SYS LGC, JH011, PC	D						
003	01	43504026	6	REF	PC	SYS LGC, JH021, PC	D						
004	01	43504027	4	REF	PC	SYS LGC, JH031, PC	D						
005	01	43504028	2	REF	PC	SYS LGC, JH041, PC	D						
006	01	43504029	0	REF	PC	SYS LGC, JH051, PC	D						
007	01	43504030	8	REF	PC	SYS LGC, JH061, PC	D						
008	01	43504031	6	REF	PC	SYS LGC, JH071, PC	D						
009	01	43504032	4	REF	PC	SYS LGC, JH081, PC	D						
010	01	43504033	2	REF	PC	SYS LGC, JH091, PC	D						
500	01	43103304	2	REF	PC	CKT CD, JH, PC ASSEMBLY, FUD	S						
						0012 TOTAL LINES							



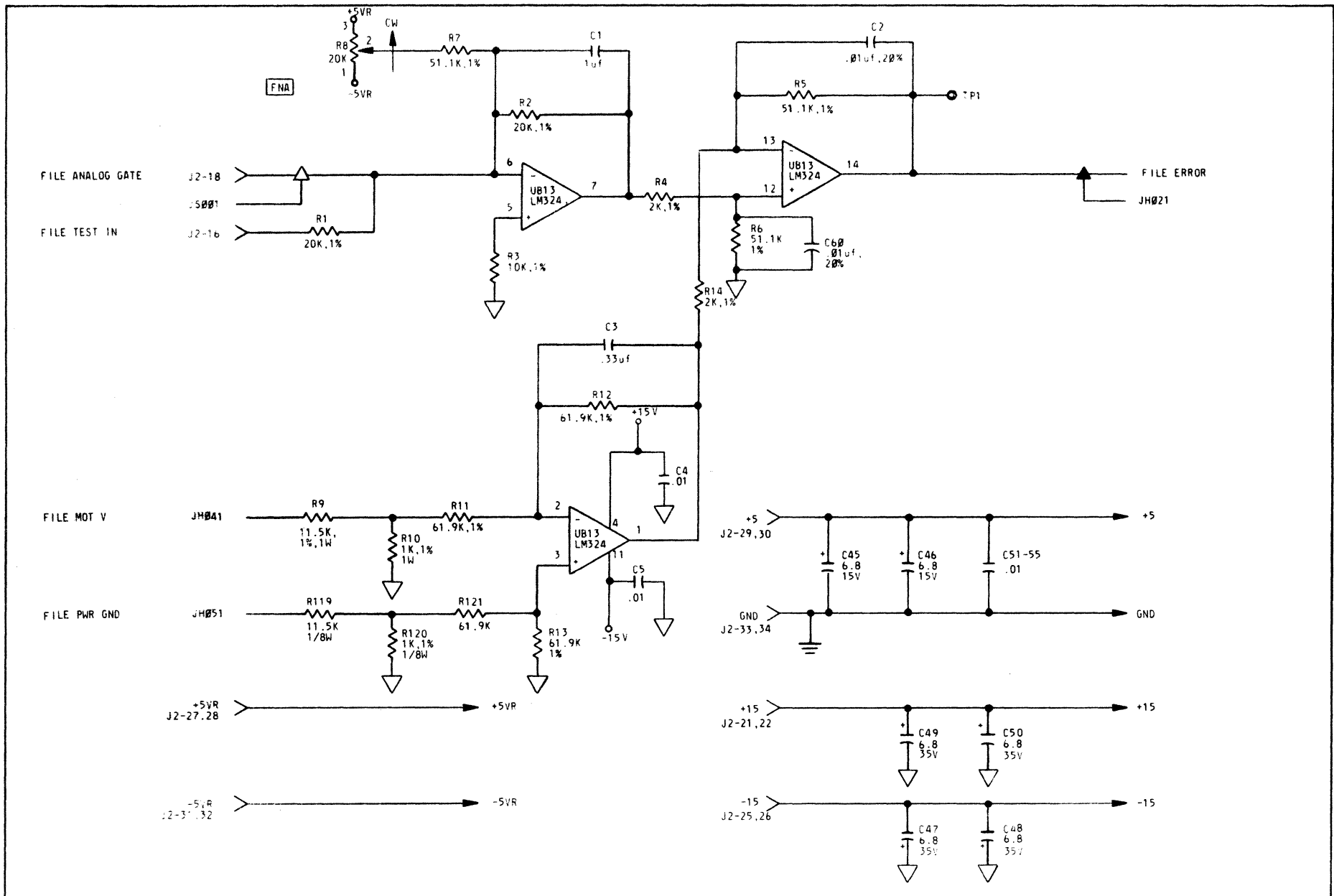
JH CARD, REEL POWER AMPLIFIER			
PREV. E.C.	44202	MACH.	1950
PREV. E.C.	44069	VERS.	
DATE	5-6-80	GBL. ROT.	
CD. LOC.	GATE	CD. P.N.	43103304-6
FRAME		CD. TYPE	JH
		PG. P.N.	43504023-3

A B O O I

A B O O I



A B C D	PREL. E.C. 44202	MACH. 1950	CD. LOC.	CD. PN. 43103304-6
	PREV. E.C. 44069	VER.	SATE.	CD. TYPE JH
	DATE 5-6-80	GBL. ROT.	FRAME	PG. RN. 43504023-3

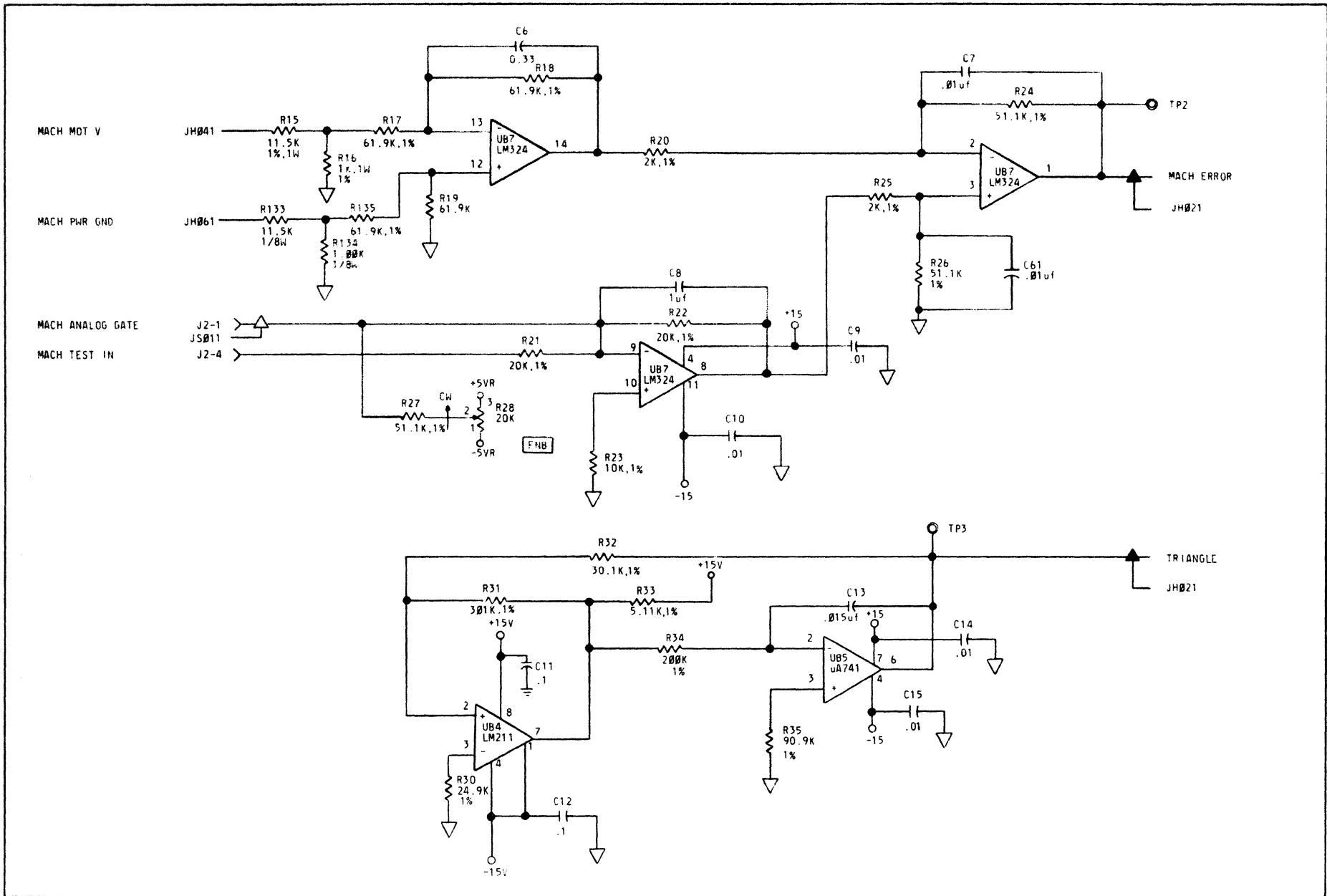


NOTES: UNLESS OTHERWISE SPECIFIED;
 1. ALL CAPACITOR VALUES ARE IN UF.
 2. ALL RESISTOR VALUES ARE IN OHMS, 1/4W, 5%, AND 1% RESISTORS ARE 1/8W.

FILE REEL ERROR PRES. E.C. 44702 PREV. E.C. 44069 DATE 5/7/80		MACH. 1950 VERS. GBL. ROT.		CD. LOC. GATE FRAME CD. P.N. JH PG. P.N. 43504024-1	
---	--	----------------------------------	--	---	--

JH001

JH001

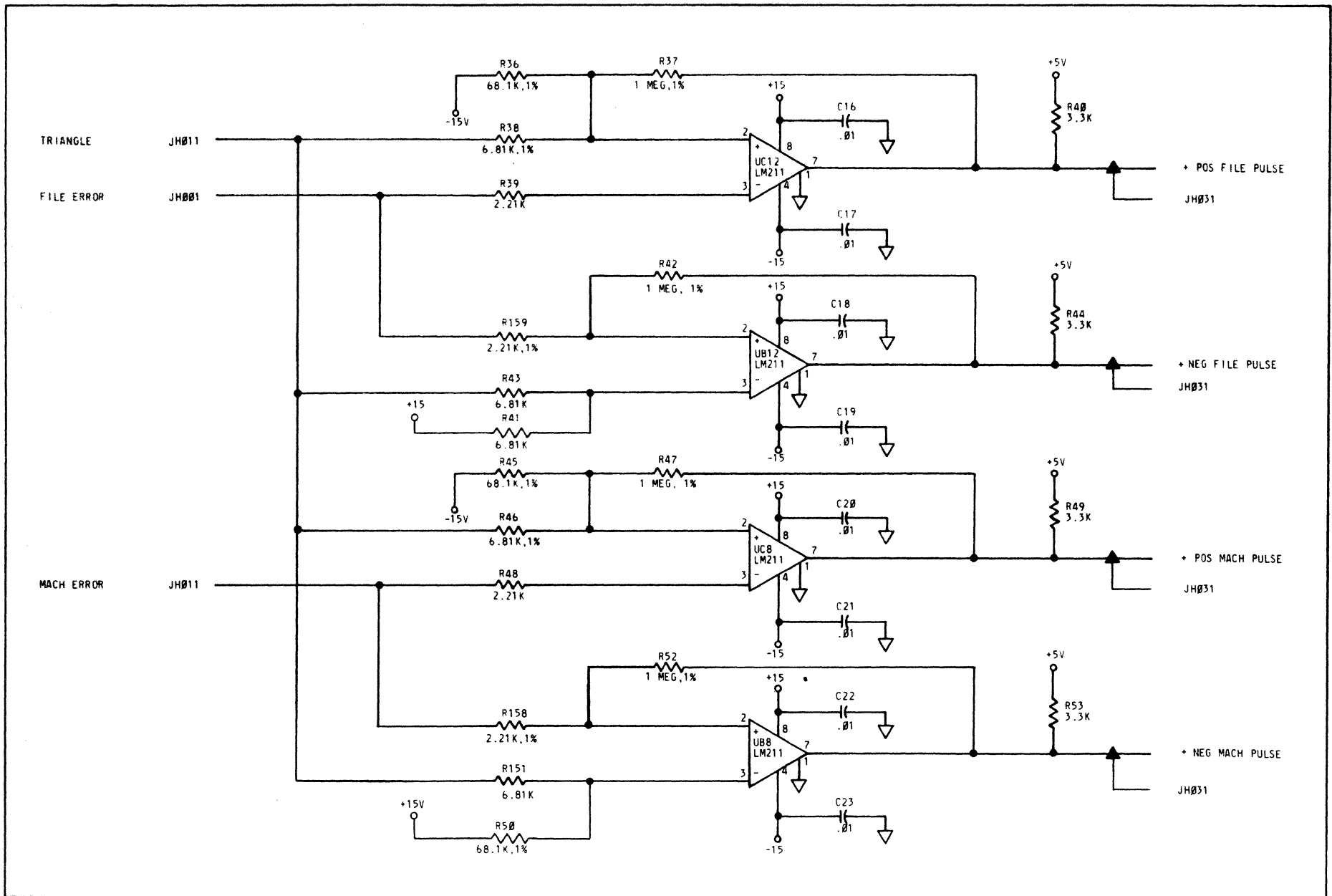


NOTES: 1. ALL CAPACITOR VALUES ARE IN μ F UNLESS NOTED.
 2. ALL RESISTOR VALUES ARE IN OHMS. 1/4W, 5%, AND 1% RESISTORS ARE 1/8 UNLESS NOTED.

		MACHINE REEL ERROR AND TRIANGLE GENERATOR			
PREV. E.C.	44202	MACH. VERS.	1950	CD. LOC.	GATE
DATE	44069	GBL. ROT.		FRAME	
	5/7/80			CD. P.N.	14
				PG. P.N.	43504025-6

JH011

JH011

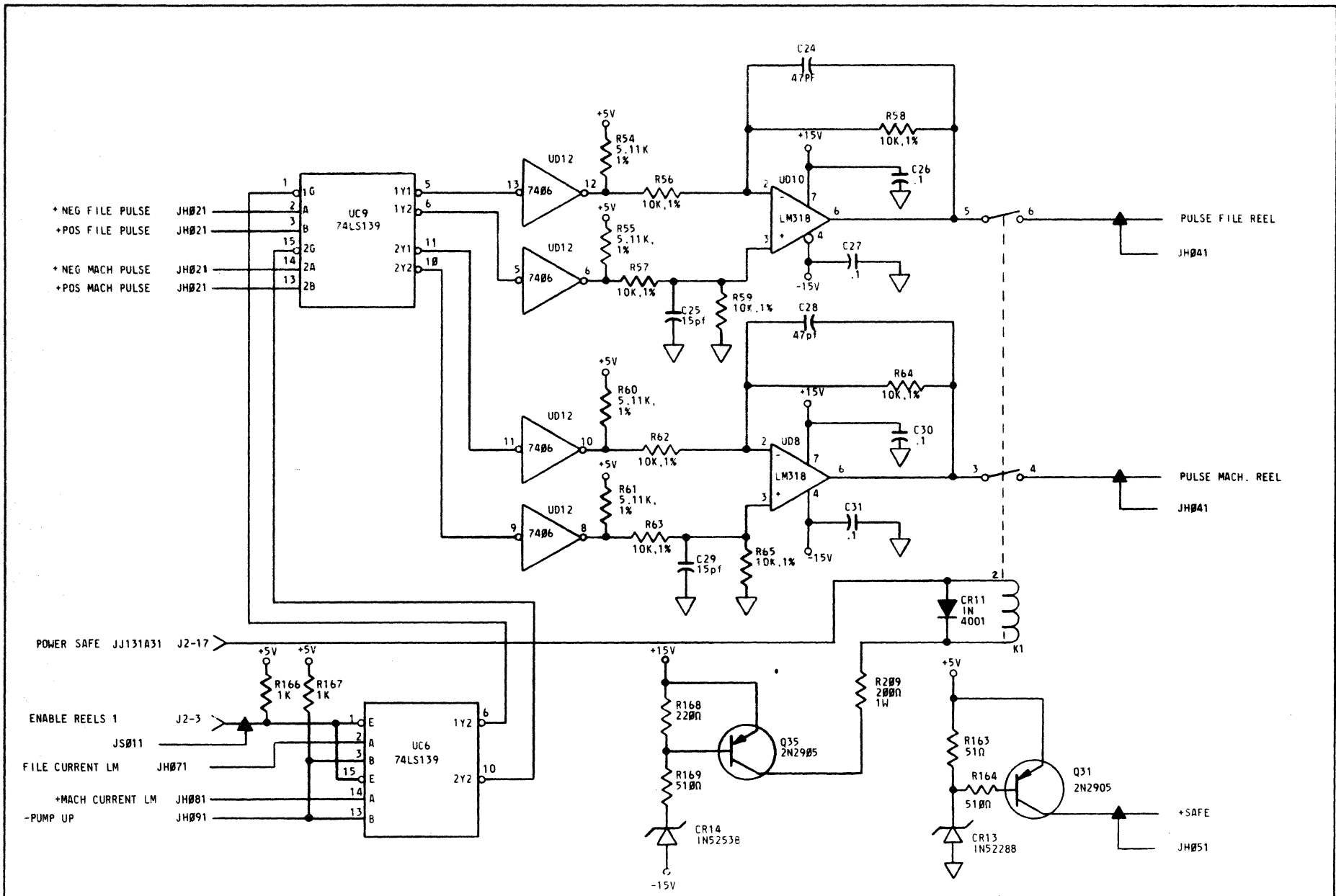


- NOTES: 1. ALL CAPACITOR VALUES ARE IN μf UNLESS NOTED.
 2. ALL RESISTOR VALUES ARE IN OHMS, 1/4W, 5%, AND 1% RESISTORS ARE 1/8 UNLESS NOTED.

		PULSE AMPLIFIER			
PRES. E.C.	44202	MACH. VERS.	1950	CD. LOC.	GATE
PREV. E.C.	44069	GBL. ROT.		FRAME	
DATE	5/7/80			CD. P.N.	JH
				GD. TYPE	43504026-6
				PG. P.N.	

JH
0
2
1

JH
0
2
1



- NOTES: 1. ALL CAPACITOR VALUES ARE IN μ F, UNLESS NOTED.
 2. ALL RESISTOR VALUES ARE IN OHMS, 1/4W, 5% AND 1% RESISTORS ARE 1/8W UNLESS NOTED.

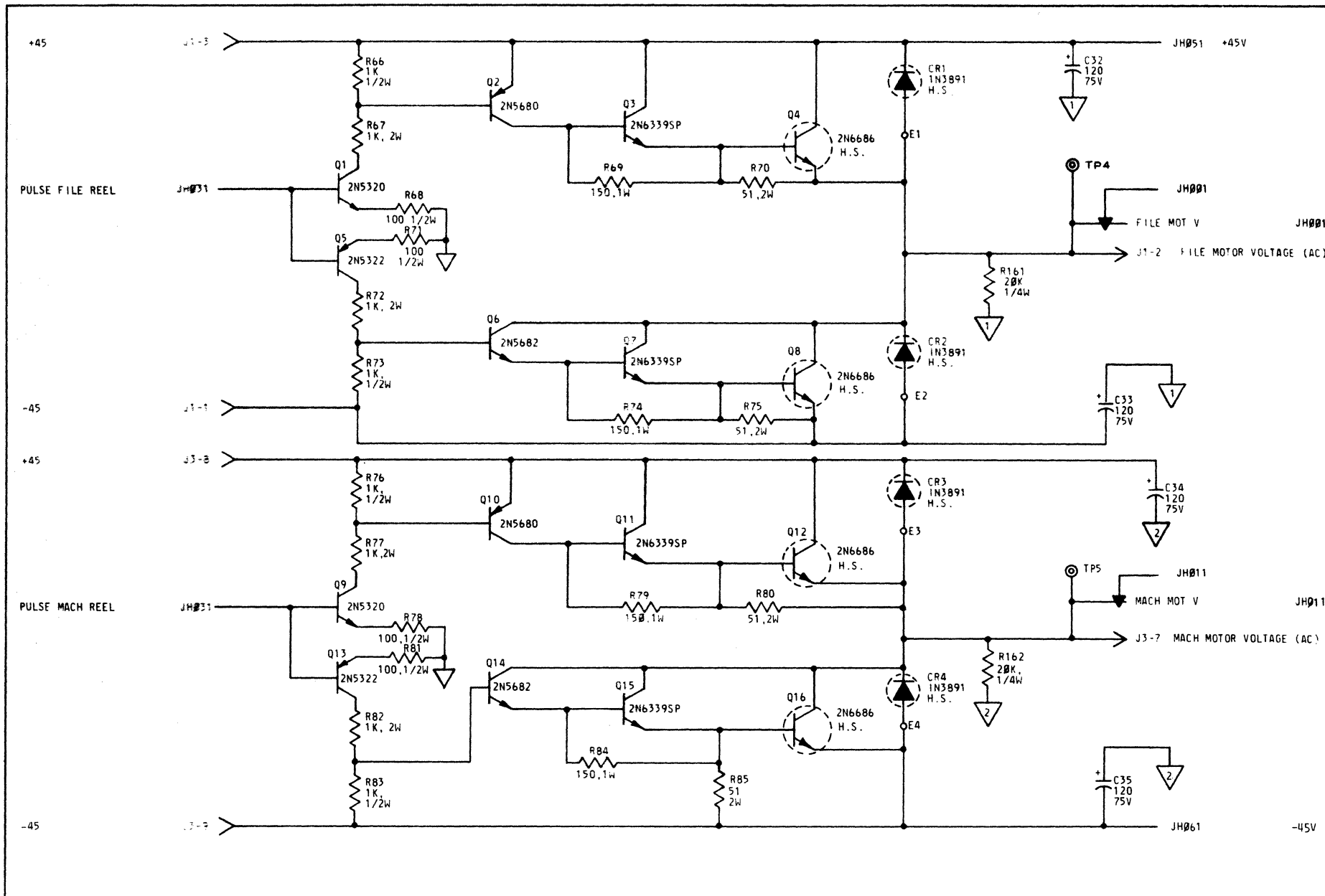
PULSE CONTROL
 PRES. E.C. 44202
 PREV. E.C. 44069
 DATE 5/7/80

MACH. 1950
 VERS. GBL. ROT.

CD. LOC. GATE FRAME

CD. P.N. JH
 CD. TYPE JH
 PG. P.N. 43504027-4

JH
 03
 1



- NOTES: 1. ALL CAPACITOR VALUES ARE IN μ f. UNLESS NOTED.
 2. ALL RESISTOR VALUES ARE IN OHMS, 1/4W, 5%, AND 1% RESISTORS ARE 1/8W. UNLESS NOTED.

FILE & MACHINE REEL POWER AMP

PRES. E.C. 44202
 PREV. E.C. 44069
 DATE 5/7/80

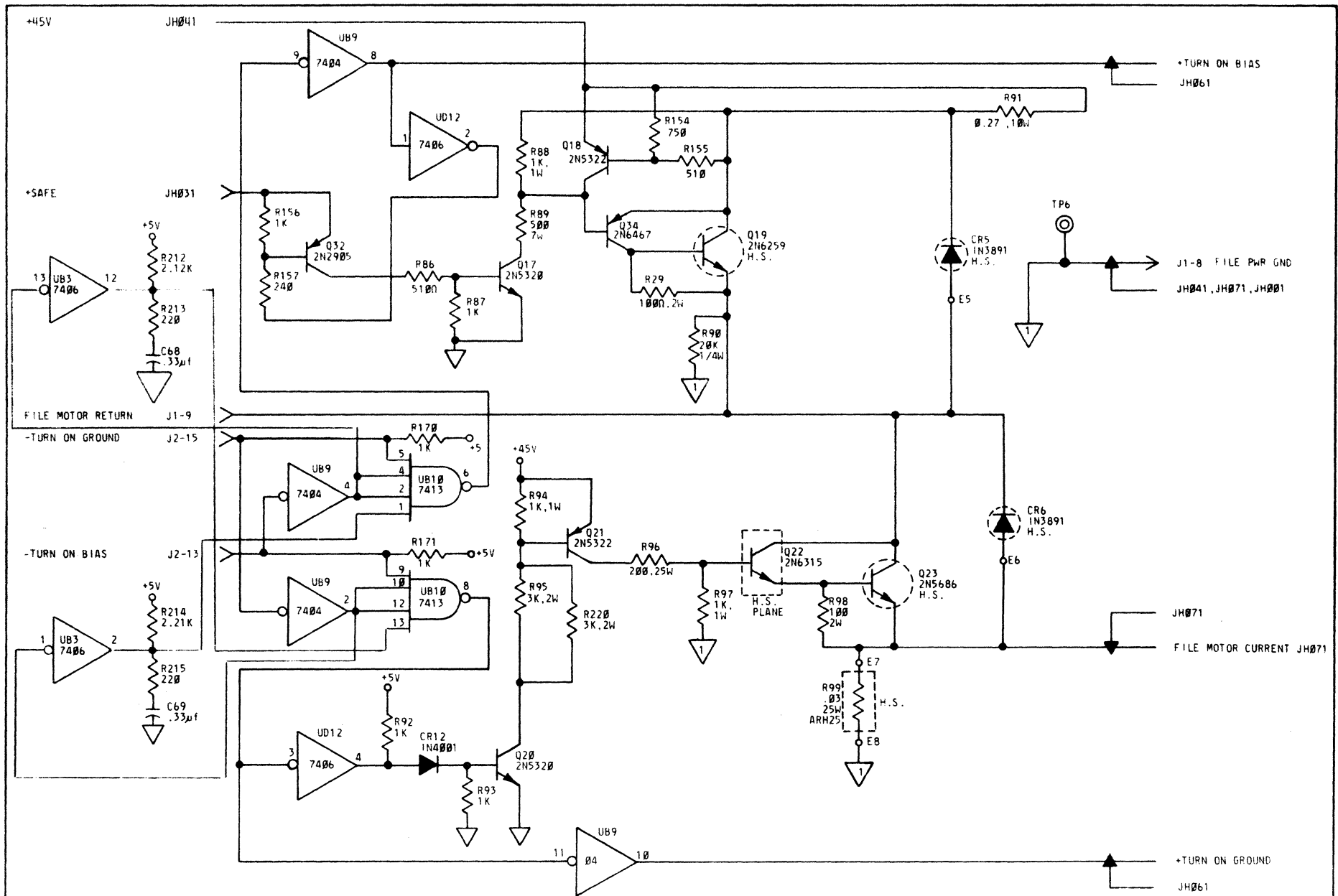
MACH. VERS. 1950
 GBL. ROT.

CD. LOC. GATE FRAME


CD. R.N. JH
 CD. TYPE JH
 PG. PN. 43504028-2

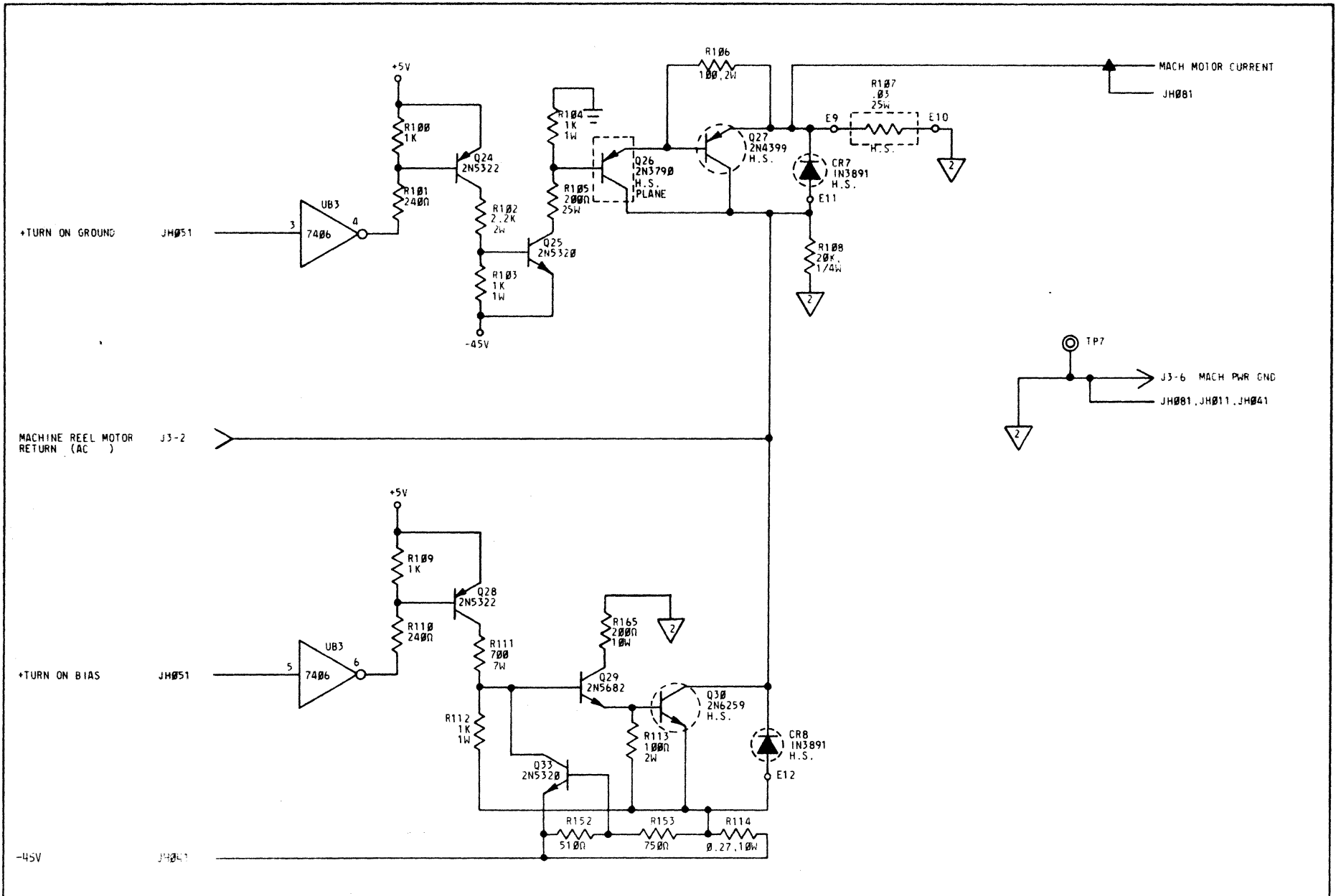
JH 041

JH 041



NOTES: 1. ALL CAPACITOR VALUES ARE IN μ f. UNLESS NOTED.
 2. ALL RESISTOR VALUES ARE IN OHMS, 1/4W, 5%, AND 1% RESISTORS ARE 1/8W. UNLESS NOTED.

 FILE REEL REWIND VOLTAGE SWITCH		JH 051	
PRES. E.C. 44202 PREV. E.C. 44069 DATE 5/7/80	MACH. 1950 VERS. GBL. ROT.	CD. LOC. GATE FRAME	CD. P.N. JH CD. TYPE PG. P.N. 43504029-0



- NOTES: 1. ALL CAPACITOR VALUES ARE IN μ f. UNLESS NOTED.
 2. ALL RESISTORS VALUES ARE IN OHMS, 1/4W, 5%, AND 1% RESISTORS ARE 1/8W. UNLESS NOTED.

MACHINE REEL REWIND VOLTAGE SWITCH
 PRES. E.C. 44202
 PREV. E.C. 44069
 DATE 5/7/80
 MACH. VERS. 1950
 GBL. ROT.

CD. LOC.
 GATE
 FRAME

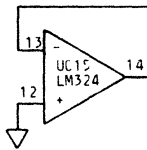
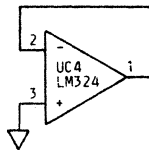
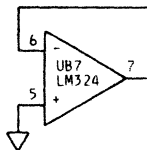
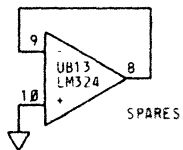
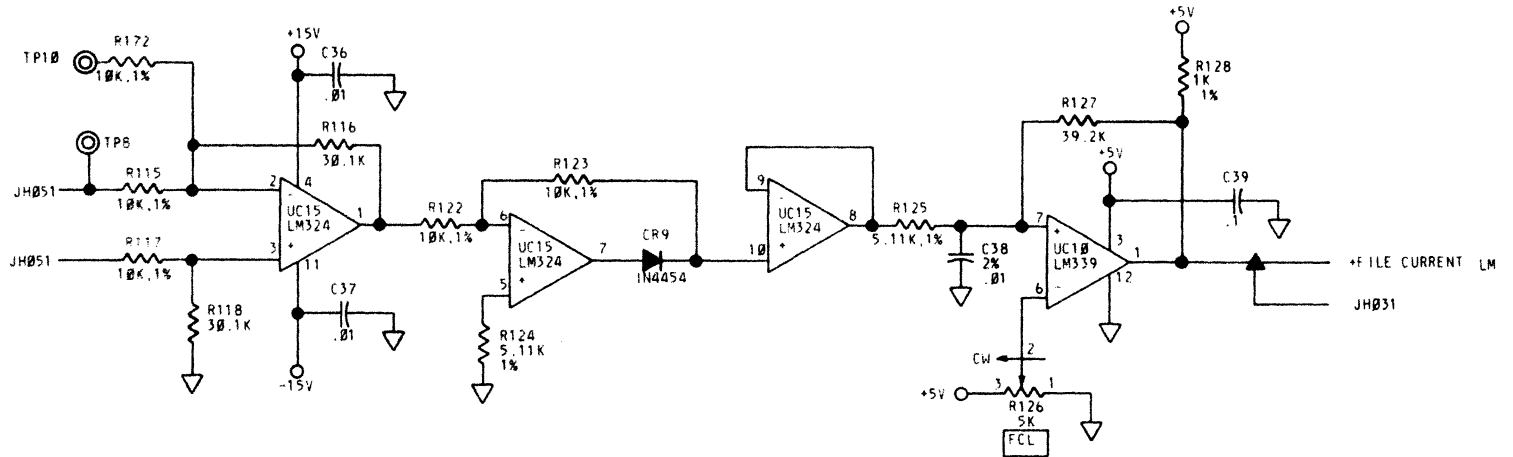
CD. P.N.
 CD. TYPE JH
 PG. P.N. 43500030-8

JH
 06
 1

JH
 06
 1

FILE MOTOR CURRENT

FILE PWR GND



- NOTES: 1. ALL CAPACITOR VALUES ARE IN μ f, UNLESS NOTED.
 2. ALL RESISTOR VALUES ARE IN OHMS, 1/4W, 5%, AND 1% RESISTORS ARE 1/8W UNLESS NOTED.

FILE CURRENT LIMIT

PRES. E.C. 44202
 PREV. E.C. 44069
 DATE 5/7/80

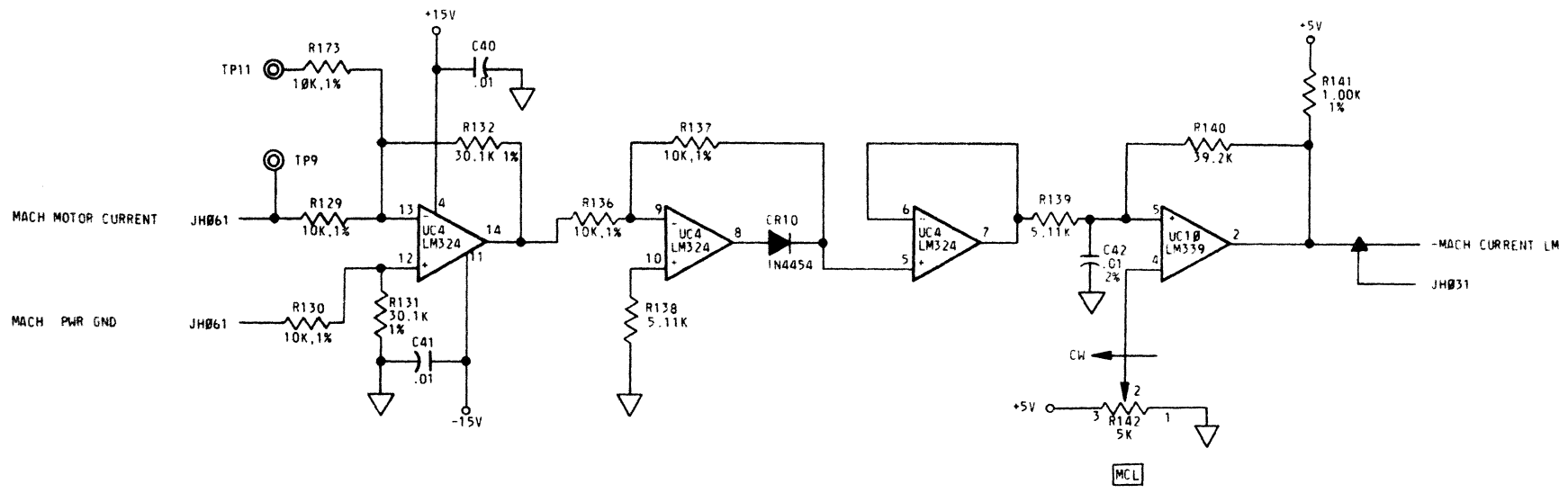
MACH. 1950
 VERS.
 GBL. ROT.

CD. LOC.
 GATE
 FRAME

CD. P.N. JH
 CD. TYPE 43504031-6
 PG. P.N.

JH
07
1

JH
07
1

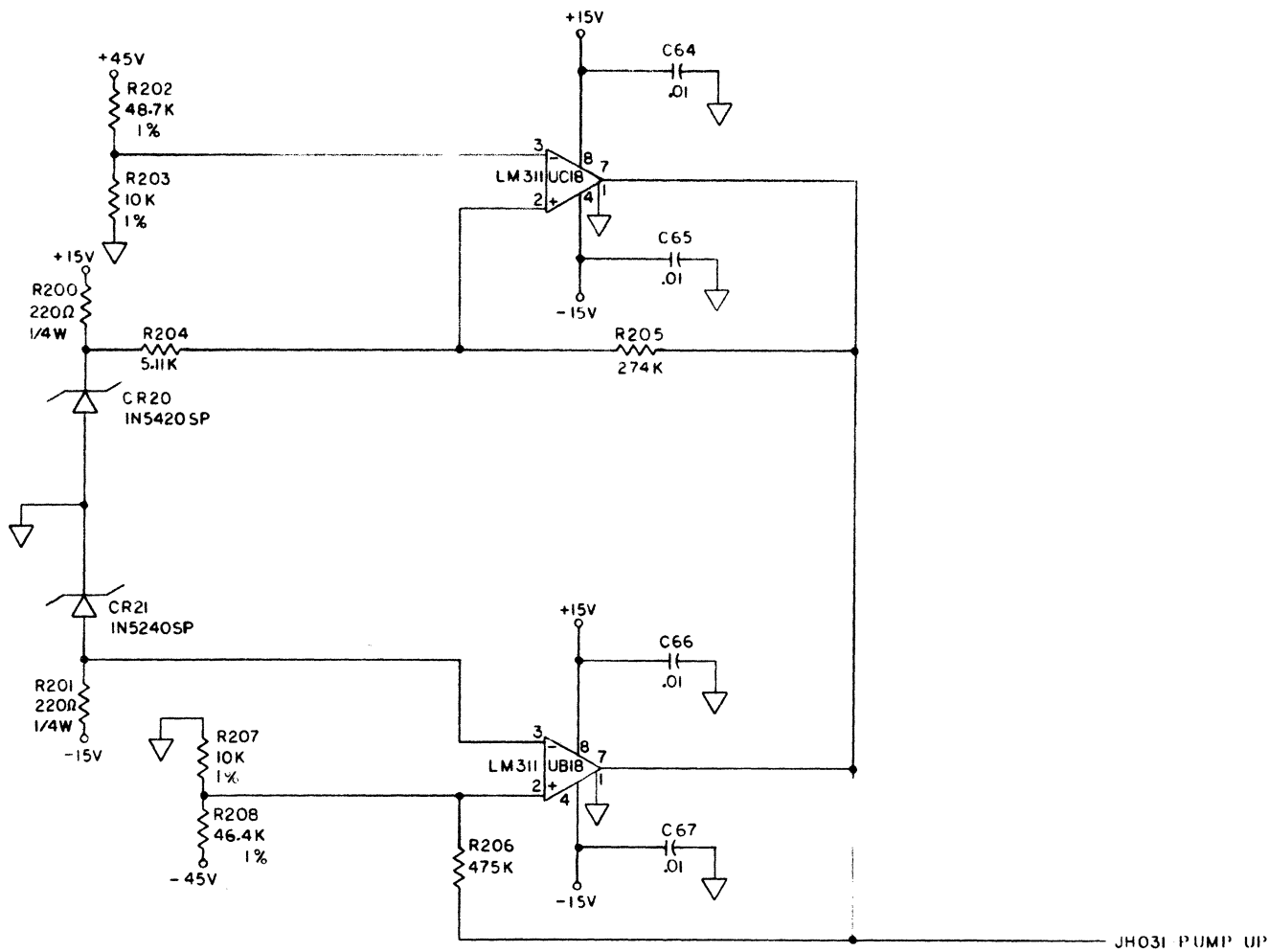


NOTES: 1. ALL CAPACITOR VALUES ARE IN μ f. UNLESS NOTED.
 2. ALL RESISTOR VALUES ARE IN OHMS, 1/4W, 5%, AND 1% RESISTORS ARE 1/8W. UNLESS NOTED.

		MACH CURRENT LIMIT			
PREV. E.C.	44202	MACH. VERS.	1950	CD. LOC. GATE FRAME	CD. P.N. JH
DATE	5/7/80	GBL. ROT.			PG. P.N. 43504032-4

JH081

JH081



JH031 PUMP UP

11091

GAF Polytrace 033

PUMP UP DETECT

PRES. E.C. 44202
 PREV. E.C. NONE
 DATE 5-5-80

MACH. 1950
 VERS.
 GBL. ROT.

CD. LOC.
 GATE
 FRAME

CD. P.N.
 CD. TYPE JH
 PG. PN. 43504033-2

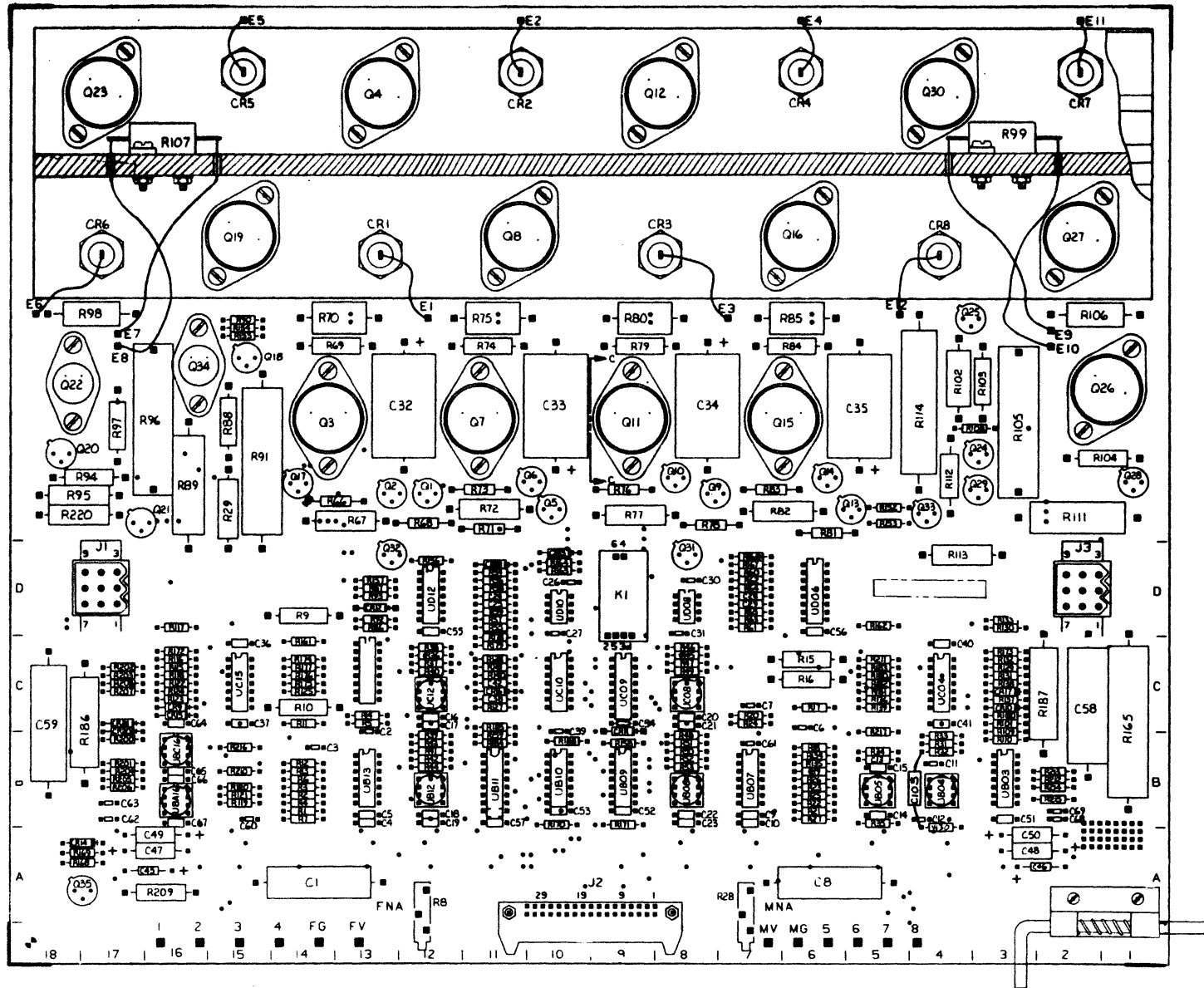
11091

ASSEMBLY PARTS LIST

BUILED ARC OUT

PRINT DATE	PAGE	E.C. NO.
10-18-82	1	828

DIV.	ASSEMBLY NUMBER	CD	REV.	DWG.	DESCRIPTION	MC	STATUS	STATUS DATE	FILE DATE					
0500	401275604	7	F	N	SYS LGC GP, JH, 401226204, PC	N	REL	10-07-82	1950 10-14-82					
T FIND NO	LI	PART NUMBER	CD	M	QUANTITY	U/M	PART DESCRIPTION	MC	YLD	E.C. NO. IN	E.C. NO. OUT	S/N	WK IN	WK OUT
000	01	401267703	7		REF	PC	CD LGC, JH, AB001, PC	D						
001	01	402334202	7		REF	PC	SYS LGC, JH 001, PC	D						
011	01	402334302	5		REF	PC	SYS LGC JH011, PC	D						
021	01	402334401	5		REF	PC	SYS LGC, JH021, PC	D						
031	01	402334501	2		REF	PC	SYS LGC, JH031, PC	D						
041	01	402334601	0		REF	PC	SYS LGC, JH041, PC	D						
051	01	402334702	6		REF	PC	SYS LGC, JH051, PC	D						
061	01	402334801	6		REF	PC	SYS LGC, JH061, PC	D						
071	01	402334902	2		REF	PC	SYS LGC, JH071, PC	D						
081	01	402335001	2		REF	PC	SYS LGC, JH081, PC	D						
091	01	402335101	0		REF	PC	SYS LGC, JH091, PC	D						
500	01	401226204	6		REF	PC	CKT CD, JH, PC ASSY	S						
							0012 TOTAL LINES							



ABB

GAF Polystyrene 933

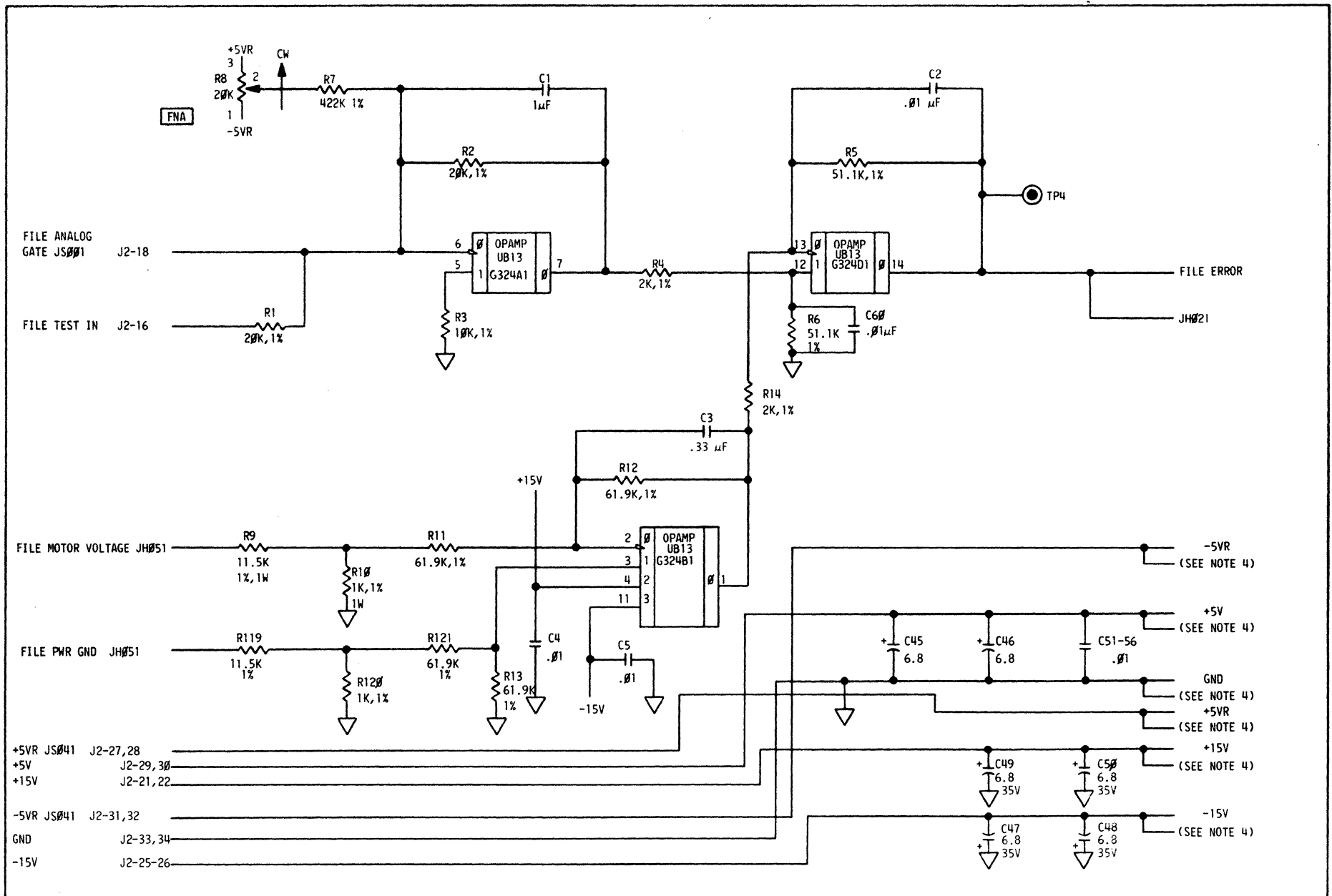
PRES. E.C. 44828
 PREV. E.C. 44686
 DATE 10-15-82

MACH. VERS.
 GBL. ROT.

CD. LOC.
 GATE
 FRAME

CD. P.N. 4012262-04
 CD. TYPE JH
 PG. P.N. 4012677-03

ABB

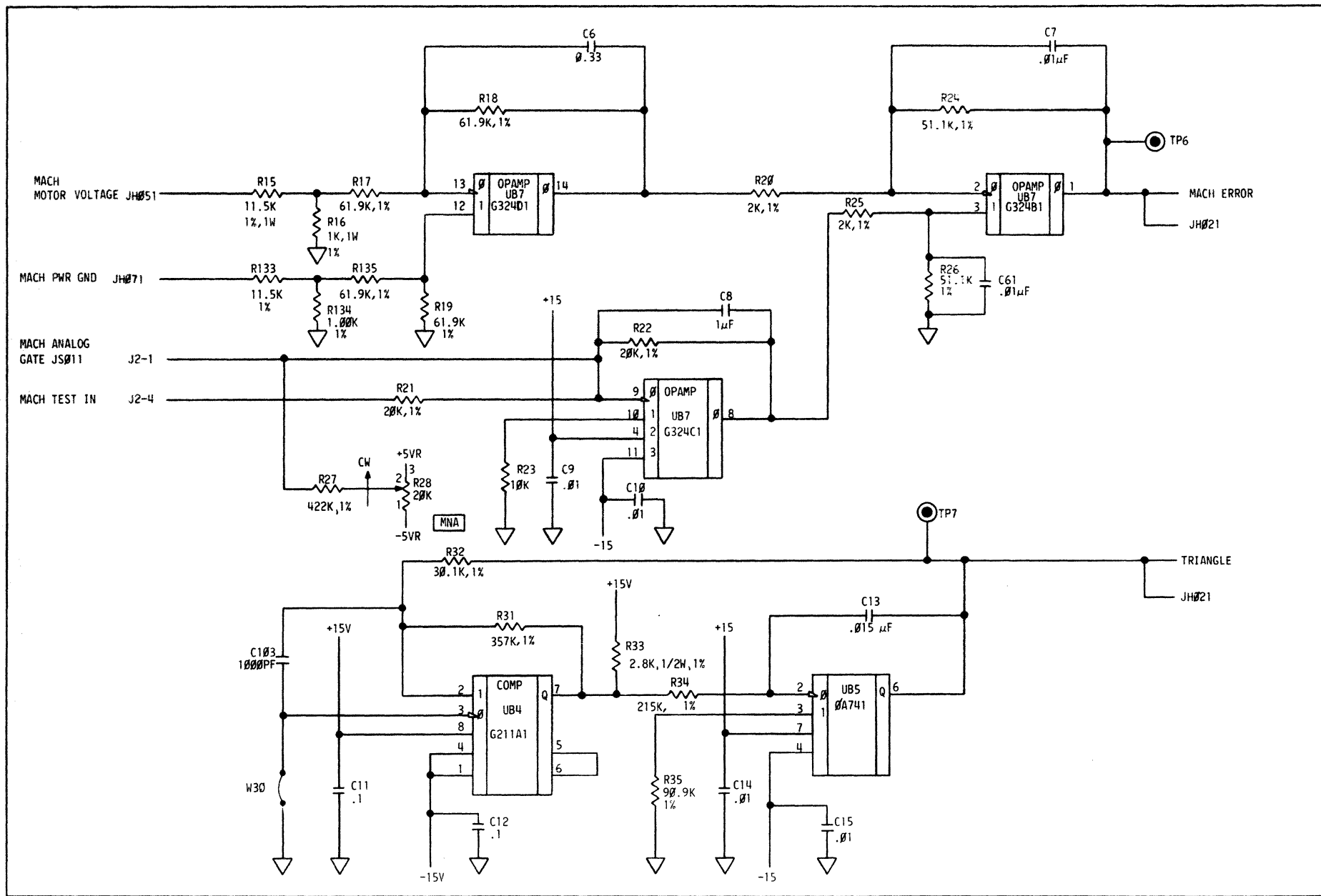


NOTES:
 1. UNLESS OTHERWISE SPECIFIED ALL CAPACITOR VALUES IN μF .
 2. ALL RESISTOR VALUES ARE IN OHMS, 1/4 W 5%, AND 1% RESISTORS ARE 1/8W.

3. ∇ DENOTES LOW POWER GROUND.
 4. THESE LINES ARE CONNECTED TO INTERNAL POWER OR GROUND PLANES.

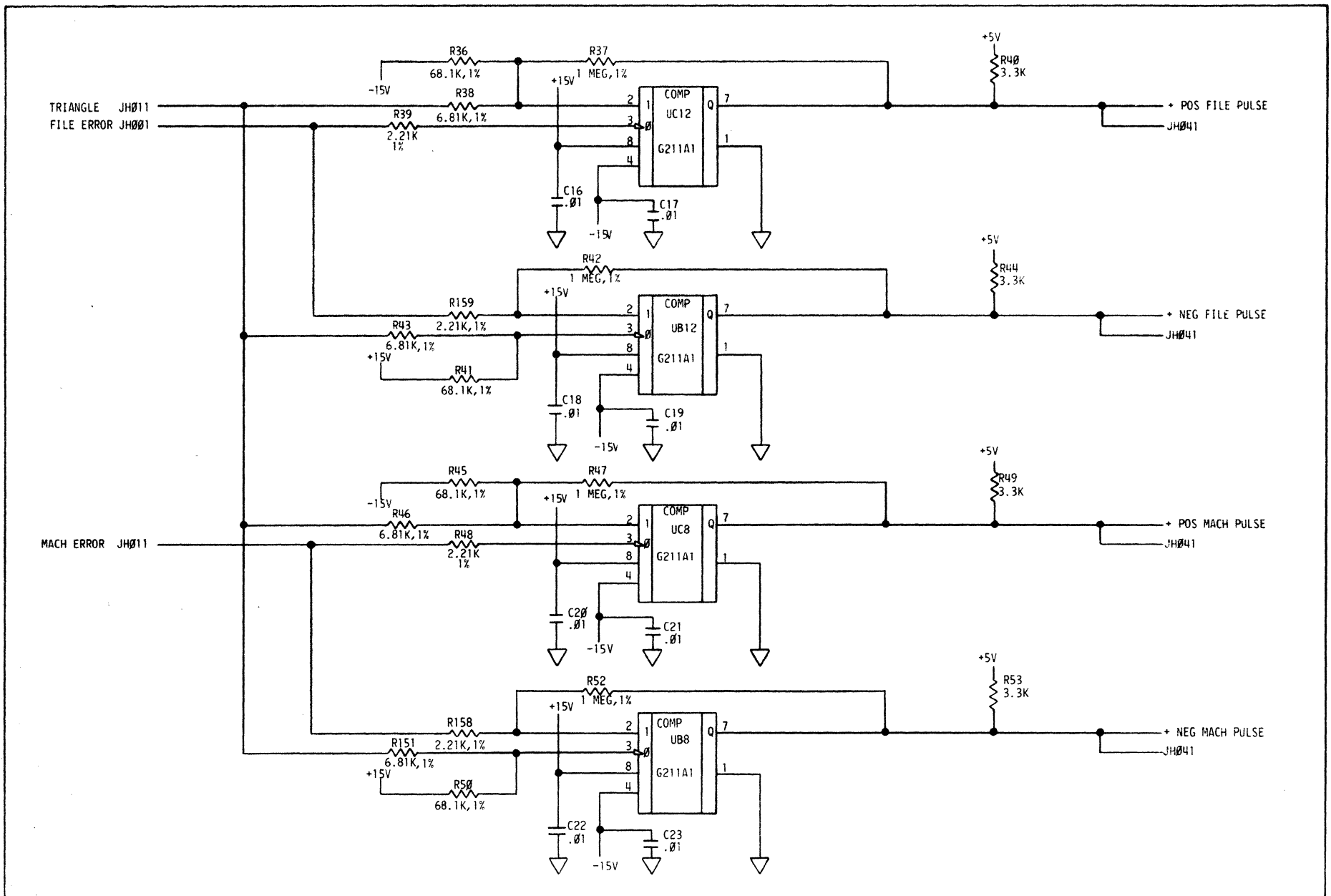
FILE REEL ERROR

PRES. E.C. 44828 PREV. E.C. 54517P DATE 10-14-82	MACH. VRS. 1950 GBL. ROT.	CD. LOC. GATE FRAME	CD. P.N. JH CD. TYPE JH PG. P.N. 4023342-02
---	--	----------------------------	--



- NOTES: UNLESS OTHERWISE SPECIFIED
- ALL CAPACITOR VALUES ARE IN μF .
 - ALL RESISTOR VALUES ARE IN OHMS, 1/4W 5%, AND 1% RESISTORS ARE 1/8W.
3. ∇ DENOTES LOW POWER GROUND

MACHINE REEL ERROR AND TRIANGLE GENERATOR			
PRES. E.C. 44828	MACH. VERS.	CD. LOC. GATE FRAME	CD. P.N. JH
PREV. E.C. 54517P	GBL. ROT.		CD. TYPE
DATE 10-1-72			PG. P.N. 4023343-02



NOTES: UNLESS OTHERWISE SPECIFIED

1. ALL CAPACITOR VALUES ARE IN μ F.
2. ALL RESISTOR VALUES ARE IN OHMS, 1/4W 5%, AND 1% RESISTORS ARE 1/8W.

3. ∇ DENOTES LOW POWER GROUND.

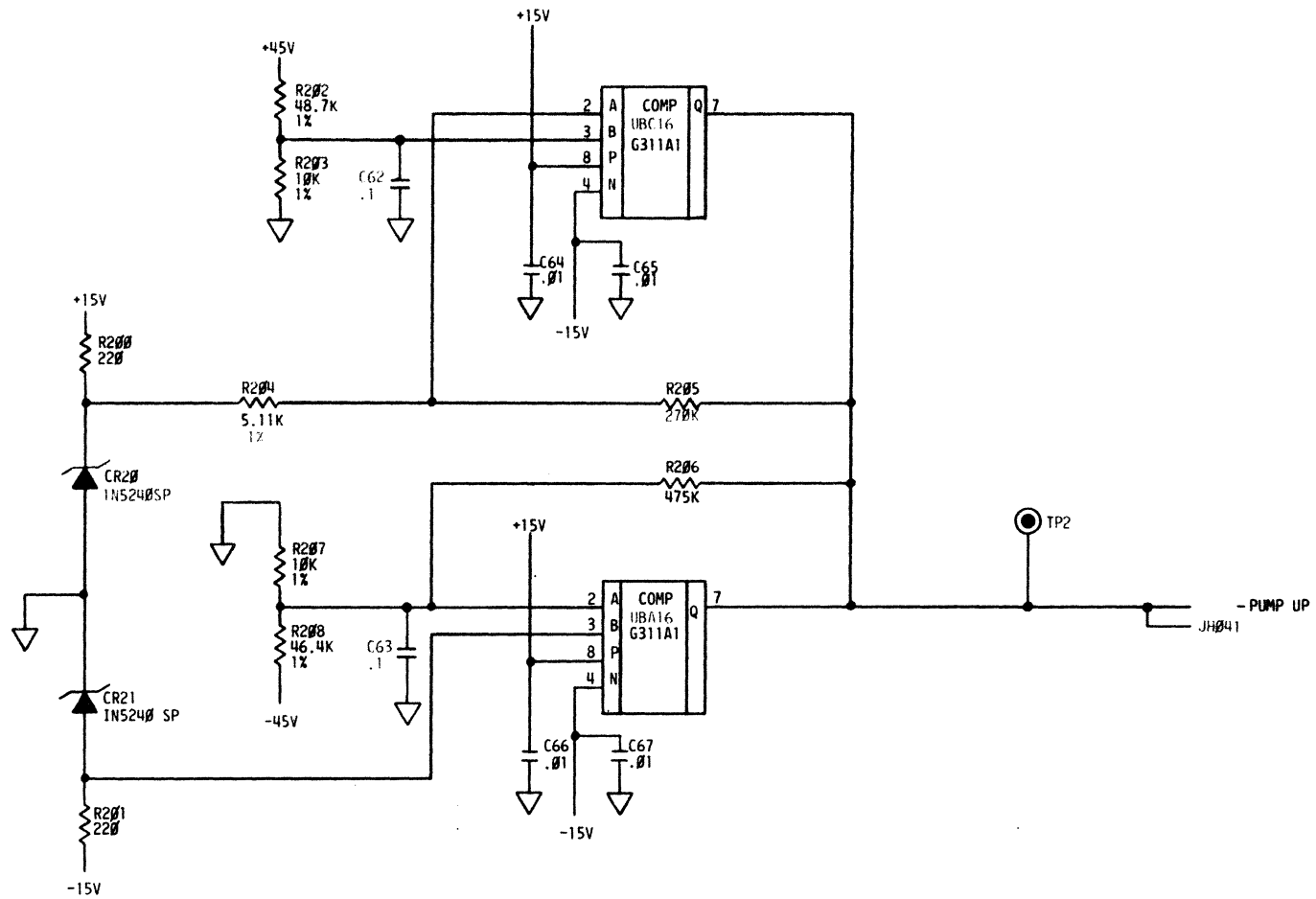
PULSE AMPLIFIER

PRES. E.C. 54517P
 PREV. E.C. NONE
 DATE 6-28-82

MACH. 1950
 VERS.
 GBL. ROT.

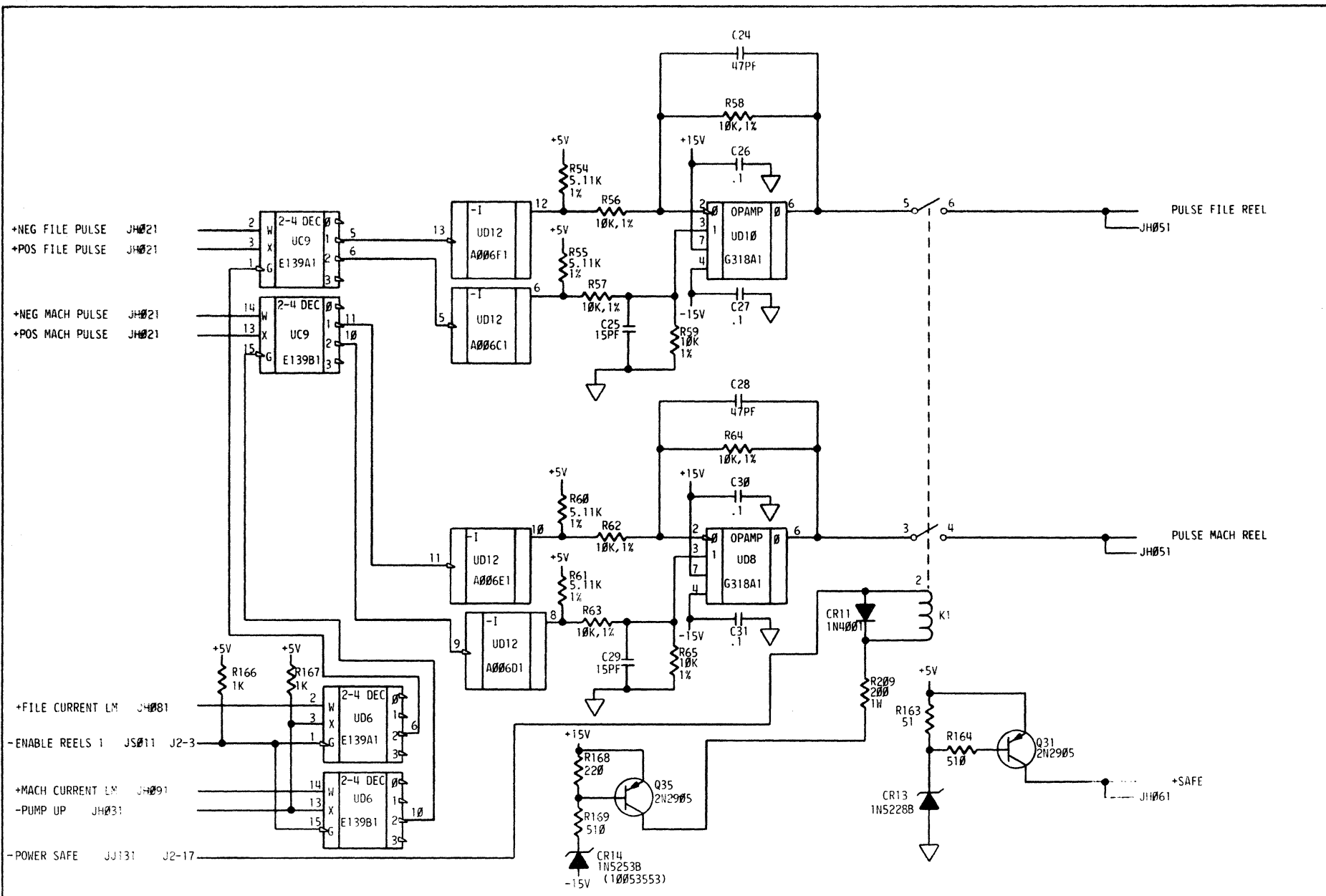
CD. LOC.
 GATE
 FRAME

CD. P.N.
 CD. TYPE JH
 PG. P.N. 4023344-01



- NOTES: UNLESS OTHERWISE SPECIFIED 3. ∇ DENOTES LOW POWER GROUND.
1. ALL CAPACITOR VALUES ARE IN μ F.
 2. ALL RESISTOR VALUES ARE IN OHMS, 1/4W 5% AND 1% RESISTORS ARE 1/8W.

PUMP UP DETECT				JH041
PRES. E.C.	54517P	MACH.	1950	
PREV. E.C.	NOHF	VERS.		
DATE	6-28-82	GBL. ROT.		
CD. LOC.	GATE	CD. P.N.	JH	
FRAME		CD. TYPE	JH	
			PG. P.N.	4023345-01



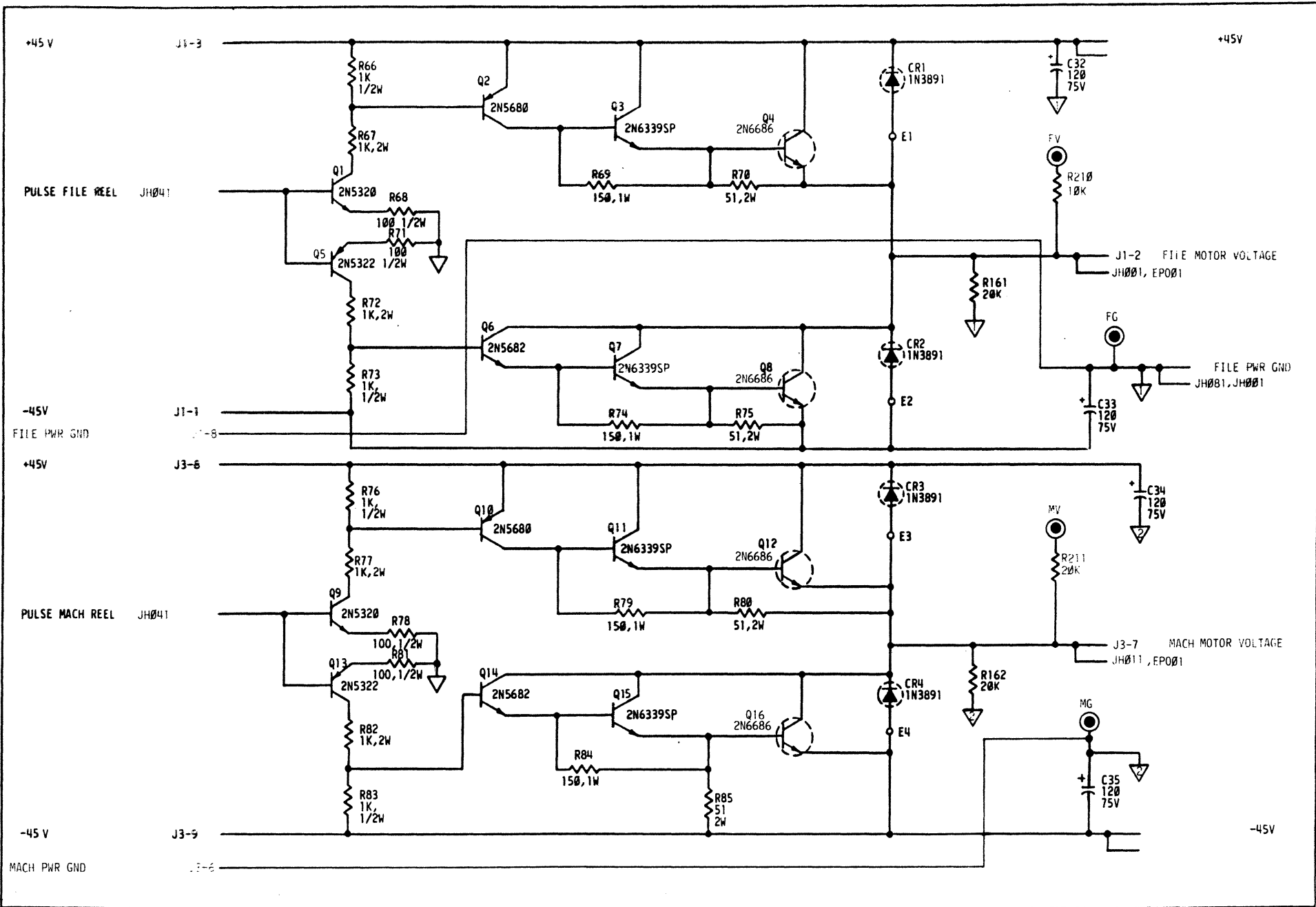
+NEG FILE PULSE JH021
 +POS FILE PULSE JH021
 +NEG MACH PULSE JH021
 +POS MACH PULSE JH021
 +FILE CURRENT LM JH081
 -ENABLE REELS 1 JS011 J2-3
 +MACH CURRENT LM JH091
 -PUMP UP JH031
 -POWER SAFE JJ131 J2-17

NOTES: UNLESS OTHERWISE SPECIFIED

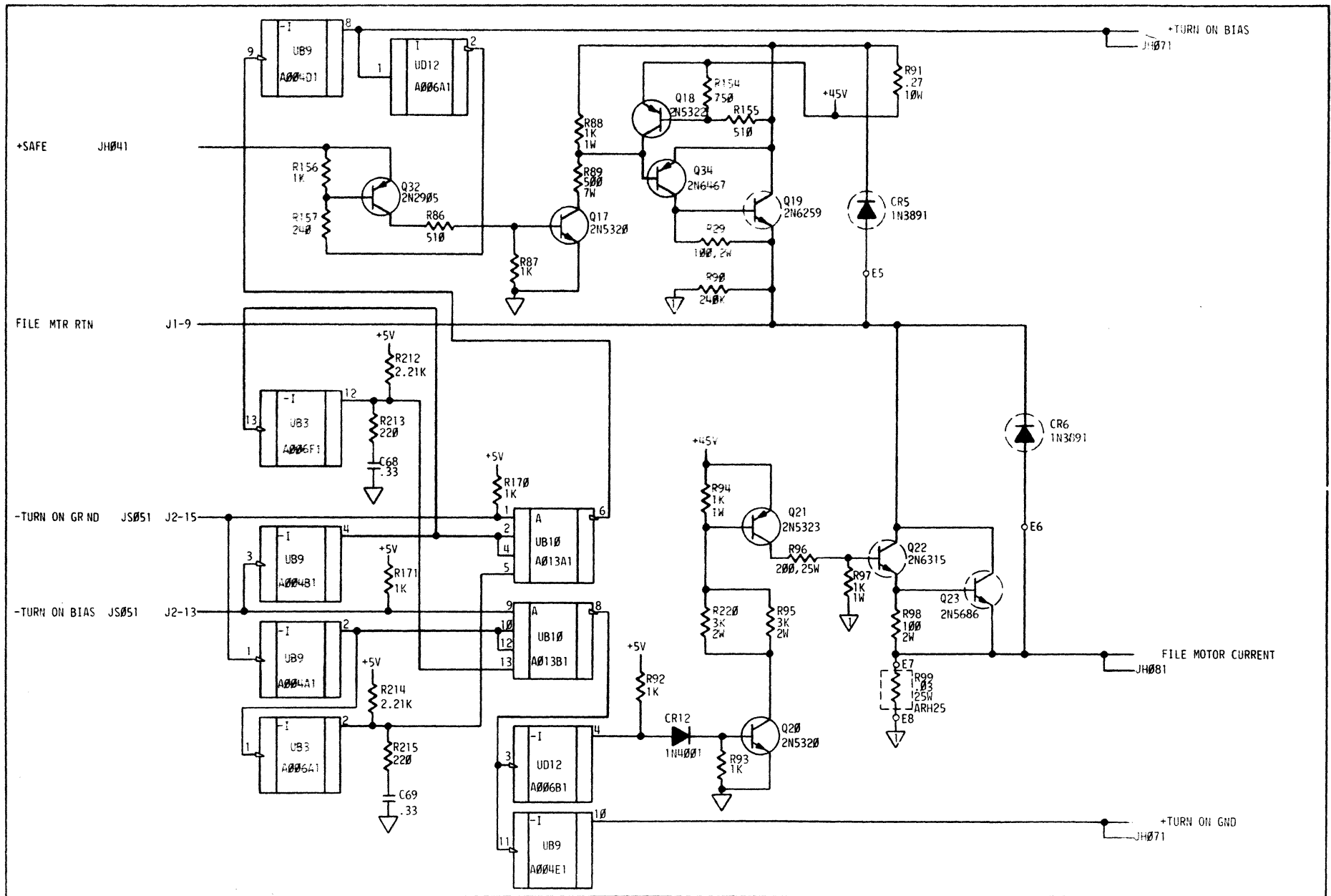
1. ALL CAPACITOR VALUES ARE IN μ F.
2. ALL RESISTOR VALUES ARE IN OHMS, 1/4W, 5%, AND 1% RESISTORS ARE 1/8W.

3. ∇ DENOTES LOW POWER GROUND.

PRES. E.C. 54517P		MACH. 1950		CD. LOC.		CD. P.N.	
PREV. E.C. NONE		VER.S. 1950		GATE		CD. TYPE JH	
DATE 6-28-82		GBL. ROT.		FRAME		PG. P.N. 4023346-01	



JH001	NOTES: (UNLESS OTHERWISE SPECIFIED)			7. COMPONENTS WITH DOTTED LINES ARE MOUNTED ON HEAT SINK.	FILE AND MACHINE REEL POWER AMP			JH001	
	1.	ALL CAPACITOR VALUES ARE IN μ F.	4. ∇ DENOTES LOW PWR. GND.		PRES. E.C. 44810 PREV. E.C. 44795 DATE 8-4-82	MACH. VERS. 1950 GBL. ROT.	CD. LOC. GATE FRAME		CD. R.N. JH CD. TYPE PG. RN. 4023347-02
	2.	ALL RESISTOR VALUES ARE IN OHMS.	5. ∇ DENOTES FILE MTR. GND.						
	3.	ALL RESISTORS ARE 1/4W, 5%, AND 1% RESISTORS ARE 1/8W.	6. ∇ DENOTES MACH. MTR. GND.						



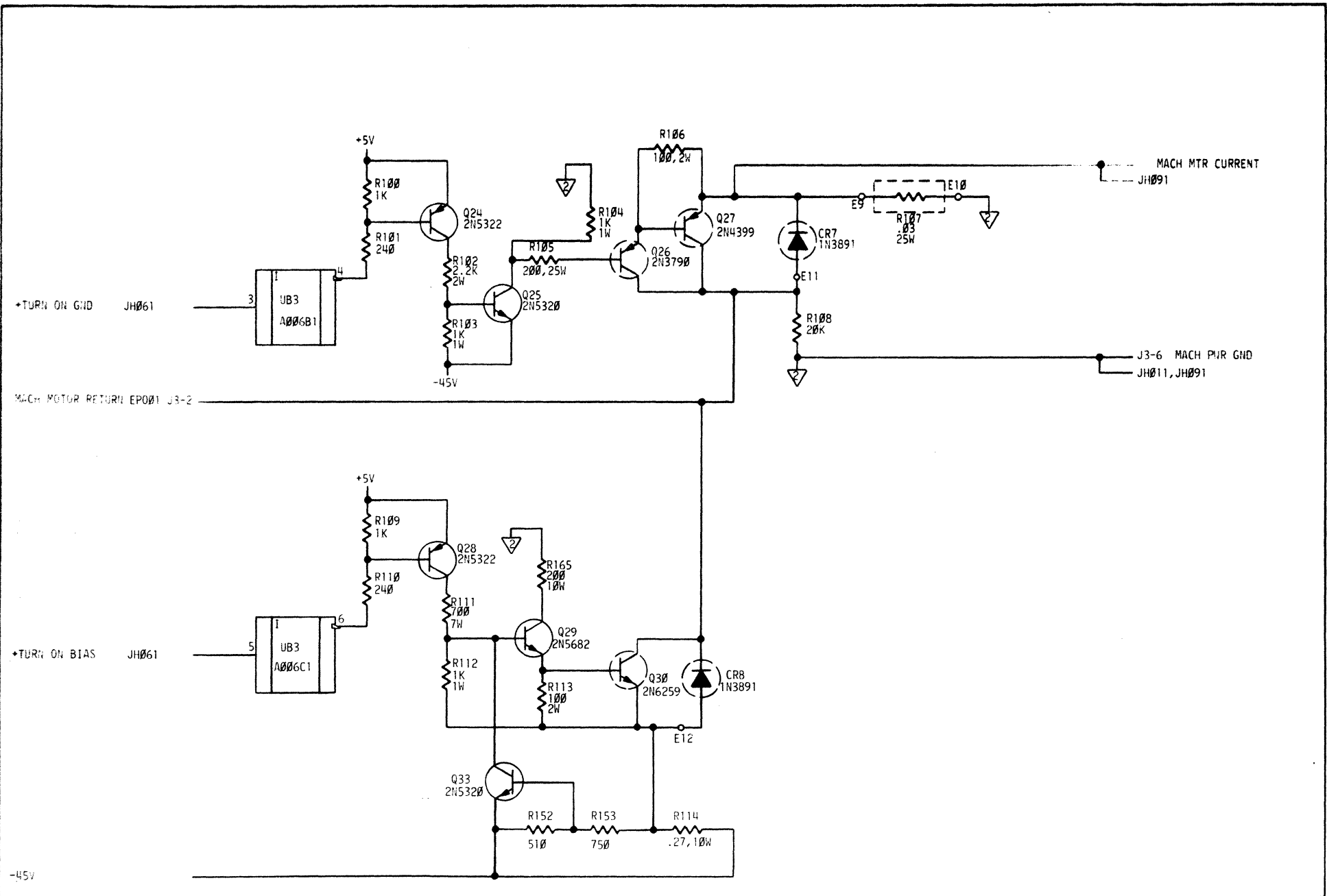
NOTES: UNLESS OTHERWISE SPECIFIED

1. ALL CAPACITORS VALUES ARE IN μ F.
2. ALL RESISTOR VALUES ARE IN OHMS, 1/4W, 5% AND 1% RESISTORS ARE 1/8W.

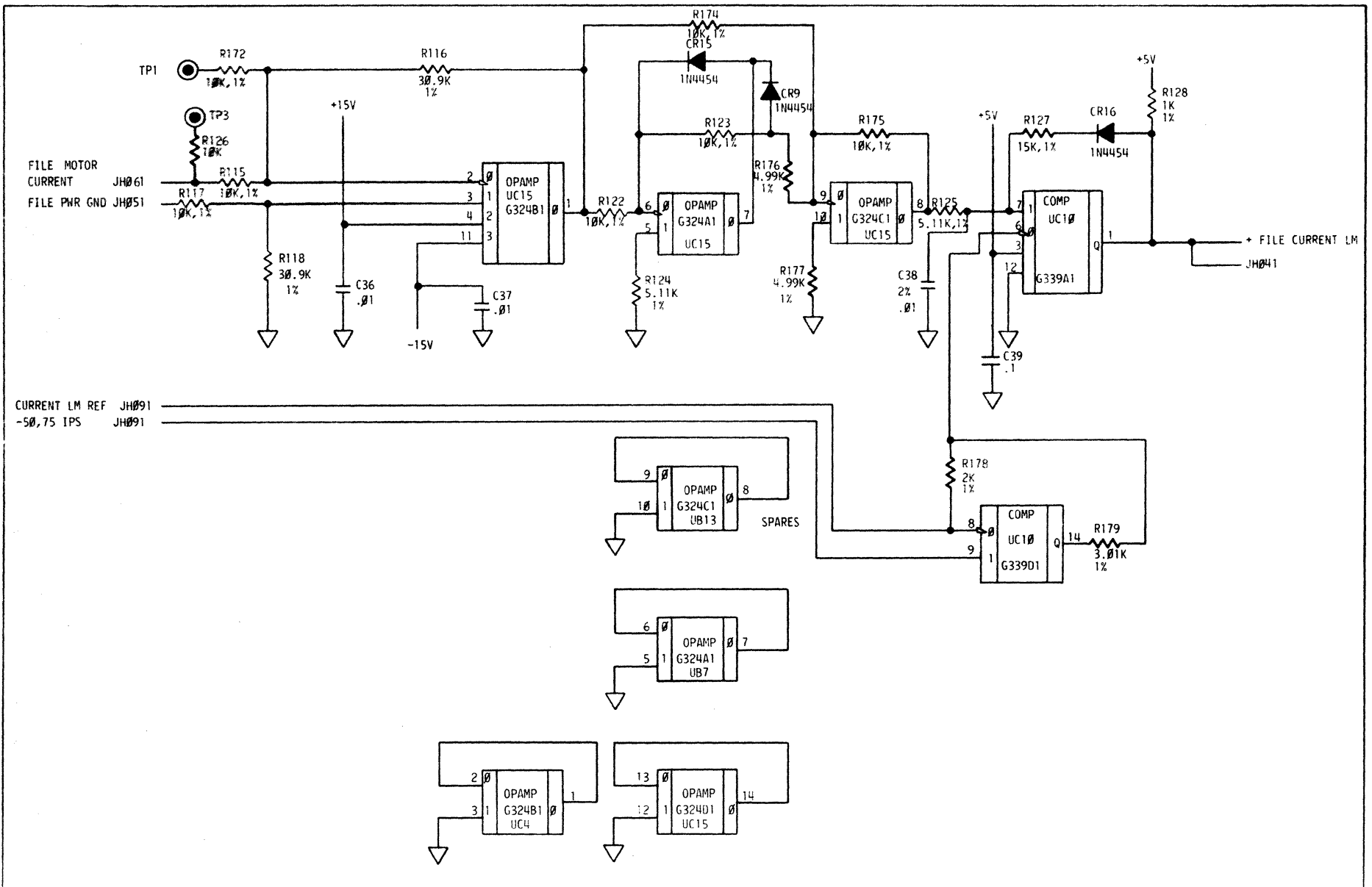
3. ∇ DENOTES FILE MOTOR GROUND.
4. ∇ DENOTES LOW POWER GROUND.
5. COMPONENTS WITH DOTTED LINES ARE MOUNTED ON HEATSINK

FILE REEL REWIND VOLTAGE SWITCH

PRES. E.C. DATE	5U517P NONE 6-28-82	MACH. VERS. GBL. ROT.	1950	CD. LOC. GATE FRAME	CD. P.N. CD. TYPE PG. P.N.	JH 6 1
					JH 4023348-01	



J H 0 7 1	NOTES: UNLESS OTHERWISE SPECIFIED 1. ALL CAPACITOR VALUES ARE IN μ F. 2. ALL RESISTOR VALUES ARE IN OHMS, 1/4W, 5% AND 1% RESISTORS ARE 1/8W.	3. DENOTES MACHINE MOTOR GROUND. 4. COMPONENTS WITH DOTTED LINES ARE MOUNTED ON A HEAT SINK.	MACHINE REEL REWIND		J H 0 7 1
	PRES. E.C. 44810 PREV. E.C. 44795 DATE 8-4-82	MACH. 1950 VERS. 44795 GBL. ROT.	CD. LOC. GATE FRAME	CD. P.N. JH PG. P.N. 4023349-22	



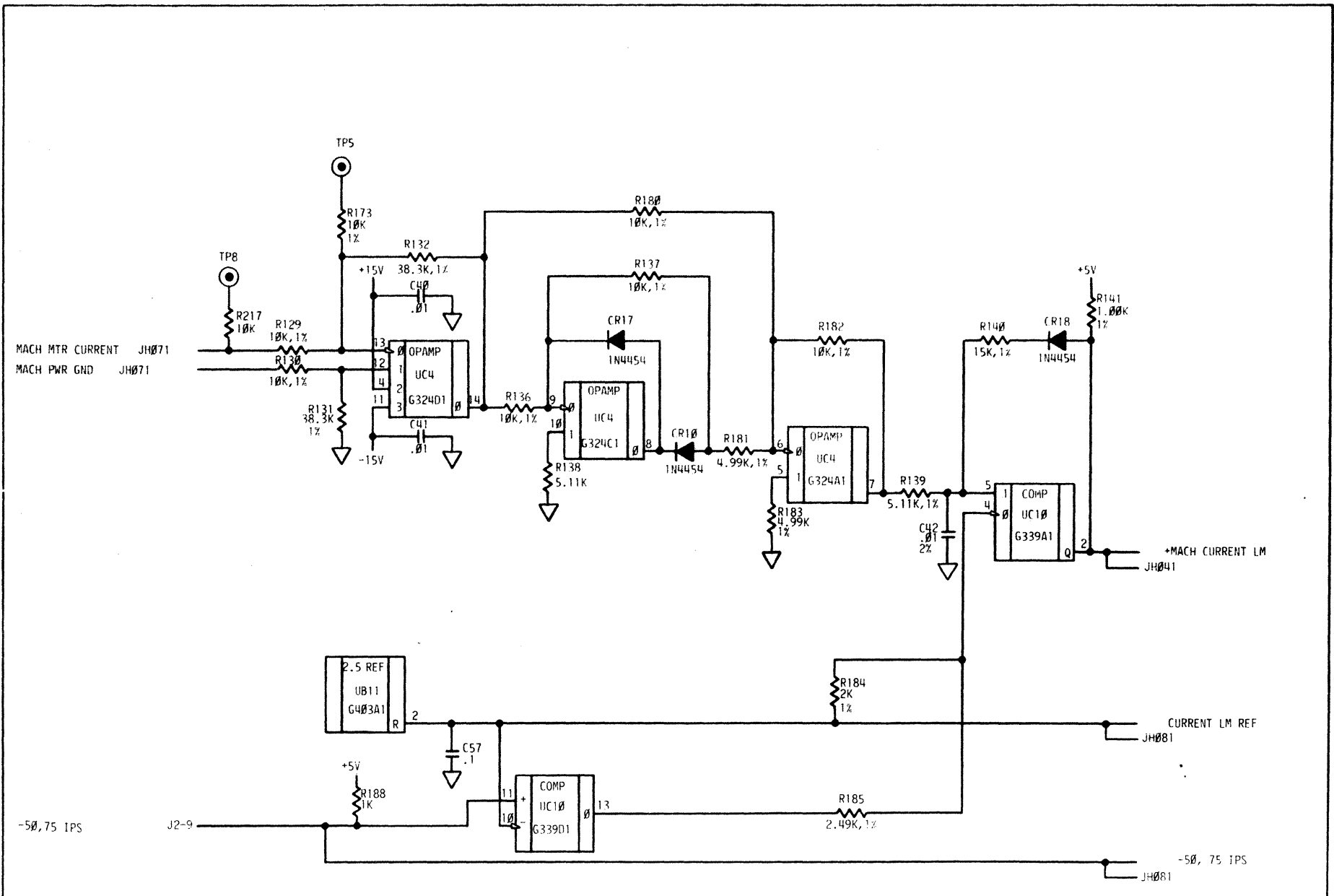
JH081

NOTES:
1.
2.

UNLESS OTHERWISE SPECIFIED
ALL CAPACITOR VALUES ARE IN μ F.
ALL RESISTOR VALUES ARE IN OHMS, 1/4W 5%, AND 1% RESISTORS ARE 1/8W.

3. ∇ DENOTES LOW POWER GROUND.

PRES. E.C. 54517P		MACH. 1950		CD LOC. GATE FRAME		CD P.N. JH		JH	
PREV. E.C. NONE		VERS. GBL. ROT.				CD TYPE JH		8	
DATE 6-28-82						PG. PN 4023350-01		1	



NOTES: UNLESS OTHERWISE SPECIFIED

1. ALL CAPACITOR VALUES ARE IN μ F.
2. ALL RESISTOR VALUES ARE IN OHMS, 1/4W, 5%, AND 1% RESISTORS ARE 1/8W.

3. ∇ DENOTES LOW POWER GROUND.

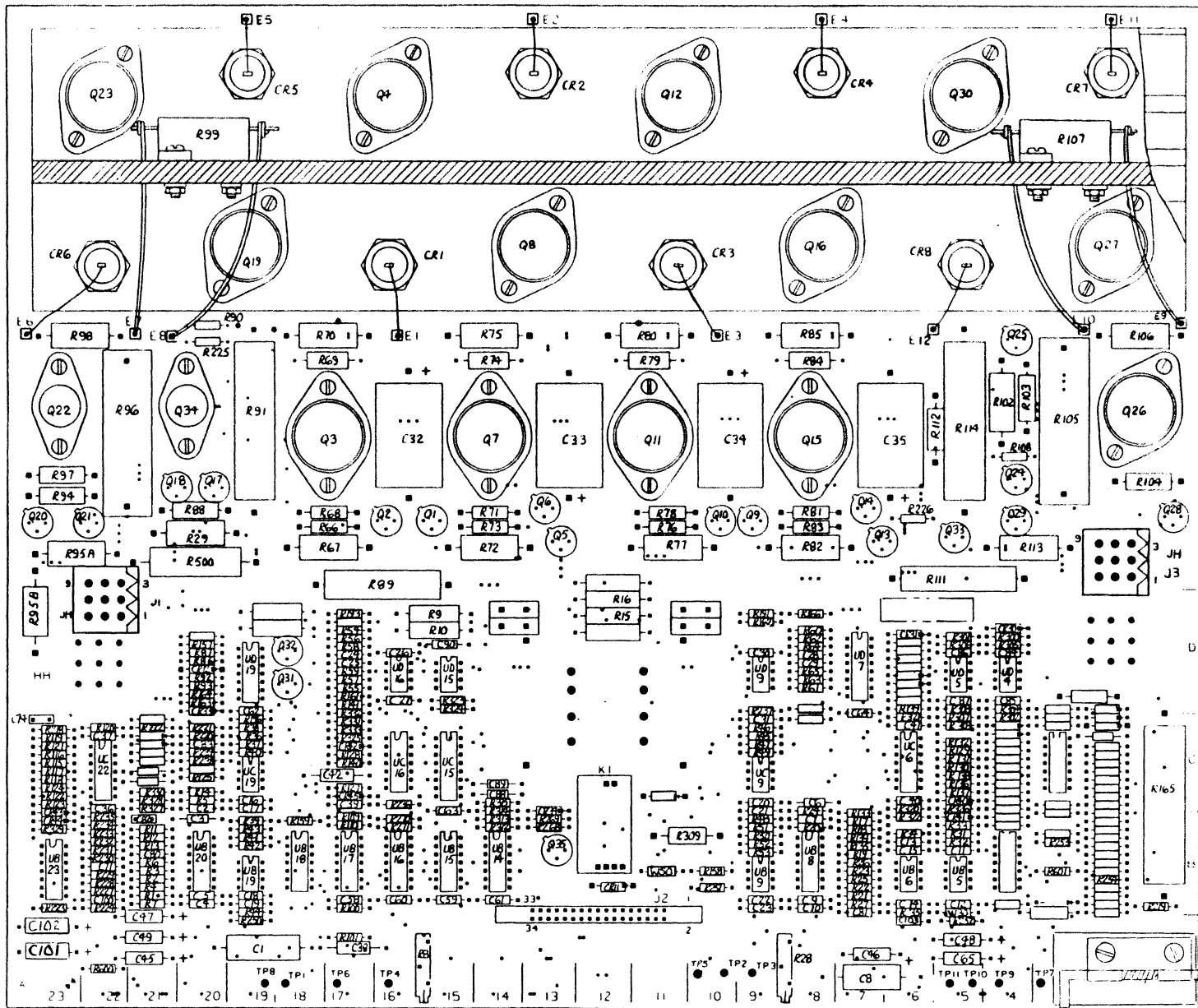
		MACH CURRENT LIMIT			
PRE. E.C.	54517P	MACH.	1950	CD. LOC.	
PREV. E.C.	NONE	VERS.		GATE	
DATE	6-28-82	GBL. ROT.		FRAME	
			CD. P.N.	JH	
			CD. TYPE	JH	
			PG. PN.	4023351-01	

ASSEMBLY PARTS LIST

BUILD ARC 001

PRINT DATE	PAGE	E.C. NO.
10-18-82	1	128

DIV.	ASSEMBLY NUMBER	CD	REV.	DWG.	DESCRIPTION	MC	STATUS	STATUS DATE	FILE DATE				
0500	401662002	5	B	N	SYS LGC GP., JH, 401689202, PC	N	REL	10-07-82	1950 10-14-82				
T FIND NO	LI	PART NUMBER	CD	QTY	U/M	PART DESCRIPTION	MC	YLD	E.C. NO. IN	E.C. NO. OUT	S/N	WK IN	WK OUT
000	01	401674502	0	REF	PC	CD LGC, JH, A8001, PC	D						
005	01	401676102	7	REF	PC	SYS LGC, JH005, PC	D						
011	01	401676202	5	REF	PC	SYS LGC, JH011, PC	D						
021	01	401676301	5	REF	PC	SYS LGC, JH021, PC	D						
031	01	401676401	3	REF	PC	SYS LGC, JH031, PC	D						
032	01	401676501	0	REF	PC	SYS LGC, JH032, PC	D						
033	01	401676602	6	REF	PC	SYS LGC, JH033, PC	D						
041	01	401676701	6	REF	PC	SYS LGC, JH041, PC	D						
051	01	401676801	4	REF	PC	SYS LGC, JH051, PC	D						
061	01	401676902	0	REF	PC	SYS LGC, JH061, PC	D						
071	01	401663001	6	REF	PC	SYS LGC, JH071, PC	D						
081	01	401677001	0	REF	PC	SYS LGC, JH081, PC	D						
110	01	401677101	8	REF	PC	SYS LGC, JH110, PC	D						
500	01	401689202	0	REF	PC	CKT CD, JH, PC ASSY	S						
						0014 TOTAL LINES							



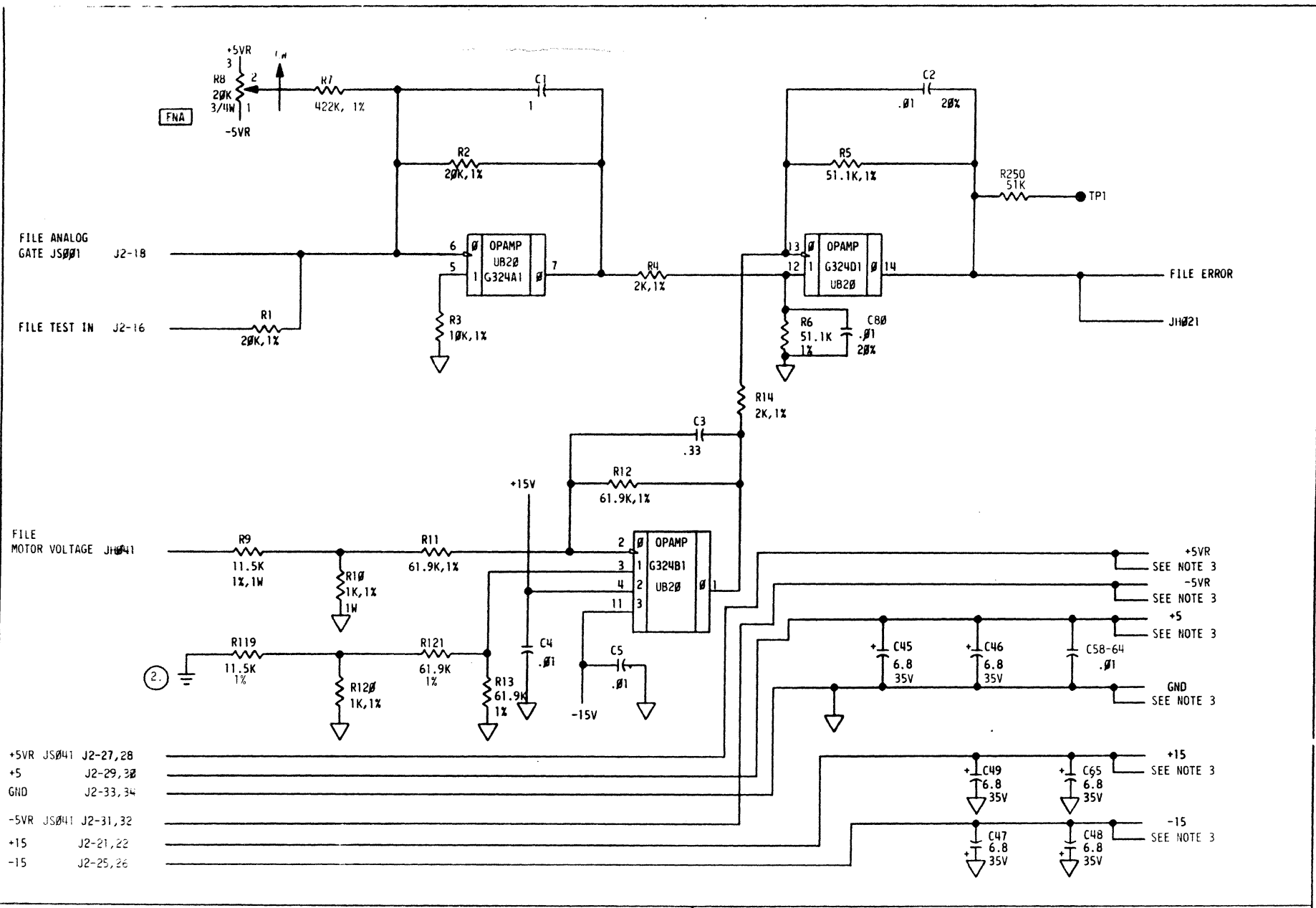
JH CARD, REEL POWER AMPLIFIER

PRES. E.C. 44828
 PREV. E.C. 54517
 DATE 10-15-82

MACH. VERS.
 GBL. ROT.

CD. LOC.
 GATE FRAME

CD. P.N. 4716092-02
 CD. TYPE III
 PG. P.N. 4016745-02



FILE ANALOG GATE JS001 J2-18

FILE TEST IN J2-16

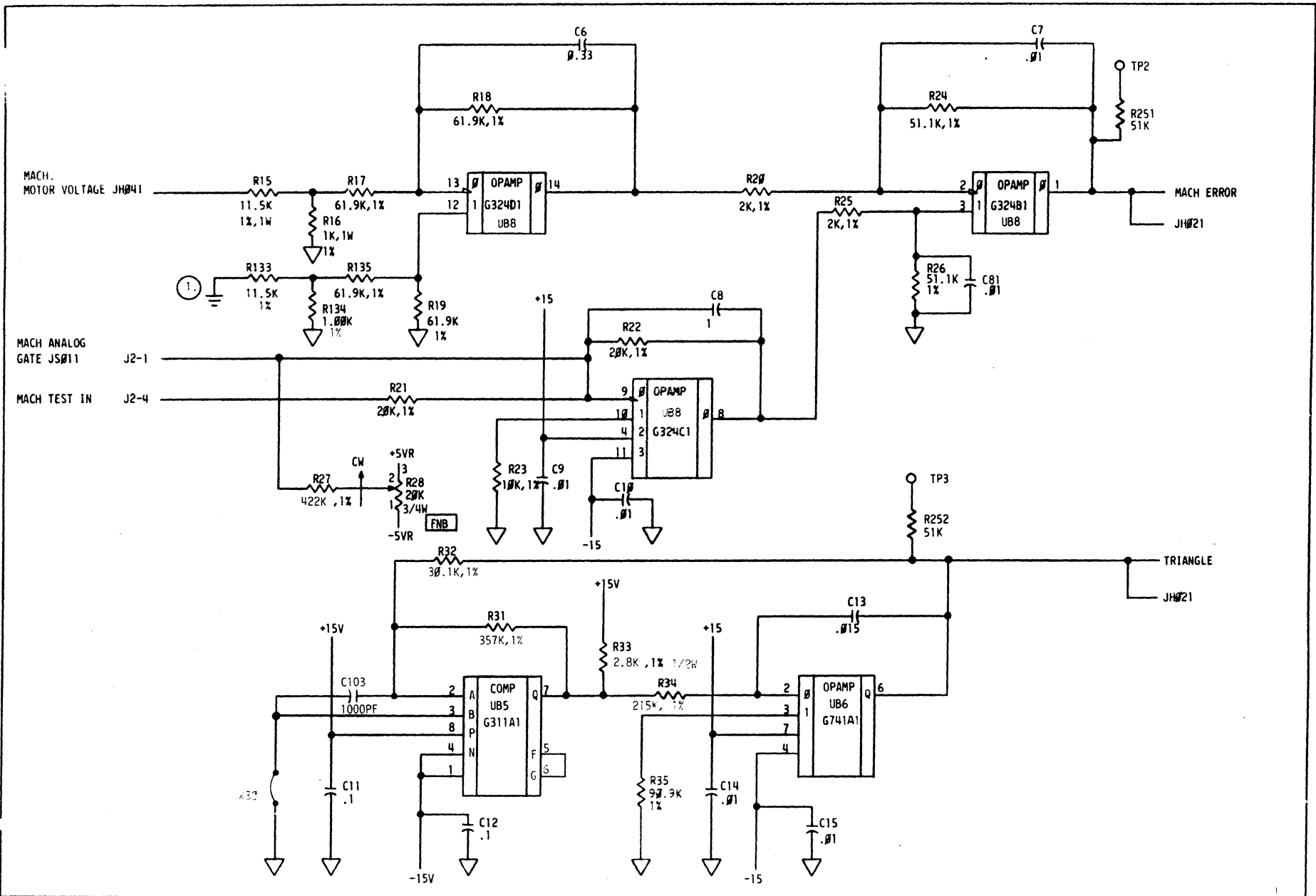
FILE MOTOR VOLTAGE JH041

+5V JS041 J2-27,28
 +5 J2-29,30
 GND J2-33,34
 -5V JS041 J2-31,32
 +15 J2-21,22
 -15 J2-25,26

- NOTES: UNLESS OTHERWISE SPECIFIED
1. ALL CAPACITOR VALUES IN μ F.
 2. ALL RESISTOR VALUES ARE IN OHMS, 1/4 W, 5%, AND 1% RESISTORS ARE 1/2 W.
 3. THESE DENOTE INTERNAL VOLTAGE AND GROUND CIRCUITS.

(2) SEE JH051

		FILE REEL ERROR	
PRES. E.C. PREV. E.C. DATE	44828 54517 10-15-82	MACH. VERS. GBL. ROT.	CD. LOC. GATE FRAME
		CD. P.N. CD. TYPE JH PG. P.N. 4016761-02	5



- NOTES: UNLESS OTHERWISE SPECIFIED
1. ALL CAPACITOR VALUES ARE IN μF .
 2. ALL RESISTOR VALUES ARE IN OHMS, 1/4W, 5%, AND 1% RESISTORS ARE 1/4W.

①. SEE JH261

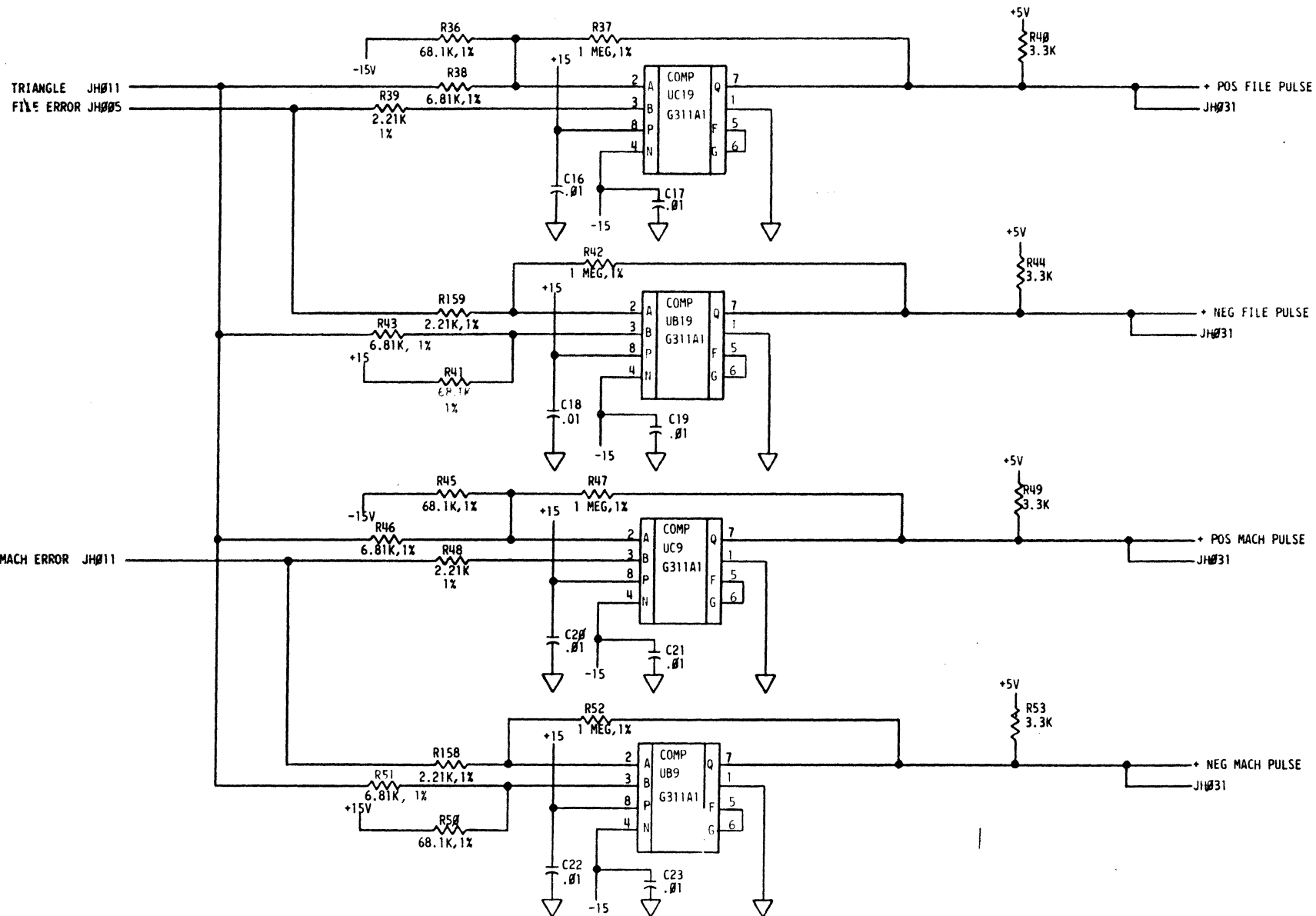
MACHINE REEL ERROR AND TRIANGLE GENERATOR

PREV. E.C. 44828
 PREV. E.C. 54517
 DATE 10 15 82

MACH. VERS. GBL. ROT.

CD. LOC. GATE FRAME

CD. P.N. JH
 CD. TYPE JH
 PG. PN. 4016762-02



NOTES: UNLESS OTHERWISE SPECIFIED

1. ALL CAPACITOR VALUES ARE IN μ F.
2. ALL RESISTOR VALUES ARE IN OHMS, 1/4W, 5% AND 1% RESISTORS ARE 1/4W.

PULSE AMPLIFIER

PRES. E.C. 54517
 PREV. E.C. NONE
 DATE 6-1-62

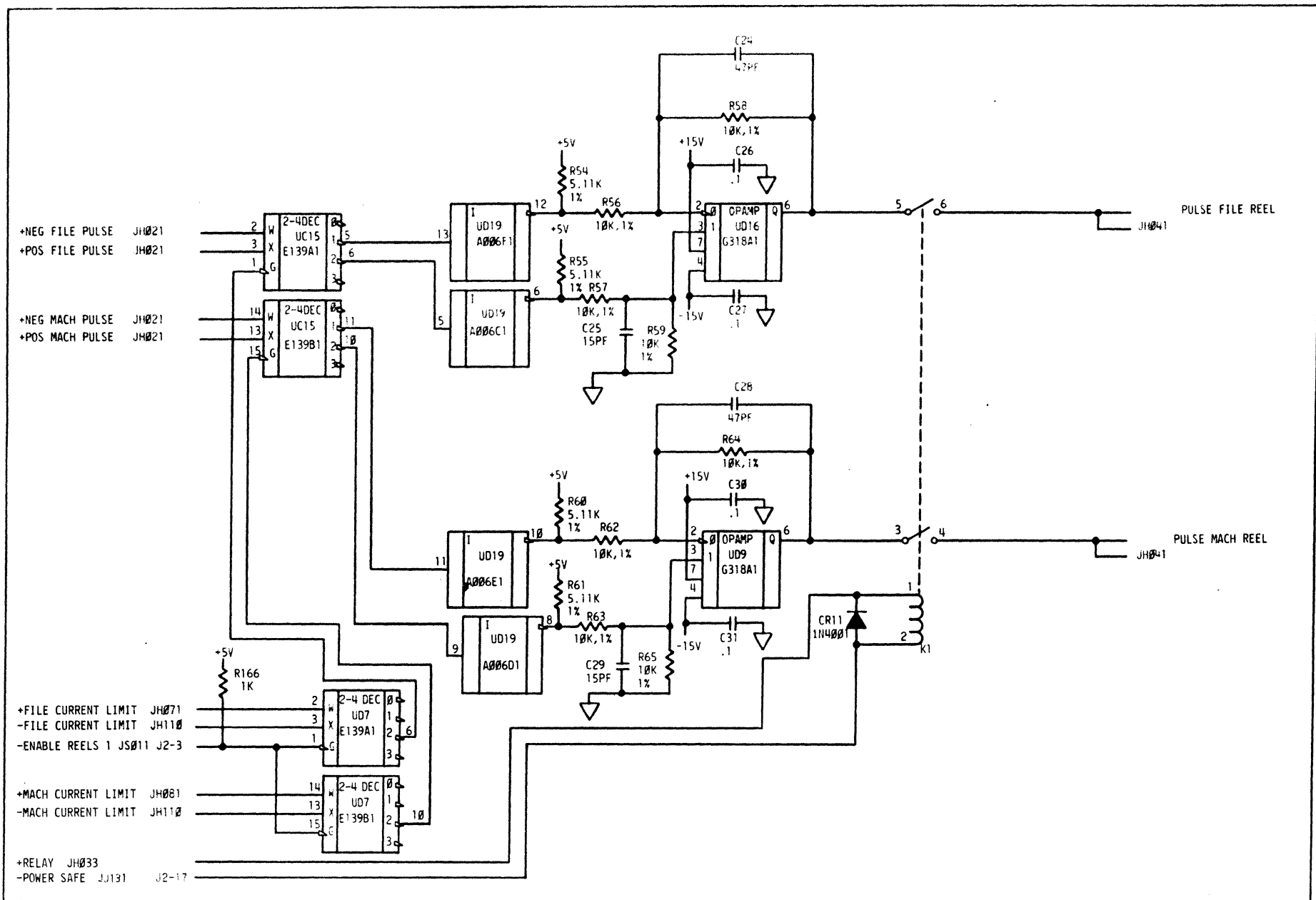
MACH. VERS. GBL. ROT.

CD. LOC. GATE FRAME

CD. P.N. JH
 CD. TYPE JH
 PG. P.N. 4016763-01

JH021

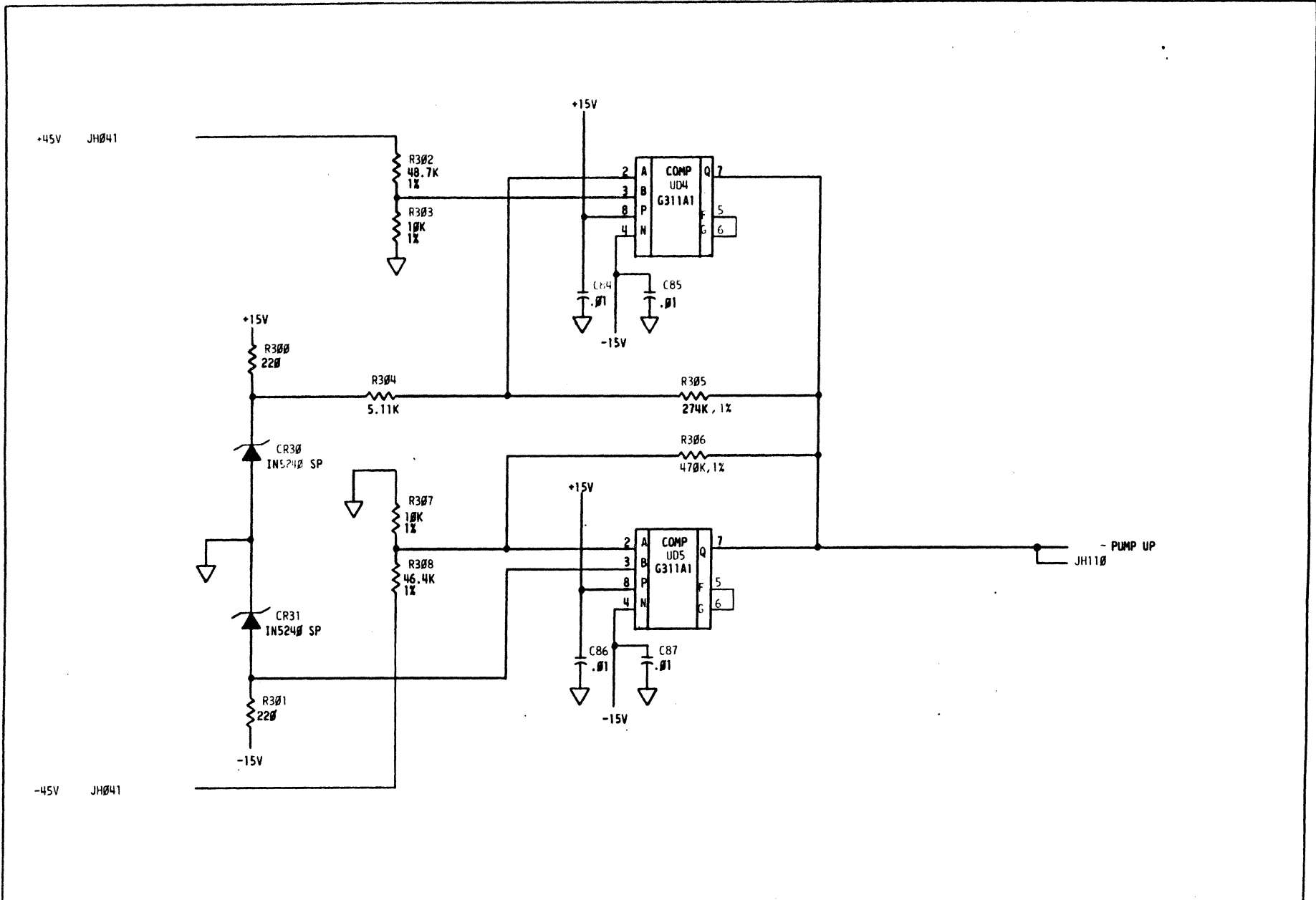
JH021



+NEG FILE PULSE JH021
 +POS FILE PULSE JH021
 +NEG MACH PULSE JH021
 +POS MACH PULSE JH021
 +FILE CURRENT LIMIT JH071
 -FILE CURRENT LIMIT JH110
 -ENABLE REELS 1 JS011 J2-3
 +MACH CURRENT LIMIT JH081
 -MACH CURRENT LIMIT JH110
 +RELAY JH033
 -POWER SAFE JU131 J2-17

NOTES: (UNLESS OTHERWISE SPECIFIED)
 1. ALL CAPACITOR VALUES ARE IN μ F.
 2. ALL RESISTOR VALUES ARE IN OHMS.
 3. ALL RESISTORS ARE 1/4W, CC, 5%.

PULSE CONTROL			
PRES. E.C. 54517 PREV. E.C. NONE DATE 6-1-80	MACH. VERS. GBL. ROT.	CD. LOC. GATE FRAME	CD. P.N. CD. TYPE JH PG. P.N. 4016764 01

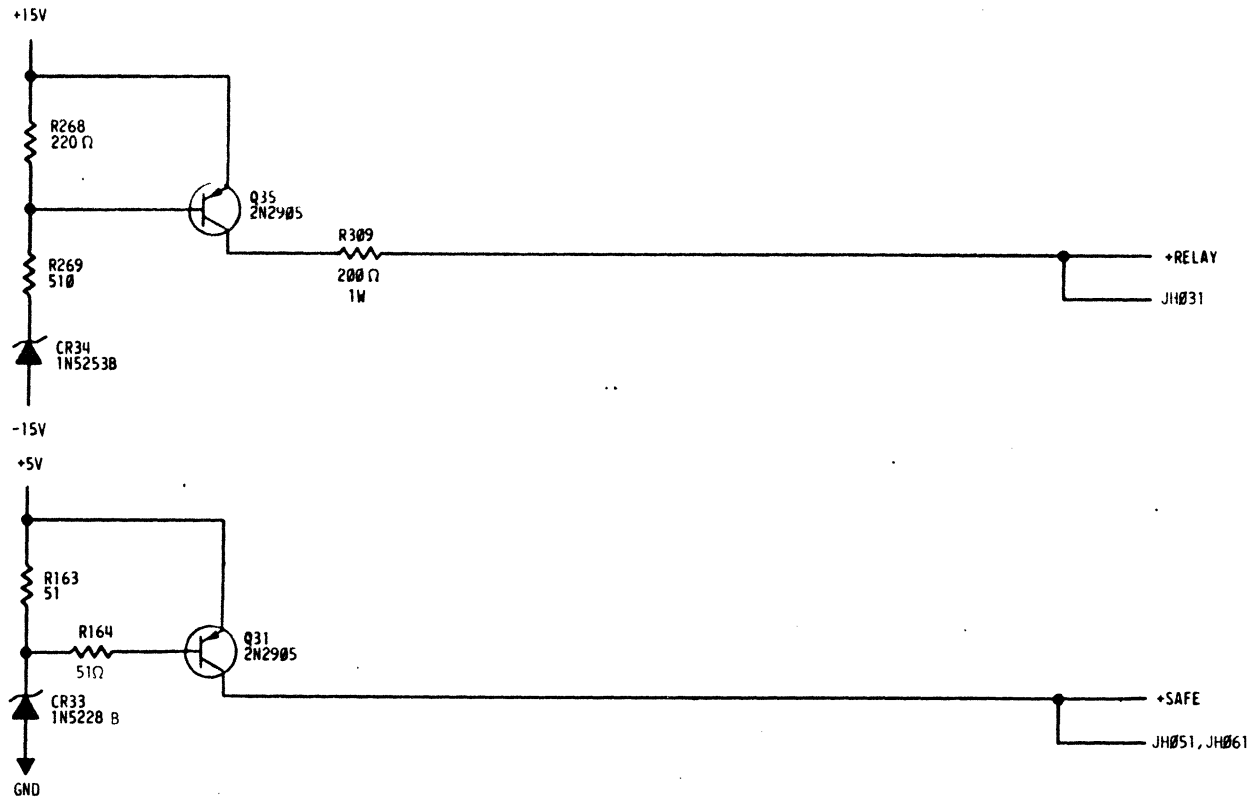


NOTES:
 1. UNLESS OTHERWISE SPECIFIED ALL CAPACITOR VALUES ARE IN μ F.
 2. ALL RESISTOR VALUES ARE IN OHMS, 1/4W, 5% AND 1% RESISTORS ARE 1/2W.

PUMP UP DETECT			
PRES. E.C. 54517 PREV. E.C. NONE DATE 6-1-65	MACH. VERS. 00L. ROT.	CD. LOC. GATE FRAME	CD. P.N. JH PG. P.N. 4016765 01

JH032

JH032



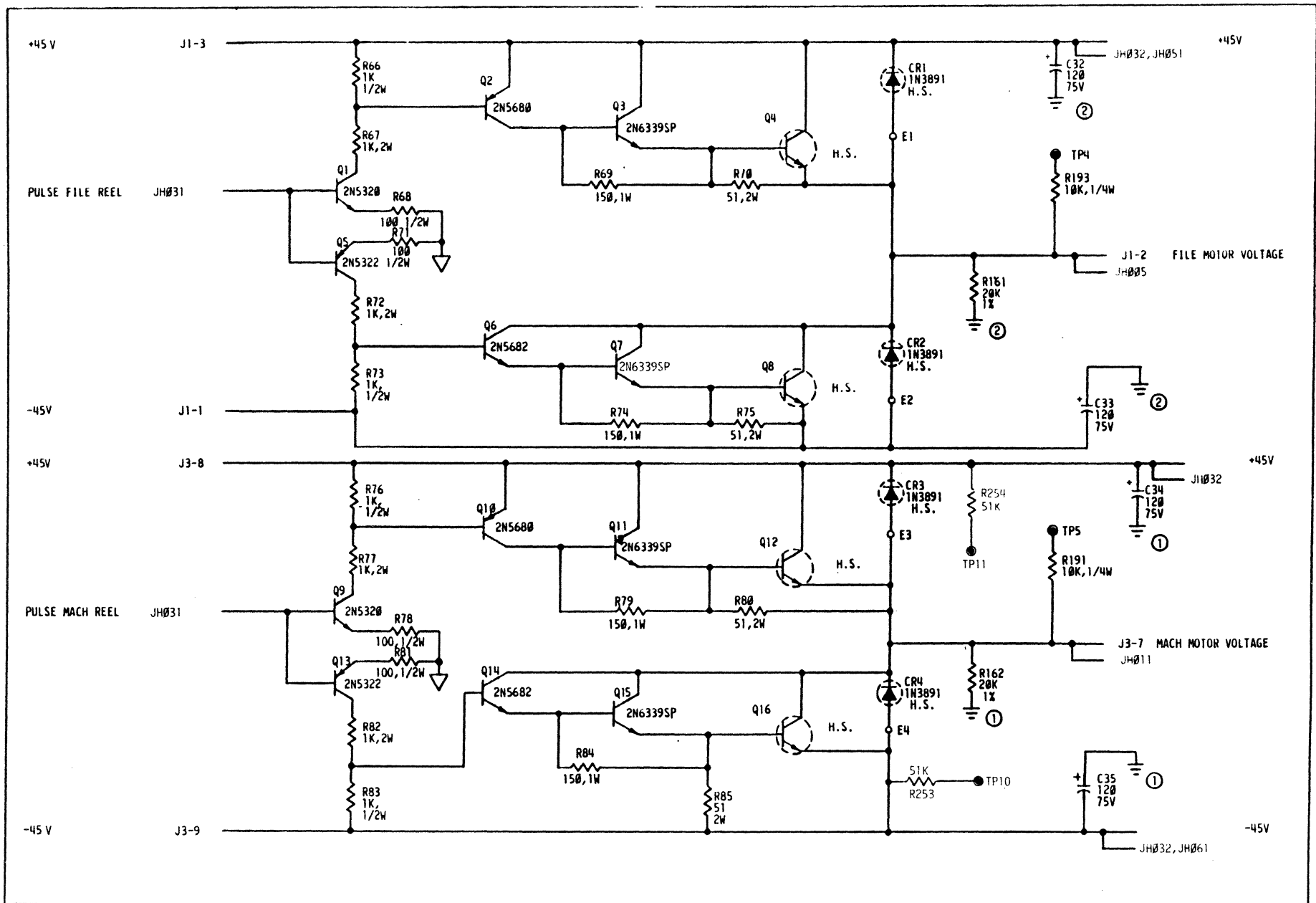
NOTES: (UNLESS OTHERWISE SPECIFIED)

1. ALL CAPACITOR VALUES ARE IN μ F.
2. ALL RESISTOR VALUES ARE IN OHMS.
3. ALL RESISTORS ARE 1/4W, CC, 5%.

J
H
0
3
3

PRE. E.C. 44828 PREV. E.C. 54517 DATE 10-15-82	MACH. VERS. SBL. ROT.	CD. LOC. GATE FRAME	CD. P.N.	JH PG. P.N. 4016766-02
			CD. TYPE	

J
H
0
3
3



NOTES: (UNLESS OTHERWISE SPECIFIED)

1. ALL CAPACITOR VALUES ARE IN μ F.
2. ALL RESISTOR VALUES ARE IN OHMS.
3. ALL RESISTORS ARE 1/4W, CC, 5%.

② SEE JH051

① SEE JH061



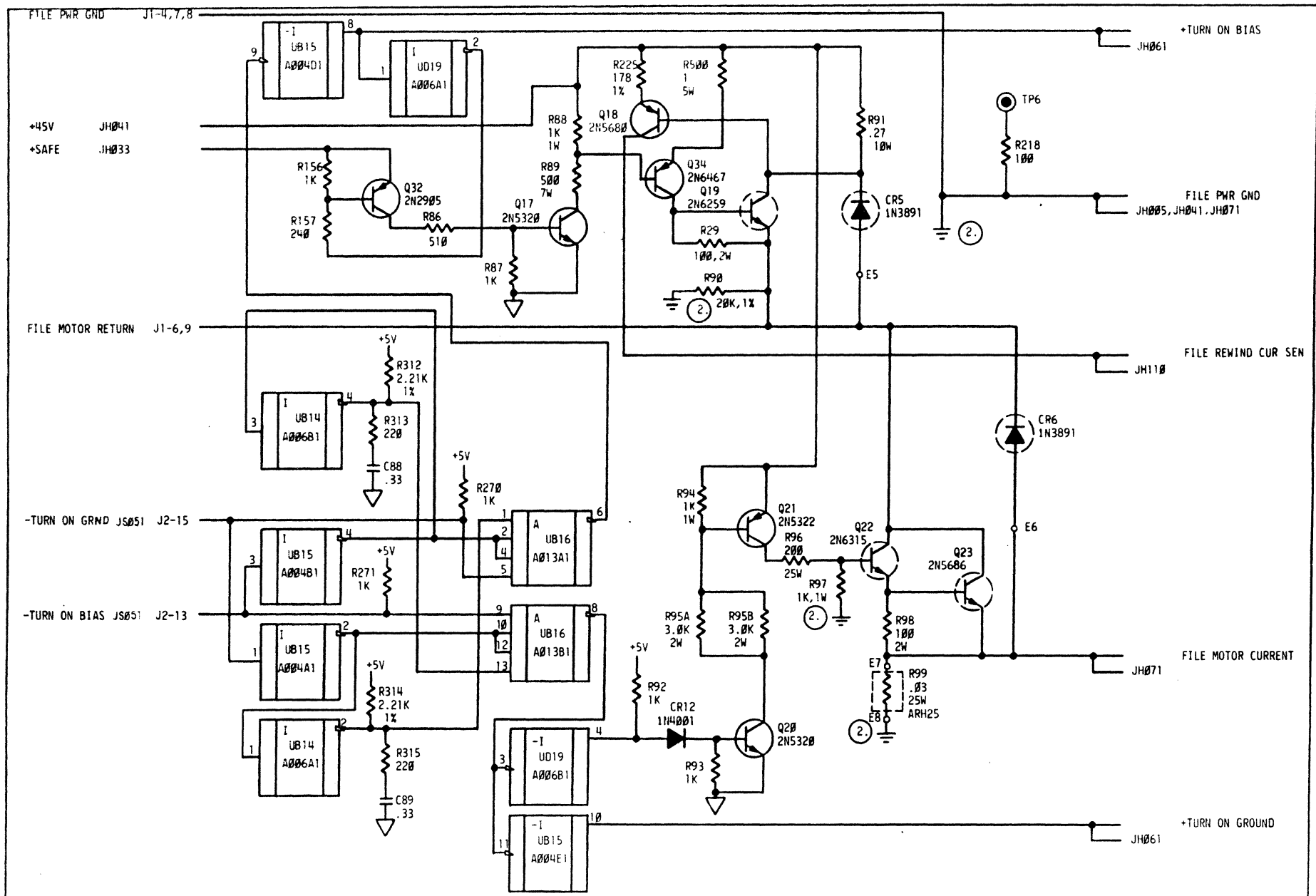
FILE AND MACHINE MOTOR VOLTAGES

PRES. E.C. 54517
 PREV. E.C. NONE
 DATE 6-1-62

MACH. VERS.
 GBL. ROT.

CD. LOC.
 GATE FRAME

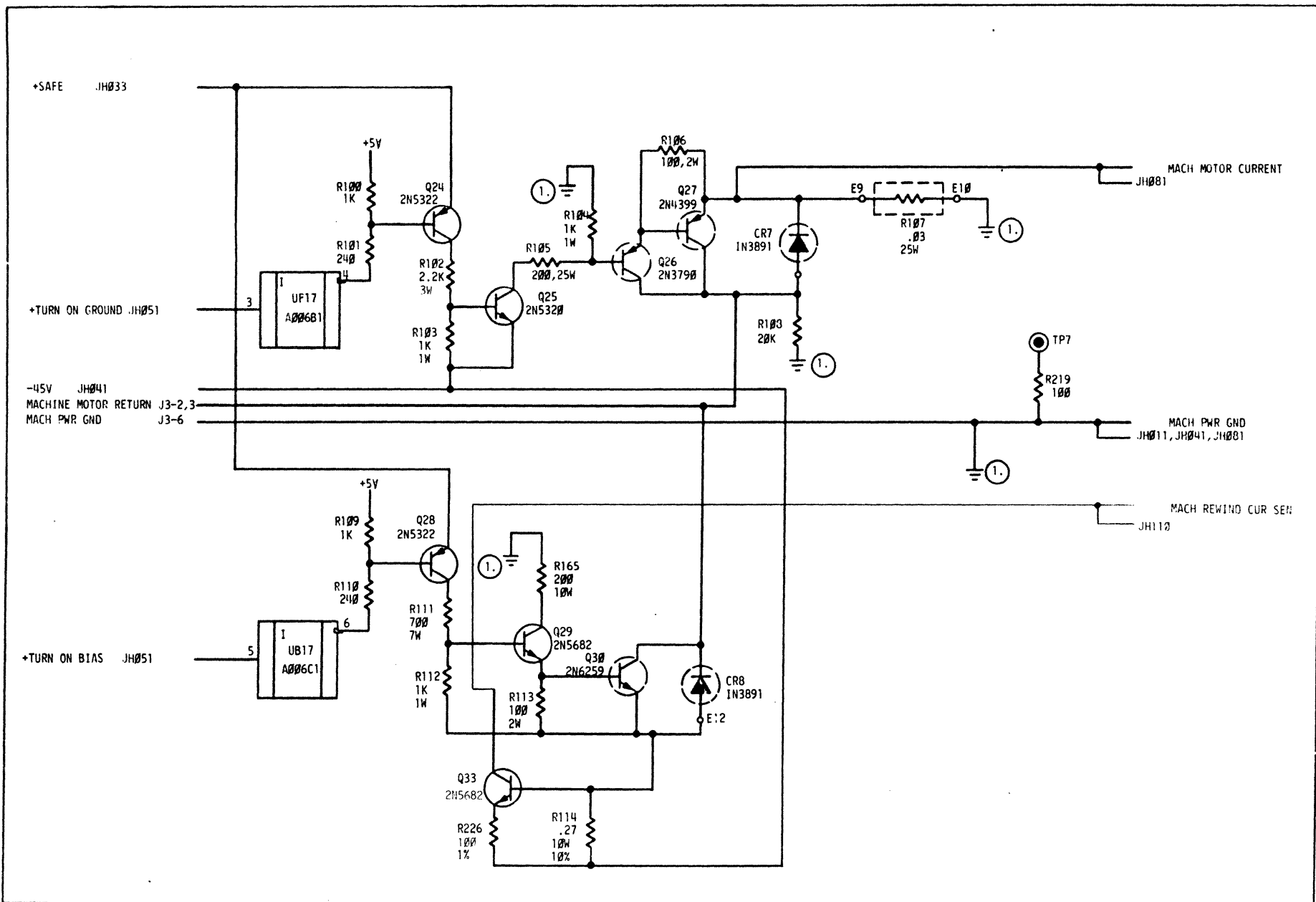
CD. P.N. JH
 CD. TYPE 4016767-01
 PG. P.N. 4016767-01



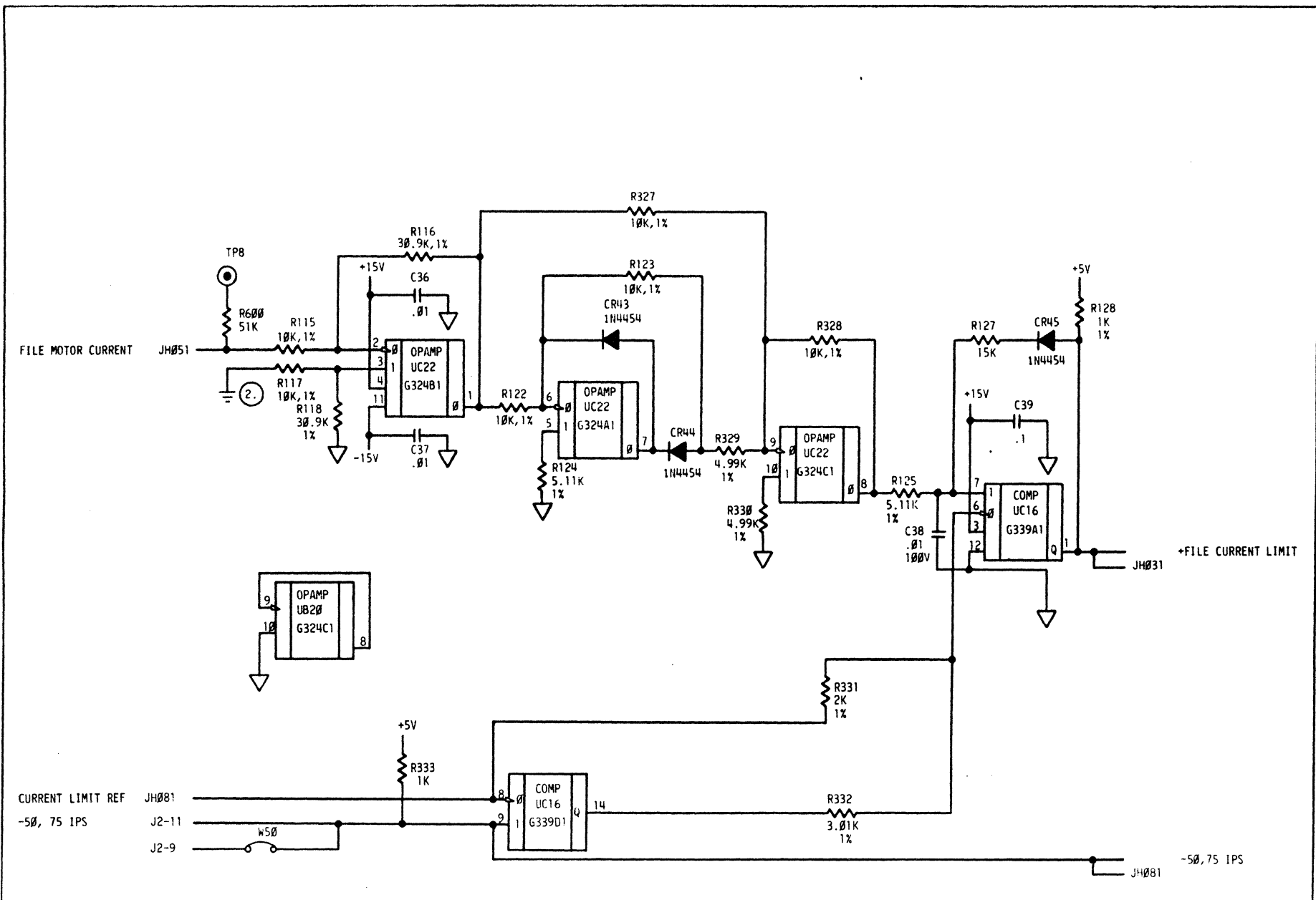
- NOTES: (UNLESS OTHERWISE SPECIFIED)
1. ALL CAPACITOR VALUES ARE IN μ F.
 2. ALL RESISTOR VALUES ARE IN OHMS.
 3. RESISTORS ARE 1/4W, 5% OR 1/8W, 1%.
 4. COMPONENTS WITH DOTTED LINES ARE MOUNTED ON HEAT SINK.

(2) DEFINITION OF FILE PWR GND.

FILE REEL REWIND VOLTAGE SWITCH		CD. LOC. GATE FRAME	CD. P.N. CD. TYPE JH PG. P.N. 4016768-01
PRES. E.C. 54517 PREV. E.C. NONE DATE 6-1-52	MACH. VERS. GBL. ROT.	CD. LOC. GATE FRAME	CD. P.N. CD. TYPE JH PG. P.N. 4016768-01



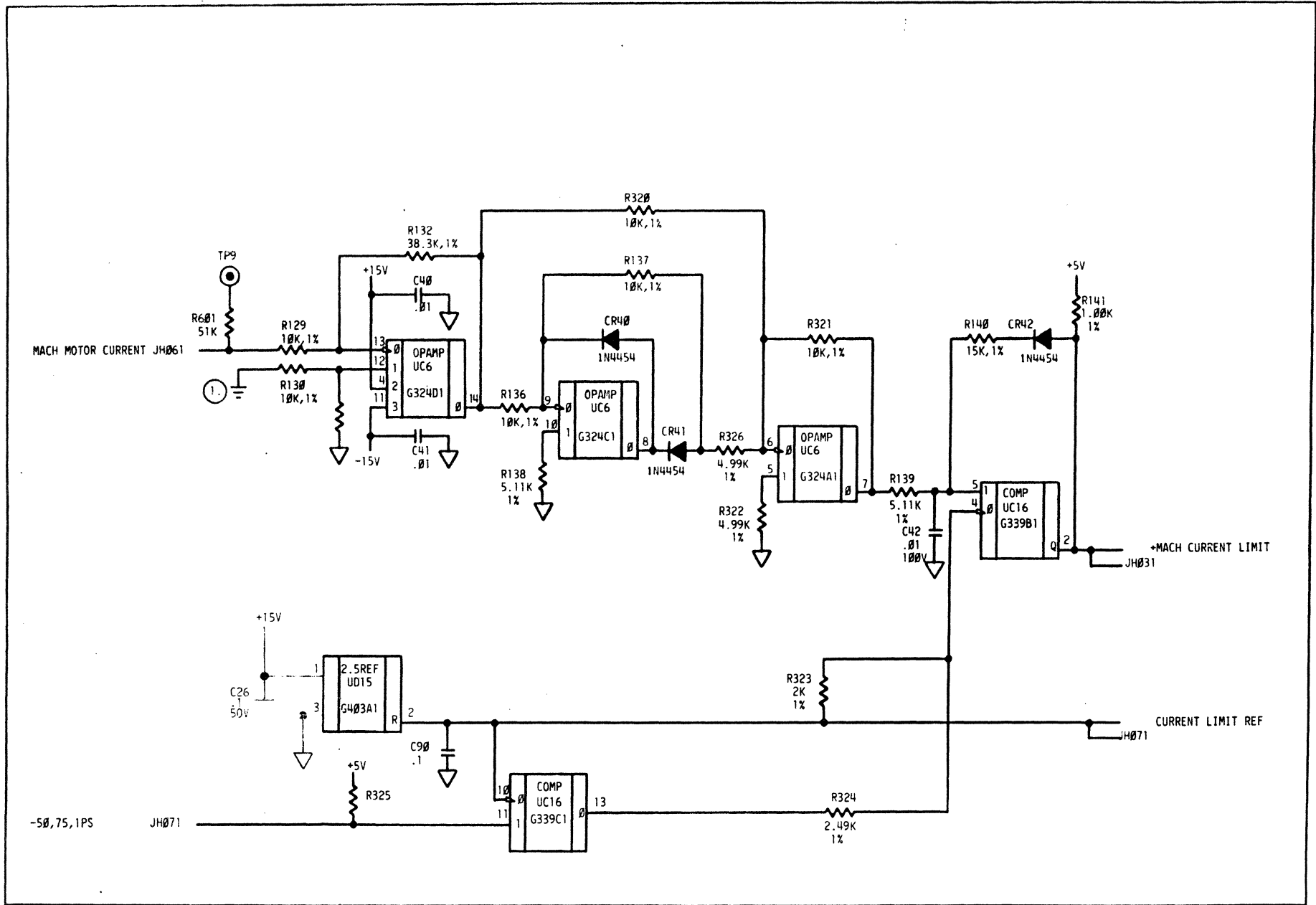
J H 0 6 1	NOTES: (UNLESS OTHERWISE SPECIFIED)	(1) DEFINITION OF MACH PWR GND.	MACHINE REEL REWIND VOLTAGE SWITCH				J H 0 6 1
	1. ALL CAPACITOR VALUES ARE IN μ F. 2. ALL RESISTOR VALUES ARE IN OHMS. 3. ALL RESISTORS ARE 1/4W, CC, 5%.		PRES. E.C. 44828 PREV. E.C. 54517 DATE 10-15-82	MACH. VERS. GBL. ROT.	CD. LOC. GATE FRAME	CD. P.N. CD. TYPE JH PG. P.N. 4016769-02	



- NOTES: (UNLESS OTHERWISE SPECIFIED)
1. ALL CAPACITOR VALUES ARE IN μ F.
 2. ALL RESISTOR VALUES ARE IN OHMS.
 3. ALL RESISTORS ARE 1/4W, CC, 5%.

(2) SEE JH051

J H 0 7 1	FILE CURRENT LIMIT				J H 0 7 1
	PRES. E.C. 54517 PREV. E.C. NONE DATE 6-1-82	MACH. VRS. GBL. ROT.	CD. LOC. GATE FRAME	CD. R.N. CD. TYPE JH PG. P.N. 4016630 01	
	GAF Polytrace 033				



- NOTES: (UNLESS OTHERWISE SPECIFIED)
1. ALL CAPACITOR VALUES ARE IN μ F.
 2. ALL RESISTOR VALUES ARE IN OHMS.
 3. ALL RESISTORS ARE 1/4W,CC,5%

①. SEE JH061

MACH CURRENT LIMIT1

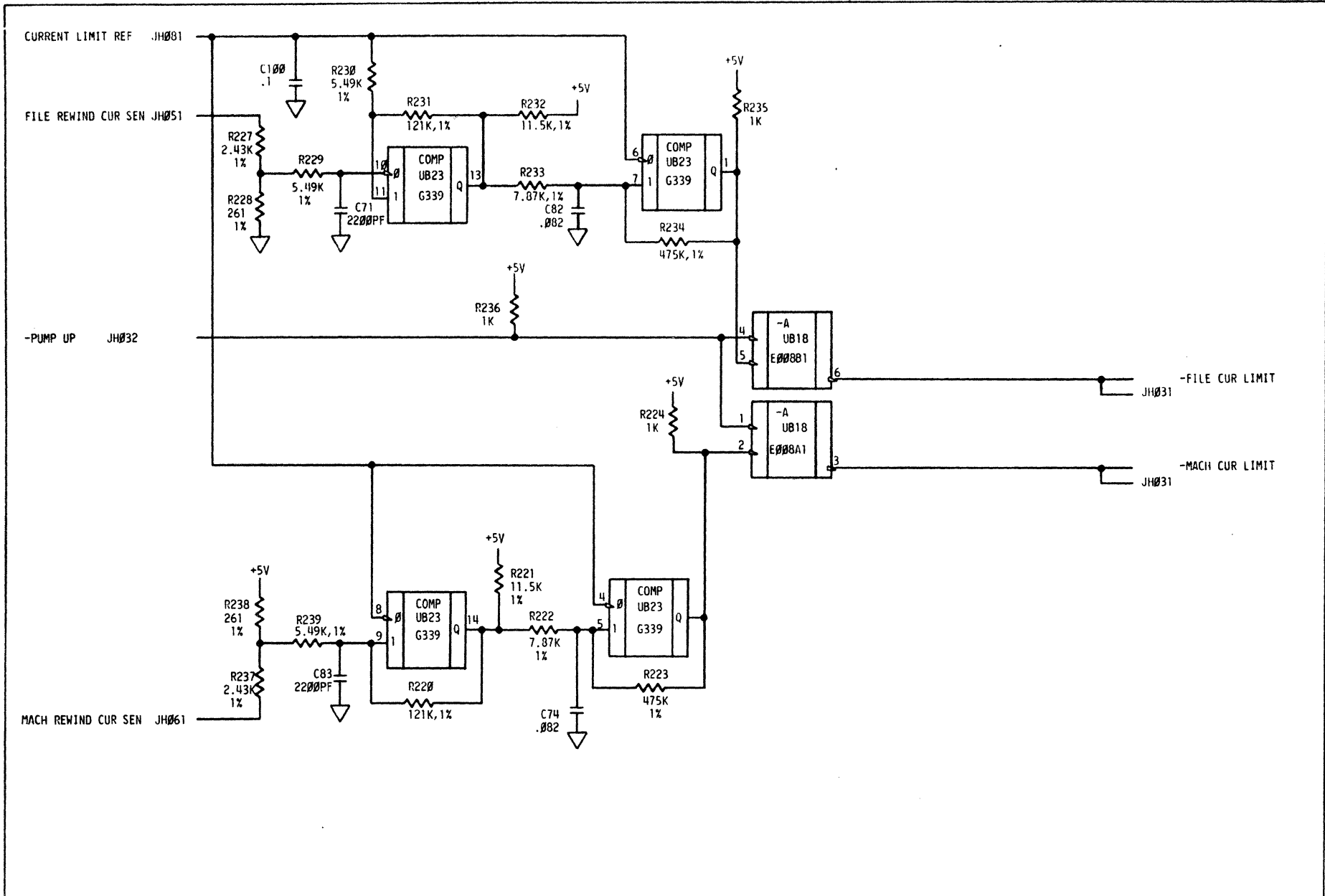
PRES. E.C. 54517
 PREV. E.C. NONE
 DATE 6-1-82

MACH. VERS.
 GBL. ROT.

CD. LOC.
 GATE
 FRAME

CD. RN. JH
 CD. TYPE 4016770-01
 PG. RN. 4016770-01

JH081



NOTES: (UNLESS OTHERWISE SPECIFIED)
 1. ALL CAPACITOR VALUES ARE IN μ F.
 2. ALL RESISTOR VALUES ARE IN OHMS.
 3. ALL RESISTORS ARE 1/4W, CC, 5%.

REWIND CURRENT LIMIT			
PRES. E.C.	54517	MACH. VERS.	
PREV. E.C.	NONE	GBL. ROT.	
DATE	6-1-82	CD. LOC. GATE FRAME	
		CD. P.N. JH	
		PG. P.N. 4016771-01	

JH
1
1
0

JH
1
1
0



TECHNOLOGY CORP.

ASSEMBLY PARTS LIST

BOULEVARD
DOW

PRINT DATE	PAGE	E.C. NO
10-20-82	1	110

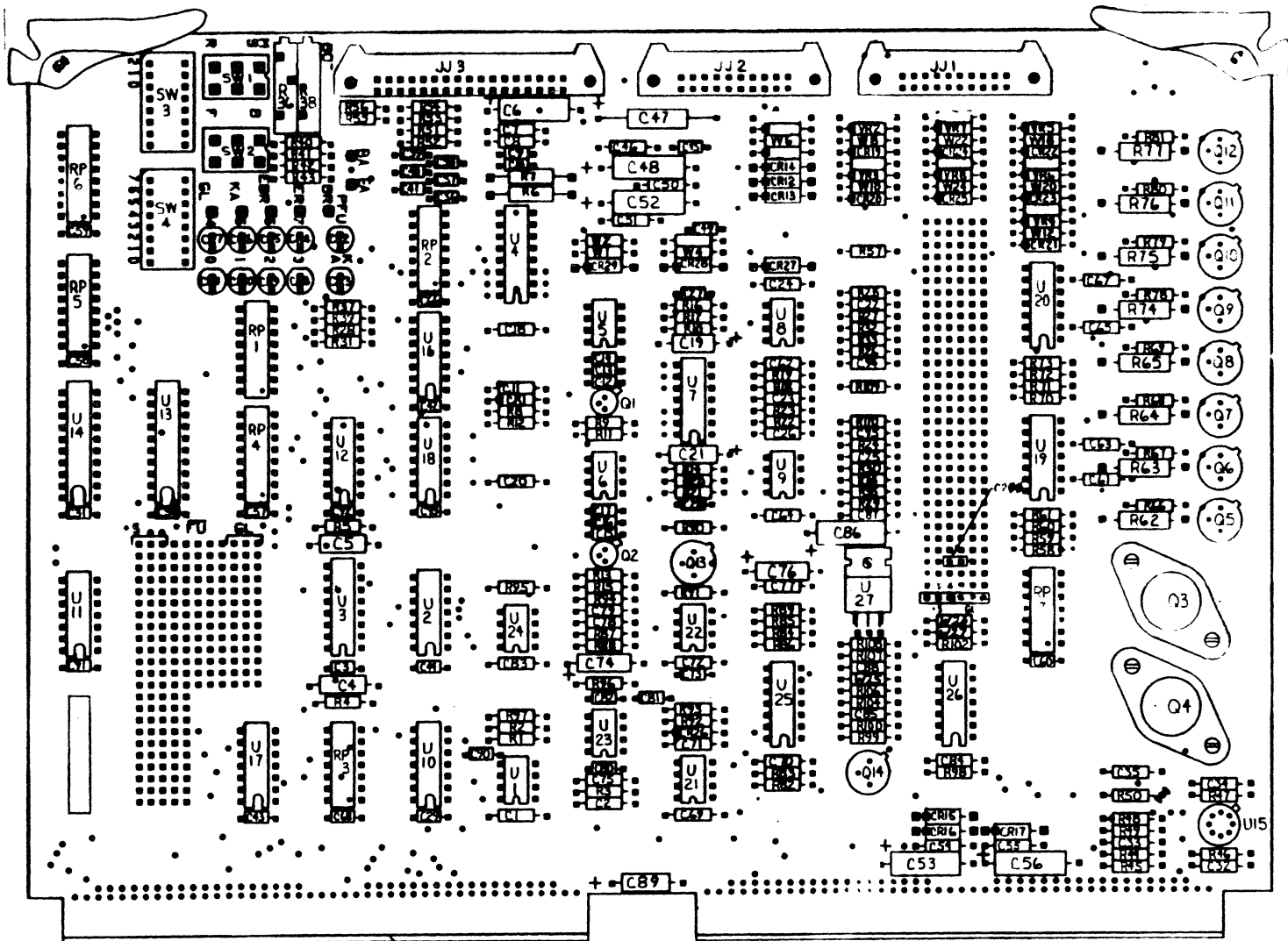
DIV	ASSEMBLY NUMBER	CD	REV.	DWG.	DESCRIPTION	MC	STATUS	STATUS DATE	FILE DATE					
0500	401594901	1	E	N	SYS LGC GP, JJ, 43104307, PC	N	REL	07-30-82	1950 08-10-82					
T FIND NO	LI	PART NUMBER	CD	M	QUANTITY	U/M	PART DESCRIPTION	MC	YLD	E.C. NO. IN	E.C. NO. OUT	S N	WK IN	WK OUT
000	01	401595001	9		REF	PC	SYS LGC, JJ, AB001, PC	D						
001	01	43505009	1		REF	PC	SYS LGC, JJ001, PC	D			44628			8144
001	02	401647801	0		REF	PC	SYS LGC, JJ001, PC	D		44628	44795		8144	8231
001	03	401647802	8		REF	PC	SYS LGC, JJ001, PC	D		44795	44810		8231	8236
001	04	401647803	6		REF	PC	SYS LGC, JJ001, PC	D		44810			8236	
011	01	43505038	0		REF	PC	SYS LGC, JJ011 PC	D			44628			8144
011	02	401647901	8		REF	PC	SYS LGC, JJ011, PC	D		44628	44795		8144	8231
011	03	401647902	6		REF	PC	SYS LGC, JJ011, PC	D		44795	44810		8231	8236
011	04	401647903	4		REF	PC	SYS LGC, JJ011, PC	D		44810			8236	
015	01	401648001	6		REF	PC	SYS LGC, JJ015, PC	D		44628	44795		8144	8231
015	02	401648002	4		REF	PC	SYS LGC, JJ015, PC	D		44795			8231	
021	01	43505029	9		REF	PC	SYS LGC, JJ021, PC	D			44628			8144
021	02	401648101	4		REF	PC	SYS LGC, JJ021, PC	D		44628	44717		8144	8218
021	03	401648102	2		REF	PC	SYS LGC, JJ021, PC	D		44717	44795		8218	8231
021	04	401648103	0		REF	PC	SYS LGC, JJ021, PC	D		44795			8231	
025	01	401648201	2		REF	PC	SYS LGC, JJ025, PC	D		44628	44795		8144	8231
025	02	401648202	0		REF	PC	SYS LGC, JJ025, PC	D		44795			8231	
031	01	43505039	8		REF	PC	SYS LGC, JJ031 PC	D			44628			8144
031	02	401648301	0		REF	PC	SYS LGC, JJ031, PC	D		44628	44795		8144	8231
031	03	401648302	8		REF	PC	SYS LGC, JJ031, PC	D		44795			8231	
041	01	43505026	5		REF	PC	SYS LGC, JJ041, PC	D			44628			8144
041	02	401648401	8		REF	PC	SYS LGC, JJ041, PC	D		44628	44795		8144	8231
041	03	401648402	6		REF	PC	SYS LGC, JJ041, PC	D		44795			8231	
051	01	43505044	8		REF	PC	SYS LGC, JJ051, PC	D			44628			8144
051	02	401648501	5		REF	PC	SYS LGC, JJ051, PC	D		44628	44717		8144	8218
051	03	401648502	3		REF	PC	SYS LGC, JJ051, PC	D		44717	44795		8218	8231
051	04	401648503	1		REF	PC	SYS LGC, JJ051, PC	D		44795			8231	
061	01	43505032	3		REF	PC	SYS LGC, JJ061, PC	D			44628			8144
061	02	401646901	9		REF	PC	SYS LGC, JJ061, PC	D		44628	44717		8144	8218
061	03	401646902	7		REF	PC	SYS LGC, JJ0618PC	D		44717	44795		8218	8231
061	04	401646903	5		REF	PC	SYS LGC, JJ061, PC	D		44795			8231	

ASSEMBLY PARTS LIST

BOULEVARD

PRINT DATE	PAGE	E.C. NO.
10-20-82	2	10

DIV	ASSEMBLY NUMBER	CD	REV.	DWG.	DESCRIPTION	MC	STATUS	STATUS DATE	FILE DATE					
0500	401594901	1	E	N	SYS LGC GP, JJ, 43104307, PC	N	REL	07-30-82	1950 08-10-82					
T FIND NO	LI	PART NUMBER	CD	M	QUANTITY	U/M	PART DESCRIPTION	MC	YLD	E.C. NO. IN	E.C. NO. OUT	S/N	WK IN	WK OUT
071	01	43505033	1		REF	PC	SYS LGC JJ071, PC	D			44628		8144	8144
071	02	401647001	7		REF	PC	SYS LGC, JJ071, PC	D		44628	44717		8144	8218
071	03	401647002	5		REF	PC	SYS LGC, JJ071, PC	D		44717	44795		8218	8231
071	04	401647003	3		REF	PC	SYS LGC, JJ071, PC	D		44795			8231	
081	01	43505017	4		REF	PC	SYS LGC JJ081, PC	D			44628			8144
081	02	401647101	5		REF	PC	SYS LGC, JJ081, PC	D		44628	44717		8144	8218
081	03	401647102	3		REF	PC	SYS LGC, JJ081, PC	D		44717	44795		8218	8231
081	04	401647103	1		REF	PC	SYS LGC, JJ081, PC	D		44795			8231	
091	01	43505018	2		REF	PC	SYS LGC, JJ091, PC	D			44628			8144
091	02	401647201	3		REF	PC	SYS LGC, JJ091, PC	D		44628	44717		8144	8218
091	03	401647202	1		REF	PC	SYS LGC, JJ091, PC	D		44717	44795		8218	8231
091	04	401647203	9		REF	PC	SYS LGC, JJ091, PC	D		44795			8231	
101	01	43505041	4		REF	PC	SYS LGC, JJ101, PC	D			44628			8144
101	02	401647301	1		REF	PC	SYS LGC, JJ101, PC	D		44628	44717		8144	8218
101	03	401647302	9		REF	PC	SYS LGC, JJ101, PC	D		44717	44795		8218	8231
101	04	401647303	7		REF	PC	SYS LGC, JJ101, PC	D		44795			8231	
111	01	43505034	9		REF	PC	SYS LGC, JJ111, PC	D			44628			8144
111	02	401647401	9		REF	PC	SYS LGC, JJ111, PC	D		44628	44717		8144	8218
111	03	401647402	7		REF	PC	SYS LGC, JJ111, PC	D		44717	44795		8218	8231
111	04	401647403	5		REF	PC	SYS LGC, JJ111, PC	D		44795			8231	
121	01	43505042	2		REF	PC	SYS LGC, JJ121, PC	D			44628			8144
121	02	401647501	6		REF	PC	SYS LGC, JJ121, PC	D		44628	44717		8144	8218
121	03	401647502	4		REF	PC	SYS LGC, JJ121, PC	D		44717	44795		8218	8231
121	04	401647503	2		REF	PC	SYS LGC, JJ121, PC	D		44795			8231	
131	01	401598701	1		REF	PC	SYS LGC, JJ131, PC	D			44628			8144
131	02	401647601	4		REF	PC	SYS LGC, JJ131, PC	D		44628	44795		8144	8231
131	03	401647602	2		REF	PC	SYS LGC, JJ131, PC	D		44795			8231	
141	01	43505023	2		REF	PC	SYS LGC, JJ141, PC	D			44628			8144
141	02	401647701	2		REF	PC	SYS LGC, JJ141, PC	D		44628	44717		8144	8218
141	03	401647702	0		REF	PC	SYS LGC, JJ141, PC	D		44717	44795		8218	8231
141	04	401647703	8		REF	PC	SYS LGC, JJ141, PC	D		44795			8231	
500	01	43104307	4		REF	PC	CKT CD, JJ, PC ASSEMBLY	S						



JJ CARD, BUFFER CARD

PRES. E.C. 44517
 PREV. E.C. 44352
 DATE 8-7-81

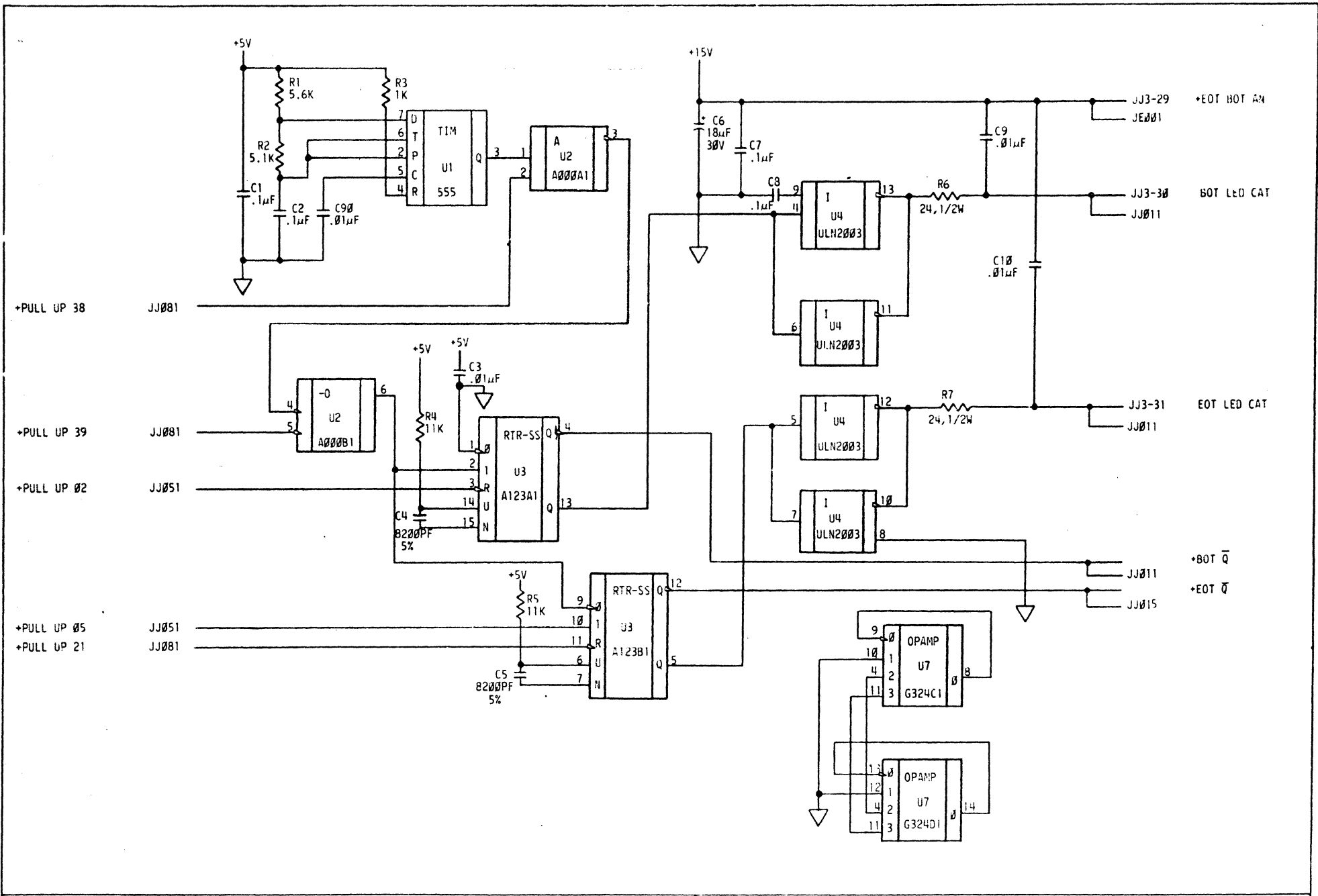
MACH. 1950
 VERS.
 OBL. ROT.

CD. LOC. A2
 GATE
 FRAME

CD. PN. 43104307-4
 CD. TYPE JJ
 PG. PN. 401595001-9

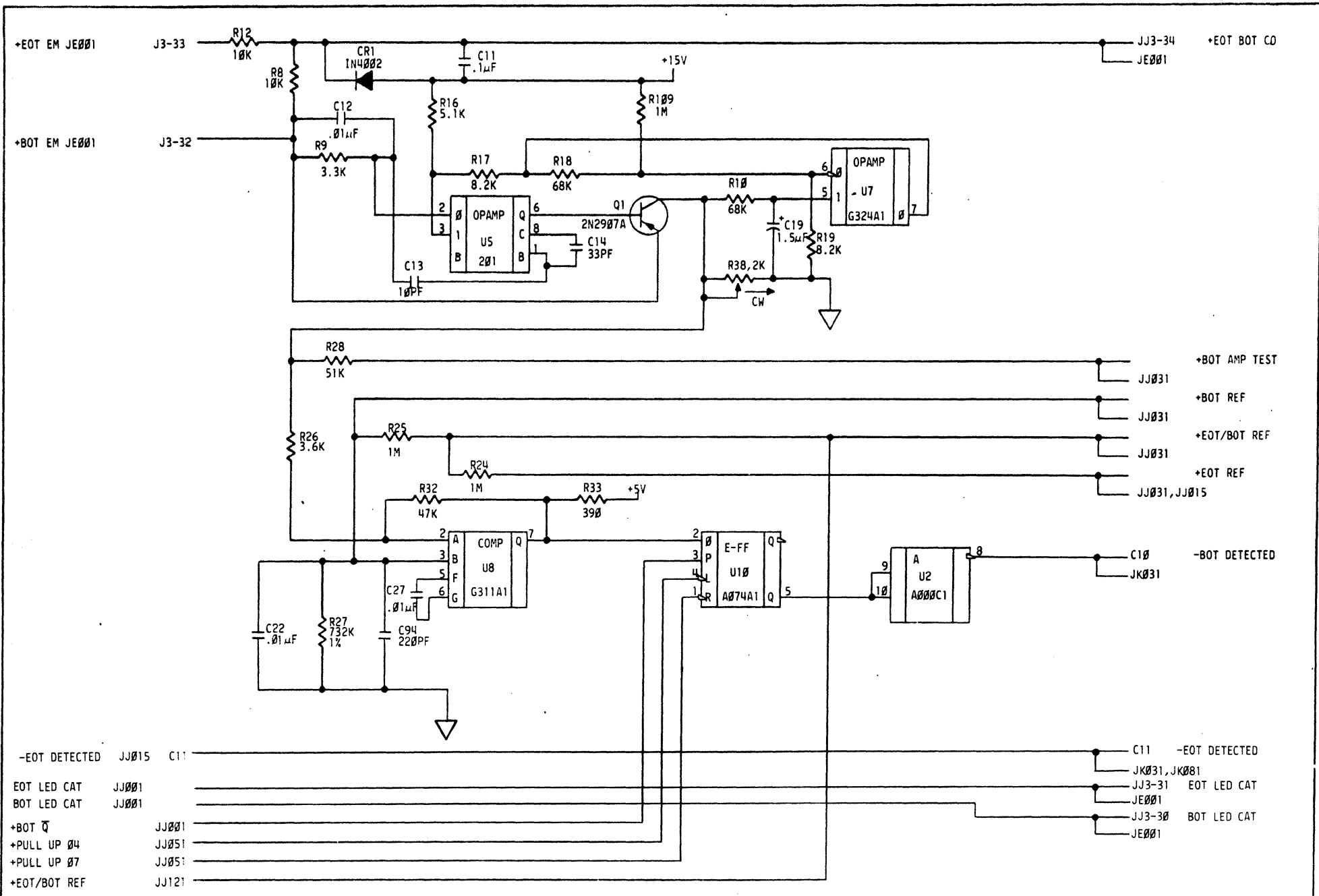
A
B
O
O
I

A
B
O
O
I



NOTES: UNLESS OTHERWISE SPECIFIED
 1. RESISTORS ARE 1/4W, 5% AND VALUES ARE IN OHMS.
 2. CAPACITORS ARE IN MICROFARADS.

EOT/BOT DRIVERS			
PREV. E.C.	44810	MACH. VERS.	1950
PREV. E.C.	44795	GBL. ROT.	
DATE	8-4-82	CD. LOC. FRAME	A2
		CD. P.N. CD. TYPE PG. P.N.	JJ -016478-03



NOTES: UNLESS OTHERWISE SPECIFIED

1. RESISTORS ARE 1/4W, 5% AND VALUES ARE IN OHMS.
2. CAPACITORS ARE IN MICROFARADS.

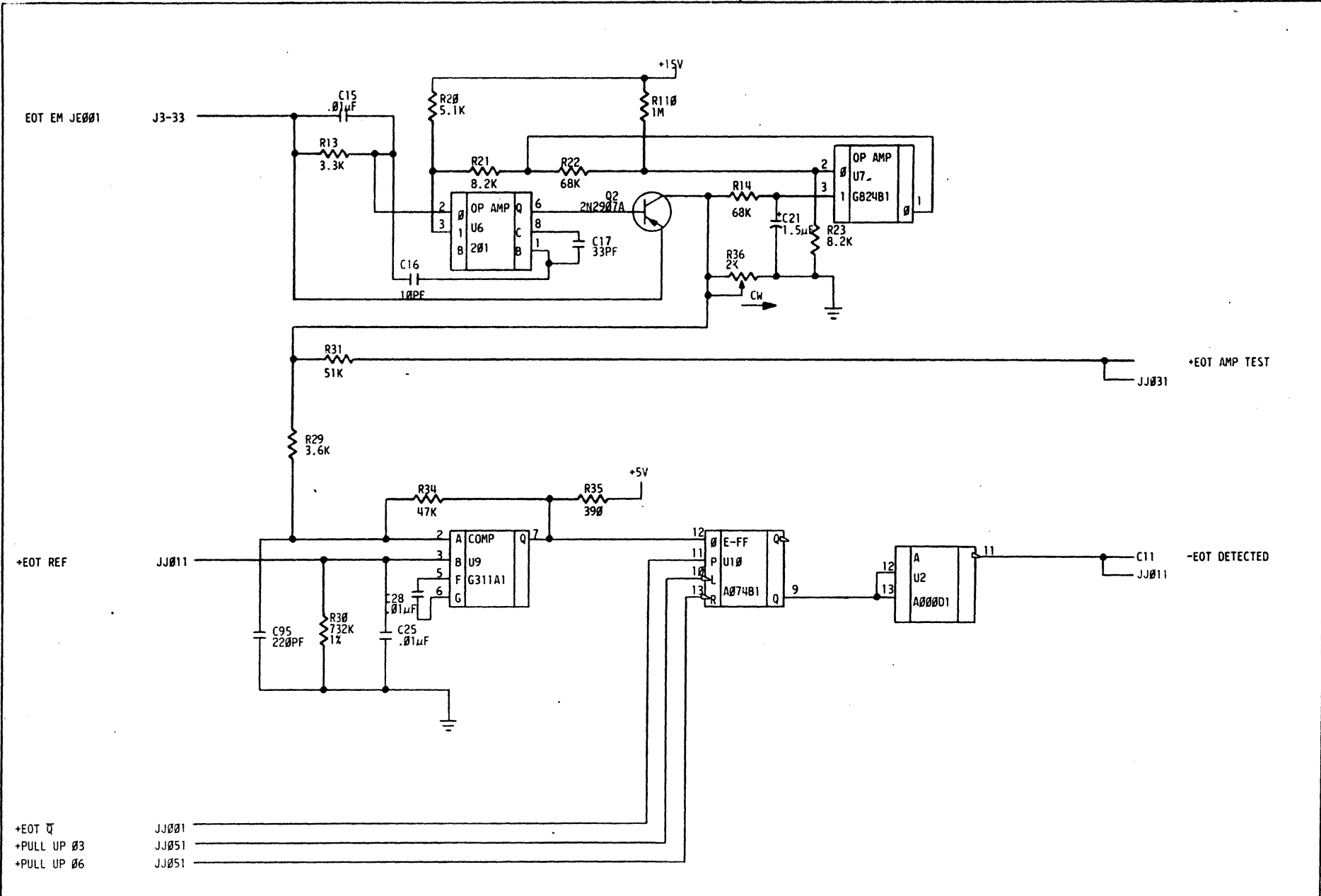
BOT SENSE

PRES. E.C. 44810
 PREV. E.C. 44795
 DATE 8-4-82

MACH. 1950
 VERS.
 GBL. ROT.

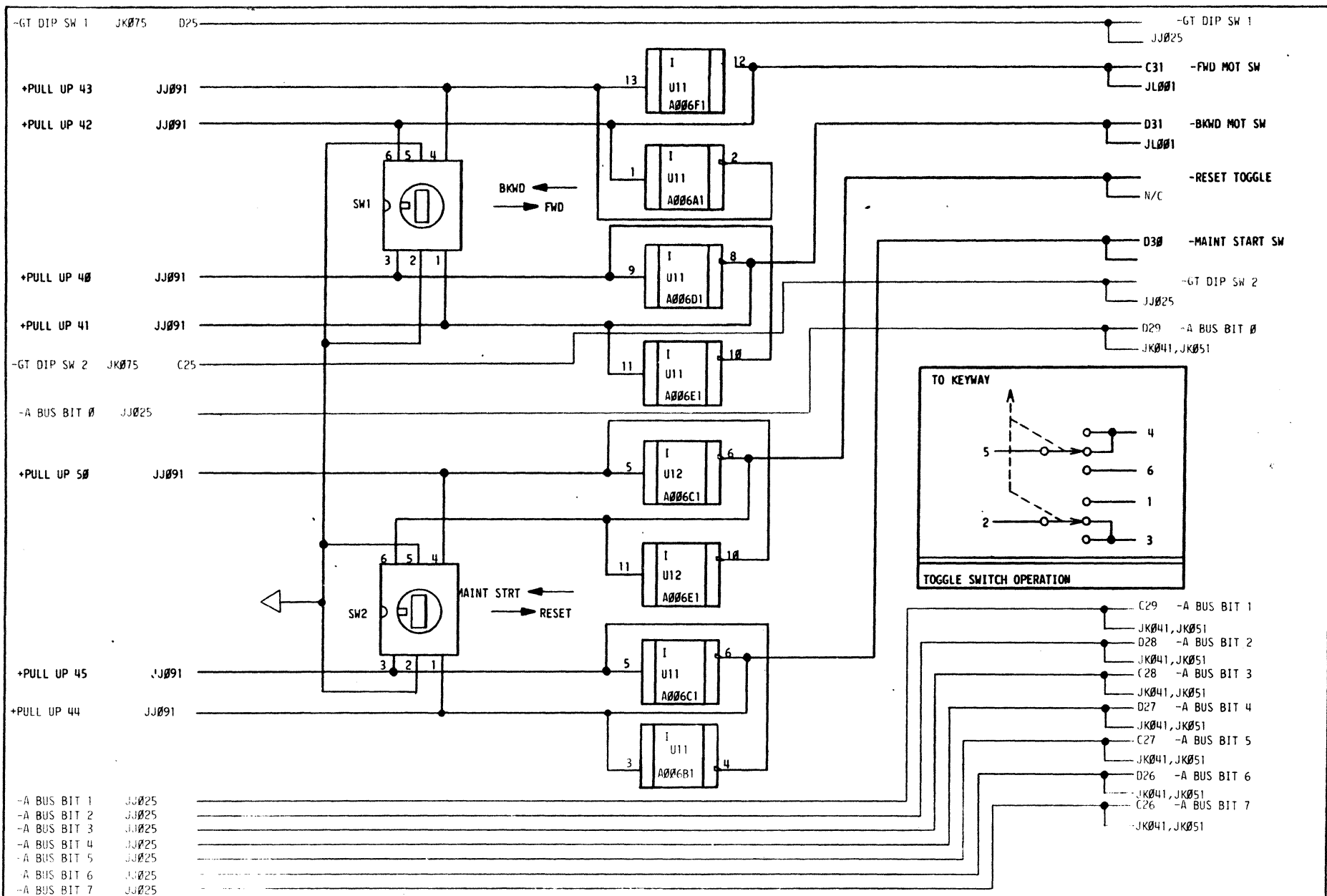
CD. LOC. A2
 GATE FRAME

CD. P.N. JJ
 CD. TYPE
 PG. P.N. 4016479-03



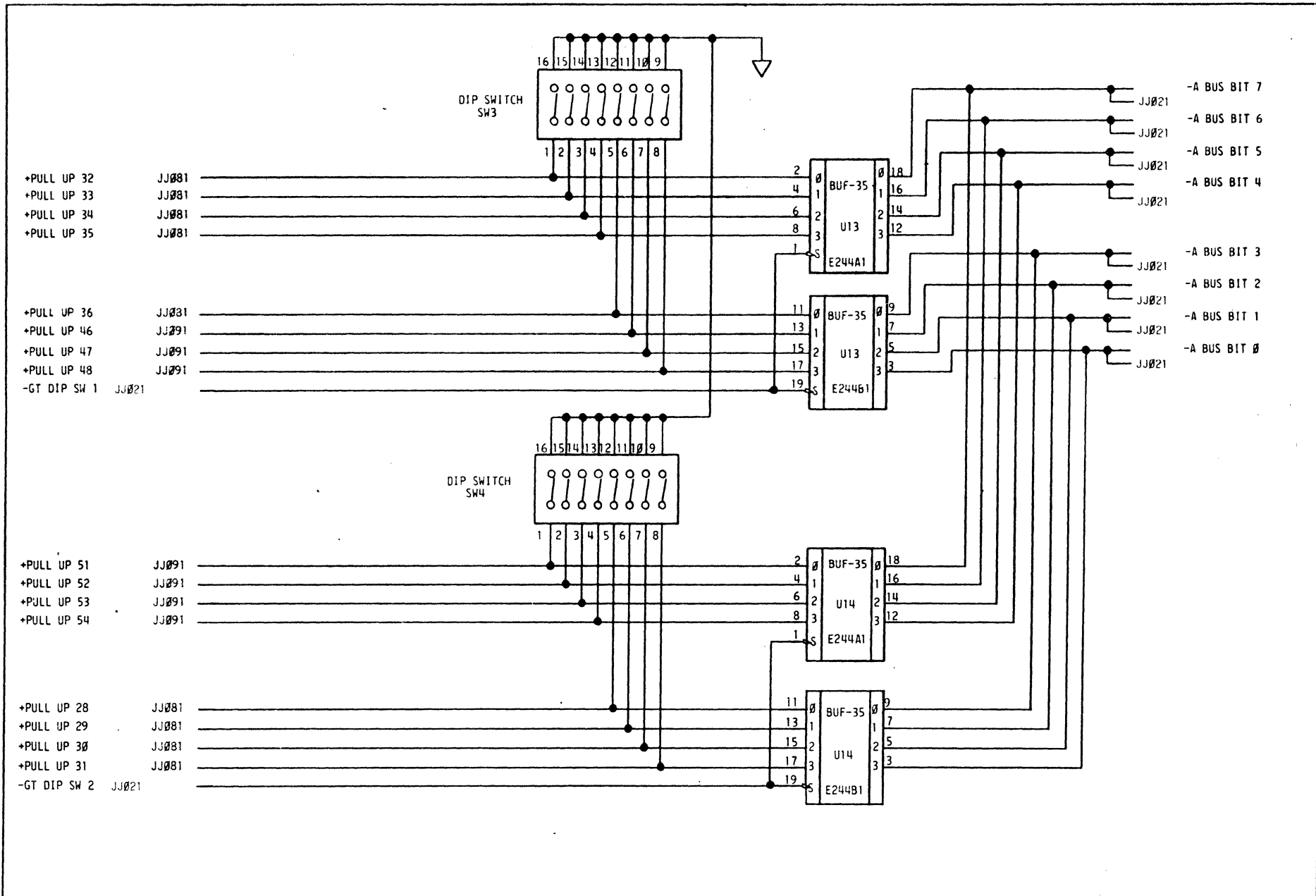
NOTES: UNLESS OTHERWISE SPECIFIED
 1. RESISTORS ARE 1/4W, 5% AND VALUES ARE IN OHMS.
 2. CAPACITORS ARE IN MICROFARADS.

EOT SENSE			
PRES. E.C.	44795	MACH.	1950
PREV. E.C.	44628	VERS.	
DATE	7-12-82	GBL. ROT.	
CD. LOC.	A2	GATE	
FRAME		CD. P.N.	
		CD. TYPE	JJ
		PG. RN.	4016480-02



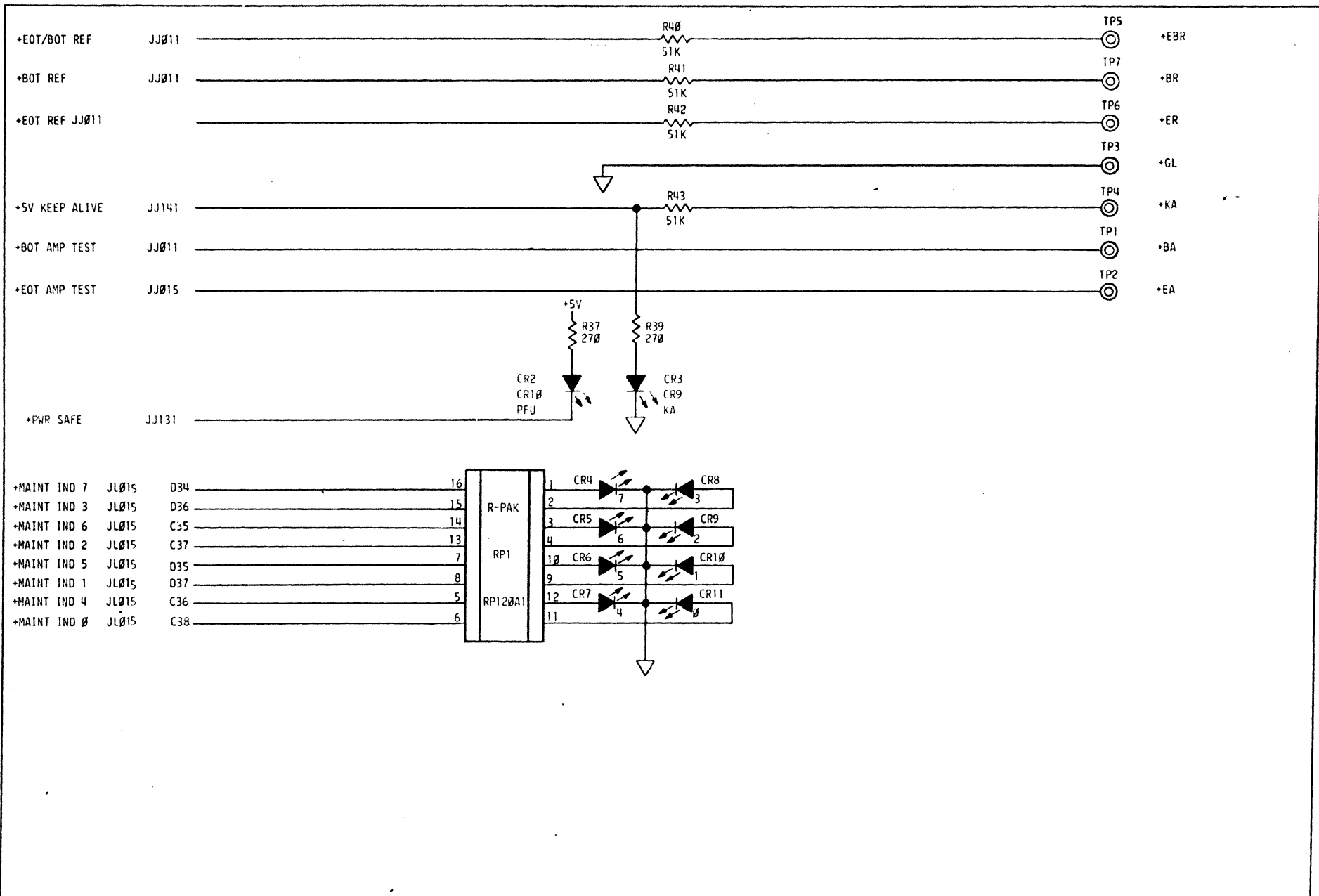
NOTES: UNLESS OTHERWISE SPECIFIED
 1. RESISTORS ARE 1/4W, 5% AND VALUES ARE IN OHMS.
 2. CAPACITORS ARE IN MICROFARADS.

MAINT PANEL 1 PREP. E. C. 44795 REV. E. C. 44717 DATE 7-12-82		MACH. 1950 VERS. GBL. ROT.	CD. LOC. A2 GATE FRAME	CD. PN. JJ CD. TYPE JJ PG. P/L 4016481-03
---	--	----------------------------------	---------------------------	---



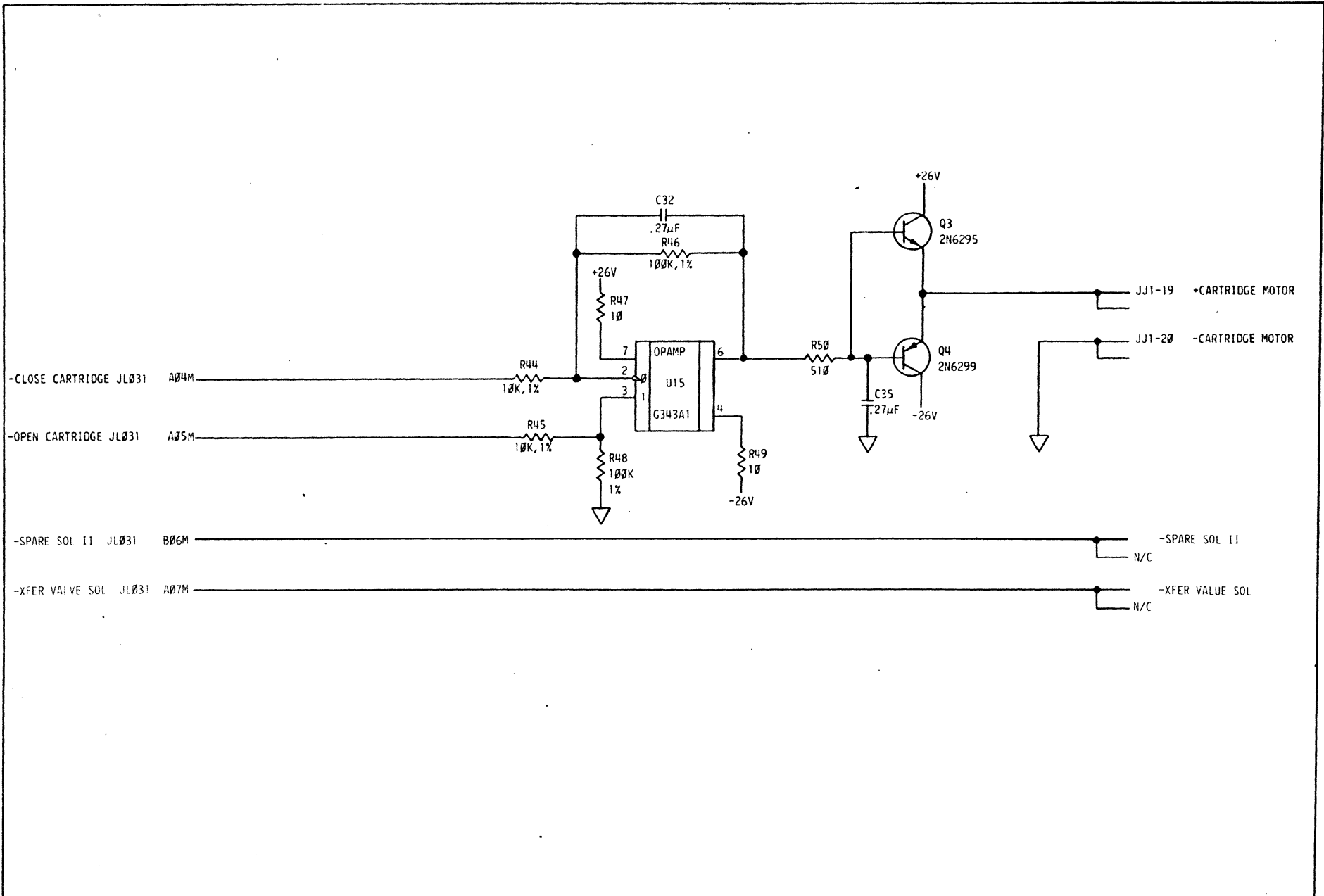
NOTES: UNLESS OTHERWISE SPECIFIED
 1. RESISTORS ARE 1/4w, 5% AND VALUES ARE IN OHMS.
 2. CAPACITORS ARE IN MICROFARADS.

MAINT PANEL 1				JJ 0 2 5
PRES. E.C.	44795	MACH. VERS.	1950	
PREV. E.C.	44628	GBL. ROT.		
DATE	7-12-82	CD. LOC. FRAME	A2	
		CD. P.N.	JJ	
		PG. P.N.	4016482-02	



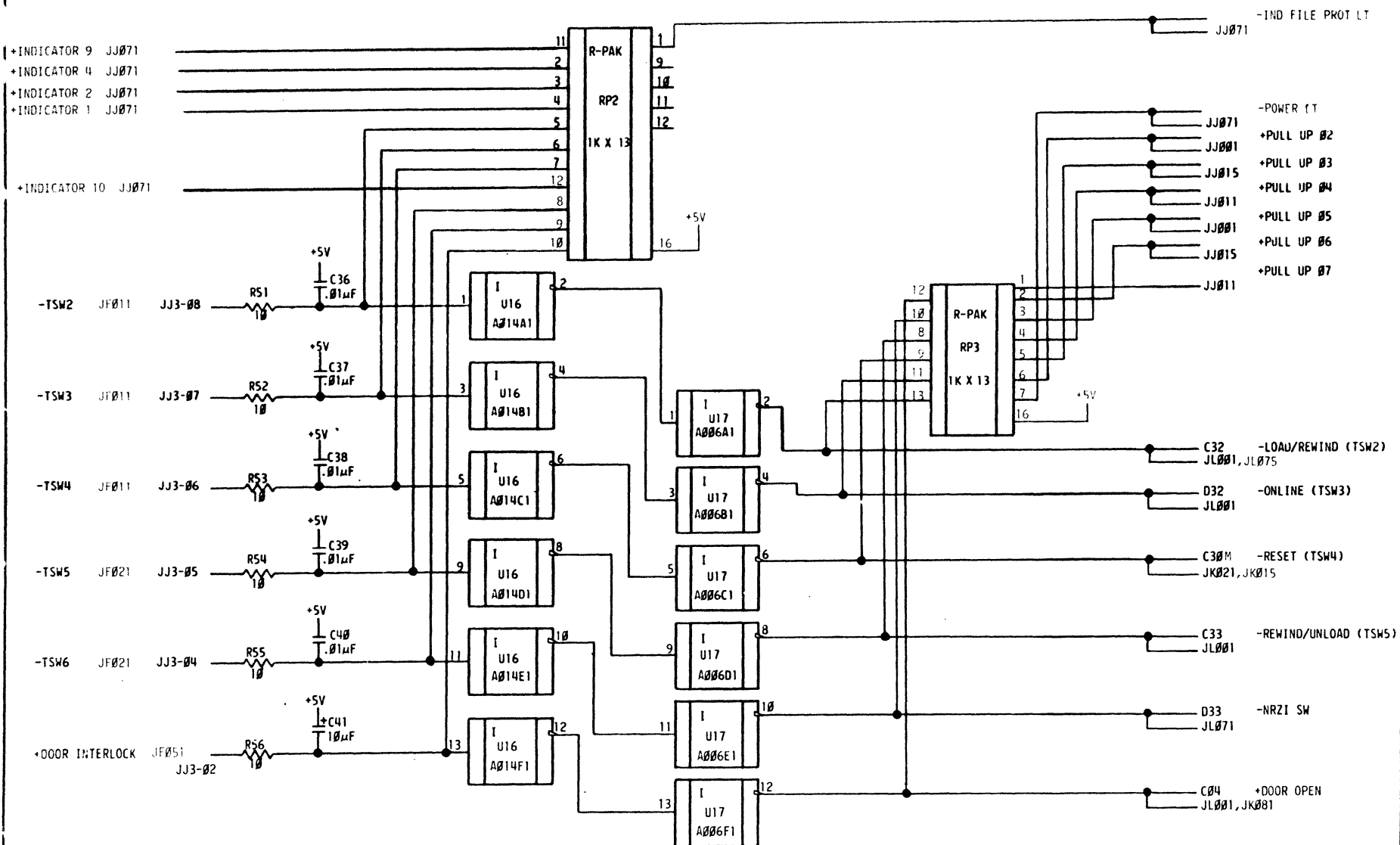
NOTES: UNLESS OTHERWISE SPECIFIED
 1. RESISTORS ARE 1/4W, 5% AND VALUES ARE IN OHMS.
 2. CAPACITORS ARE IN MICROFARADS.

MAINT PANEL 2			
PRES. E.C.	44795	MACH.	1950
PREV. E.C.	44628	VERS.	
DATE	7-12-82	GBL. ROT.	
CD. LOC.	A2	GATE FRAME	
CD. P.N.		CD. TYPE	JJ
		PG. PN.	4016483-02



NOTES: UNLESS OTHERWISE SPECIFIED
 1. RESISTORS ARE 1/4W, 5% AND VALUES ARE IN OHMS.
 2. CAPACITORS ARE IN MICROFARADS.

PRES. E.C. 44795		MACH. 1950		CD. LOC. A2		CD. P.N.	
PREV. E.C. 44628		VERS.		GATE		CD. TYPE JJ	
DATE 7-12-82		GBL. ROT.		FRAME		PG. P.N. 4016484-02	



NOTES: UNLESS OTHERWISE SPECIFIED

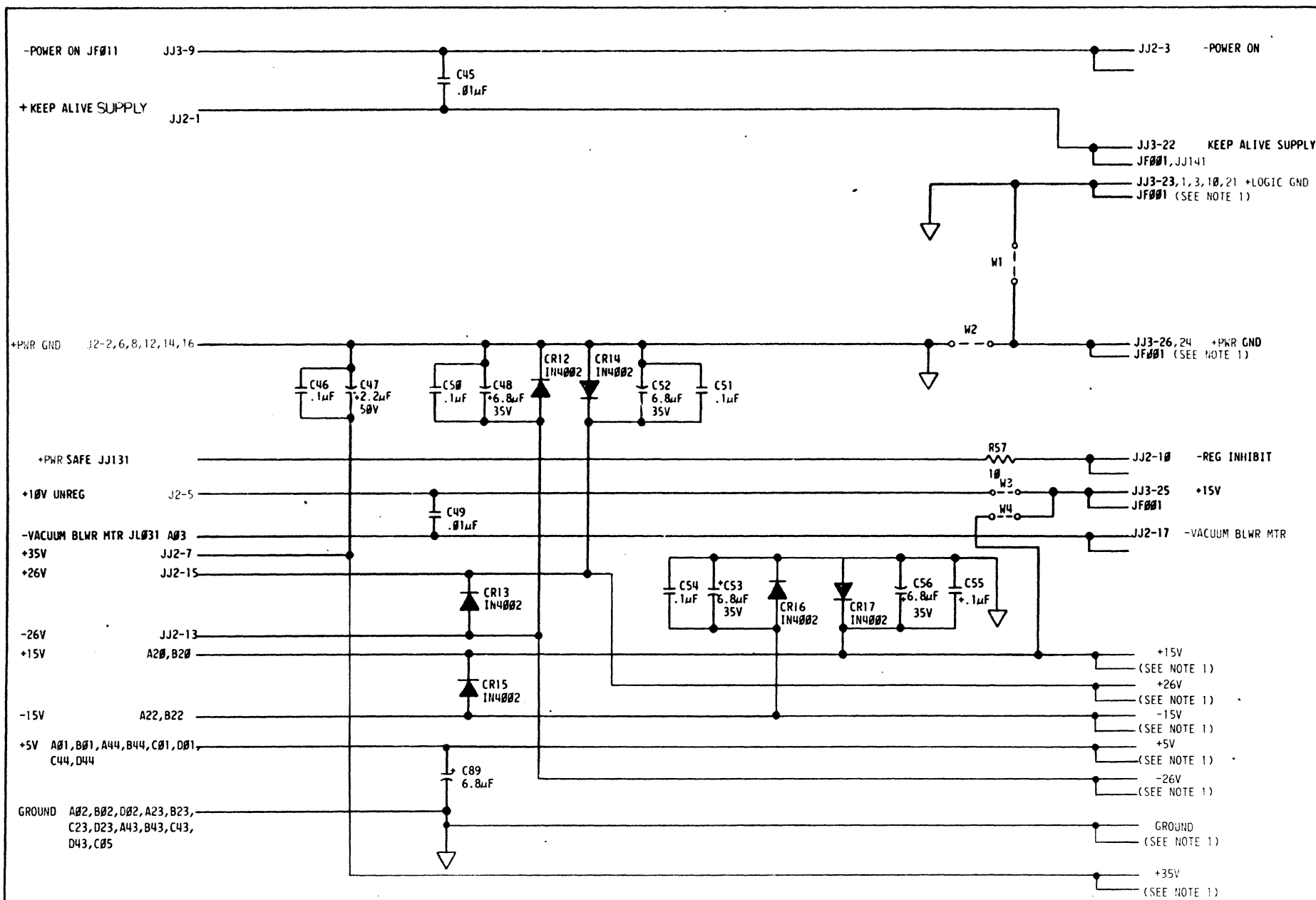
1. RESISTORS ARE 1/4W, 5% AND VALUES ARE IN OHMS.

2. CAPACITORS ARE IN MICROFARADS.

PRES. E.C.		MACH.		CD. LOC.		CD. P.N.	
44715	44658	1950	VER.	A 2	JJ		
DATE	7-12-82	GBL. ROT.		FRAME	PG. P.N.	4016485-03	

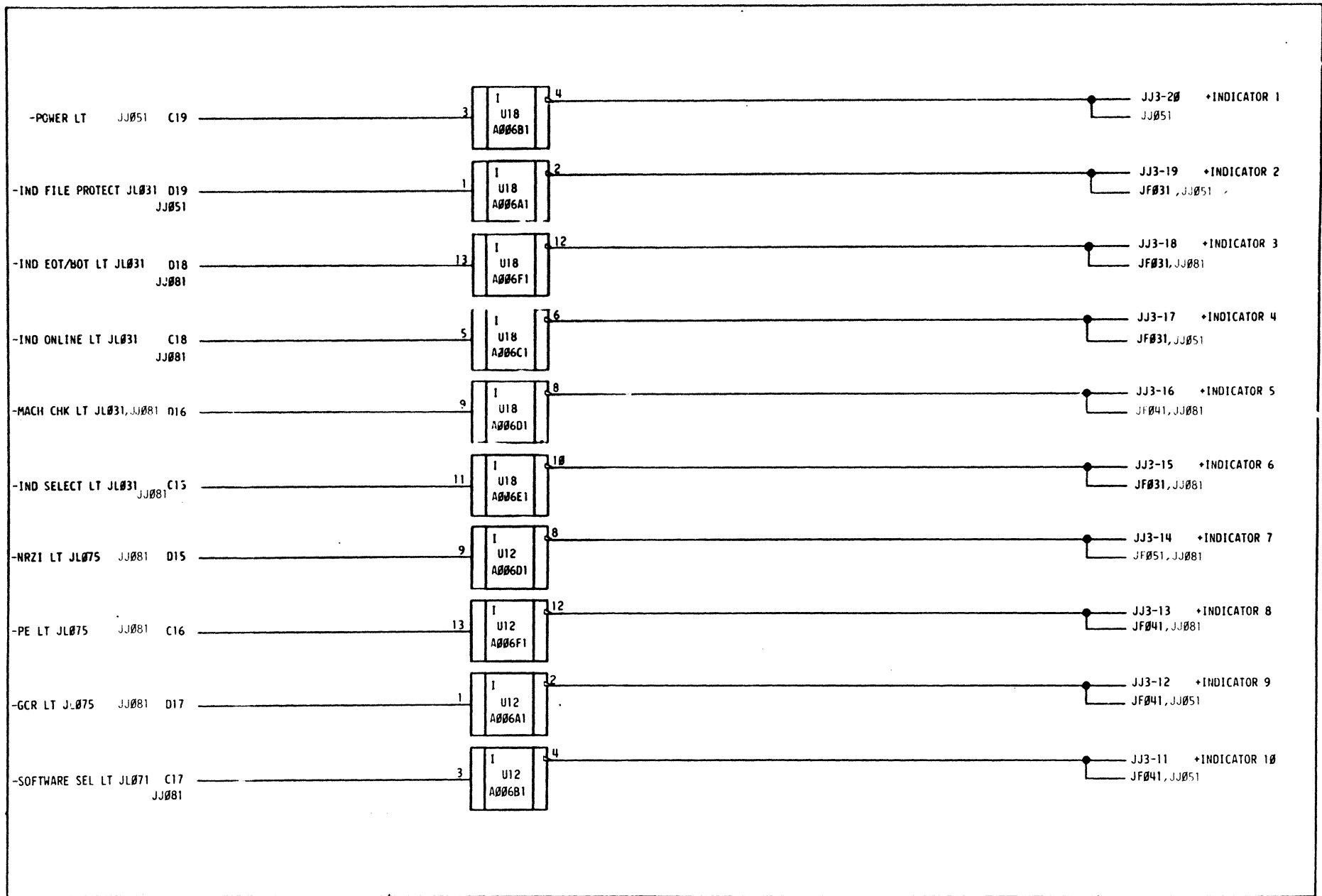
J
J
0
5
1

J
J
0
5
1

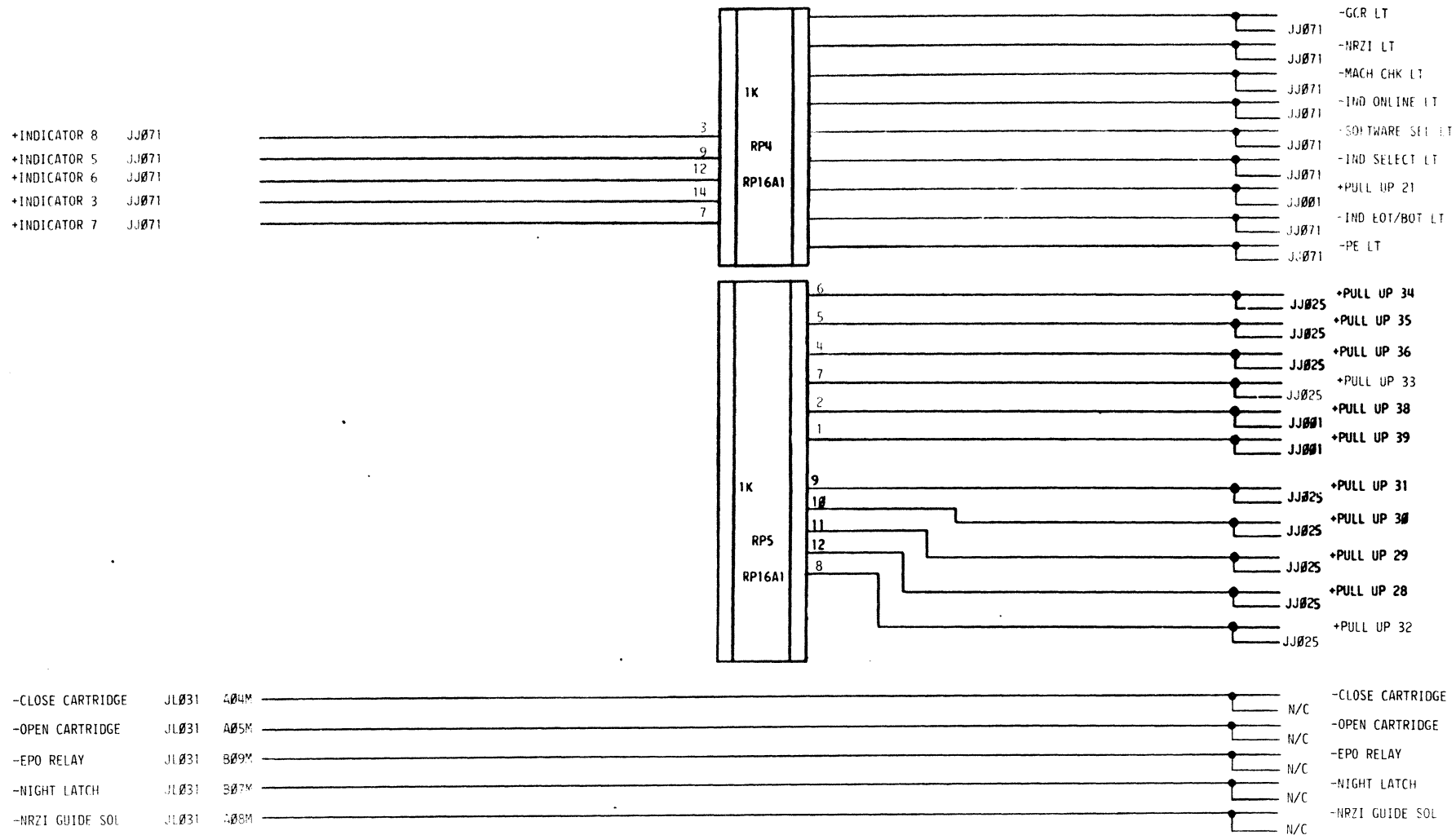


NOTES: UNLESS OTHERWISE SPECIFIED
 1. THESE LINES ARE CONNECTED TO INTERNAL POWER AND GROUND PLANES.
 2. RESISTORS ARE 1/4W, 5% AND VALUES ARE IN OHMS.
 3. CAPACITORS ARE IN MICROFARADS.

POWER INTERCON			
PREV. E.C.	44795	MACH.	1950
DATE	44717	VERS.	
	7-12-82	GBL. ROT.	
CD. LOC.	A2	CD. RM.	JJ
GATE FRAME		CD. TYPE	JJ
		PG. PN.	4016469-03



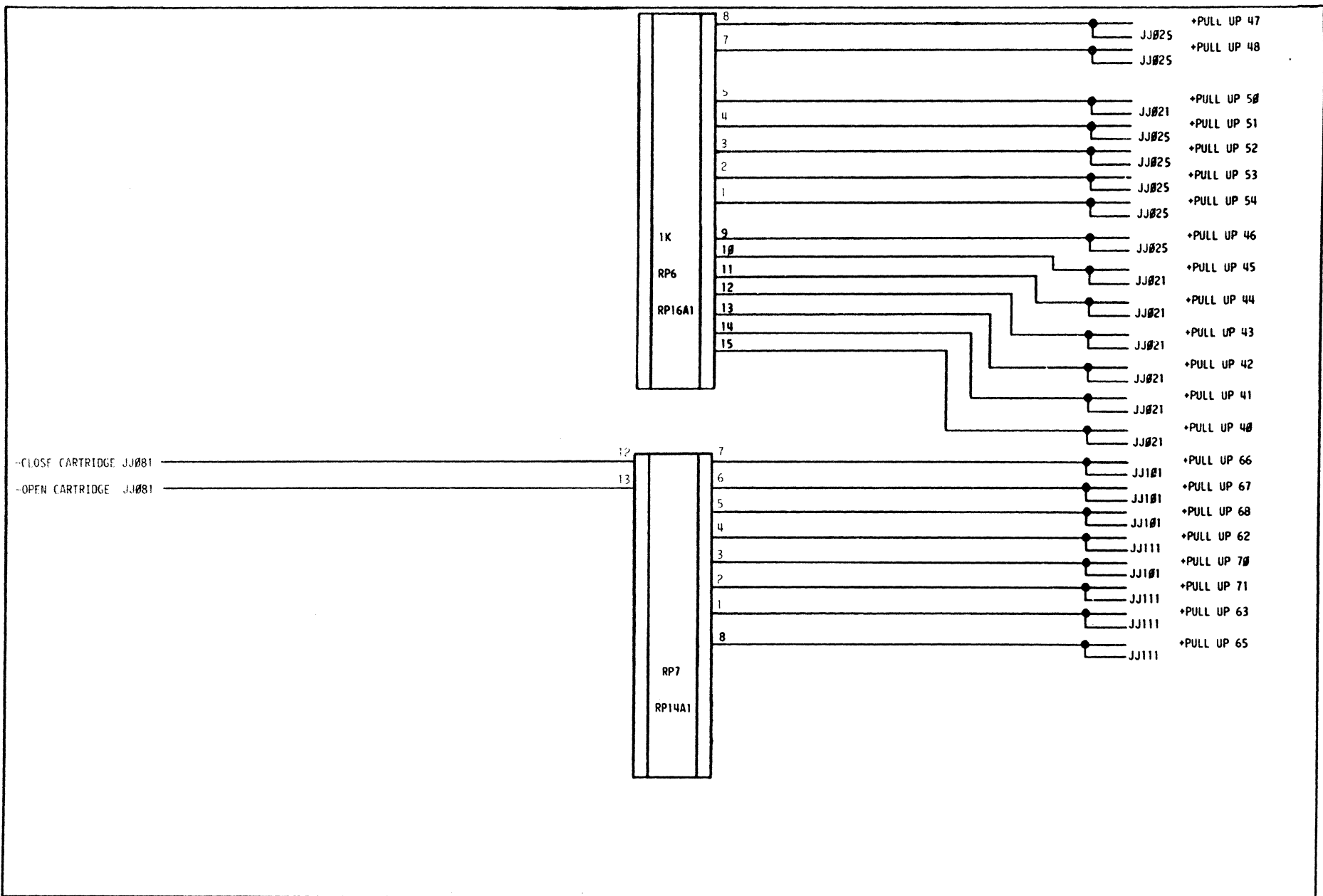
JJ 07 1	NOTES: UNLESS OTHERWISE SPECIFIED	LAMP BUFFERS				JJ 07 1
	1. RESISTORS ARE 1/4W, 5/8 AND VALUES ARE IN OHMS. 2. CAPACITORS ARE IN MICROFARADS.	PRES. E.C. 44745 PREV. E.C. 44717 DATE 7-12-82	MACH. VERS. 1950 GBL. ROT.	CD. LOC. A2 GATE FRAME	CD. P.N. JJ CD. TYPE 4016470-03 PG. EN.	



NOTES: UNLESS OTHERWISE SPECIFIED

1. RESISTORS ARE 1/4W, 5% AND VALUES ARE IN OHMS.
2. CAPACITORS ARE IN MICROFARADS.

PULL UP 1			
PRES. E.C. 44795 PREV. E.C. 44717 DATE 7-12-82	MACH. 195Ø VERS. GBL. ROT.	CD. LOG. A2 GATE FRAME	CD. P.N. JJ CD. TYPE JJ PG. P.N. 4Ø16471-Ø3



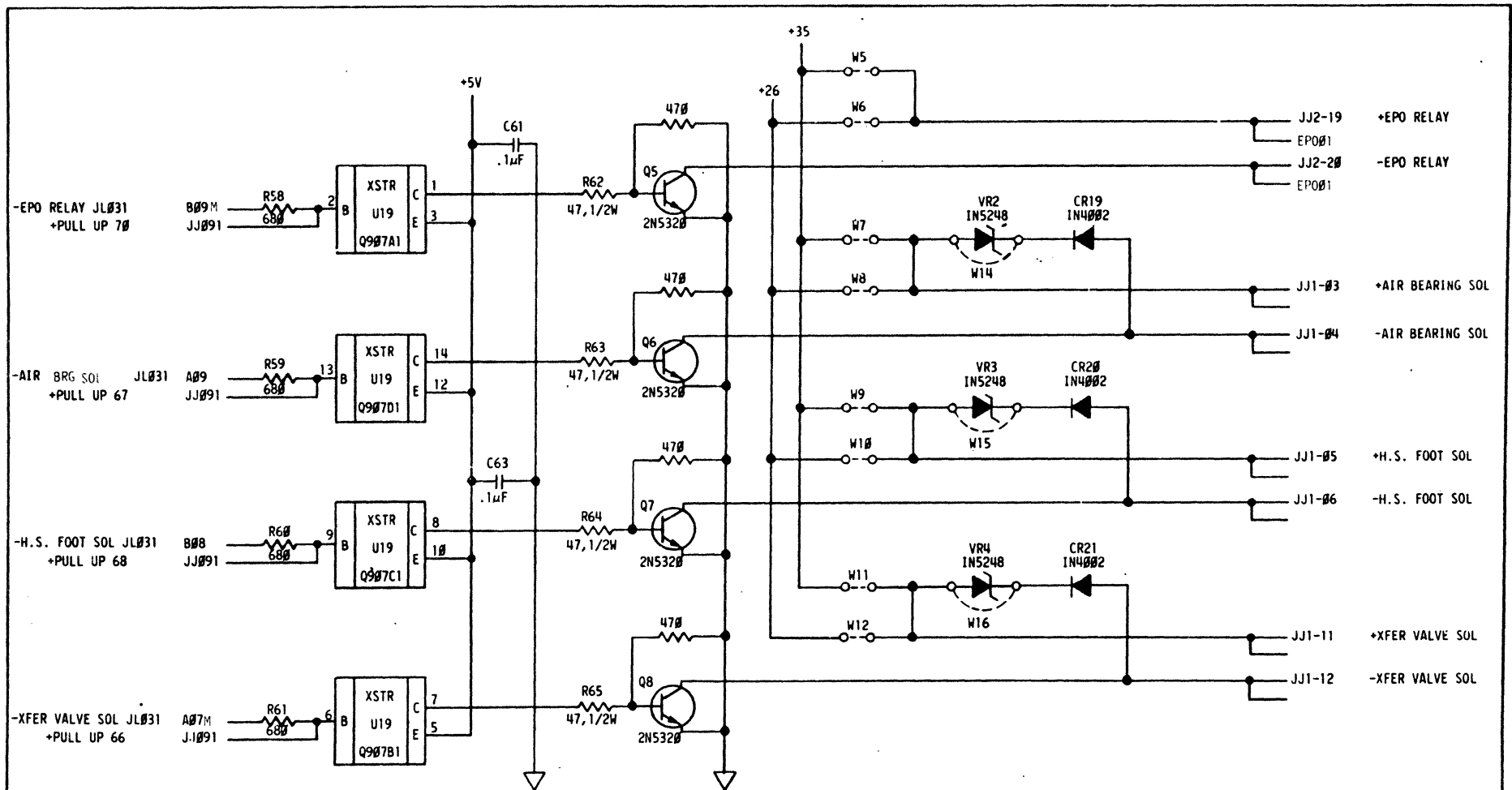
--CLOSE CARTRIDGE JJ081
 --OPEN CARTRIDGE JJ081

NOTES: UNLESS OTHERWISE SPECIFIED
 1. RESISTORS ARE 1/4W, 5% AND VALUES ARE IN OHMS.
 2. CAPACITORS ARE IN MICROFARADS.

PRES. E.C. 44795		MACH. 1958		CD. LOC. A2		CD. P.N. JJ	
PREV. E.C. 44717		VERS.		GATE		CD. TYPE	
DATE 7-12-82		GBL. ROT.		FRAME		PG. P.N. 4016472-03	

J
J
9
!

J
J
9
!



NOTES: UNLESS OTHERWISE SPECIFIED

1. RESISTORS ARE 1/4W, 5% AND VALUES ARE IN OHMS.
2. CAPACITORS ARE IN MICROFARADS.

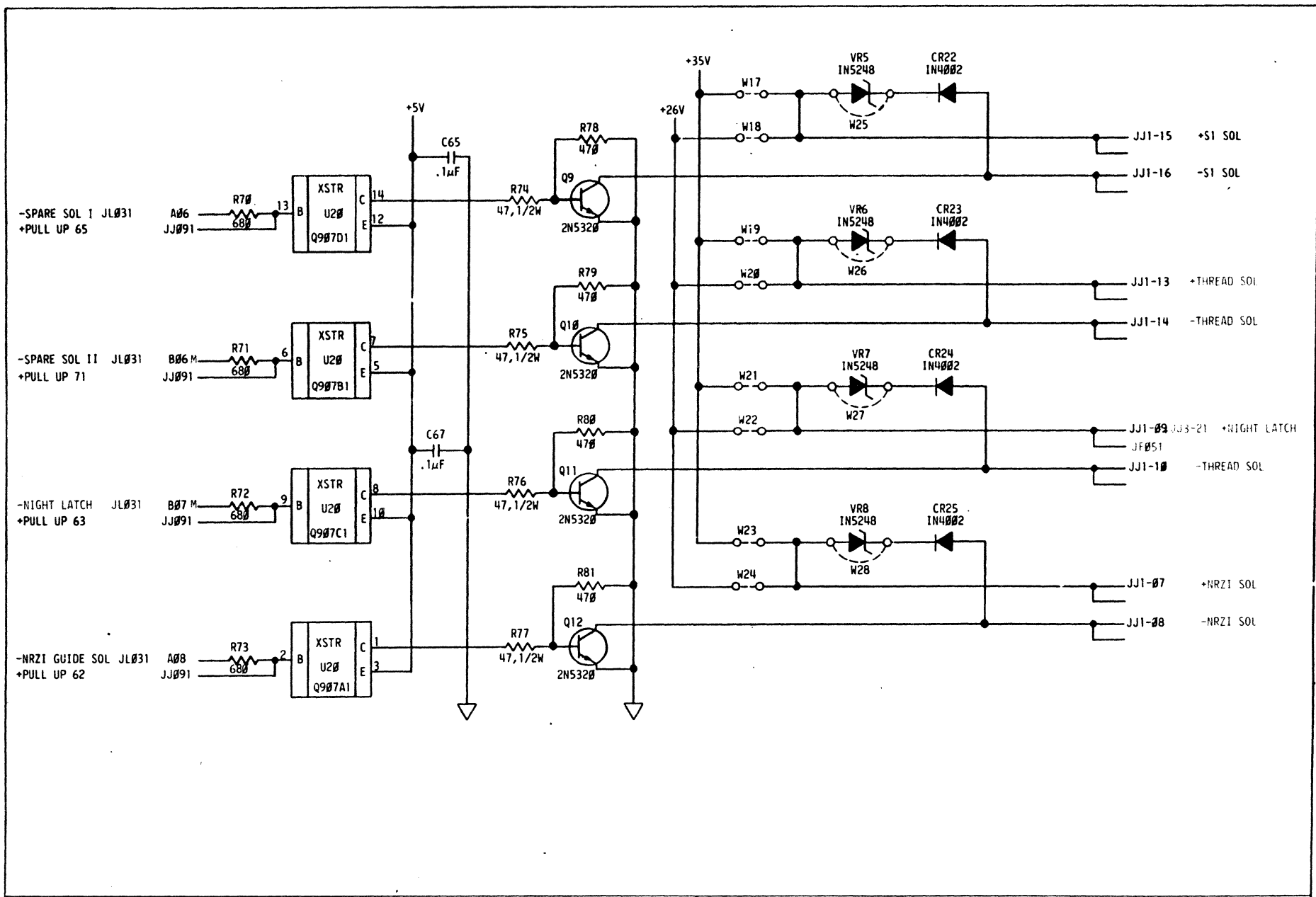
SOL DRIVERS 1

PRES. E.C. 44795
 PREV. E.C. 44717
 DATE 7-12-82

MACH. 1950
 VERS. GBL. ROT.

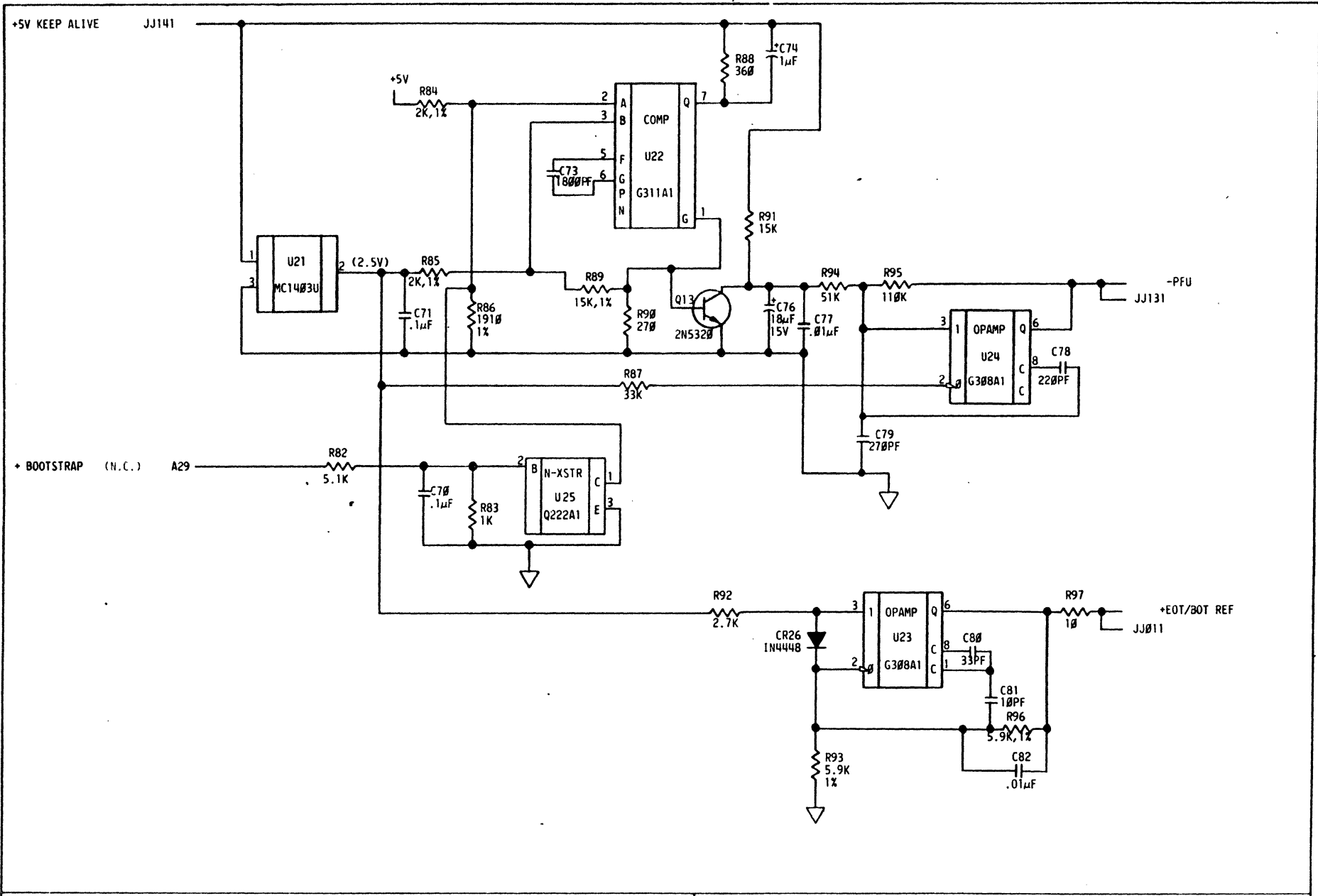
CD. LOC. A2
 GATE FRAME

CD. P.N. JJ
 CD. TYPE JJ
 PG. P.N. 4016473-03



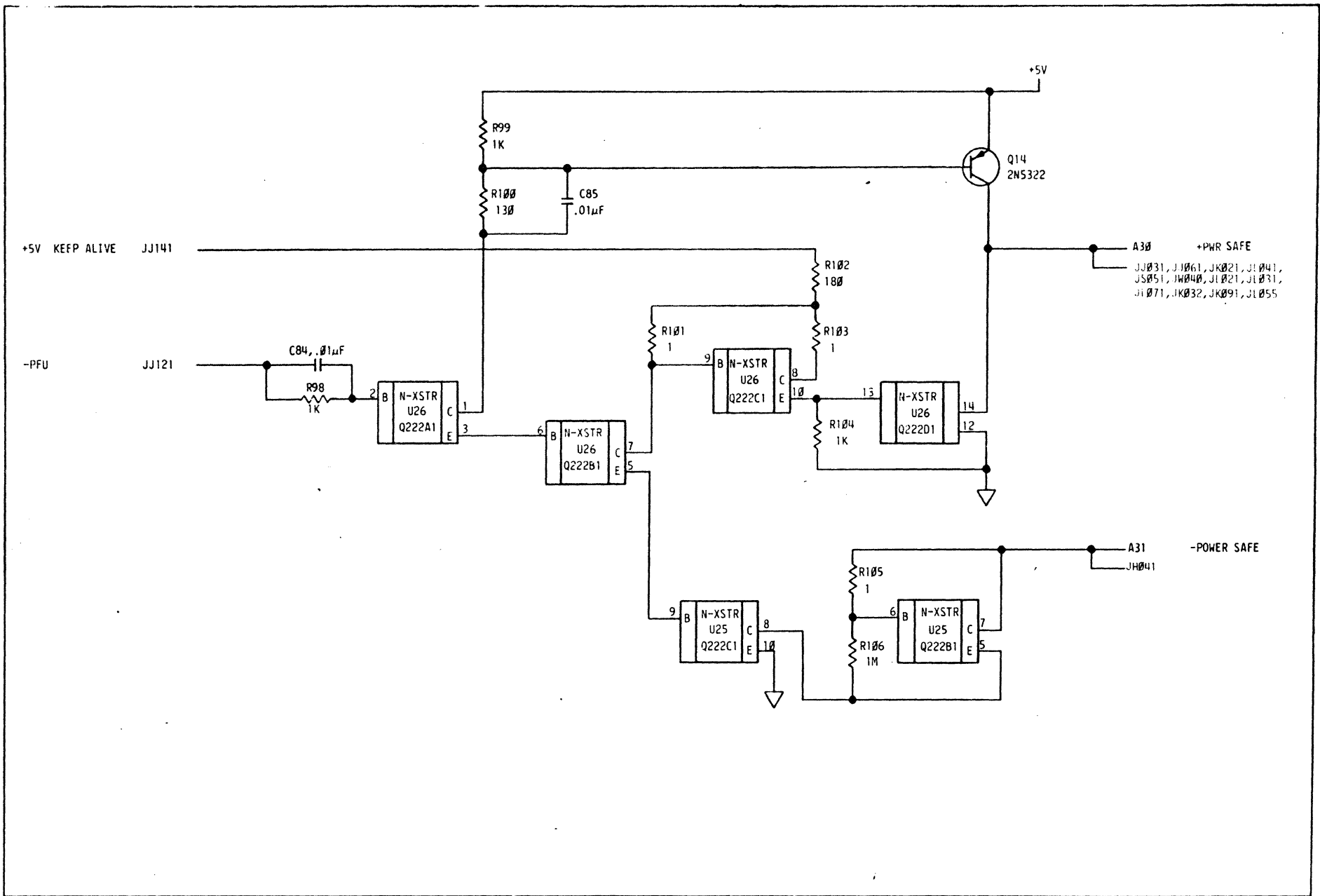
NOTES: UNLESS OTHERWISE SPECIFIED
 1. RESISTORS ARE 1/4W, 5% AND VALUES ARE IN OHMS.
 2. CAPACITORS ARE IN MICROFARADS.

SGS		SOL DRIVERS 2		J J
PRES. E.C.	44795	MACH. VERS.	1950	1
PREV. E.C.	44717	GATE FRAME	A2	1
DATE	7-12-82	CD. P.N.	4016474-03	1
		CD. TYPE	JJ	
		PG. RN.	4016474-03	



NOTES: UNLESS OTHERWISE SPECIFIED
 1. RESISTORS ARE 1/4W, 5% AND VALUES ARE IN OHMS.
 2. CAPACITORS ARE IN MICROFARADS.

PFU SENSE			
PRES. E.C.	44795	MACH. VERS.	1950
PREV. E.C.	44717	GBL. ROT.	
DATE	7-12-82	CD. LOC.	A2
		GATE FRAME	
		CD. P.N.	JJ
		CD. TYPE	
		PG. P.N.	4016475-03

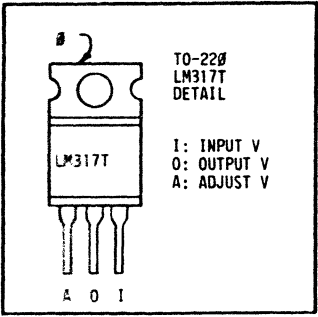
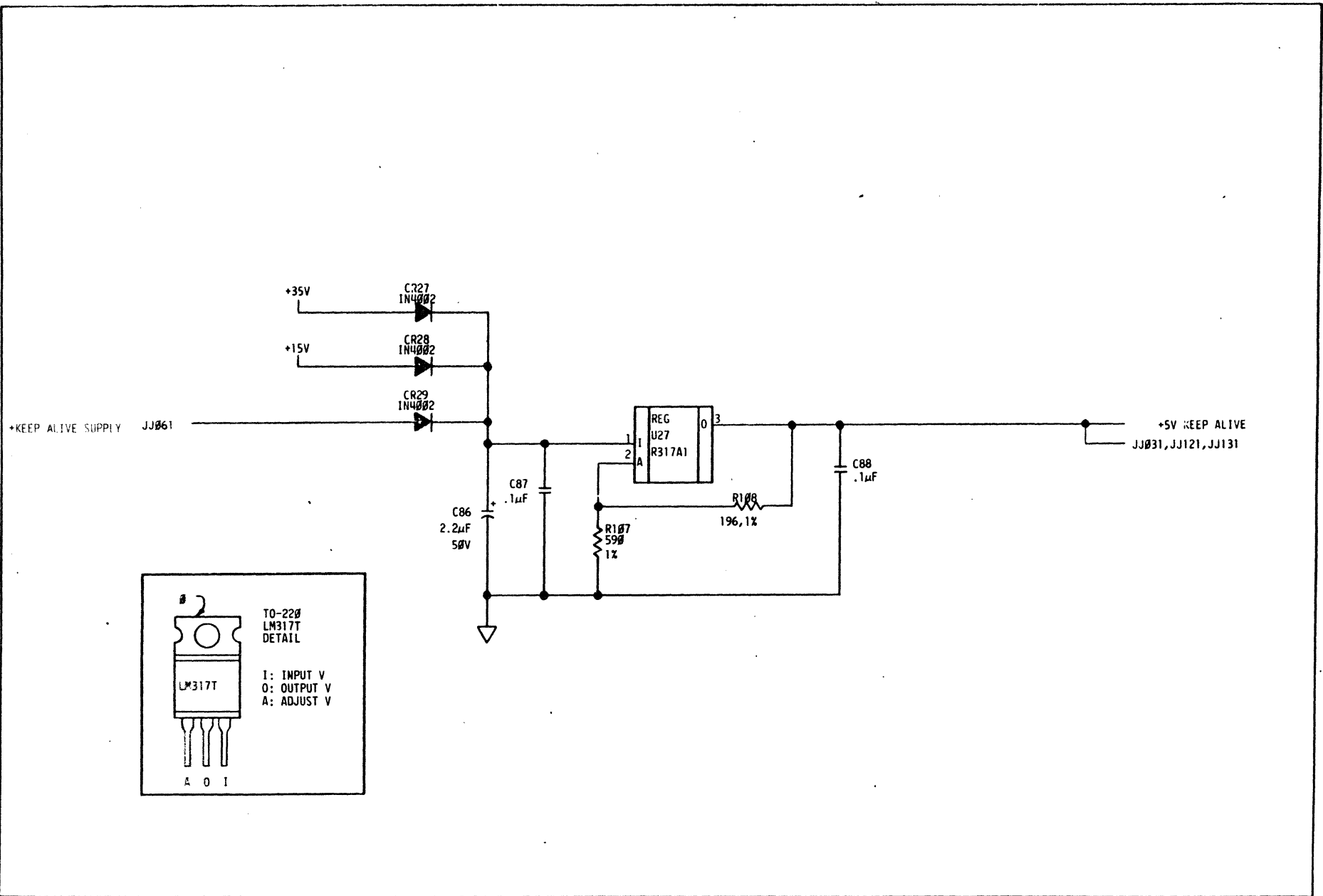


A30 +PWR SAFE
 JJ031, JJ061, JK021, JL041,
 JS051, JH040, JL021, JL031,
 JL071, JK032, JK091, JL055

A31 -POWER SAFE
 JH041

NOTES: UNLESS OTHERWISE SPECIFIED
 1. RESISTORS ARE 1/4w, 5% AND VALUES ARE IN OHMS.
 2. CAPACITORS ARE IN MICROFARADS.

		+PWR SAFE BUF'R			
PREL. E.C.	44795	MACH. VERS.	1950	CD. LOC.	A2
PREV. E.C.	44628	GBL. ROT.		CD. P.N.	JJ
DATE	7-12-82			CD. TYPE	JJ
				PG. PN.	4016476-02



NOTES: UNLESS OTHERWISE SPECIFIED
 1. RESISTORS ARE IN OHMS AND VALUES ARE IN OHMS.
 2. CAPACITORS ARE IN MICROFARADS.

KEEP ALIVE REG		CD. LOC. A2	
		CD. P.N. JJ CD. TYPE JJ PG. P.N. 4016477 03	JJ 1 4 1
PRES. E.C. 44795 PREV. E.C. 44717 DATE 7-12-82	MACH. 1950 VERS. GBL. ROT.	GATE FRAME	JJ 1 4 1

ASSEMBLY PARTS LIST

BOILED ARC DOC

PRINT DATE	PAGE	E.C. NO.
10-07-83	1	49256

DIV	ASSEMBLY NUMBER	CD	REV.	DWG.	DESCRIPTION	MC	STATUS	STATUS DATE	FILE DATE					
0500	401295704	1	H	N	SYS LGC GP, JJ2, 401276304, PC	N	REL	09-12-83	1950 09-20-83					
T/FIND NO	LI	PART NUMBER	CD	M	QUANTITY	U/M	PART DESCRIPTION	MC	YLD	E.C. NO. IN	E.C. NO. OUT	S/N	WK IN	WK OUT
000	01	401253901	3		REF	PC	SYS LGC, JJ2, AB001, PC	D			44811			8303
000	02	401253902	1		REF	PC	SYS LGC JJ2, AB001, PC	D		44811	49256		8303	8338
000	03	401253903	9		REF	PC	SYS LGC JJ2, AB001, PC	D		49256			8338	
011	01	401254002	9		REF	PC	SYS LGC, JJ011, PC	D			44628			8144
011	02	401254003	7		REF	PC	SYS LGC, JJ011, PC	D		44628	44717		8144	8218
011	03	401254004	5		REF	PC	SYS LGC, JJ011, PC	D		44717	44795		8218	8231
011	04	401254005	2		REF	PC	SYS LGC, JJ011, PC	D		44795			8231	
021	01	401254101	9		REF	PC	SYS LGC, JJ021, PC	D			44628			8144
021	02	401254102	7		REF	PC	SYS LGC, JJ021, PC	D		44628	44795		8144	8231
021	03	401254103	5		REF	PC	SYS LGC, JJ021, PC	D		44795			8231	
031	01	401254201	7		REF	PC	SYS LGC, JJ031, PC	D			44795			8231
031	02	401254202	5		REF	PC	SYS LGC, JJ031, PC	D		44795			8231	
041	01	401254301	5		REF	PC	SYS LGC, JJ041, PC	D			44628			8144
041	02	401254302	3		REF	PC	SYS LGC, JJ041, PC	D		44628	44717		8144	8218
041	03	401254303	1		REF	PC	SYS LGC, JJ041, PC	D		44717	44795		8218	8231
041	04	401254304	9		REF	PC	SYS LGC, JJ041, PC	D		44795			8231	
051	01	401254401	3		REF	PC	SYS LGC, JJ051, PC	D			44628			8144
051	02	401254402	1		REF	PC	SYS LGC, JJ051, PC	D		44628	44717		8144	8218
051	03	401254403	9		REF	PC	SYS LGC, JJ051, PC	D		44717	44795		8218	8231
051	04	401254404	7		REF	PC	SYS LGC, JJ051, PC	D		44795			8231	
061	01	401254501	0		REF	PC	SYS LGC, JJ061, PC	D			44795			8231
061	02	401254502	8		REF	PC	SYS LGC, JJ061, PC	D		44795	44810		8231	8236
061	03	401254503	6		REF	PC	SYS LGC, JJ061, PC	D		44810	44811		8236	8303
061	04	401254504	4		REF	PC	SYS LGC JJ061, PC	D		44811			8303	
071	01	401254601	8		REF	PC	SYS LGC, JJ071, PC	D			44628			8144
071	02	401254602	6		REF	PC	SYS LGC, JJ071, PC	D		44628	44717		8144	8218
071	03	401254603	4		REF	PC	SYS LGC, JJ071, PC	D		44717	44795		8218	8231
071	04	401254604	2		REF	PC	SYS LGC, JJ071, PC	D		44795			8231	
081	01	401254701	6		REF	PC	SYS LGC, JJ081, PC	D			44628			8144
081	02	401254702	4		REF	PC	SYS LGC, JJ081, PC	D		44628	44717		8144	8218
081	03	401254703	2		REF	PC	SYS LGC, JJ081, PC	D		44717	44795		8218	8231
081	04	401254704	0		REF	PC	SYS LGC, JJ081, PC	D		44795			8231	



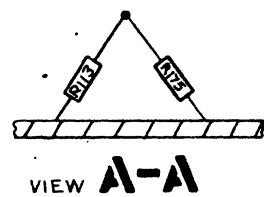
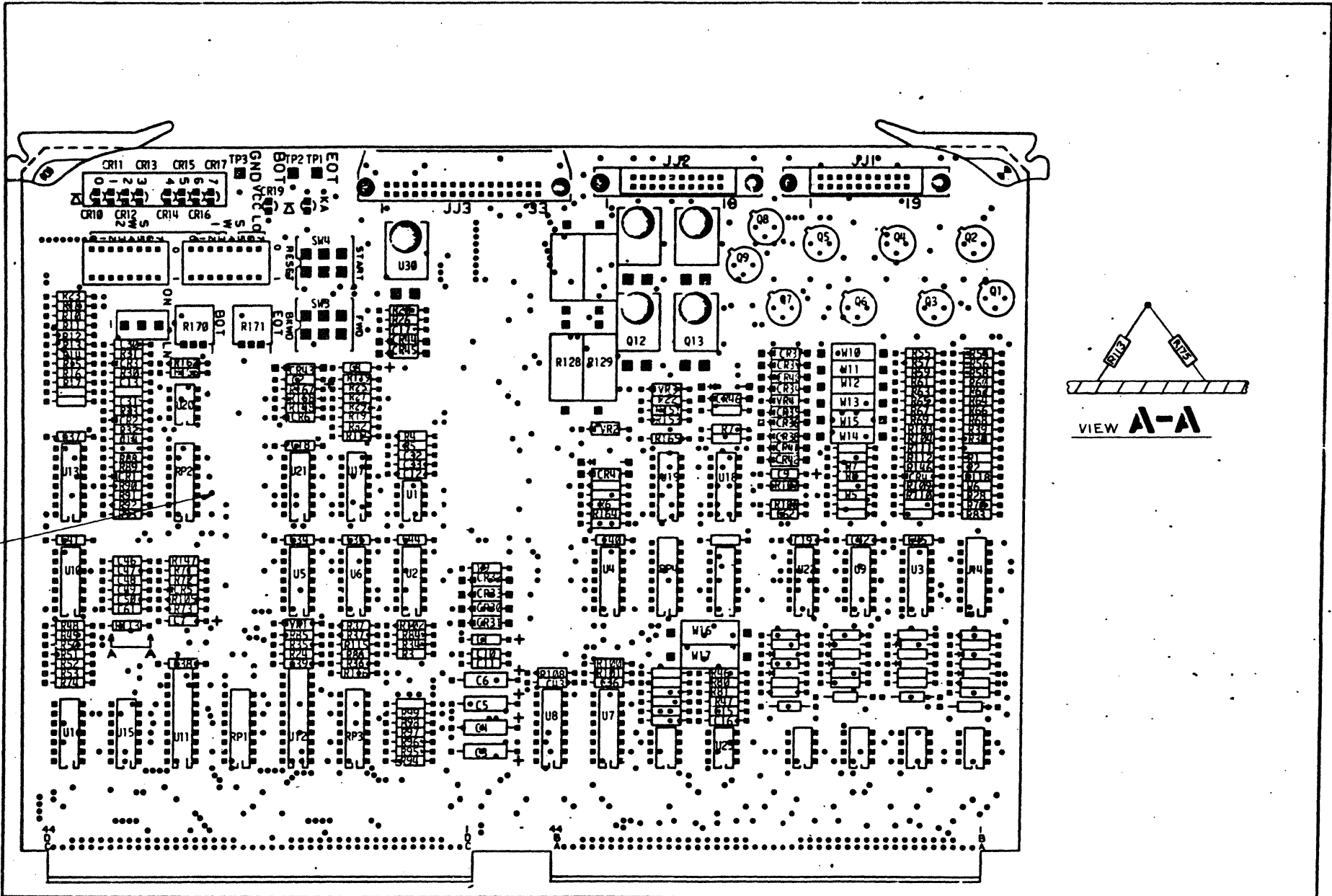
ST TECHNOLOGY CORP.

ASSEMBLY PARTS LIST

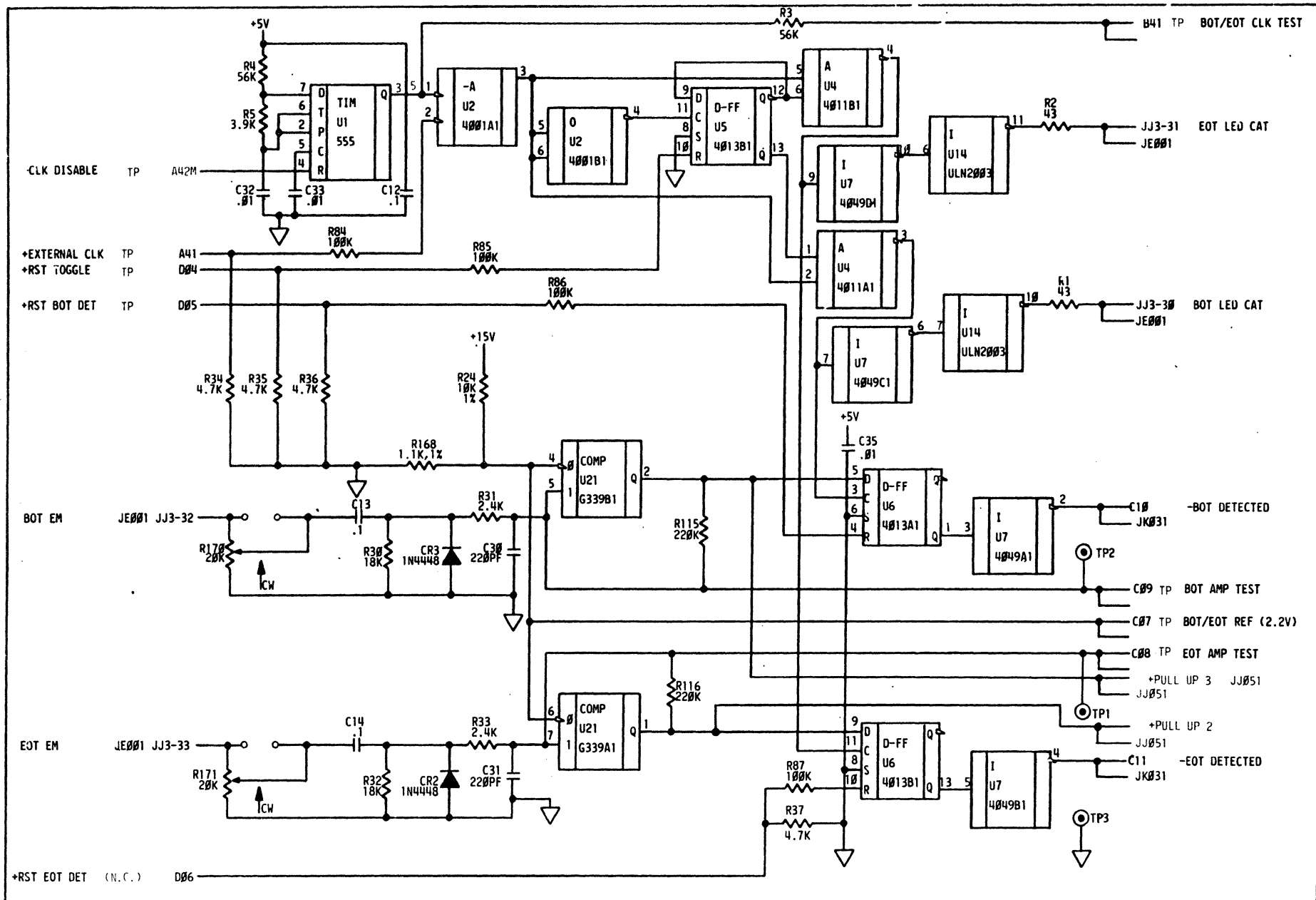
BUILD ARC DOC

PRINT DATE	PAGE	E.C. NO.
10-07-83	2	49256

DIV	ASSEMBLY NUMBER	CD	REV.	DWG.	DESCRIPTION	MC	STATUS	STATUS DATE	FILE DATE					
0500	401295704	1	H	N	SYS LGC GP, JJ2, 401276304, PC	N	REL	09-12-83	1950 09-20-83					
T FIND NO	LI	PART NUMBER	CD	M	QUANTITY	U/M	PART DESCRIPTION	MC	YLD	E.C. NO IN	E.C. NO. OUT	S/N	WK IN	WK OUT
101	01	401254801	4		REF	PC	SYS LGC, JJ101, PC	D			44628		8144	8144
101	02	401254802	2		REF	PC	SYS LGC, JJ101, PC	D		44628	44717		8144	8218
101	03	401254803	0		REF	PC	SYS LGC, JJ101, PC	D		44717	44795		8218	8231
101	04	401254804	8		REF	PC	SYS LGC, JJ101, PC	D		44795	44811		8231	8303
101	05	401254805	5		REF	PC	SYS LGC JJ101, PC	D		44811			8303	
111	01	401254901	2		REF	PC	SYS LGC, JJ111, PC	D			44628			8144
111	02	401254902	0		REF	PC	SYS LGC, JJ111, PC	D		44628	44717		8144	8218
111	03	401254903	8		REF	PC	SYS LGC, JJ111, PC	D		44717	44795		8218	8231
111	04	401254904	6		REF	PC	SYS LGC, JJ111, PC	D		44795	44811		8231	8303
111	05	401254905	3		REF	PC	SYS LGC JJ111, PC	D		44811			8303	
131	01	401255001	0		REF	PC	SYS LGC, JJ131, PC	D			44446			8132
131	02	401255002	8		REF	PC	SYS LGC, JJ131, PC	D		44446	44628		8132	8144
131	03	401255003	6		REF	PC	SYS LGC, JJ131, PC	D		44628	44717		8144	8218
131	04	401255004	4		REF	PC	SYS LGC, JJ131, PC	D		44717	44795		8218	8231
131	05	401255005	1		REF	PC	SYS LGC, JJ131, PC	D		44795	49256		8231	8338
131	06	401255006	9		REF	PC	SYS LGC, JJ131, PC	D		49256			8338	
500	01	401276302	7		REF	PC	CKT CD, JJ2, PC ASSY	S			44811			8303
500	02	401276303	5		REF	PC	CKT CD, JJ2, PC ASSY	S		44811	49256		8303	8338
500	03	401276304	3		REF	PC	CKT CD JJ2, PC ASSY	S		49256			8338	
0051 TOTAL LINES														

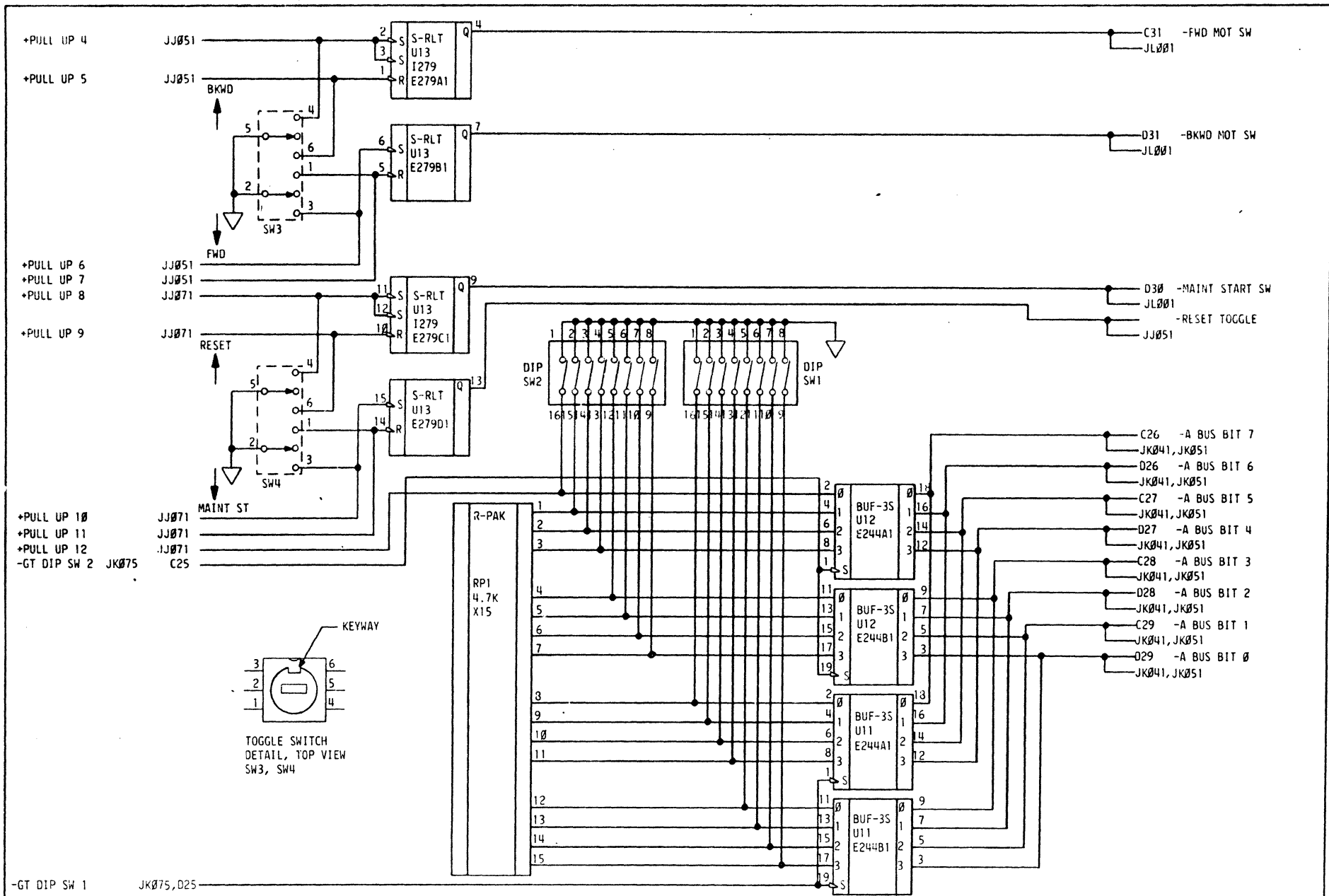


SYSTEM LOGIC, JJ2, AB001, PC				A B C 1
PREV. E.C. 49256	MACH. 1950	CD. LOC.	CD. P.N.	
DATE 9.15.83	VERS. GBL. ROT.	GATE FRAME	CD. TYPE JJ2 PG. P.N. 4012539-B3	



NOTES: UNLESS OTHERWISE SPECIFIED
 1. RESISTORS ARE 1/4W, 5% AND VALUES ARE IN OHMS.
 2. CAPACITORS ARE IN MICROFARADS.

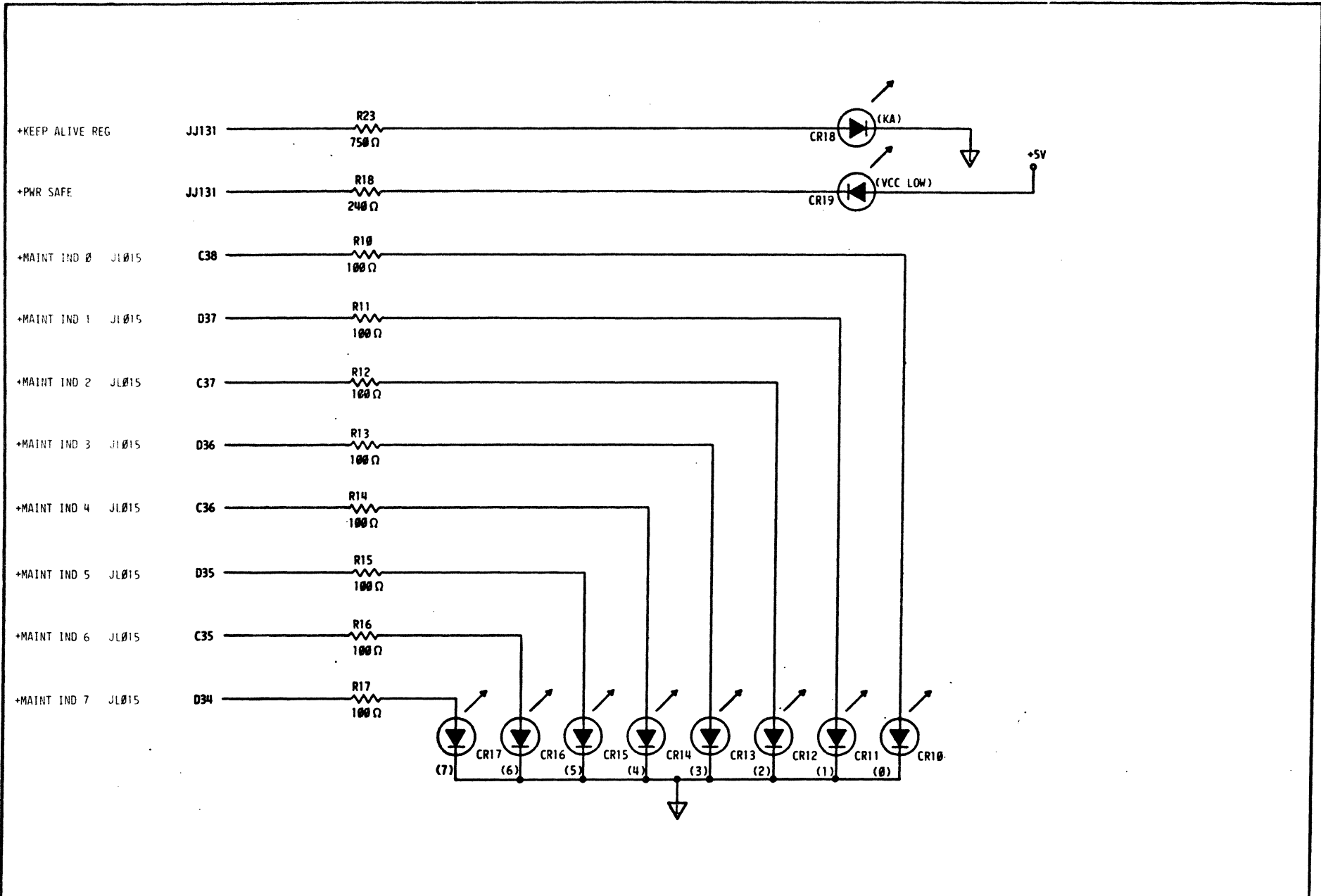
BOT/EOT DRIVE & SENSE			
PRES. E.C.	44795	MACH. VERS.	195B
PREV. E.C.	44717	GBL. ROT.	
DATE	7-12-82	CD. LOC. GATE FRAME	A2
		CD. P.N.	JJ2
		CD. TYPE	JJ2
		PQ. P.N.	4012540-05



NOTES: UNLESS OTHERWISE SPECIFIED

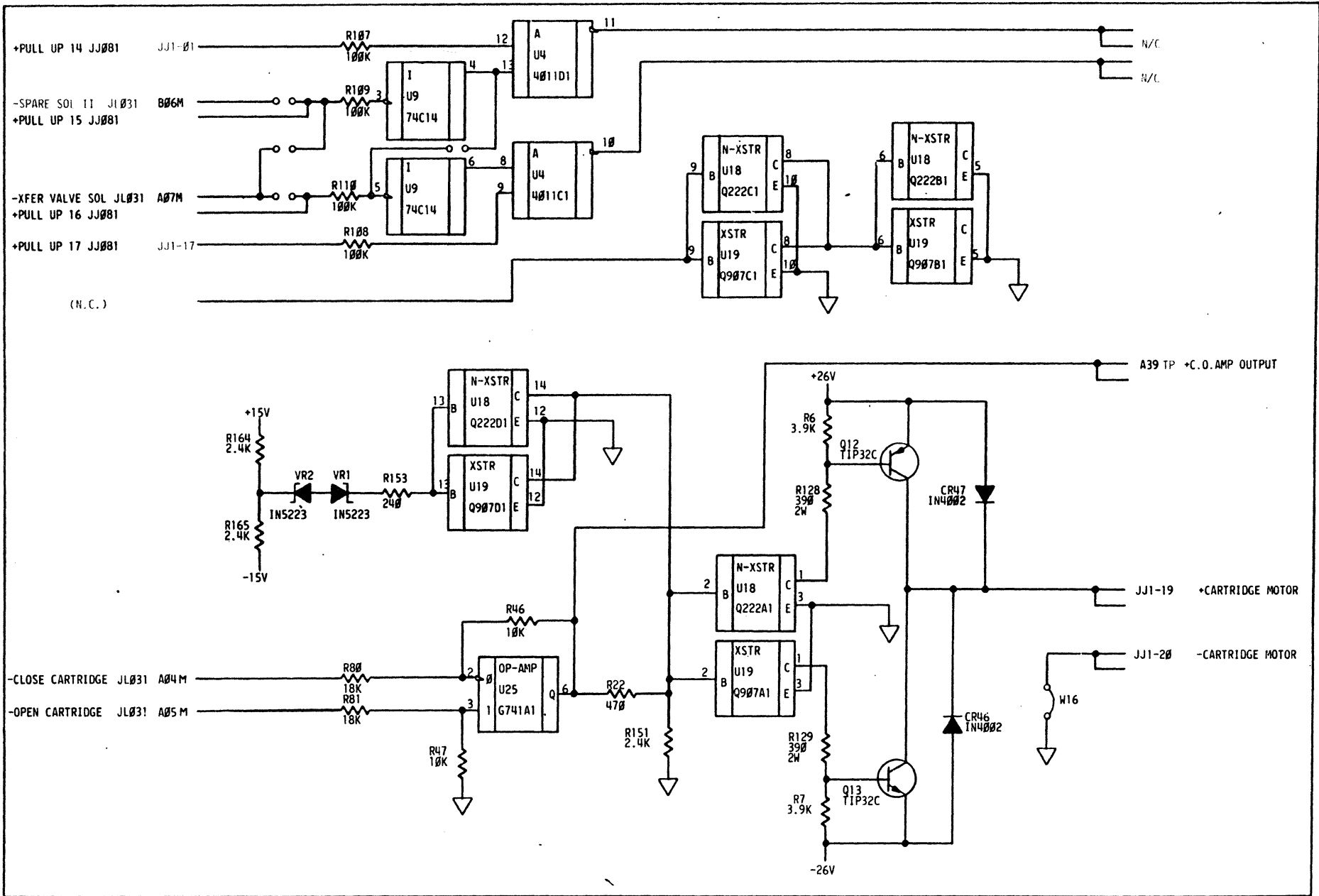
- RESISTORS ARE 1/4W, 5% AND VALUES ARE IN OHMS.
- CAPACITORS ARE IN MICROFARADS.

		MAINT SWITCHES		JJ001	
PRES. E.C. 44795 PREV. E.C. 44628 DATE 7-12-82	MACH. 1950 VERS. GBL. ROT.	CD. LOC. A2 GATE FRAME	CD. P.N. JJ2 CD. TYPE PG. P.N. 4012541-03		



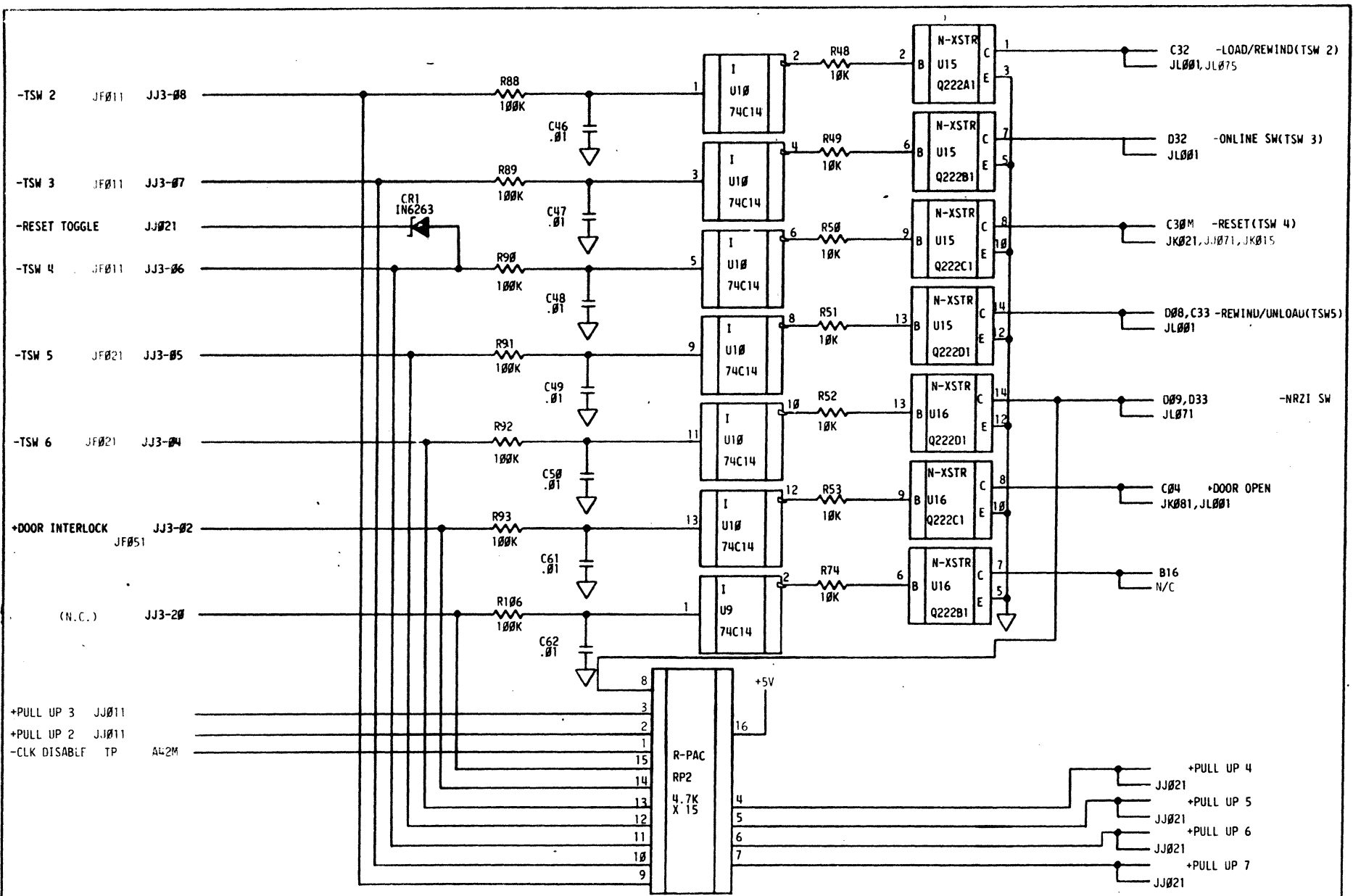
NOTES: UNLESS OTHERWISE SPECIFIED
 1. RESISTORS ARE 1/4W, 5% AND VALUES ARE IN OHMS.
 2. CAPACITORS ARE IN MICROFARADS.

MAINT INDICATORS				J J 0 3 1	
PRES. E.C. PREV. E.C. DATE	44795 44352 7-12-82	MACH. VERS. GBL. ROT.	1950	CD. LOC. GATE FRAME	A2
				CD. P.N. CD. TYPE PG. P.N.	JJ2 JJ2 4012542-02



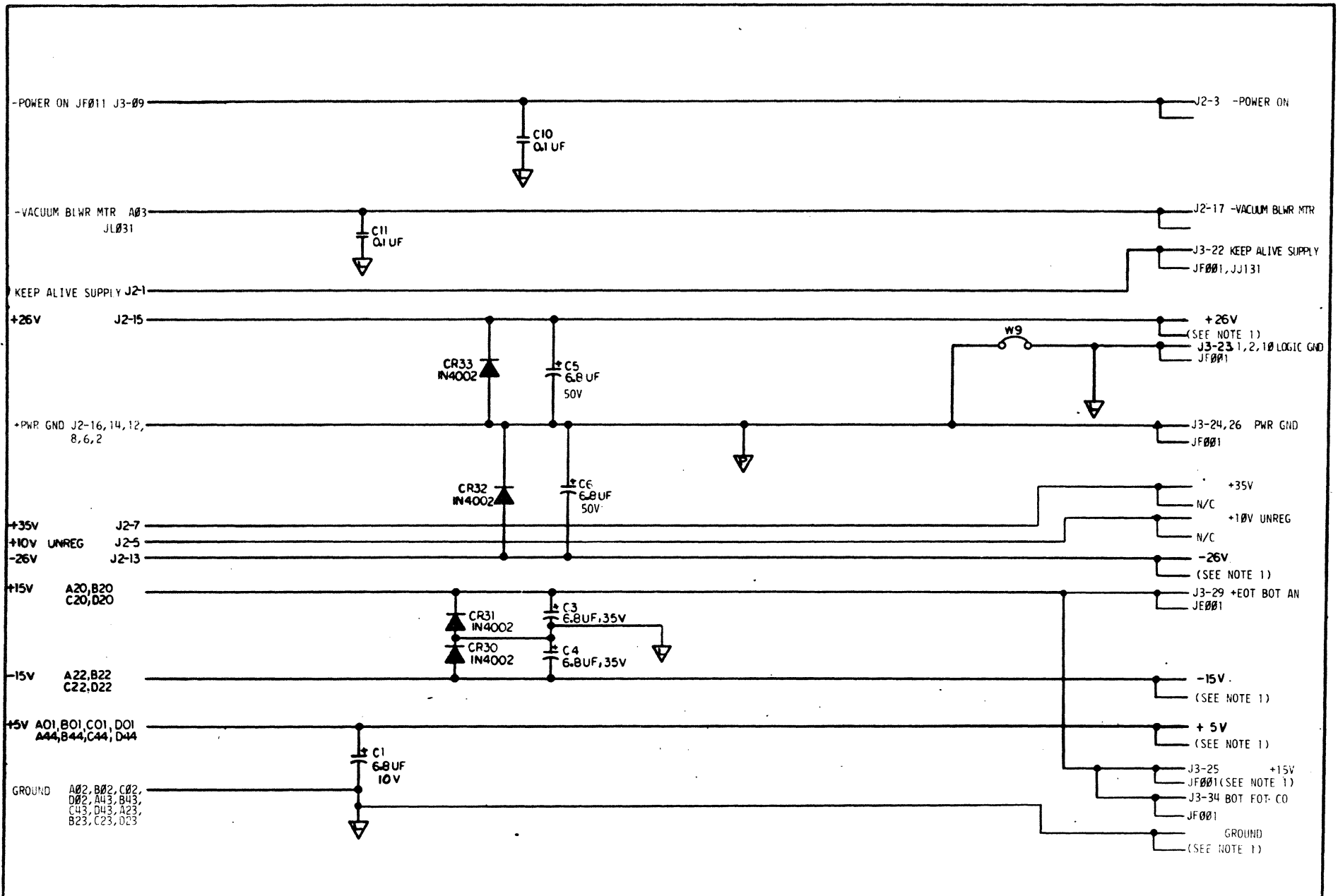
(N.C.)

J J 1 1	NOTES: UNLESS OTHERWISE SPECIFIED 1. RESISTORS ARE 1/4W, 5% AND VALUES ARE IN OHMS. 2. CAPACITORS ARE IN MICROFARADS.	MOTOR DRIVE - CARTRIDGE OPEN		CD. LOC. A2 GATE FRAME	CD. RN. 112 CD. TYPE 4012543 04 PG. RN.	J J 0 4 1 1
	PRES. E.C. 44795 PREV. E.C. 44717 DATE 7-12-82	MACH. 1950 VERS. GBL. ROT.	CD. LOC. A2 GATE FRAME	CD. RN. 112 CD. TYPE 4012543 04 PG. RN.	J J 0 4 1 1	



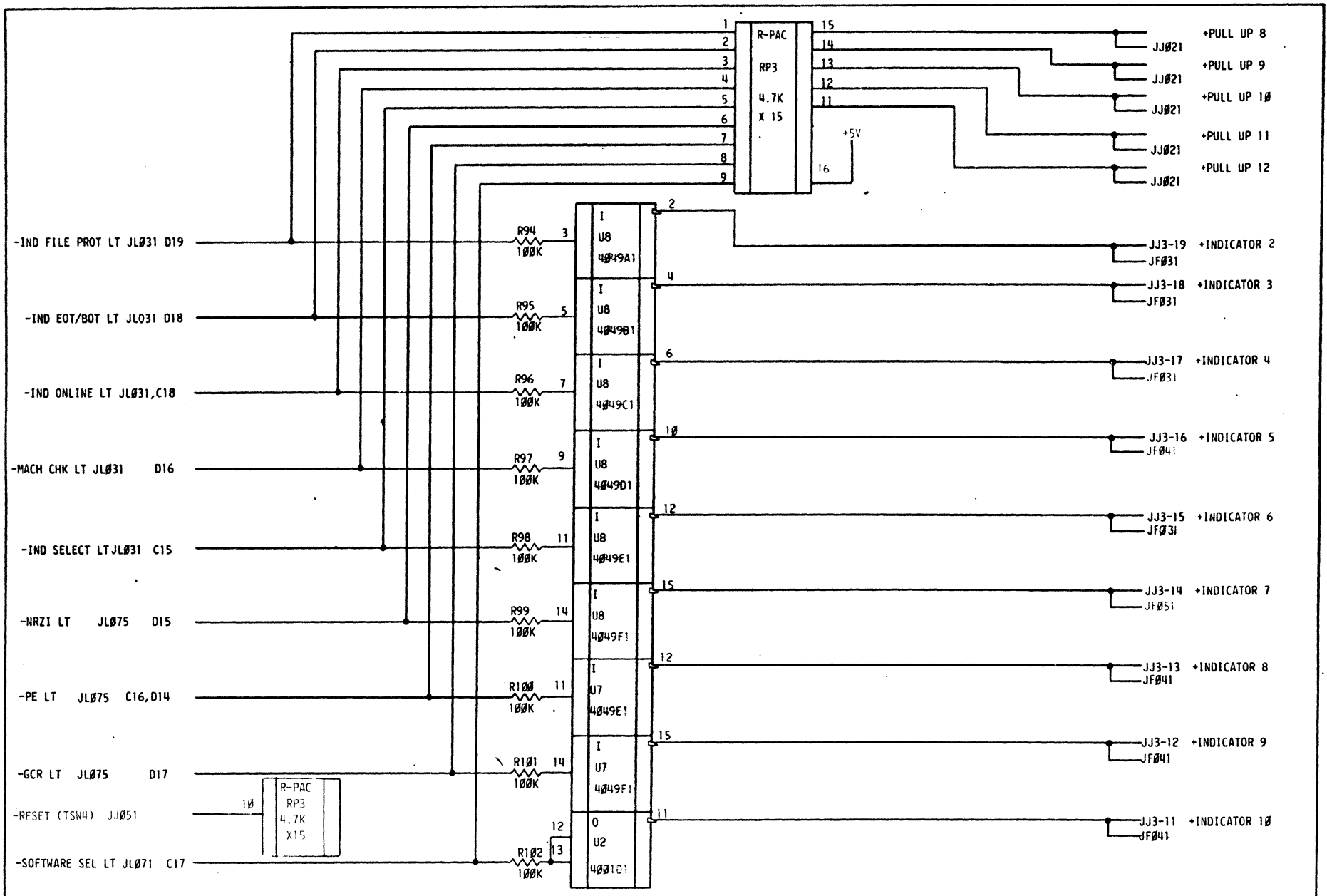
NOTES: UNLESS OTHERWISE SPECIFIED
 1. RESISTORS ARE 1/4W, 5% AND VALUES ARE IN OHMS.
 2. CAPACITORS ARE IN MICROFARADS.

J J 0 5 1	SWITCH BUFFERS				J J 0 5 1
	PRE. E.C. DATE	44795 44717 7-12-82	MACH. 1950 VERS. GBL. ROT.	CD. LOC. A2 GATE FRAME	
	CD. P.N. CD. TYPE PG. P.N.	JJ 2 4012544-04			



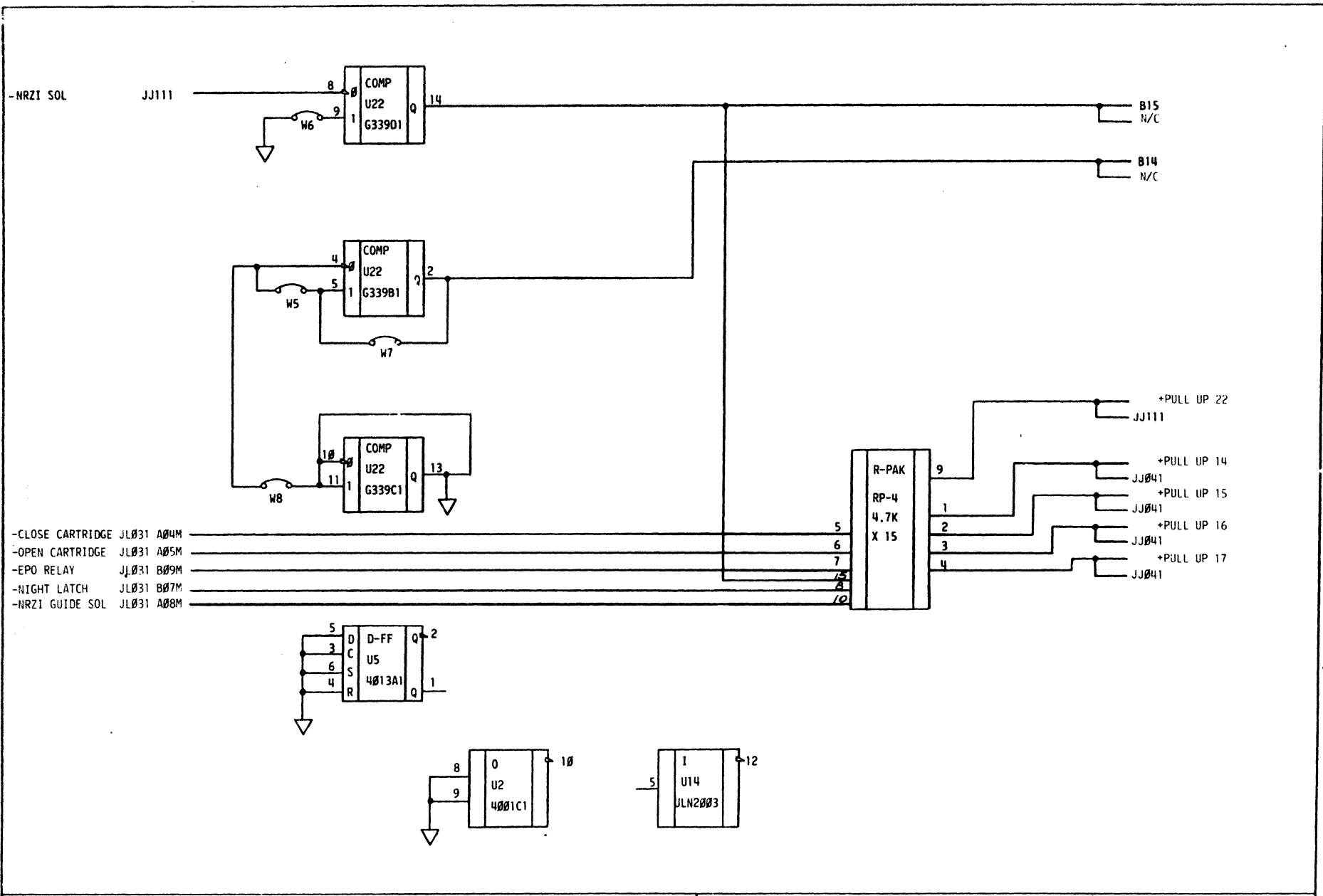
NOTES: UNLESS OTHERWISE SPECIFIED
 1. THESE LINES ARE CONNECTED TO INTERNAL POWER AND GROUND PLACES.
 2. RESISTORS ARE 1/4W, 5% AND VALUES ARE IN OHMS.
 3. CAPACITORS ARE IN MICROFARADS.

POWER INTERCON		CD. LOC. A2 GATE FRAME	CD. P.N. CD. TYPE JJ2 PG. P.N. 4012545-04	J J 0 6 1
PREV. E.C. 44811	VERS. 1950			
DATE 9-29-82	GBL. ROT.			



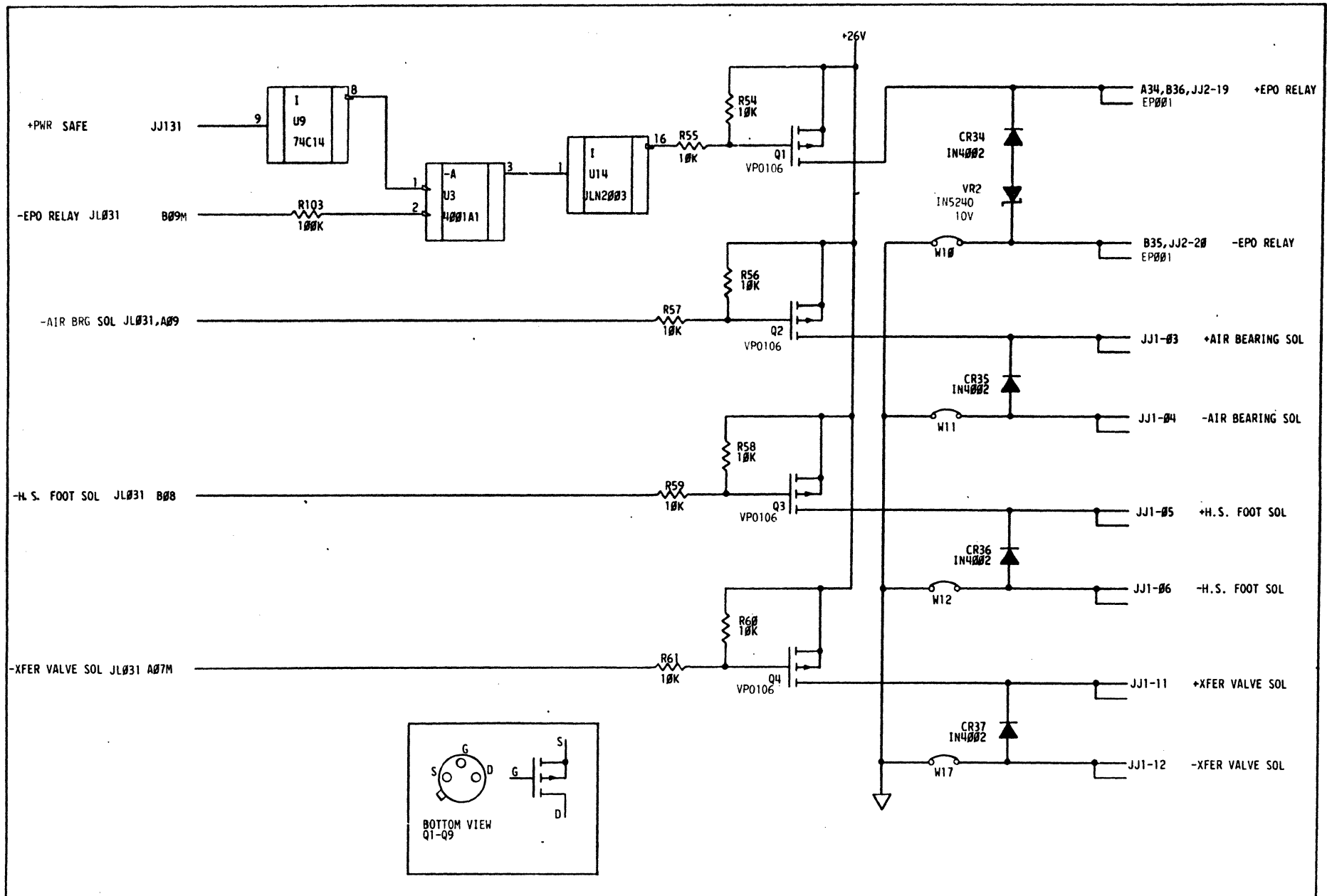
NOTES: UNLESS OTHERWISE SPECIFIED
 1. RESISTORS ARE 1/4W, 5% AND VALUES ARE IN OHMS.
 2. CAPACITORS ARE IN MICROFARADS.

LAMP BUFFERS			
REV. E.C.	44795	MACH. 1950	CD. LOC. A2
PREV. E.C.	44717	VERS.	GATE
DATE	7-12-82	GBL. ROT.	FRAME
			CD. P.N. JJ2
			PG. PN. 4012546-04



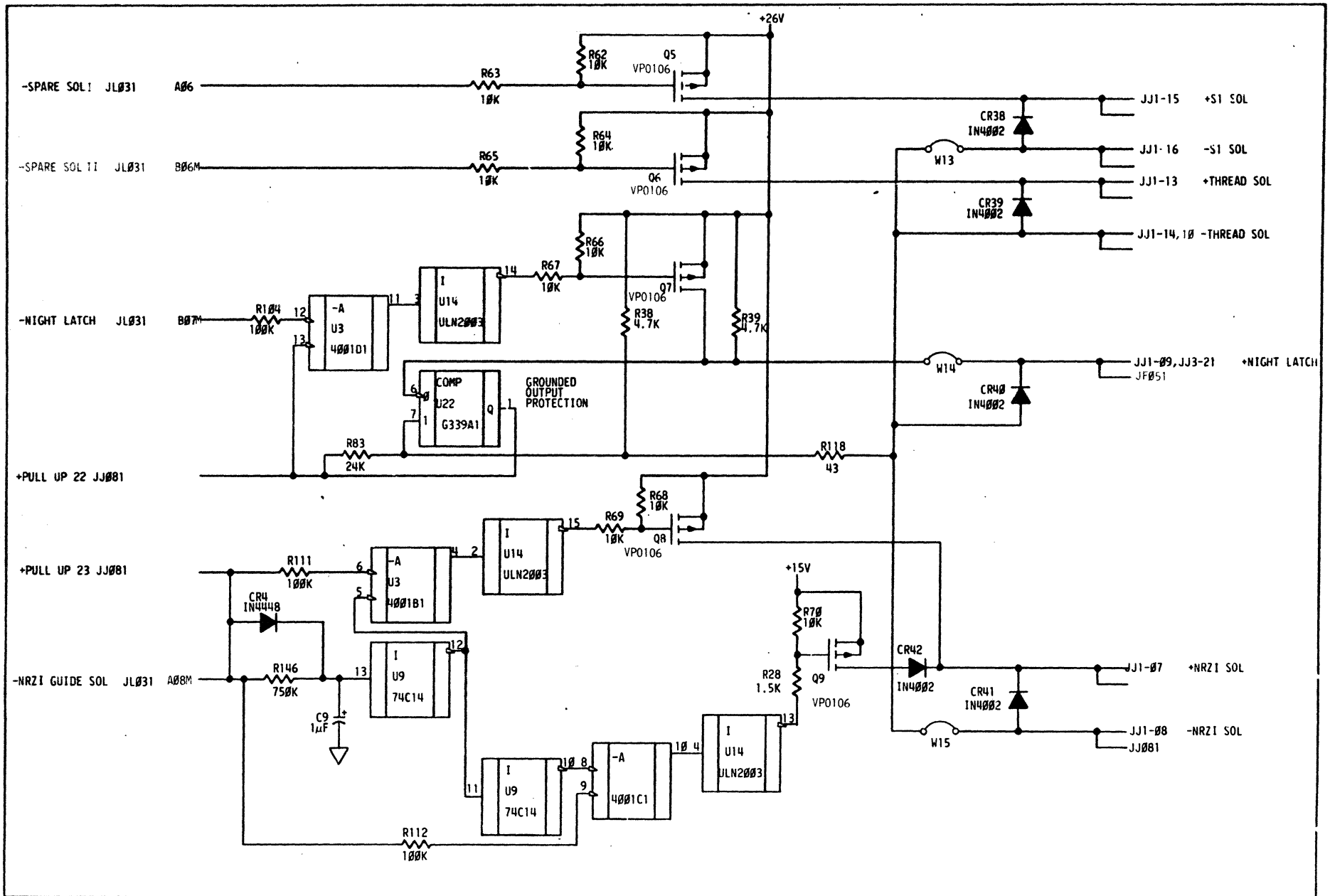
- CLOSE CARTRIDGE JL031 A04M
- OPEN CARTRIDGE JL031 A05M
- EPO RELAY JL031 B09M
- NIGHT LATCH JL031 B07M
- NRZI GUIDE SOL JL031 A08M

1 2 3 4 5 6 7 8 9 10 11 12 13 14 15 16 17 18 19 20 21 22 23 24 25 26 27 28 29 30 31 32 33 34 35 36 37 38 39 40 41 42 43 44 45 46 47 48 49 50 51 52 53 54 55 56 57 58 59 60 61 62 63 64 65 66 67 68 69 70 71 72 73 74 75 76 77 78 79 80 81 82 83 84 85 86 87 88 89 90 91 92 93 94 95 96 97 98 99 100	NOTES: UNLESS OTHERWISE SPECIFIED 1. RESISTORS ARE 1/4W, 5% AND VALUES ARE IN OHMS. 2. CAPACITORS ARE IN MICROFARADS.	PULL UPS, SPARE COMPONENTS	CD. LOC. A2 GATE FRAME	CD. P.N. CD. TYPE JJ2 PG. RN 4012547-04	JJ JJ 8 1
	PRES. E.C. 44795 PREV. E.C. 44717 DATE 7-12-82	MACH. 1950 VERS. GBL. ROT.	CD. P.N. CD. TYPE JJ2 PG. RN 4012547-04	JJ JJ 8 1	
	GAF Polytrace 033	JJ JJ 8 1			



NOTES: UNLESS OTHERWISE SPECIFIED
 1. RESISTORS ARE 1/4W, 5% AND VALUES ARE IN OHMS.
 2. CAPACITORS ARE IN MICROFARADS.

SOL DRIVERS 1			
PRES. E.C. 44811	MACH. 1950	CD. LOC. A2	CD. P.N. J.12
PREV. E.C. 44795	VERS. GBL. ROT.	GATE FRAME	CD. TYPE J.12
DATE 9-30-82			PG. P.N. 4012540-05



NOTES: UNLESS OTHERWISE SPECIFIED

1. RESISTORS ARE 1/4W, 5% AND VALUES ARE IN OHMS.
2. CAPACITORS ARE IN MICROFARADS.

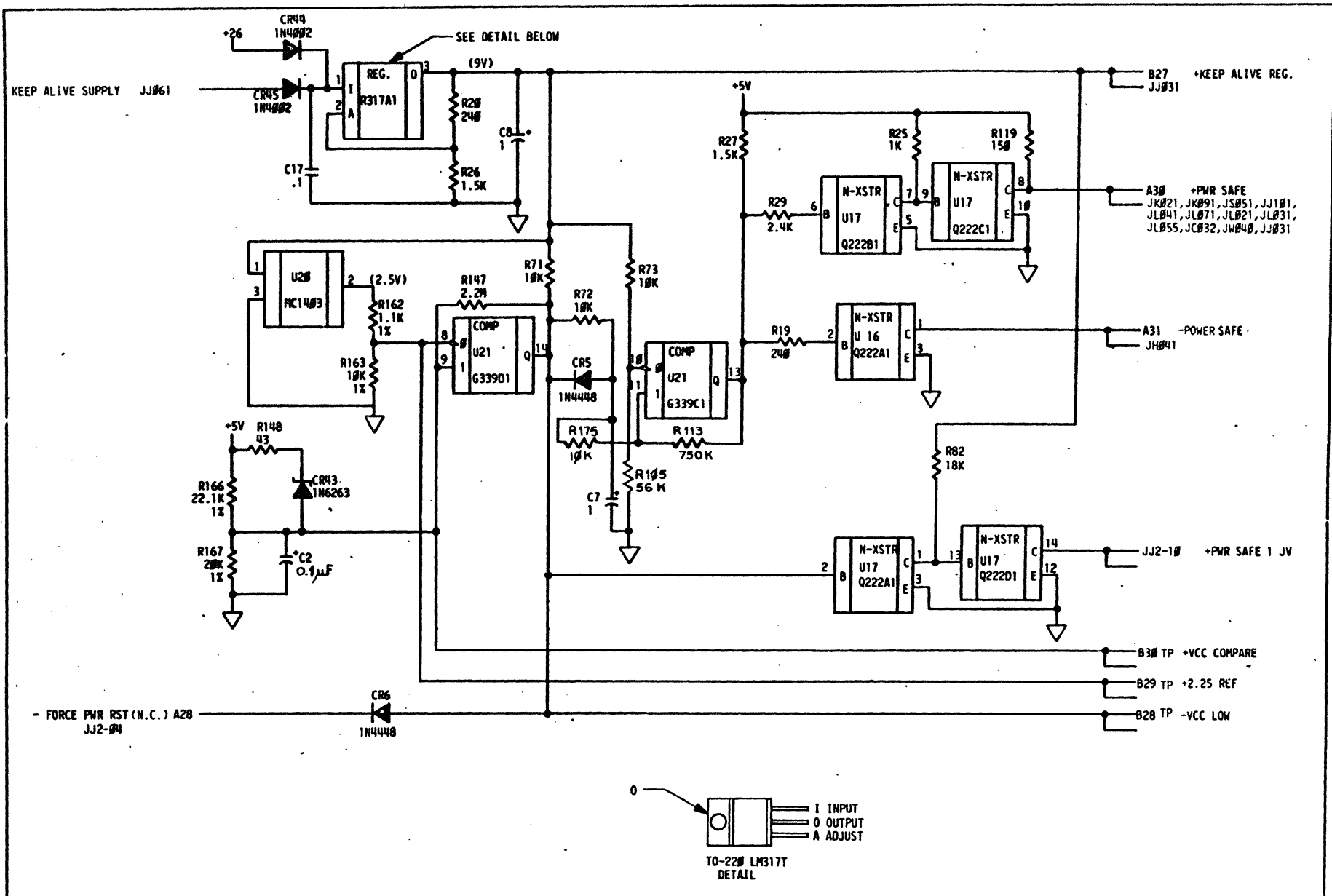
SOL DRIVERS 2

PREV. E.C. 44811
 PREV. E.C. 44795
 DATE 2-20-84

MACH. 1950
 VERS.
 GBL. ROT.

CD. LOC. A2
 GATE
 FRAME

CD. P.N.
 CD. TYPE JJ2
 PG. P.N. 4012549-05



NOTES: UNLESS OTHERWISE SPECIFIED
 1. RESISTORS ARE 1/4W, 5% AND VALUES ARE IN OHMS.
 2. CAPACITORS ARE IN MICROFARADS.

POWER SAFE

PREV. E.C. 49256
 PREV. E.C. 44795
 DATE 9-15-83

MACH. 1950
 VERS.
 GBL. ROT.

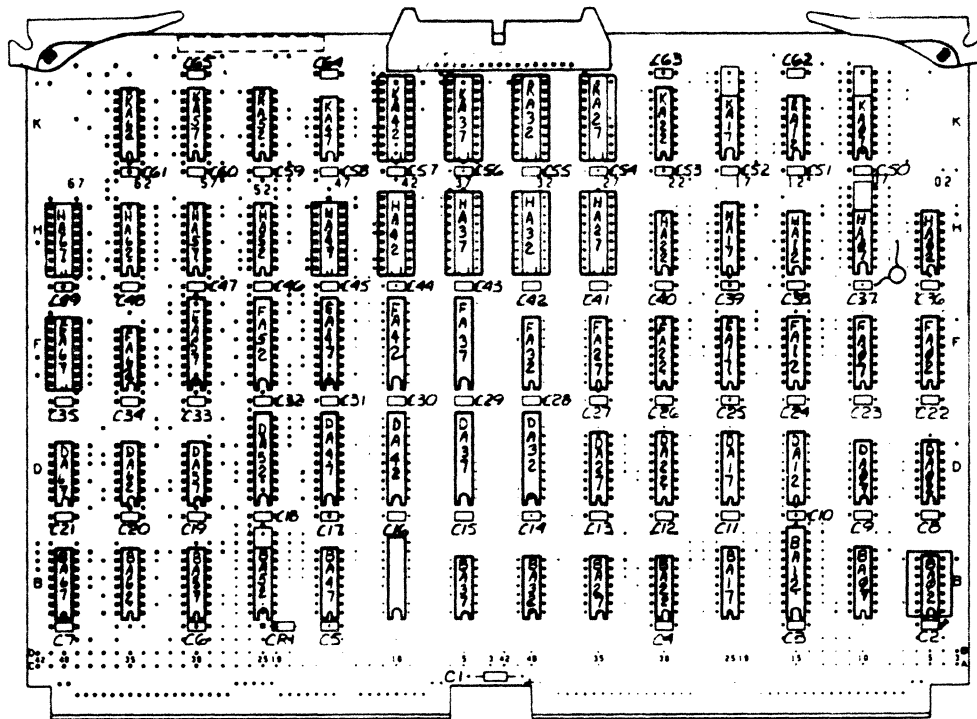
CD. LOC. A2
 GATE
 FRAME

CD. P.N. JJ2
 CD. TYPE
 PG. P.N. 4012550-D6

ASSEMBLY PARTS LIST

PRINT DATE	PAGE	FIG. NO.
11-18-82	1	315

DIV	ASSEMBLY NUMBER	CD	REV.	DWG.	DESCRIPTION	MC	STATUS	STATUS DATE	FILE DATE				
0500	401552305	5	F	N	SYS LGC GP,JK,43105311,PC	N	REL	11-10-82	1950 11-16-82				
T/FIND NO.	LI	PART NUMBER	CD	QTY	U/M	PART DESCRIPTION	MC	YLD	E.C. NO. IN	E.C. NO. OUT	S/N	WK IN	WK OUT
000	01	401552405	3	REF	PC	CD LGC,AB001,JK,PC	D						
001	01	402352701	5	REF	PC	SYS LGC,JK001,PC	D						
002	01	402352801	3	REF	PC	SYS LGC,JK002,PC	D						
003	01	402352901	1	REF	PC	SYS LGC,JK003,PC	D						
011	01	402353001	9	REF	PC	SYS LGC,JK011,PC	D						
015	01	402353101	7	REF	PC	SYS LGC,JK015,PC	D						
021	01	402353201	5	REF	PC	SYS LGC,JK021,PC	D						
031	01	402353301	3	REF	PC	SYS LGC,JK031,PC	D						
041	01	402353401	1	REF	PC	SYS LGC,JK041,PC	D						
051	01	402353501	8	REF	PC	SYS LGC,JK051,PC	D						
061	01	402353601	6	REF	PC	SYS LGC,JK061,PC	D						
065	01	402353701	4	REF	PC	SYS LGC,JK065,PC	D						
071	01	402353801	2	REF	PC	SYS LGC,JK071,PC	D						
075	01	402353901	0	REF	PC	SYS LGC,JK075,PC	D						
081	01	402354001	8	REF	PC	SYS LGC,JK081,PC	D						
091	01	402354101	6	REF	PC	SYS LGC,JK091,PC	D						
101	01	402354201	4	REF	PC	SYS LGC,JK101,PC	D						
111	01	402354301	2	REF	PC	SYS LGC,JK111,PC	D						
121	01	402354401	0	REF	PC	SYS LGC,JK121,PC	D						
131	01	402354501	7	REF	PC	SYS LG,JKI31,PC	D						
500	01	43105311	5	REF	PC	CKT CD,JK,PC ASSY U CODE	S						



JK CARD, MICROPROGRAM CONTROL

RES. E.C. 44815
 PREV. E.C. 44759
 DATE 11-12-82

MACH. VERS.
 OBL. ROT.

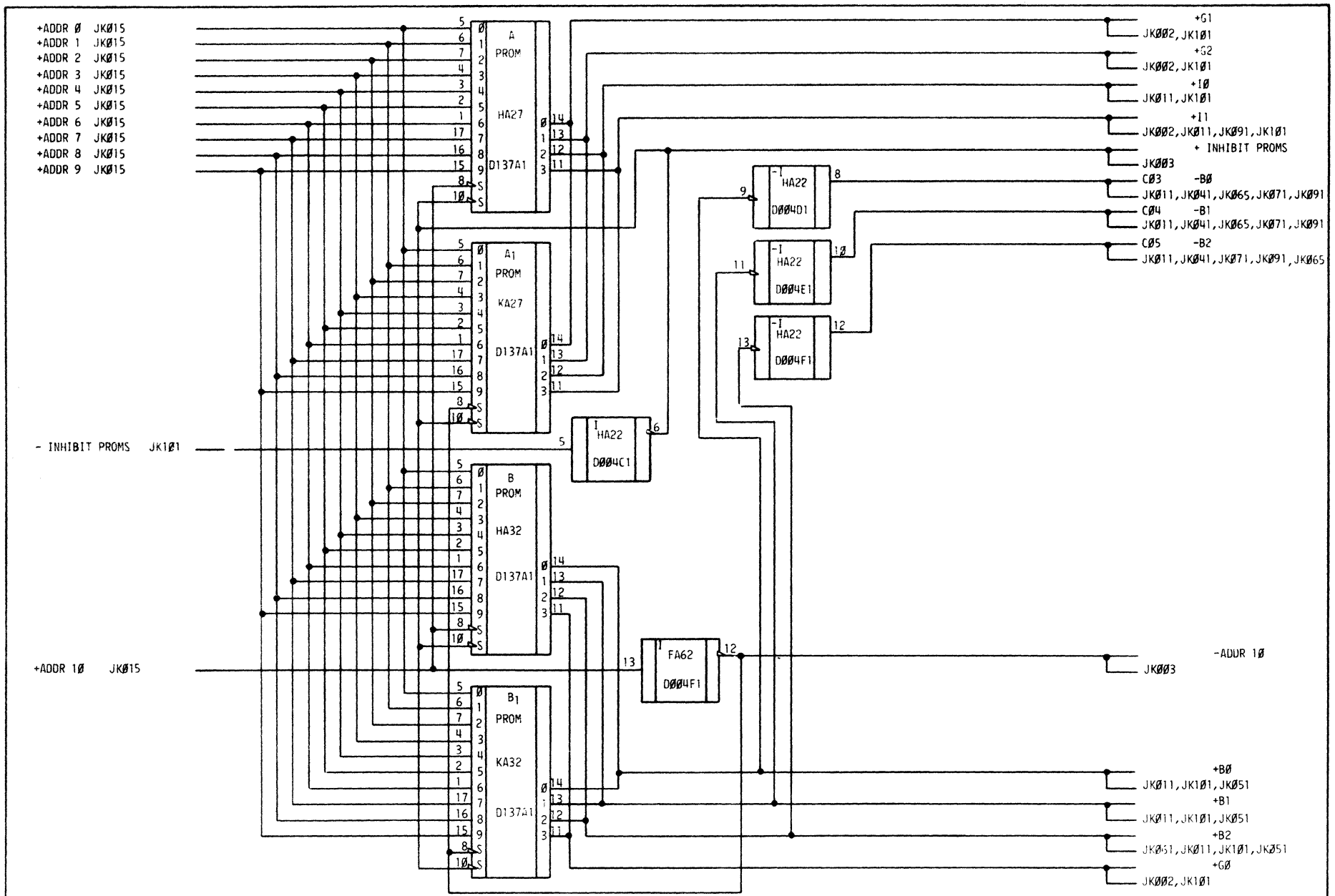
CD. LOC. GATE FRAME

E2 1A

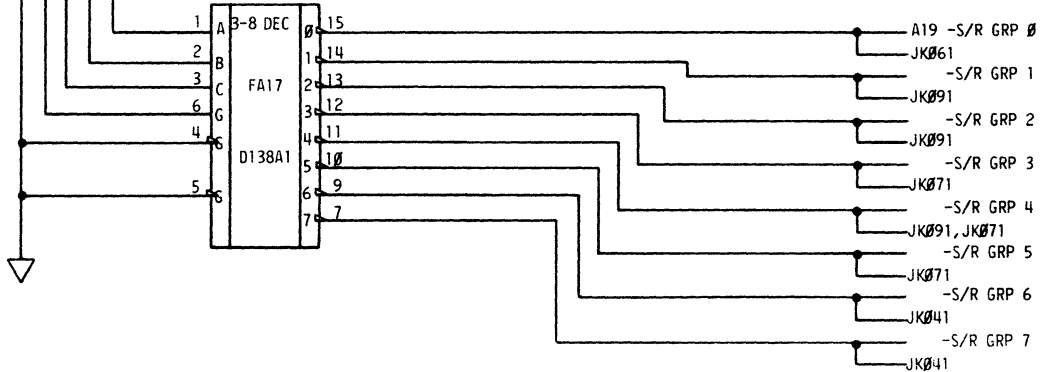
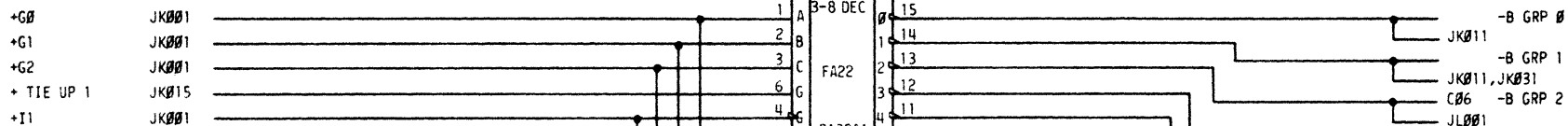
CD. R.N. 481524-05
 CD. TYPE JK
 PG. RN. 481524-05

A
 0000

A
 0000



J K Ø Ø 1	PROGRAM STORE 1, GROUP DECODE				J K Ø Ø 1
	PRES. E.C.	44786	MACH.	195Ø	
	PREV. E.C.	NONE	VERS.		
	DATE	7-7-82	GBL. ROT.		
		CD. LOC.	E2	CD. P.N.	
		GATE	1A	CD. TYPE	JK
		FRAME		PG. P.N.	4Ø23527-Ø1

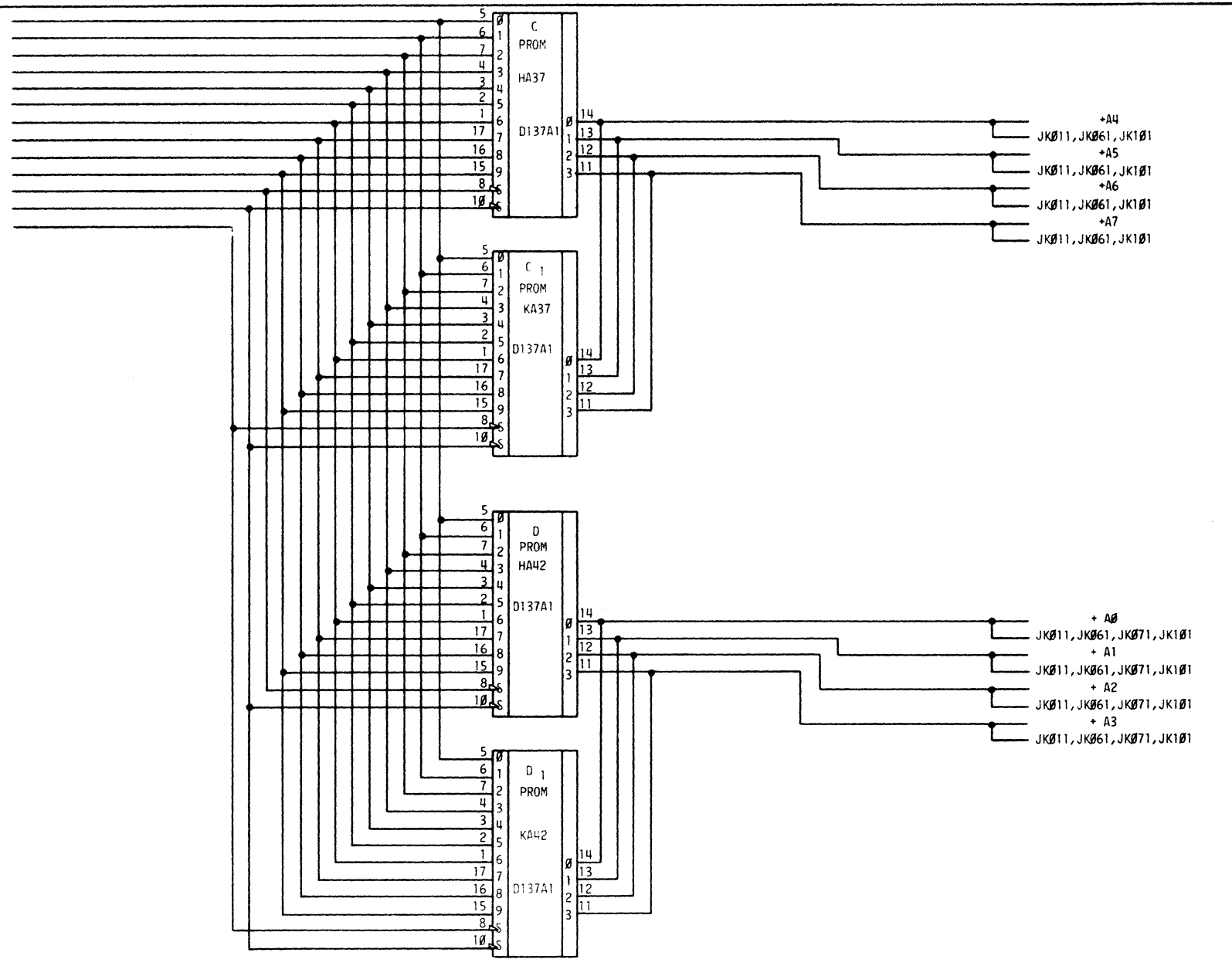


JK
00
02

GAF Polytrace 033

PROGRAM STORE 1, GROUP DECODE				JK 00 02			
PRES. E.C.	44786	MACH.	1950	CD. LOC.	E2	CD. PN.	JK
PREV. E.C.	NONE	VERS.		GATE	1A	CD. TYPE	JK
DATE	7-7-82	GBL. ROT.		FRAME		PG. PN.	4023528-01

- + ADDR 0 JK015
- + ADDR 1 JK015
- + ADDR 2 JK015
- + ADDR 3 JK015
- + ADDR 4 JK015
- + ADDR 5 JK015
- + ADDR 6 JK015
- + ADDR 7 JK015
- + ADDR 8 JK015
- + ADDR 9 JK015
- + ADDR 10 JK015
- + INHIBIT PROMS JK001
- ADDR 10 JK001

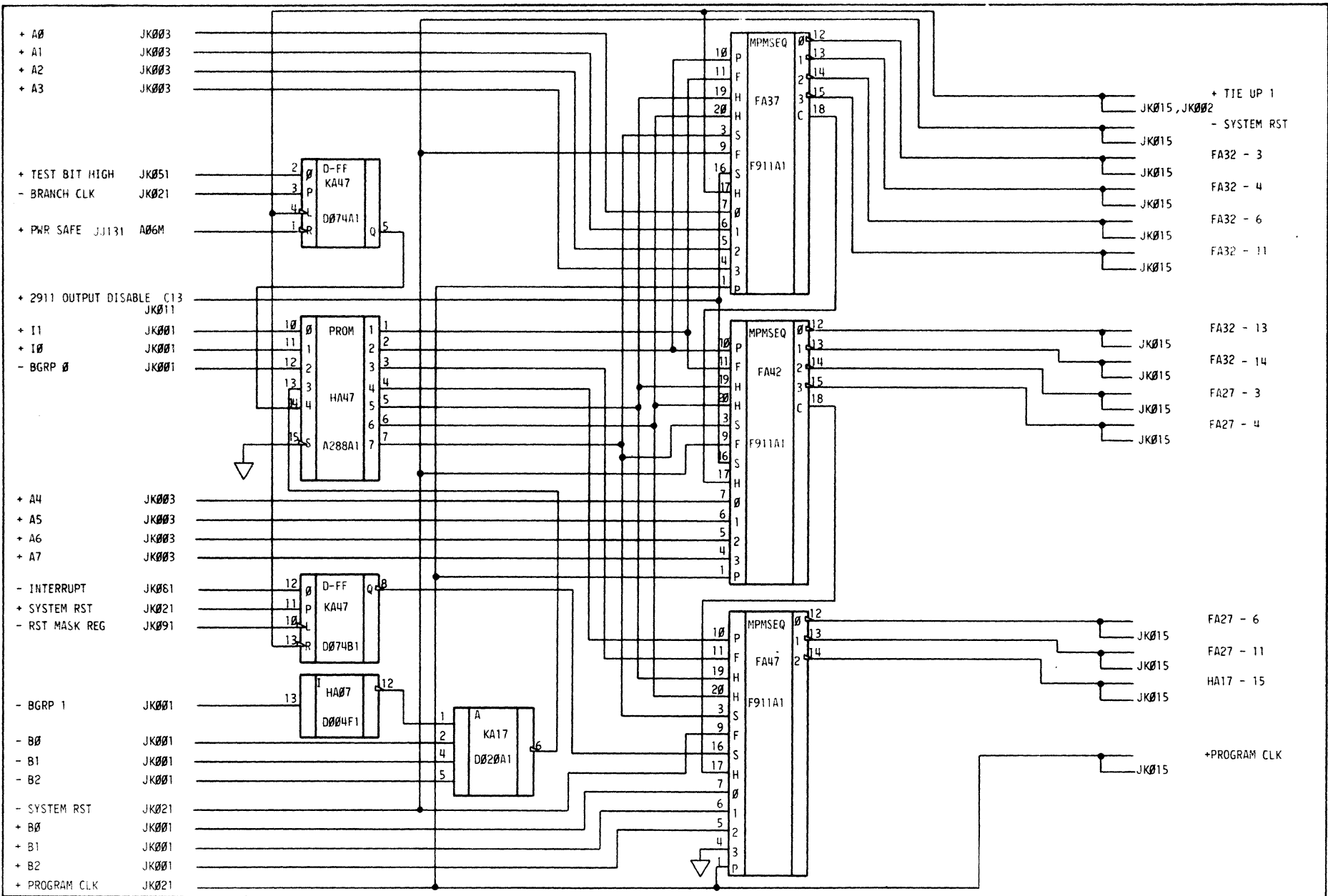


JK003

PROGRAM STORE 2

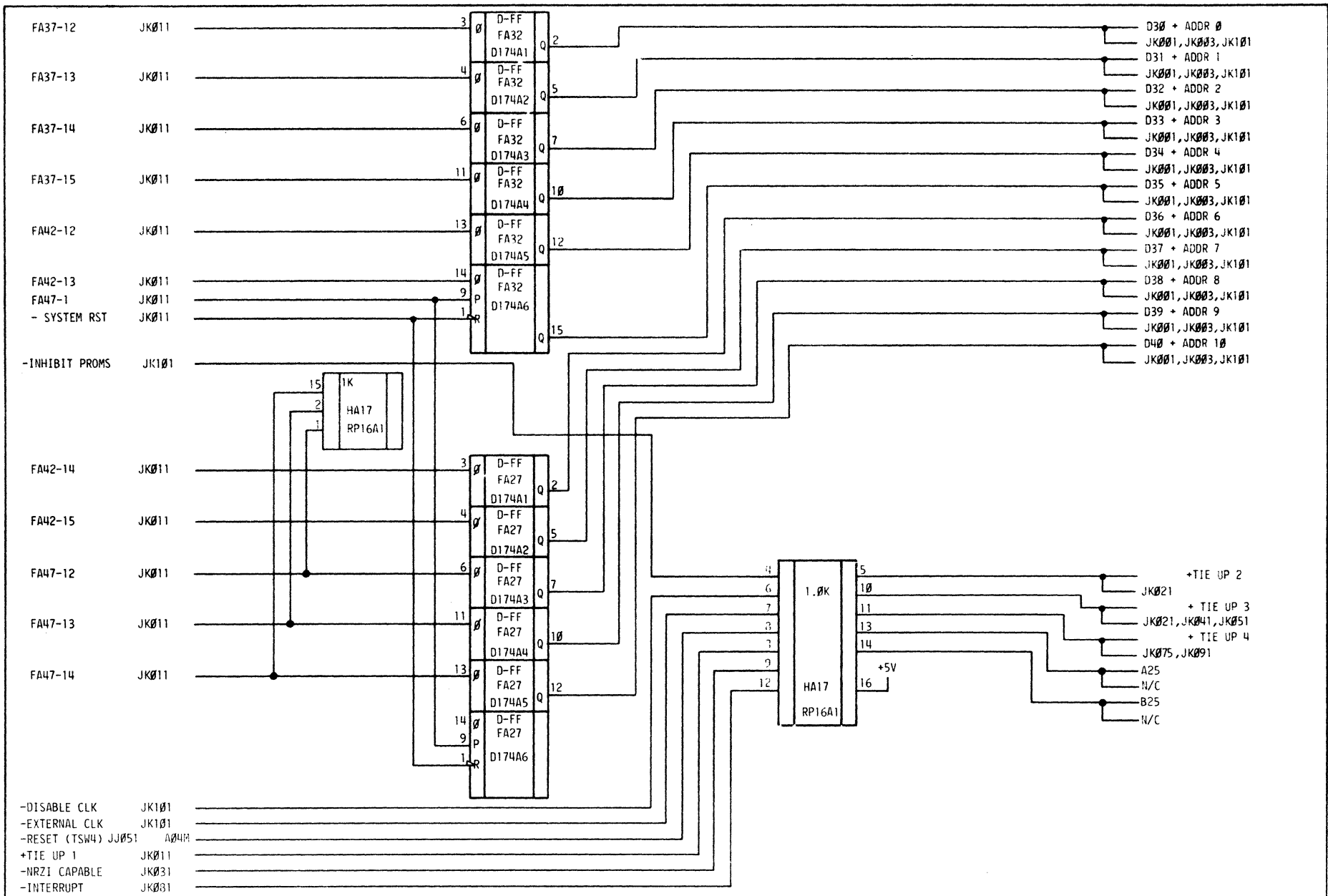
PRES. E.C.	44786	MACH.	1950	CD. LOC.	E2	CD. P.N.	JK
PREV. E.C.	NONE	VERS.		GATE	IA	CD. TYPE	JK
DATE	7-7-82	GBL. ROT.		FRAME		PG. P.N.	4023529-01

JK003

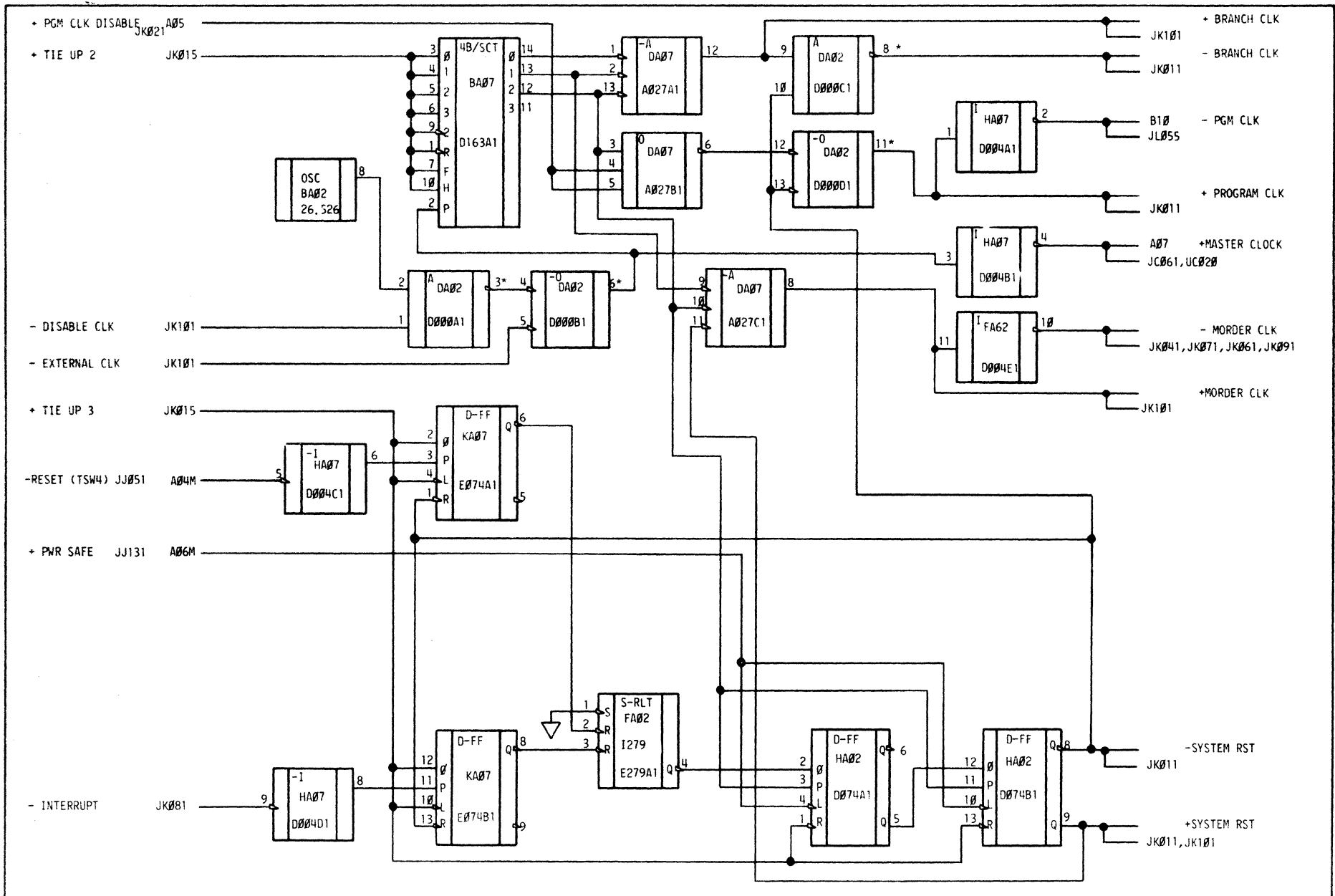


J
K
0
1
1

NEXT ADDRESS GENERATION				J K 0 1 1
PRES. E.C.	44786	MACH. VERS.	1950	CD. LOC. E2
PREV. E.C.	NONE	GBL. ROT.		CD. R.N. JK
DATE	7-7-82			PG. R.N. 4023530-01
				CD. TYPE 1A



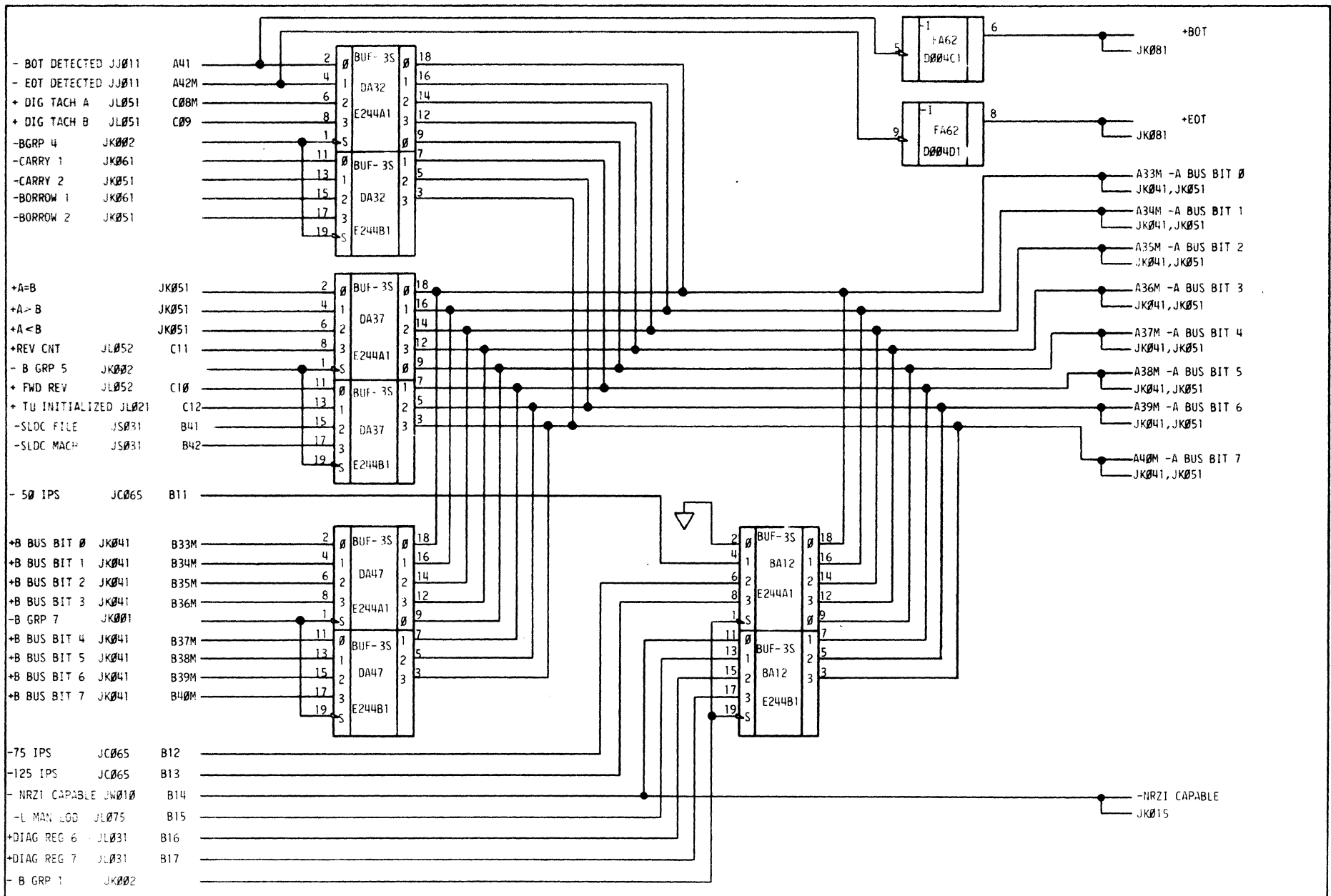
JK 015	NEXT ADDRESS GENERATION				JK 015
	PRES. E. C. PREV. E. C. DATE	44786 NONE 7-7-82	MACH. 1950 VERS. GBL. ROT.	CD. LOC. E2 GATE 1A FRAME	

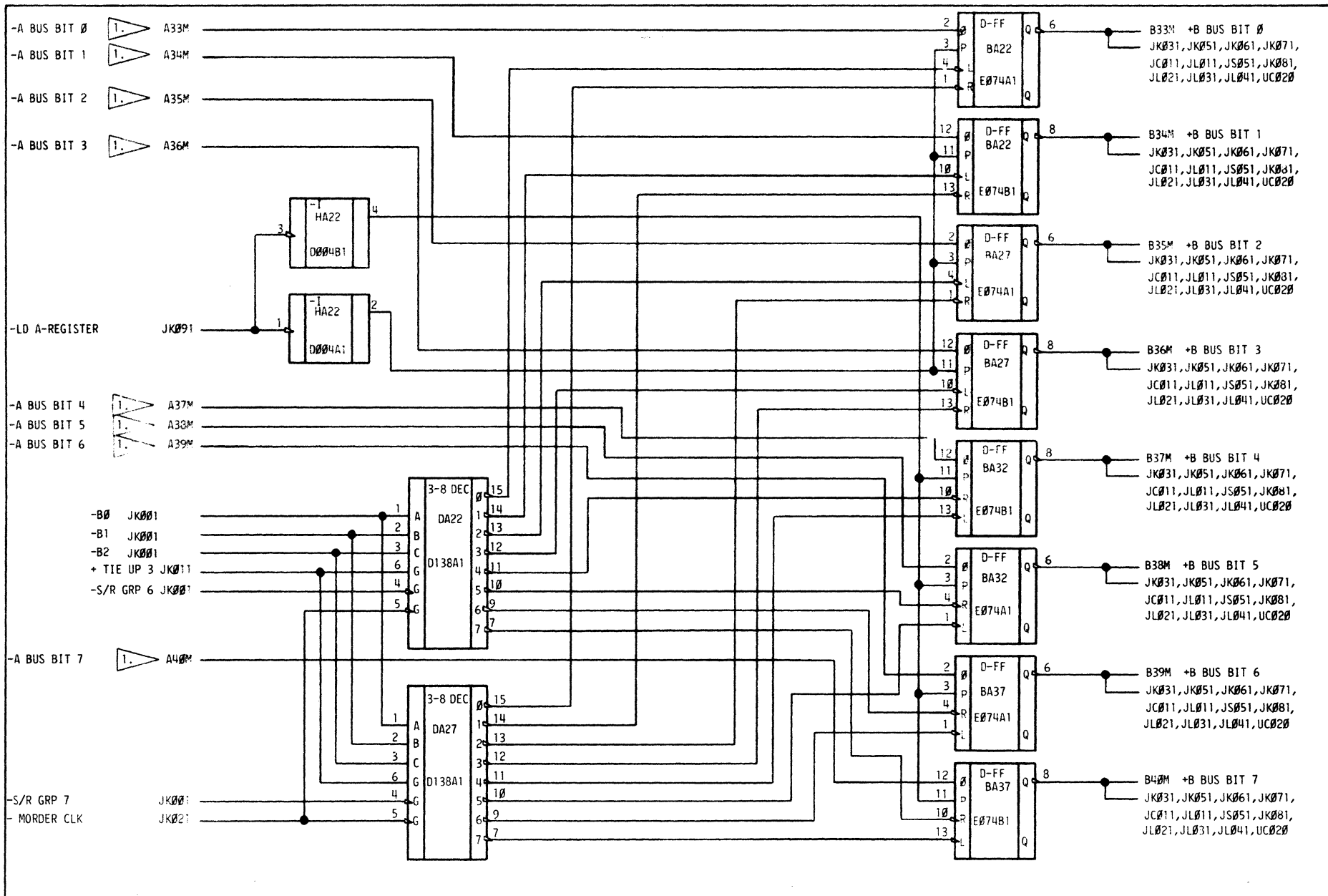


* NOTE: WIRES ON DA02 MODULE MUST BE AS SHOWN ON LOGIC.

CLOCKS AND RESETS

PRES. E.C. PREV. E.C. DATE	44786 NONE 7-7-82	MACH. VERS. GBL. ROT.	1950 	CD. LOC. GATE FRAME	E2 1A	CD. P.N. CD. TYPE PG. PN.	JK 4023532-01	JK 021
----------------------------------	-------------------------	-----------------------------	------------------	---------------------------	----------	---------------------------------	------------------	-----------



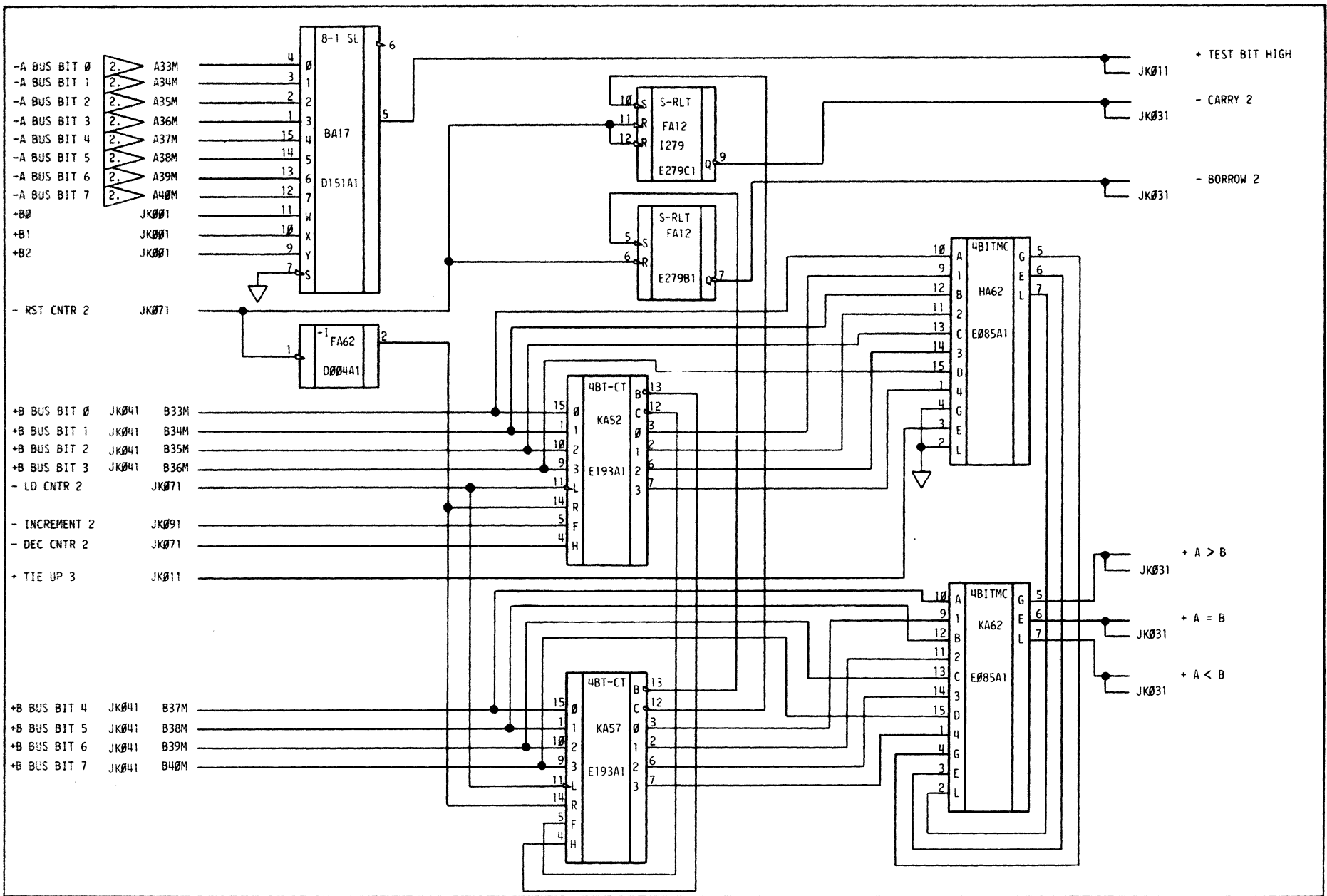


1. THE A-BUS IS A MULTIPLE SOURCED TRI-STATE BUS.
 SOURCES ARE SHOWN ON LOGIC PAGES JK031, JK061, JK071, JK081, JK111, JK251, JL021, JL001,
 JL210, JC021, UC011.

PRES. E.C.		MACH.		CD. LOC.		CD. P.N.	
NONE	44786	1950	E2	E2	1A	JK	4023534-01
DATE	7-7-82	GBL. ROT.		FRAME		PG. P.N.	4023534-01

JK
0
4
1

JK
0
4
1



2. THE A-BUS IS A MULTIPLE SOURCED TRI-STATE BUS.
SEE NOTE 1. PAGE JK041

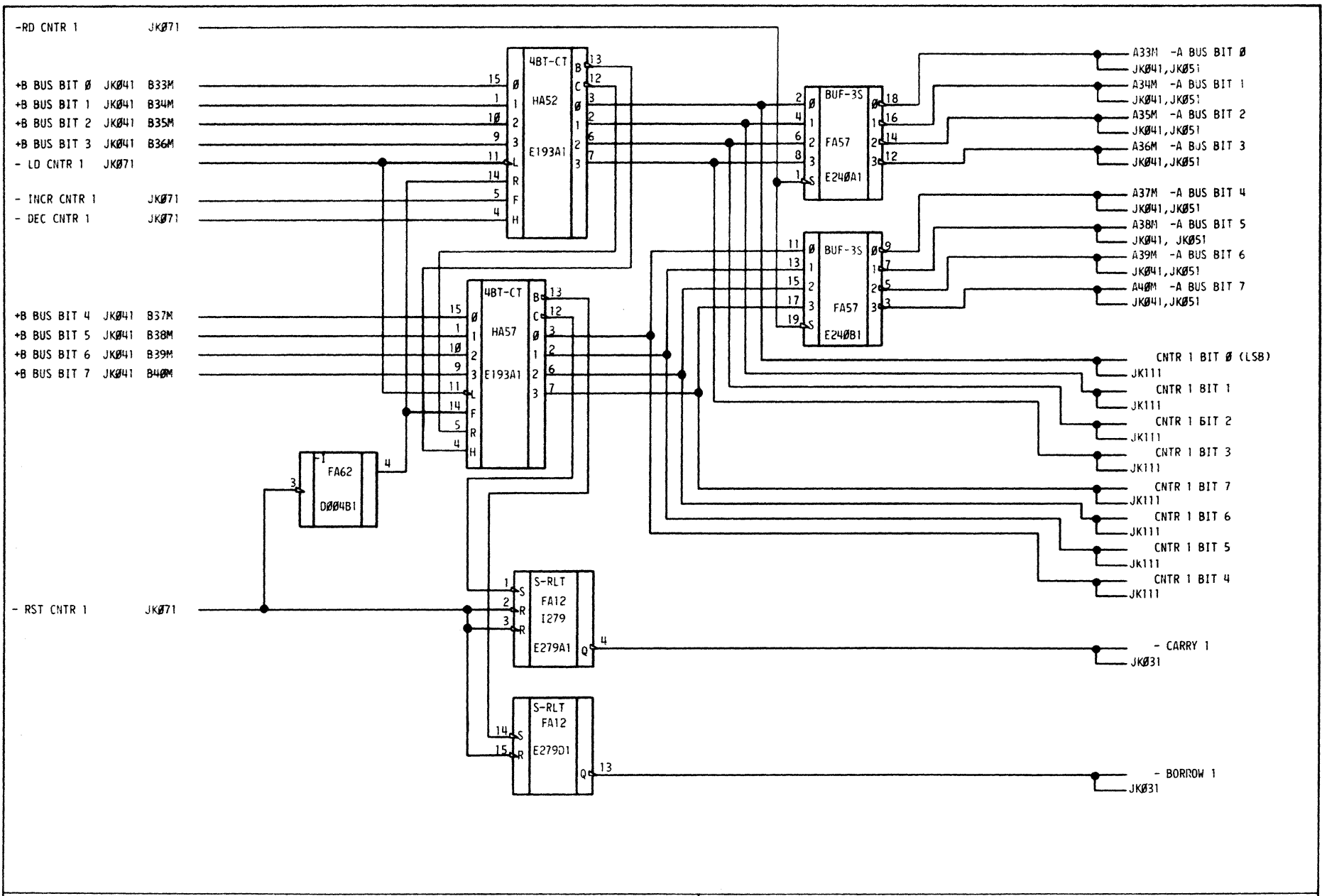
COUNTER 2, COMPARATOR

PRES. E.C. 44786
PREV. E.C. NONE
DATE 7-7-82

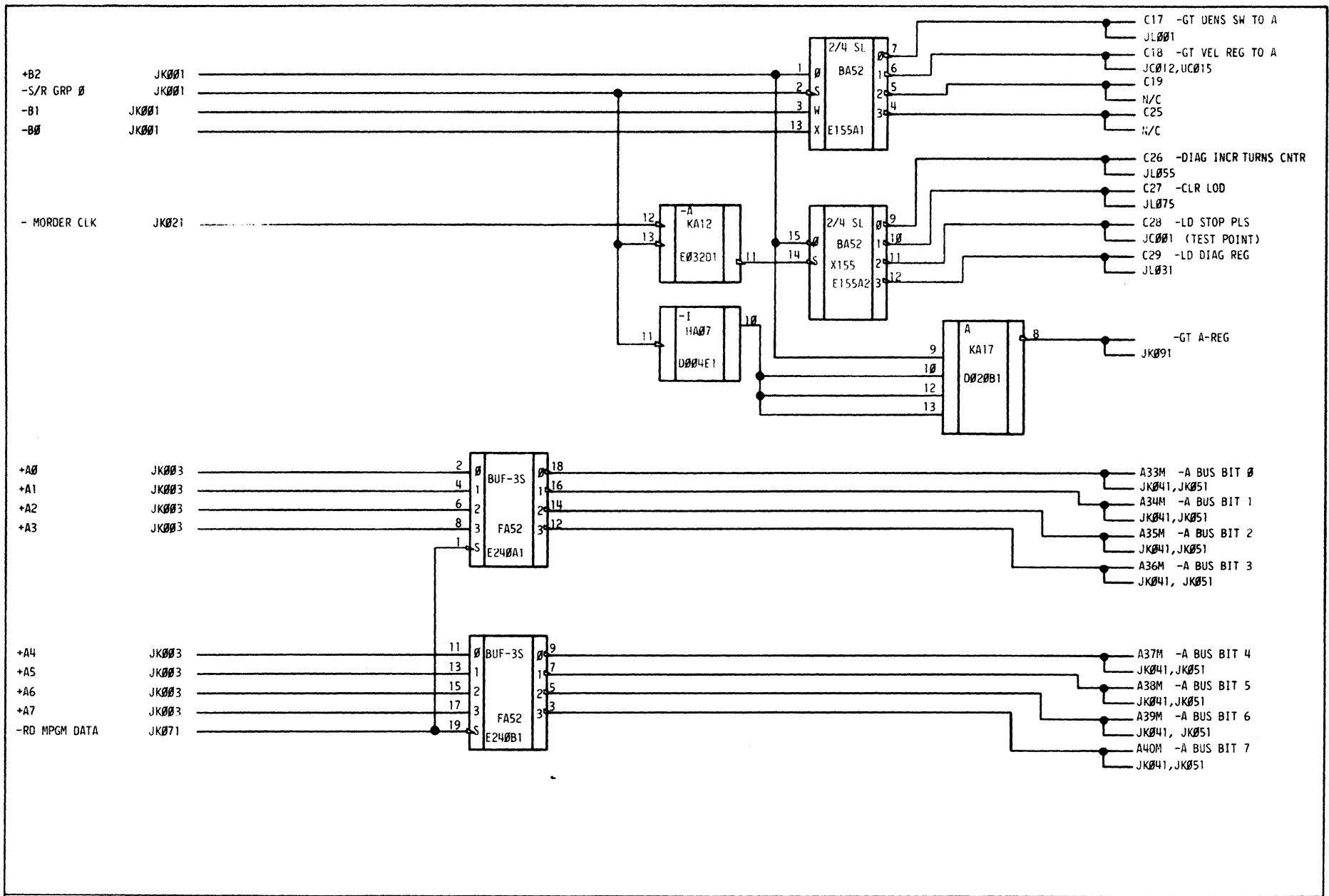
MACH. 1950
VERS. GBL. ROT.

CD. LOC. E2
GATE 1A
FRAME

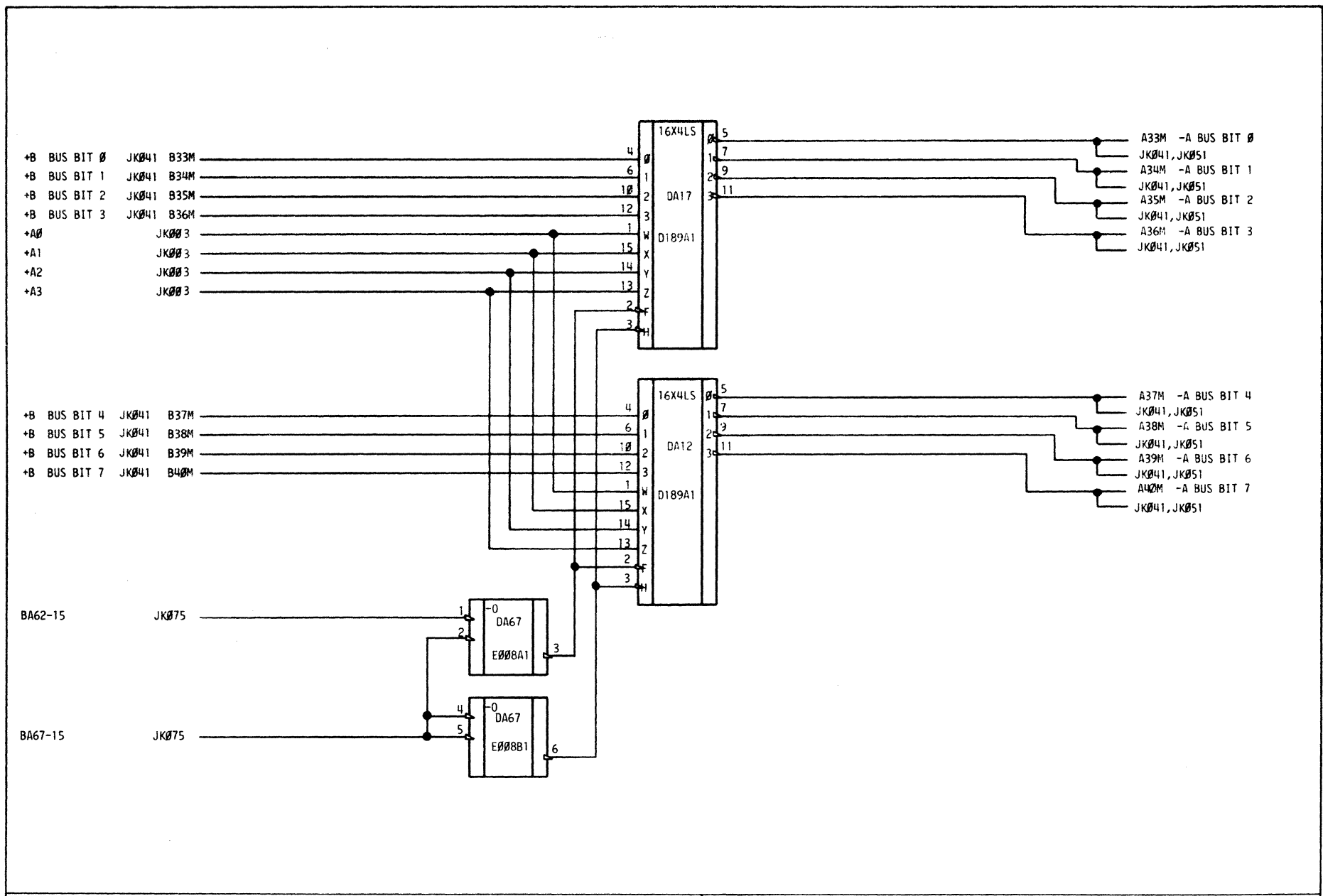
CD. P.N. JK
CD. TYPE
PG. P.N. 4023535-01



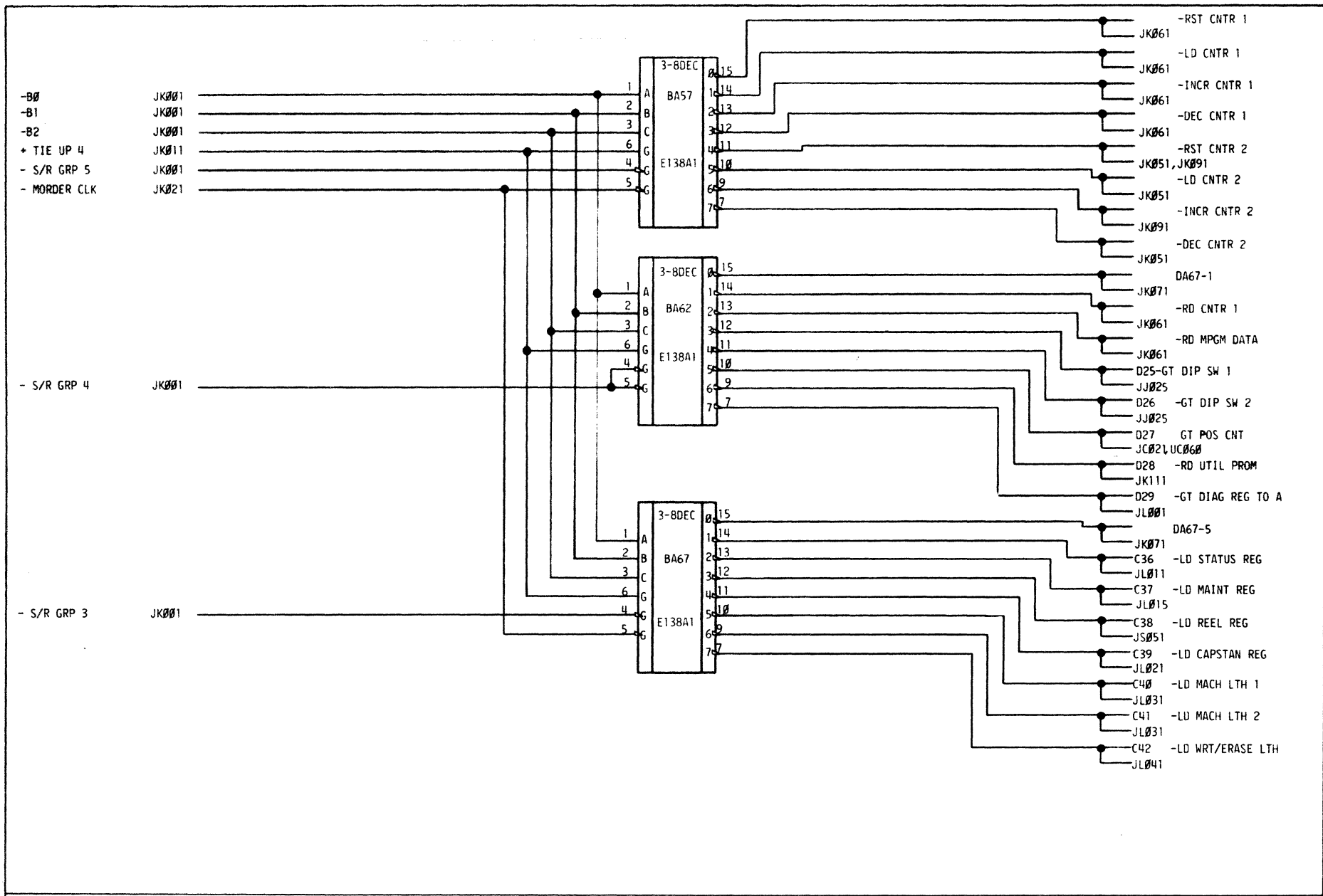
JK061	COUNTER 1, S/R GROUP 0				JK061				
	PRES. E.C.	44786	MACH. VERS.	1950		CD. LOC.	E2	CD. PN.	JK
	PREV. E.C.	NONE	GBL. ROT.			GATE	1A	PG. PN.	4023536-01
	DATE	7-7-82				FRAME			



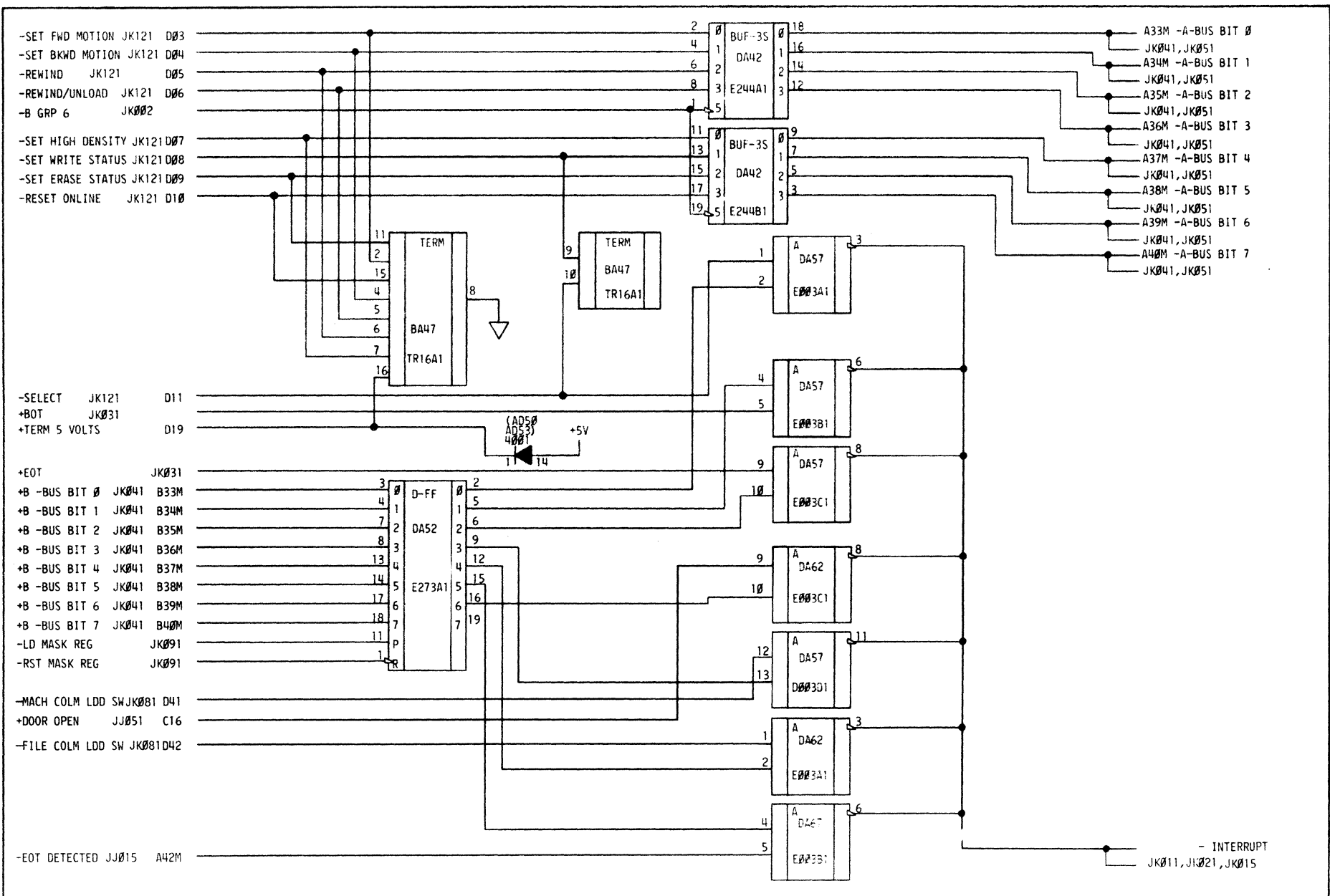
JK065	COUNTER 1, S/R GROUP 0				JK065
	PREV. E.C. DATE	44706 NONE 7-7-82	MACH. VERS. GBL. ROT.	1950	
	CD. LOC. GATE FRAME	E2 1A	CD. P.N. CD. TYPE PG. P.N.	JK JK 4023537-01	
	GAF Polytrace 033				



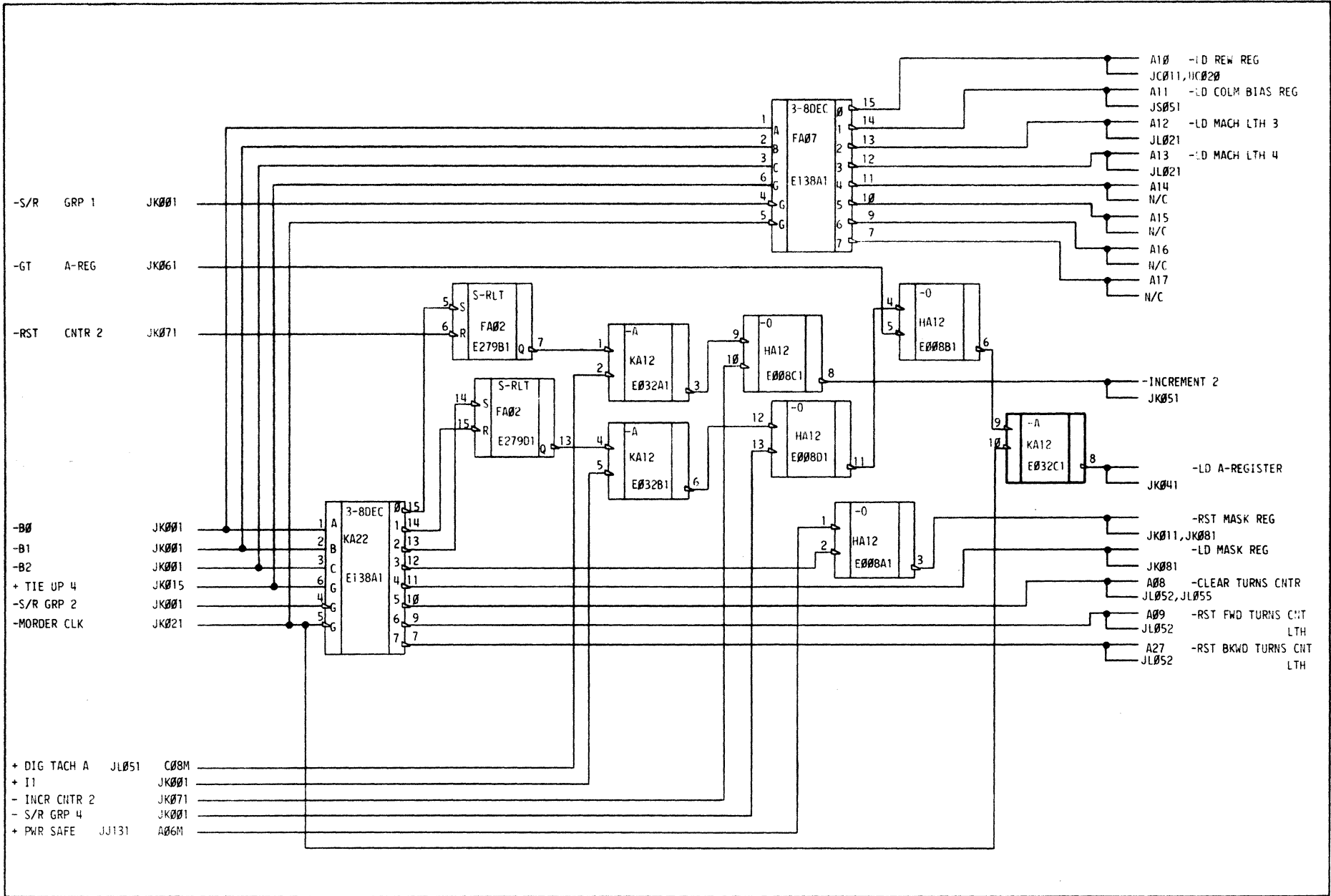
J K 0 7 1	RAM				J K 0 7 1
	PRES. E.C.	44786	MACH.	1950	
	PREV. E.C.	NONE	VERS.		
	DATE	7-7-82	GBL. ROT.		
		CD. LOC.	E2	CD. P.N.	
		GATE	1A	CD. TYPE	JK
		FRAME		PG. P.N.	4023538-01



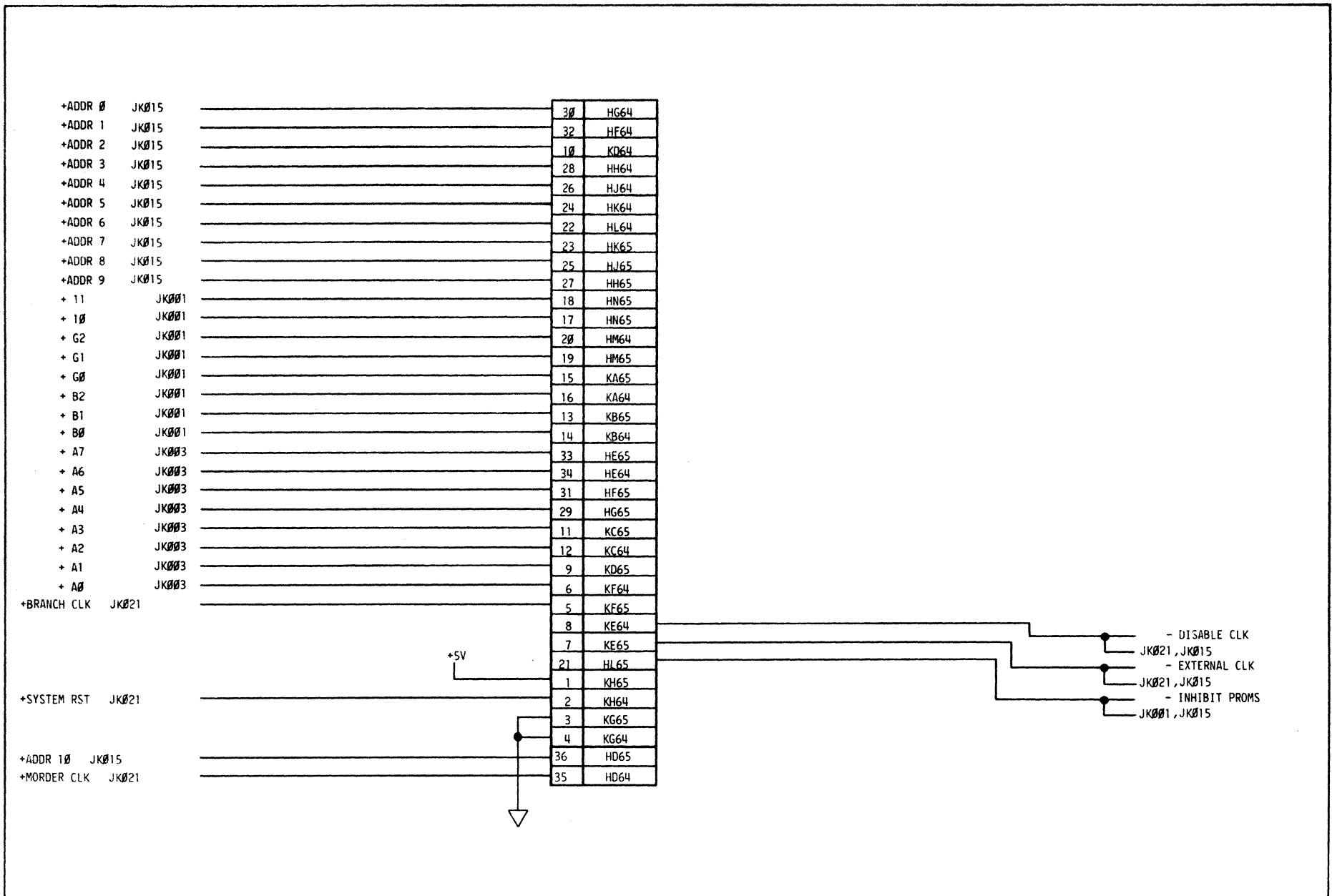
JK 075	RAM		MACH. 1950 VERS. GBL. ROT.	CD. LOC. E2 GATE 1A FRAME	CD. P.N. CD. TYPE JK PG. P.N. 4023539-01	JK 075
	PRES. E.C.	44786				
	PREV. E.C.	NONE				
	DATE	7-7-82				



JK081	INTERRUPT MASK REGISTER				JK081
	PRES. E.C.	44750	MACH.	1950	
	PREV. E.C.	NONE	VERS.		
	DATE	7-7-62	GBL. ROT.		
		CD. LOC.	E2	CD. P.N.	JK
		GATE	1A	CD. TYPE	JK
		FRAME		PG. P.N.	4023540-01



JK091	CNTR , REG CNTLS			CD. LOC. E2 GATE 1A FRAME	CD. P.N. JK PG. PN. 4023541-01
	PRES. E.C. DATE	44786 NONE 7-7-82	MACH. VERS. GBL. ROT. 1950		



1. PINS 37-40 ARE SPARES.

J
K
1
0
1

GAF Polytrace 033

PROM SIMULATOR CONNECTOR

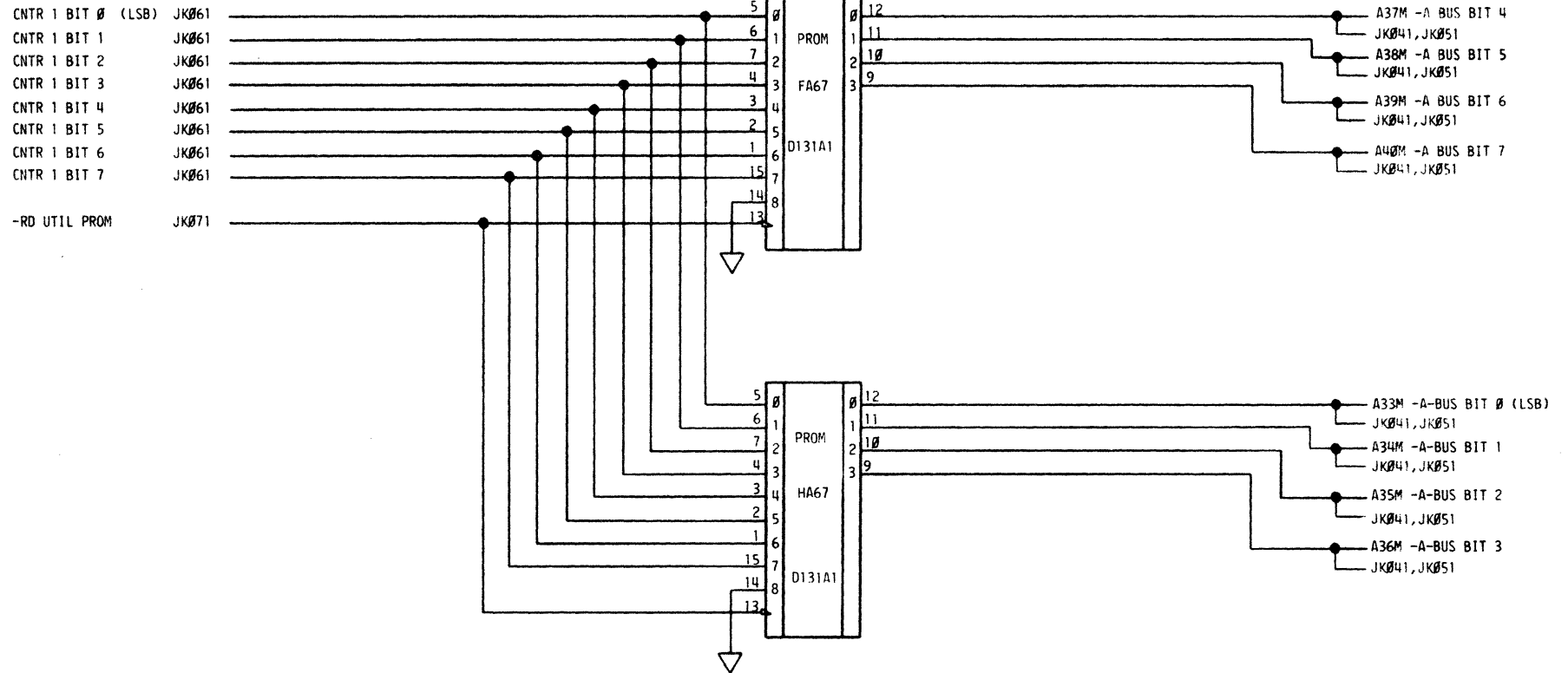
PREV. E.C. 44786
 NONE
 DATE 7-7-82

MACH. 1950
 VERS. JK
 GBL. ROT.

CD. LOC. E2
 GATE 1A
 FRAME

CD. P.N.
 CD. TYPE JK
 PG. P.N. 4023542-01

J
K
1
0
1

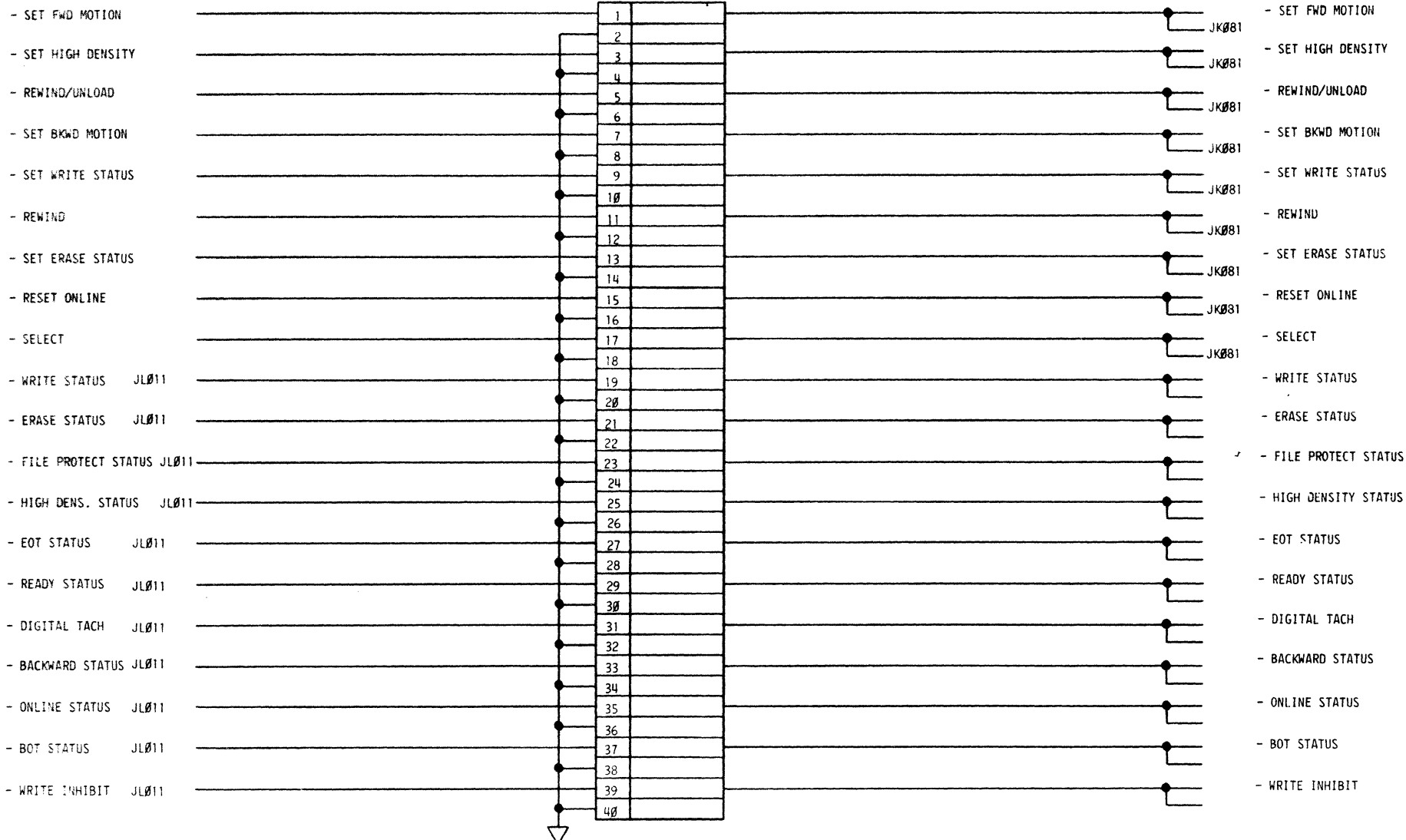


NOTE: SINCE IT IS DESIRED THAT THE OUTPUT DATA LINES MUST BE MINUS ACTIVE, THE PROMS MUST BE PROGRAMMED WITH THE 1'S COMPLEMENT OF THE DESIRED DATA.

UTILITY PROM			
PREV. E.C.	44786	MACH. VERS.	1950
DATE	NONE	GBL. ROT.	
	7-7-82	CD. LOC. E2	CD. P.N. JK
		GATE FRAME	CD. TYPE JK
			PG. P.N. 4023543-01

J
K
1
1
1

J
K
1
1
1



JK
1
2
1

FCU TO TU CONNECTOR

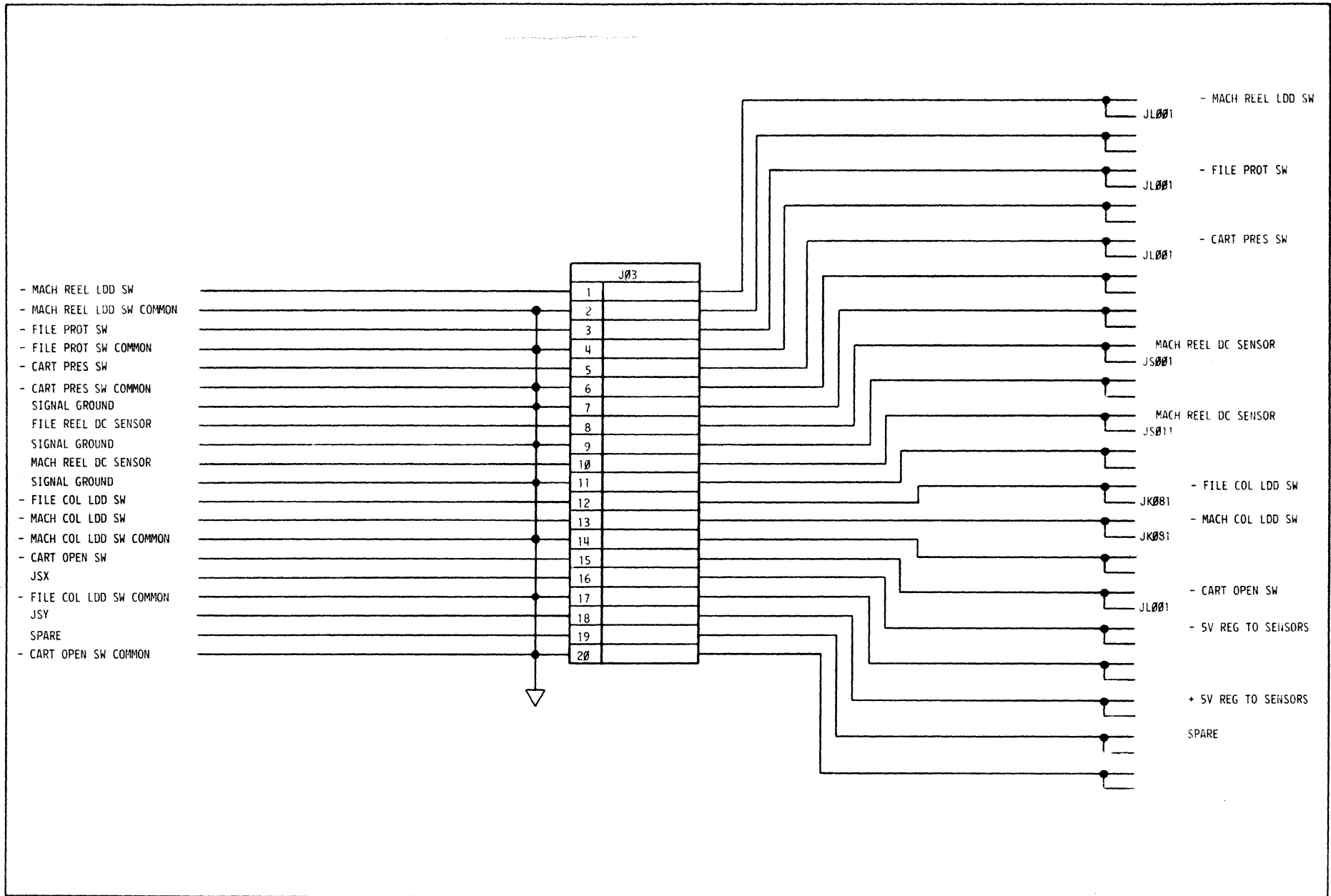
PREV. E.C. 44786
 PREV. E.C. NONE
 DATE 7-7-82

MACH. 1950
 VERS.
 GBL. ROT.

CD. LOC. E2
 GATE 1A
 FRAME

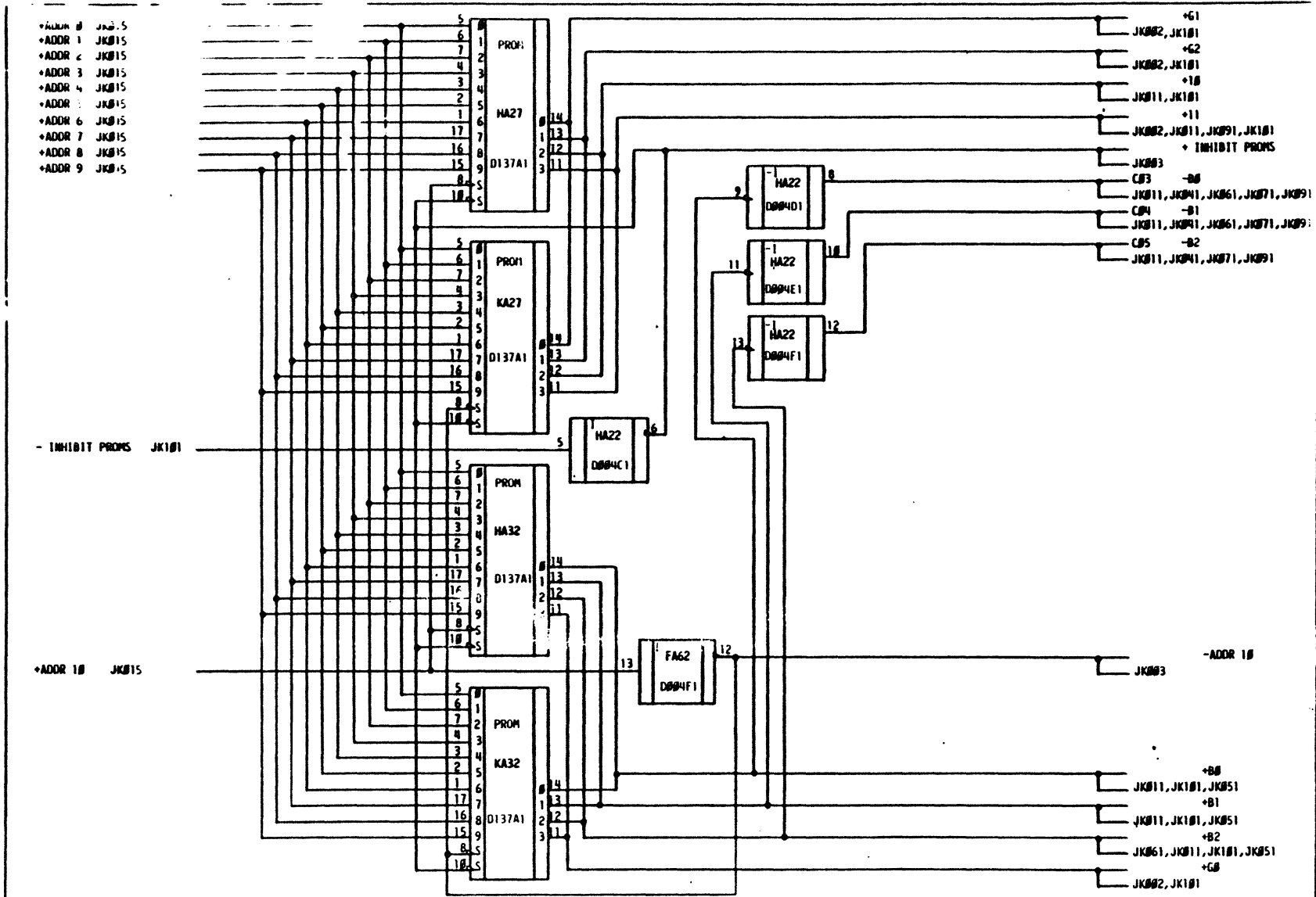
CD. P.N.
 CD. TYPE JK
 PG. P.N. 4023544-01

JK
1
2
1



JK131	CABLE, SWITCHES & SENSORS TO MOTHERBOARD				JK 1 3 1
	PRES. E.C.	44/86	MACH. VERS.	1950	
	PREV. E.C.	NONE	GATE	12	
	DATE	7-7-82	GBL. ROT.		
		CD. LOC.	03	CD. P.N.	
		FRAME		CD. TYPE	JK
				PG. P.N.	4023545-01

DIV.		ASSEMBLY NUMBER		CD	REV.	DWG.	DESCRIPTION			MC	STATUS	STATUS DATE	FILE DATE			
0500		401550108		5	K	N	SYS LGC GP, JK, 403465203, PC			N	REL	08-29-84	1950 09-05-84			
T Find no	LI	PART NUMBER	CD	M	QUANTITY	U/M	PART DESCRIPTION			MC	YLD	E.C. NO IN	E.C. NO. OUT	S/N	WK IN	WK OUT
000	01	401604408	5		REF	PC	CD LGC, JK, AB001, PC			D						
001	01	402350801	5		REF	PC	SYS LGC, JK001, PC			D						
002	01	402350901	3		REF	PC	SYS LGC, JK002, PC			D						
003	01	402351001	1		REF	PC	SYS LGC, JK003, PC			D						
011	01	402351101	9		REF	PC	SYS LGC, JK011, PC			D						
015	01	402351201	7		REF	PC	SYS LGC, JK015, PC			D						
021	01	402351301	5		REF	PC	SYS LGC, JK021, PC			D						
031	01	402351401	3		REF	PC	SYS LGC, JK031, PC			D						
041	01	402351501	0		REF	PC	SYS LGC, JK041, PC			D						
051	01	402351601	8		REF	PC	SYS LGC, JK051, PC			D						
061	01	402351701	6		REF	PC	SYS LGC, JK061, PC			D						
065	01	402351801	4		REF	PC	SYS LGC, JK065, PC			D						
071	01	402351901	2		REF	PC	SYS LGC, JK071, PC			D						
075	01	402352001	0		REF	PC	SYS LGC, JK075, PC			D						
081	01	402352101	8		REF	PC	SYS LGC, JK081, PC			D						
091	01	402352201	6		REF	PC	SYS LGC, JK091, PC			D						
101	01	402352301	4		REF	PC	SYS LGC, JK101, PC			D						
111	01	402352401	2		REF	PC	SYS LGC, JK111, PC			D						
121	01	402352501	9		REF	PC	SYS LGC, JK121, PC			D						
131	01	402352601	7		REF	PC	SYS LGC, JK131, PC			D						
501	01	403465203	4		REF	PC	CKT CD JK PC ASSY (SSC)			S						



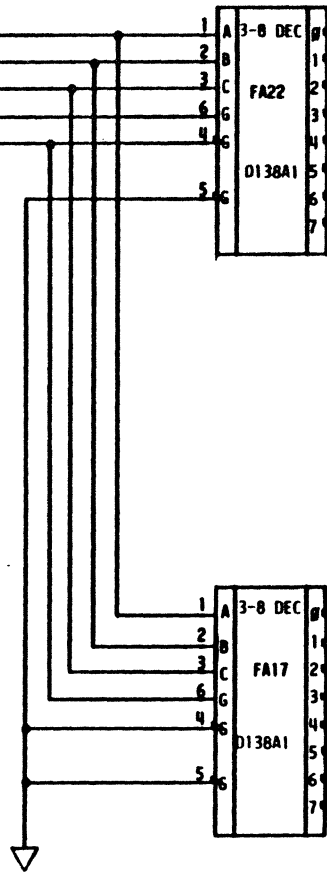
J
K
B
1

PROGRAM STORE 1, GROUP DECODE			
PREL E.C.	4478C	MACH.	1950
PREV E.C.	NONE	VERS.	
DATE	7-7-82	DBL. ROT	
CD. LOC.	E2	CD. RM.	JK
DATE	1A	CD. TYPE	JK
FRAME		PL. RM.	4923503-01

J
K
B
1

+G0
+G1
+G2
+ TIE UP 1
+11

JK001
JK001
JK001
JK011
JK001



-B GRP 0
JK011
-B GRP 1
JK011, JK031
-B GRP 2
C06
JK001
C07 -B GRP 3
JK001
-B GRP 4
JK031
-B GRP 5
JK031
-B GRP 6
JK001
-B GRP 7
JK031

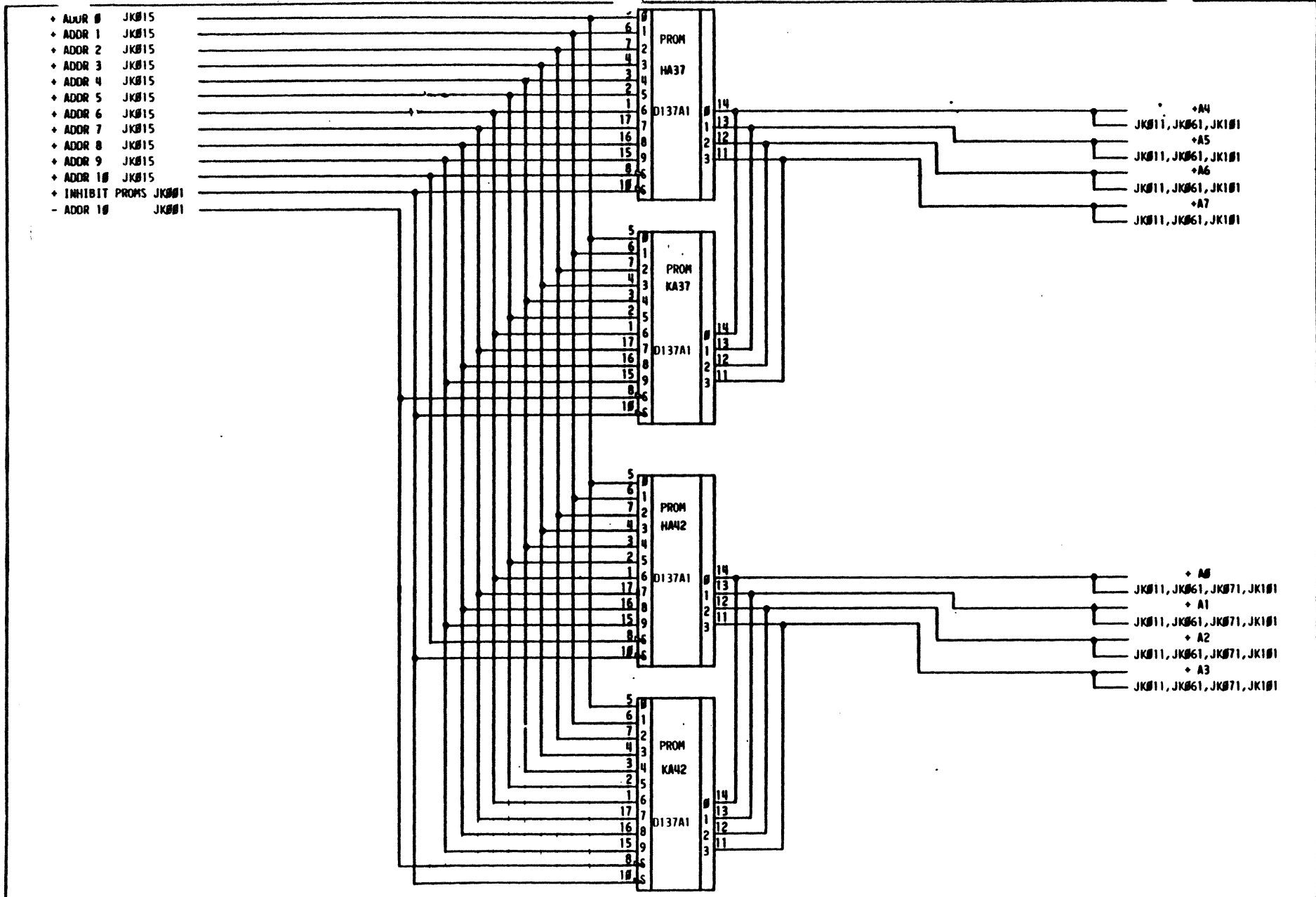
A19 -S/R GRP 0
JK061
-S/R GRP 1
JK091
-S/R GRP 2
JK091
-S/R GRP 3
JK071
-S/R GRP 4
JK091, JK071
-S/R GRP 5
JK071
-S/R GRP 6
JK041
-S/R GRP 7
JK041

PROGRAM STORE 1, GROUP DECODE

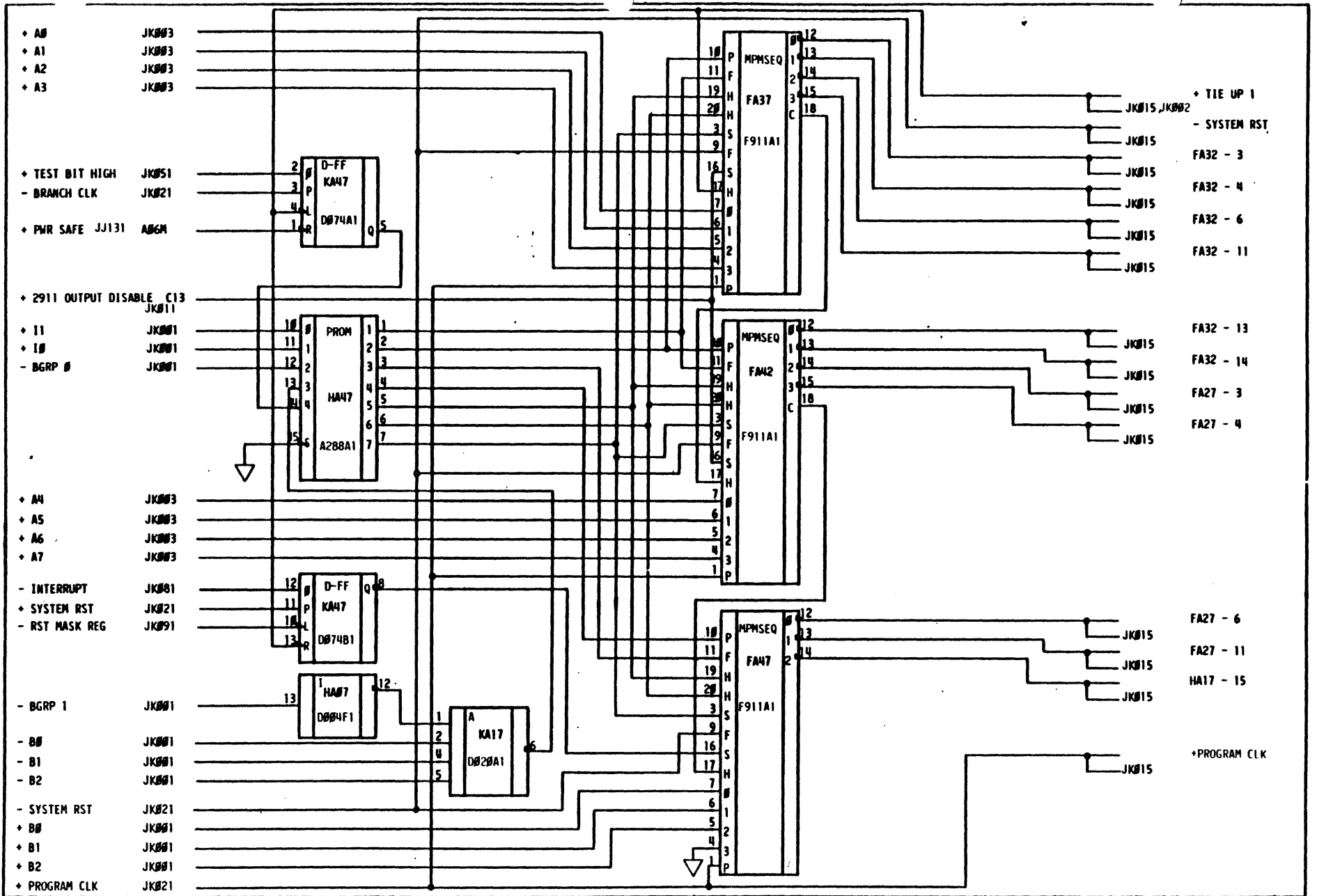
PREV. E.C.	44786	MACH.	1950	CD. LOC.	E2	CD. R.N.
DATE	NONE	VERS.	7-7-82	GATE	1A	CD. TYPE JK
		GBL. NOT.		FRAME		PG. R.N. 4023509-01

JK002

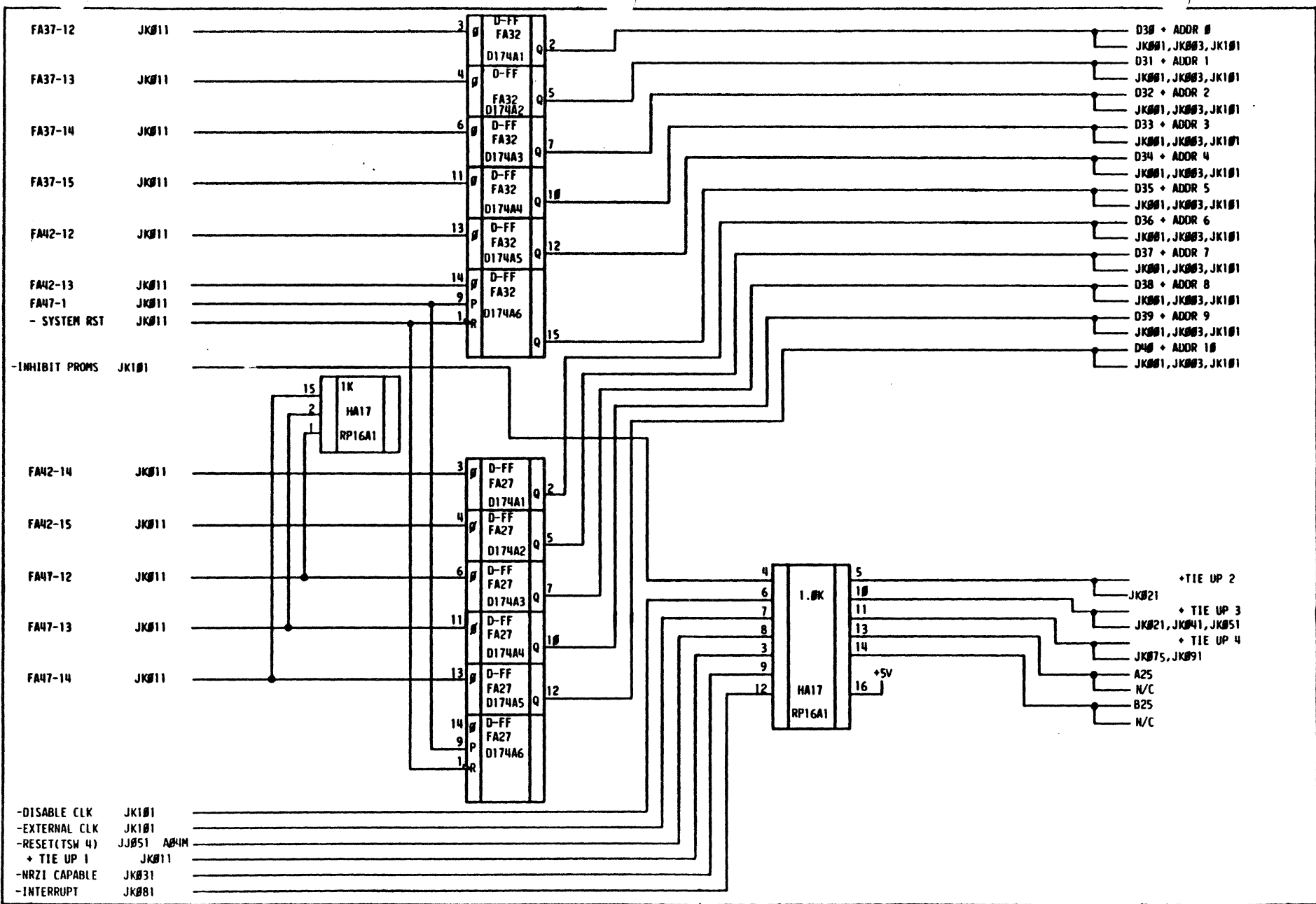
JK002



PROGRAM STORE 2				J K 0 3
PRES. E.C.	44786	MACH.	1950	
PREV. E.C.	NONE	VERS.		
DATE	7-7-82	SBL. NO.		CD. LOC. E2 GATE TA FRAME
				CD. S.N. CO. TYPE JK PG. RN. 4823510-01

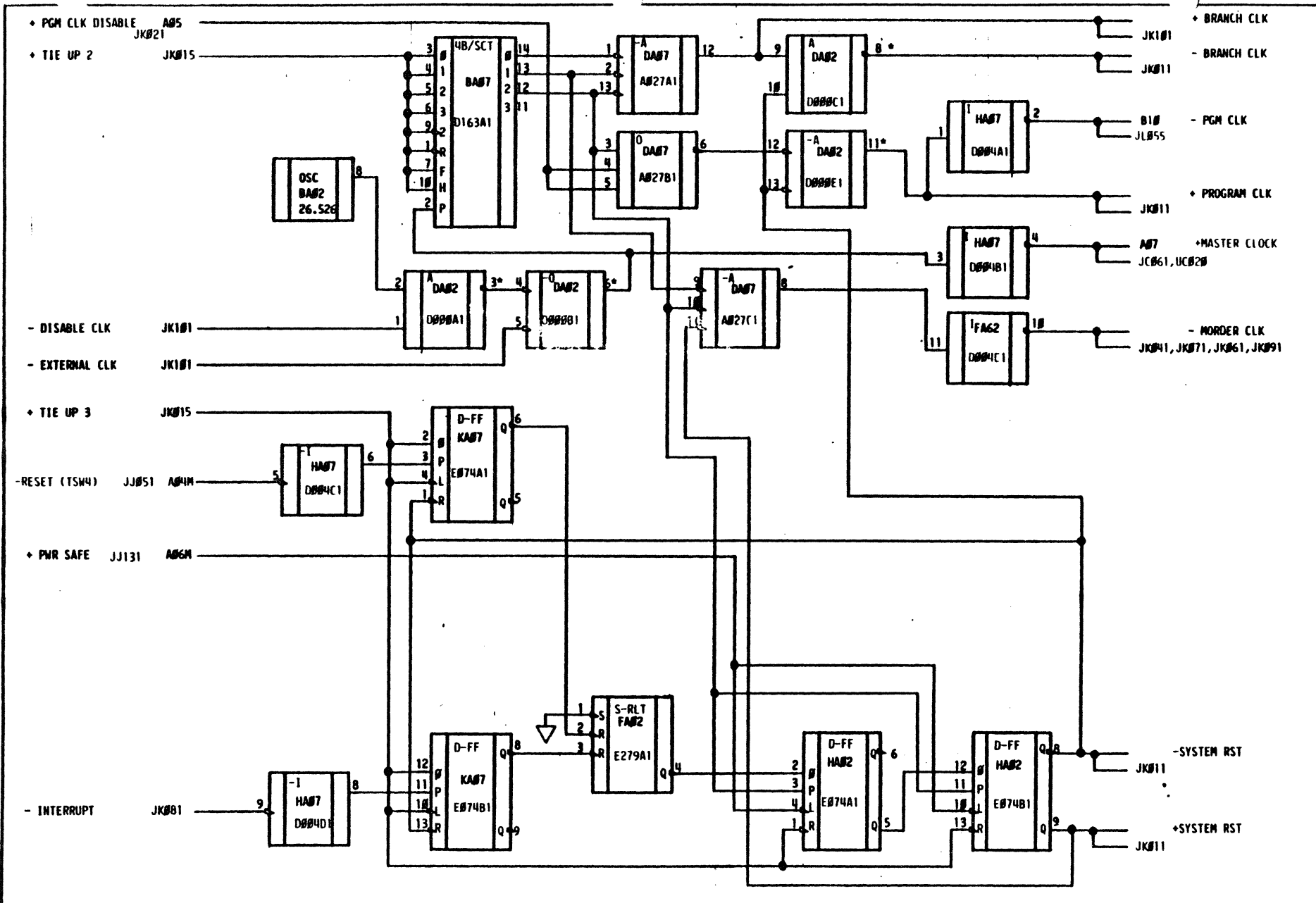


NEXT ADDRESS GENERATION			
PREV. E.C.	44786	MACH.	1950
PREV. E.C.	NONE	VERS.	
DATE	7-7-82	OBL. ROT.	
CD. LOC.	E2	CD. R.N.	JK
GATE	1A	CD. TYPE	JK
FRAME		PG. P.N.	4023511-01



JK015

NEXT ADDRESS GENERATION		CD. LOC. E2		CD. RA. JK		JK015
PREV. E.C.	44786	MACH.	1958	CD. TYPE	JK	
DATE	NONE	VER.	7-7-82	PG. PM.	4023512-01	



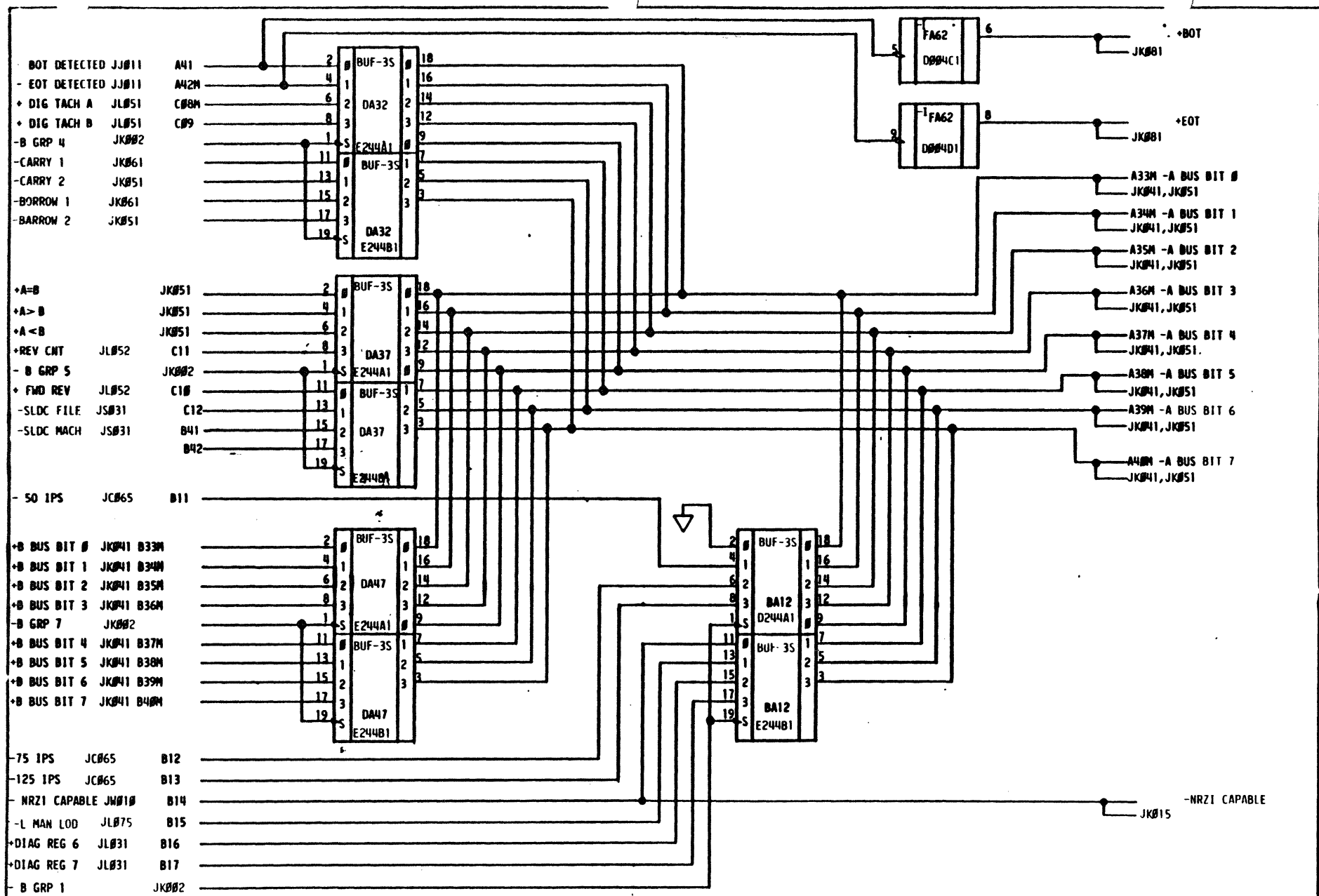
* NOTE: WIRES ON DA02 MODULE MUST BE AS SHOWN ON LOGIC.

CLOCKS AND RESETS

PREL. E.C. DATE	44786 NONE 7-7-62	MACH. VERN. OBL. ROT.	1950	CD. LOC. E2 TA	CD. R.N. CO. TYPE JK	PG. PN. 4023513-01
-----------------	-------------------------	-----------------------	------	----------------	----------------------	--------------------

128KJ

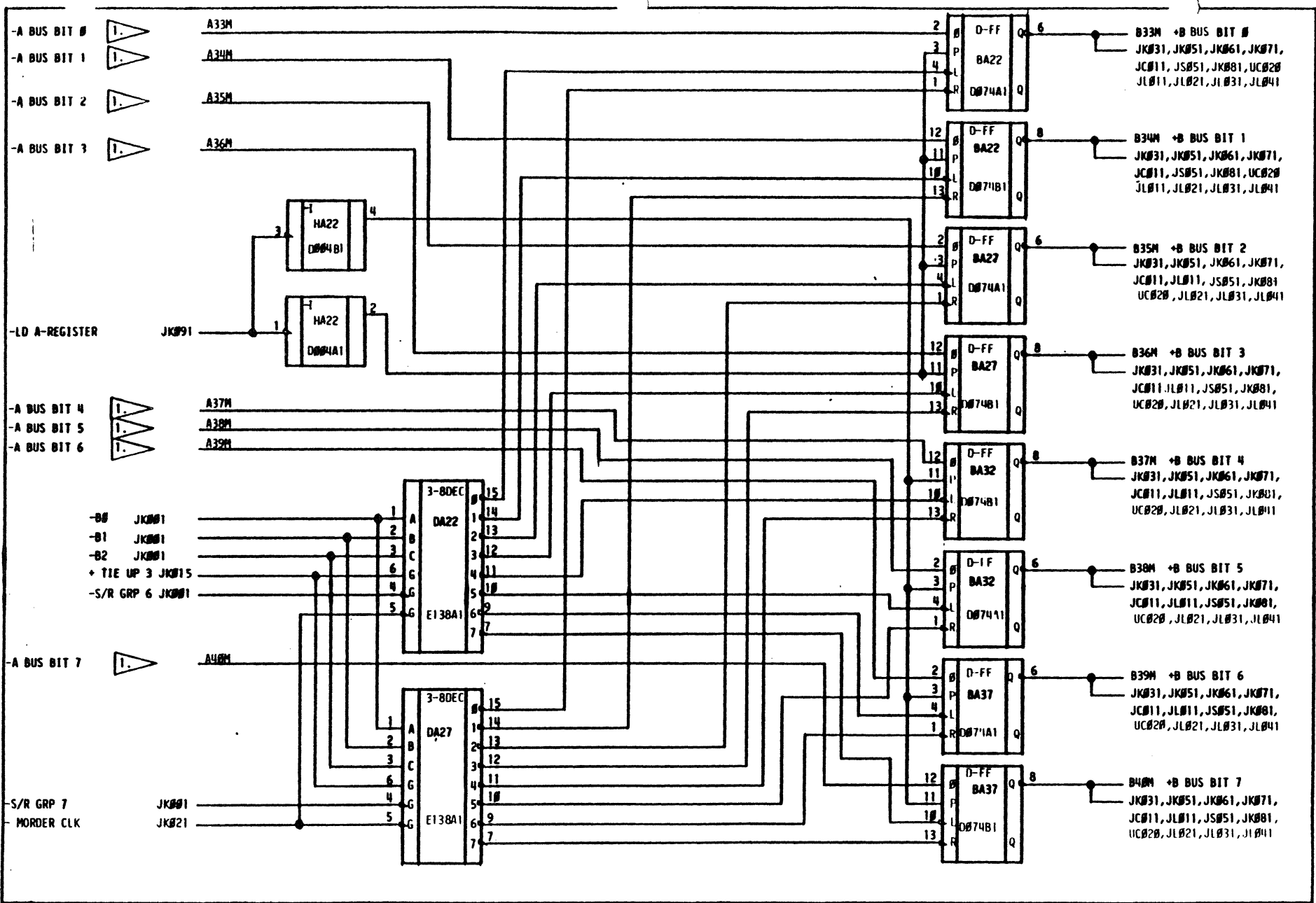
128KJ



J
K
3
1

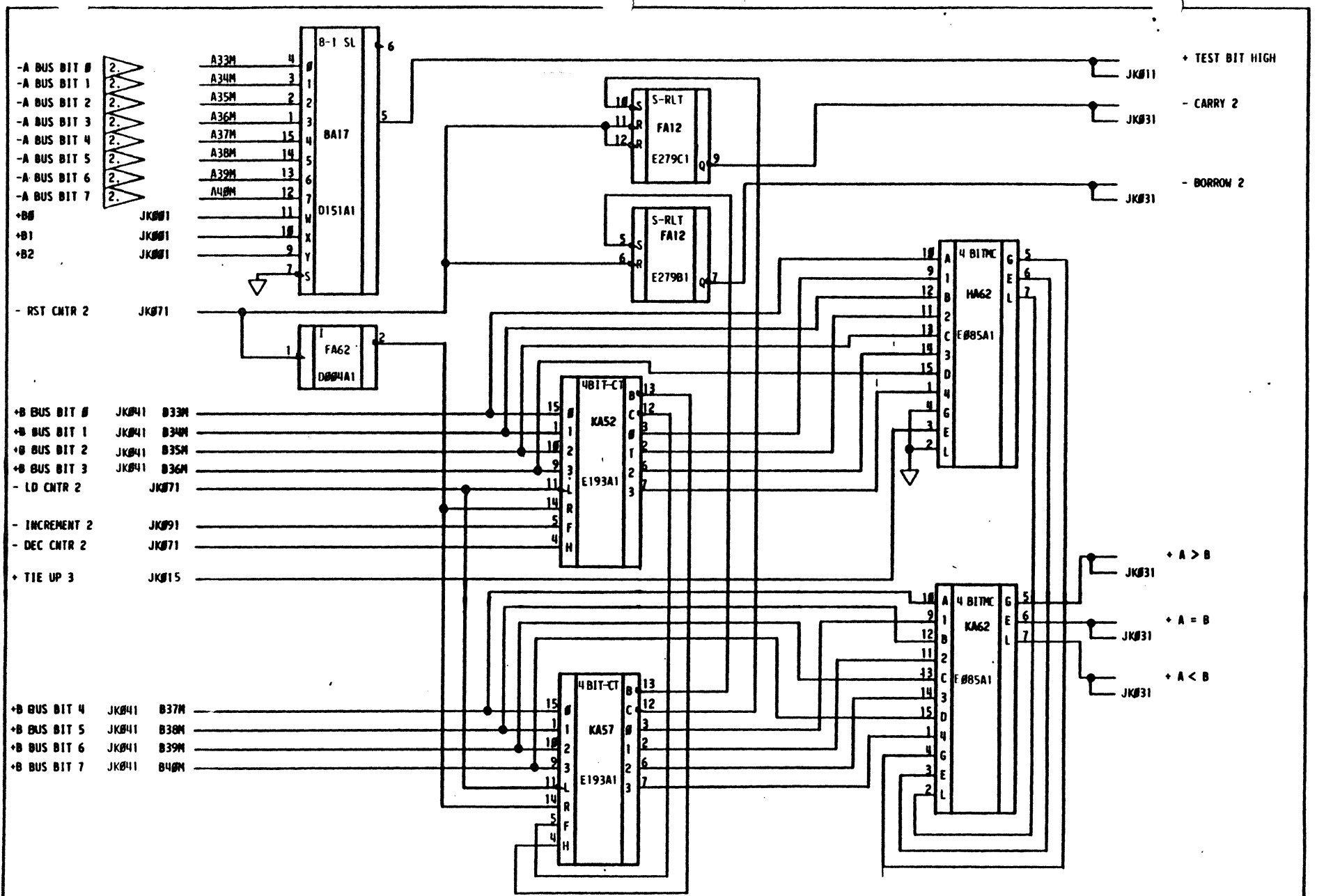
BRANCH GROUPS 4, 5 & 7

PREL. E.C. DATE	44786 NONE 7-7-02	MACH. VERS. SOL. ROT	195#	CD. LOC. DATE FRAME	E2 1A	CD. #N. CD. TYPE PG. PN.	JK 4023514-01
--------------------	-------------------------	-------------------------	------	---------------------------	----------	--------------------------------	------------------



1. THE A-BUS IS A MULTIPLE SOURCED TRI-STATE BUS.
 SOURCES ARE SHOWN ON LOGIC PAGES JK031, JK061, JK065, JK071, JK081, JK111, JJ021,
 JC001, JL001, JC012, UC011.

PRE E.C. 44786 REV E.C. NONE DATE 7-7-82		MACH. VER. 1950 BL. ROT.		CD. LOC. E2 GATE 1A FRAME		CD. RM. JK CD. TYPE JK PO. PN. 4023515 01	
---	--	---	--	--	--	--	--



2. THE A-BUS IS A MULTIPLE SOURCED TRI-STATE BUS.
SEE NOTE 1, PAGE JK#41

COUNTER 2, COMPARATOR

PREV. E.C. 44786
DATE 7-7-02

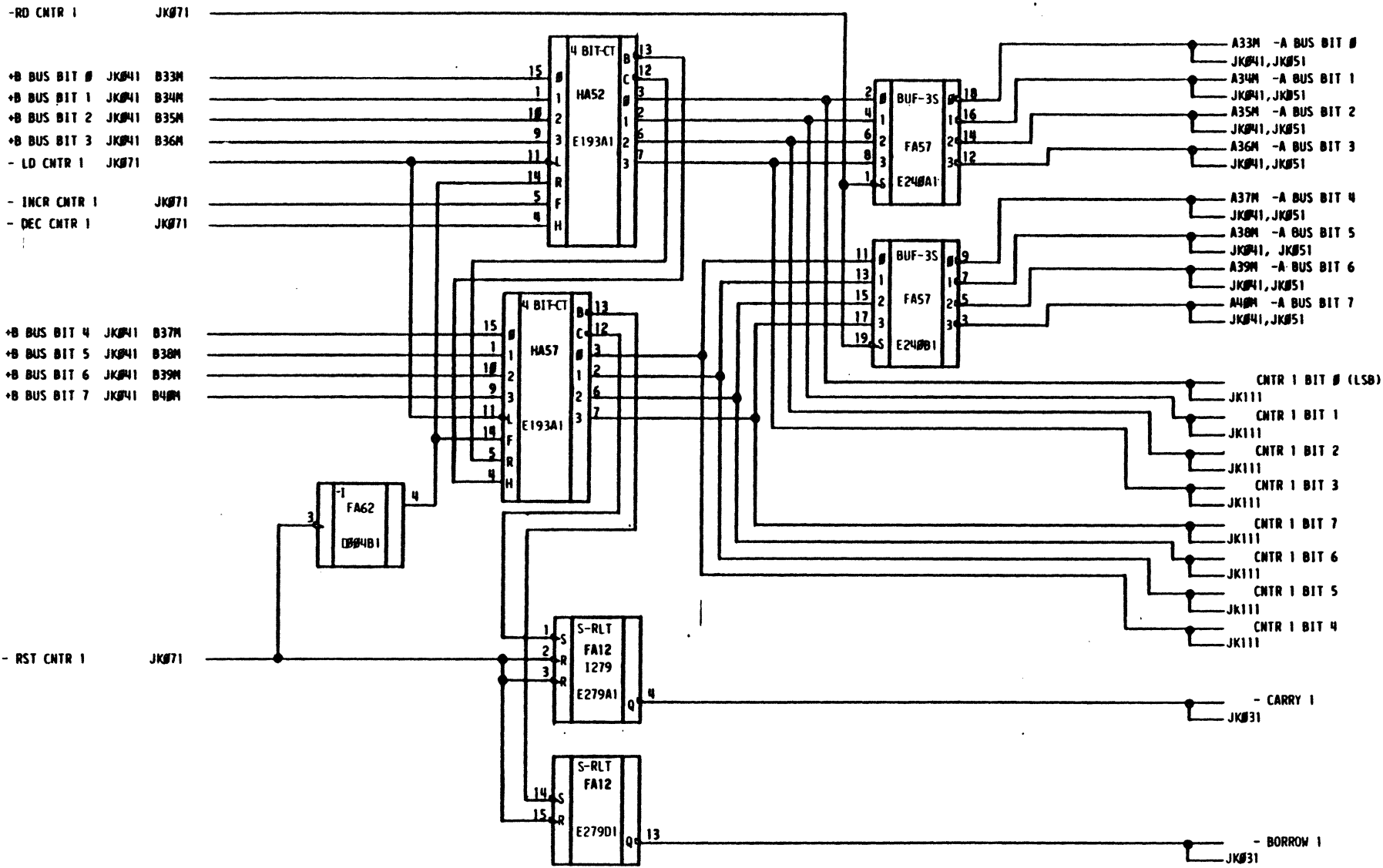
MACH. 195#
VERS.
OBL. NOT

CD. LOC. E2
GATE 1A
FRAME

CD. P.N. JK
CD. TYPE JK
PG. P.N. 4023516-01

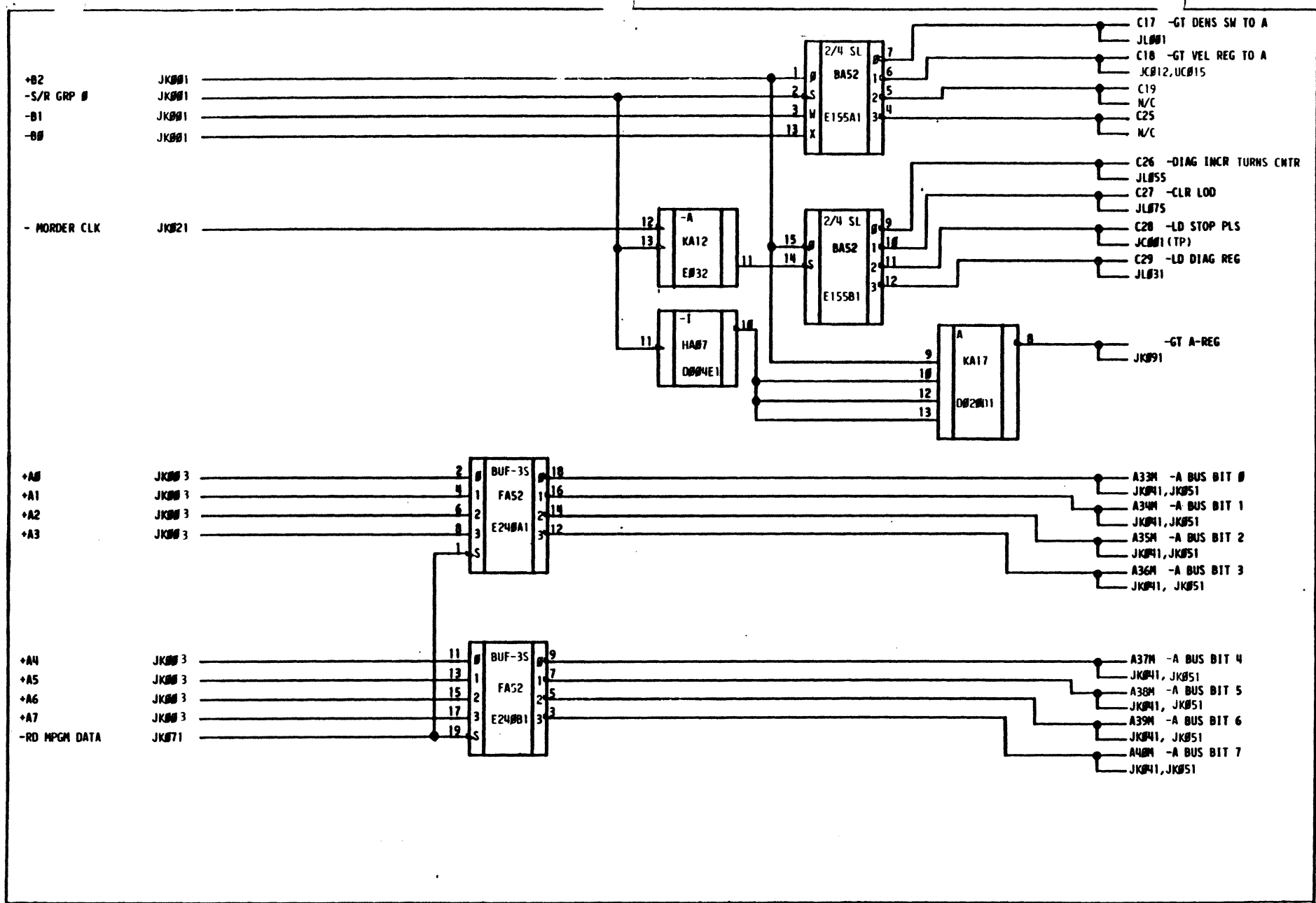
JK#51

JK#51



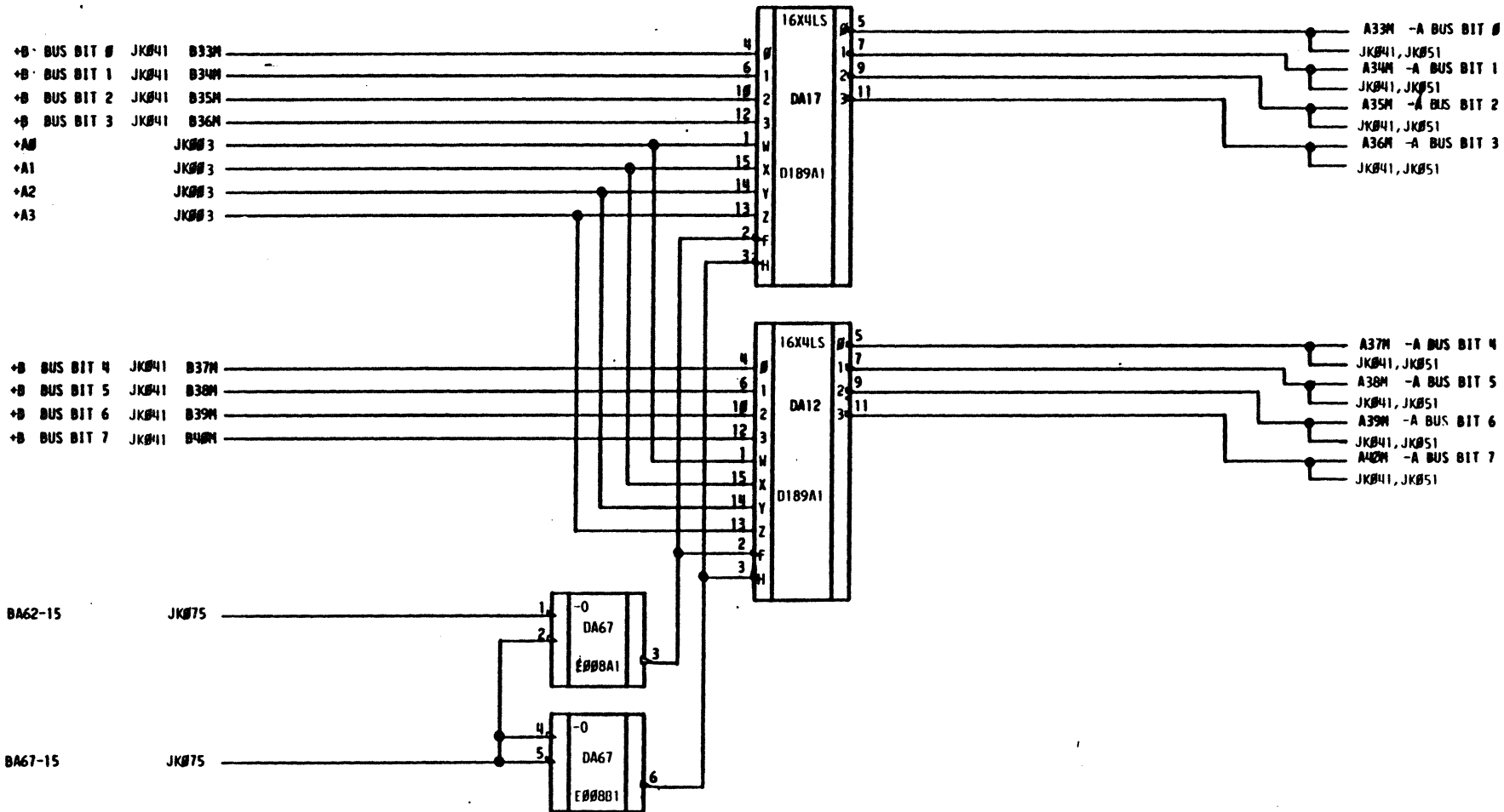
JK061

COUNTER 1, S/R GROUP #			
PREV. E.C.	44786	MACH.	195#
DATE	NONE	VERB.	
	7-7-R2	OBL. ROT.	
CD. LOC.	E2	CD. R.N.	E2
GATE	1A	CD. TYPE	JK
FRAME		P.O. R.N.	1023517-01



COUNTER 1, S/R GROUP F

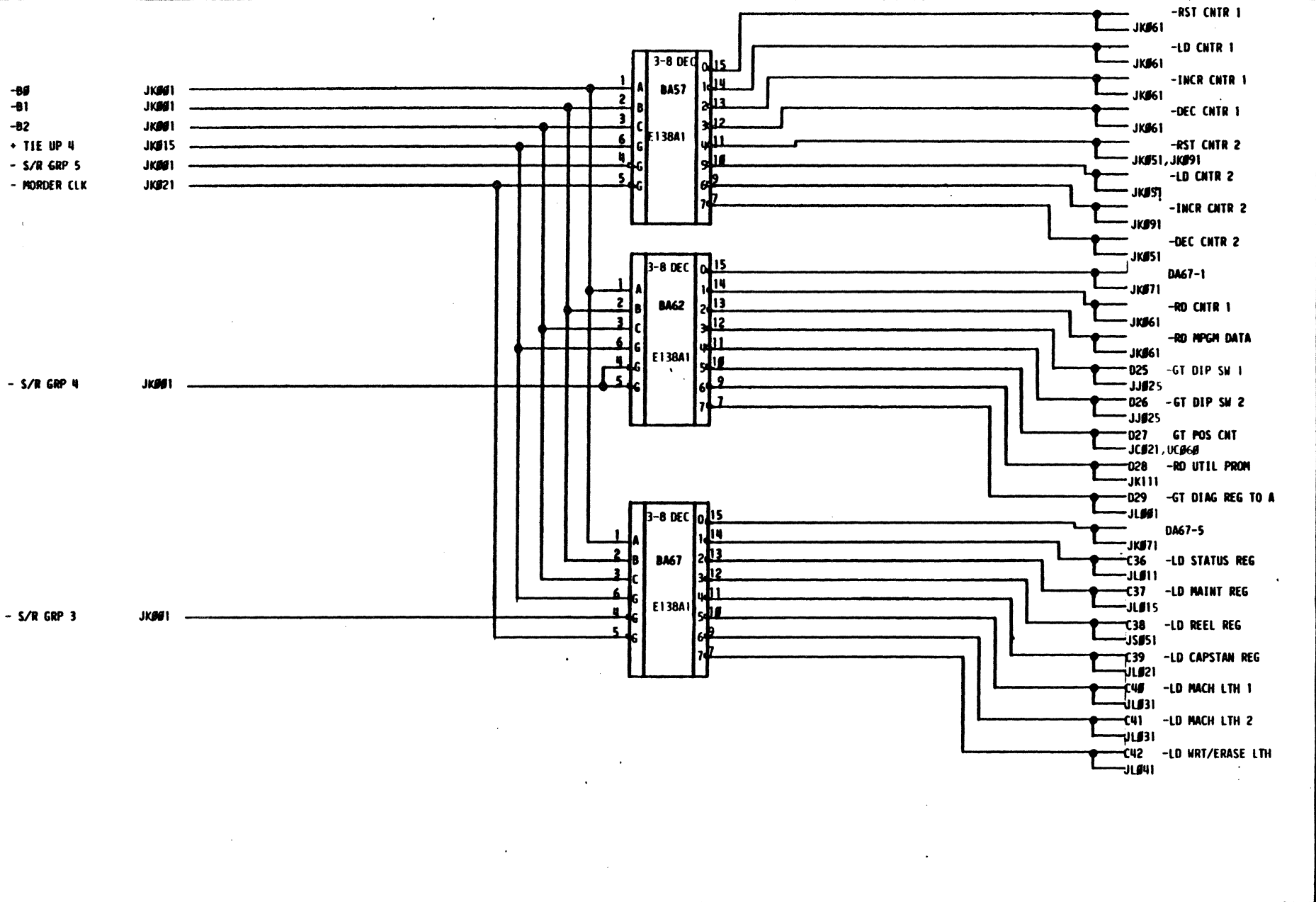
PRES. E.C. 44786 PREV. E.C. NONE DATE 7-7-92	MACH. 195# VERS. OBL. NOT.	CD. LOC. E2 GATE 1A FRAME	CD. P.N. JK CD. TYPE JK PG. P.N. 4023518-01
--	----------------------------------	---------------------------------	---



JK075

RAM		MACH. 1950		CD. LOC. E2		CD. RM.	
PRE. E.C. 44786	PREV. E.C. NONE	VERS.	DATE	DATE	1A	CD. TYPE JK	
DATE 7-7-82		OBL. ROT		FRAME		Pg. RN. 4023519-01	

JK075



J
K
0
0
1

RAM				J
PRES. E.C.	44786	MACH.	1950	CD. LOC. F2 GATE 1A FRAME
PREV. E.C.	NONE	VERS.		
DATE	7-7-82	GDL. ROT.		
		CD. RM.	JK	CD. TYPE JK PG. PN. 4023520-01

J
K
0
0
1

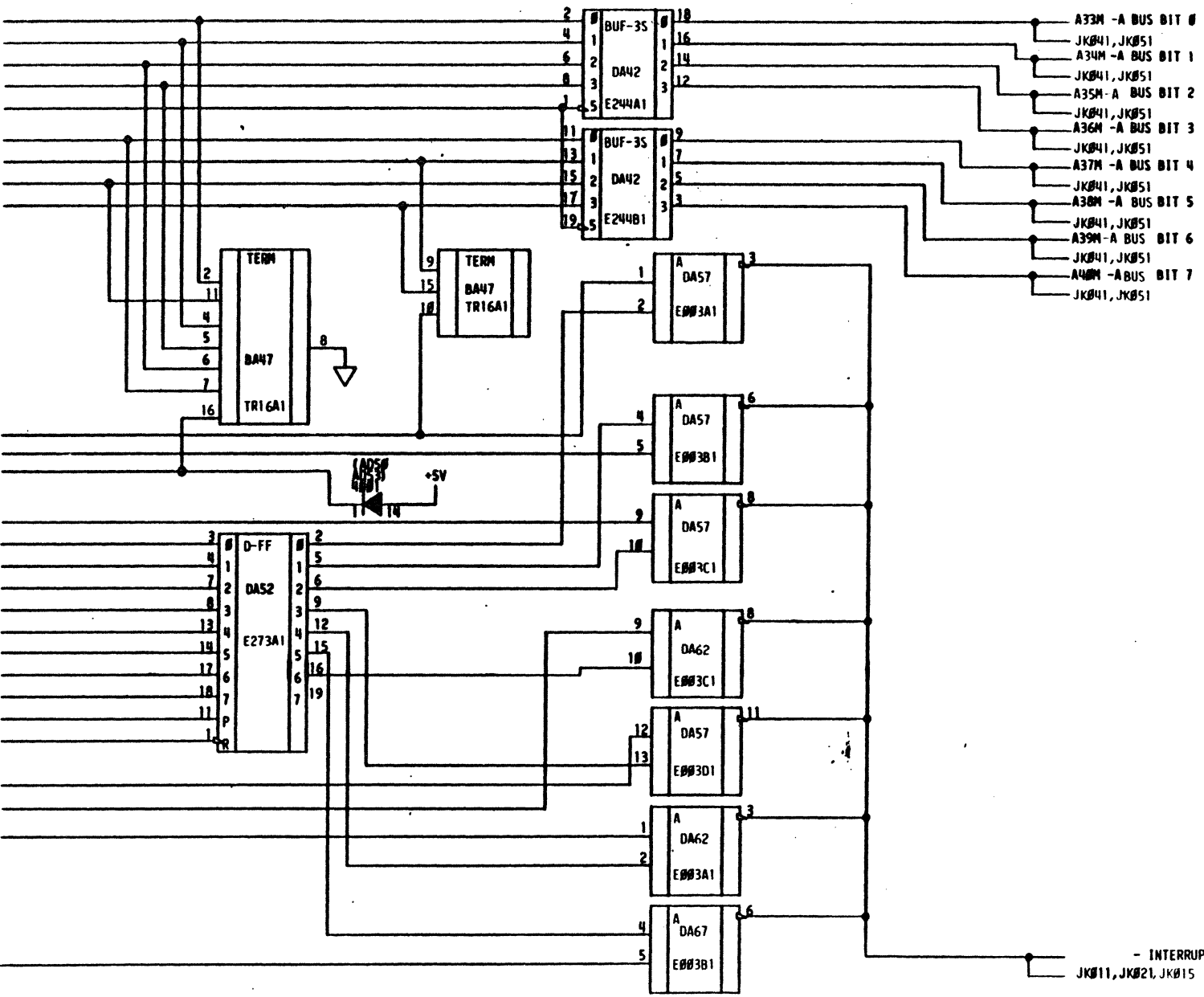
-SET FWD MOTION JK121 D03
 -SET BKWD MOTION JK121 D04
 -REWIND JK121 D05
 -REWIND/UNLOAD JK121 D06
 -B GRP 6 JK002
 -SET HIGH DENSITY JK121 D07
 -SET WRITE STATUS JK121 D08
 -SET ERASE STATUS JK121 D09
 -RESET ONLINE JK121 D10

-SELECT JK121 D11
 +BOT JK031
 +TERM 5 VOLTS D19

+EOT JK031
 +B BUS BIT 0 JK041 B33M
 +B BUS BIT 1 JK041 B34M
 +B BUS BIT 2 JK041 B35M
 +B BUS BIT 3 JK041 B36M
 +B BUS BIT 4 JK041 B37M
 +B BUS BIT 5 JK041 B38M
 +B BUS BIT 6 JK041 B39M
 +B BUS BIT 7 JK041 B40M
 -LD MASK REG JK091
 -RST MASK REG JK091

-MACH COLM LDD SW JK081 D41
 +DOOR OPEN JJ051 C16
 -FILE COLM LDD SW JK081 D42

-EOT DETECTED JJ015 A42M

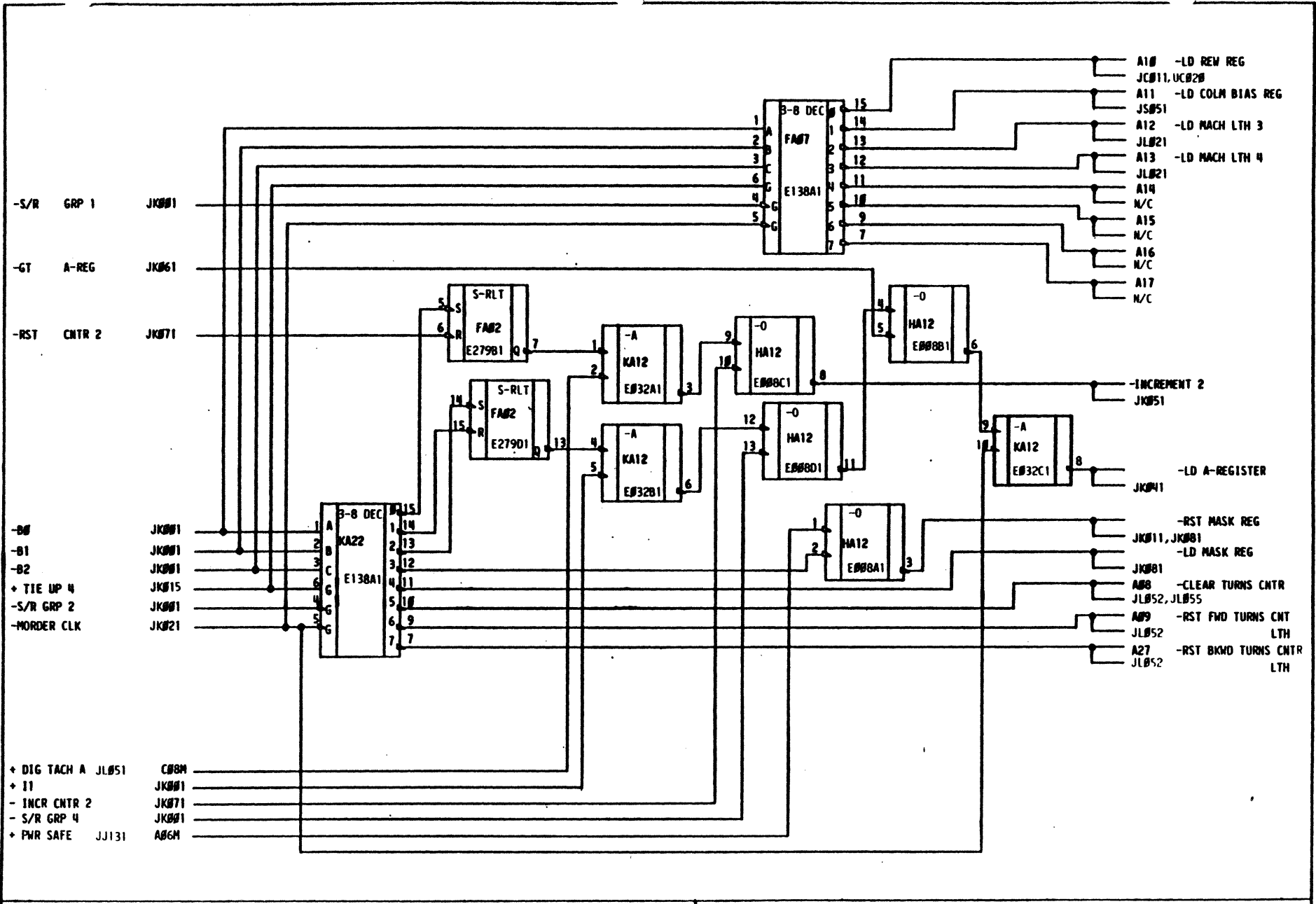


- INTERRUPT JK011, JK021, JK015

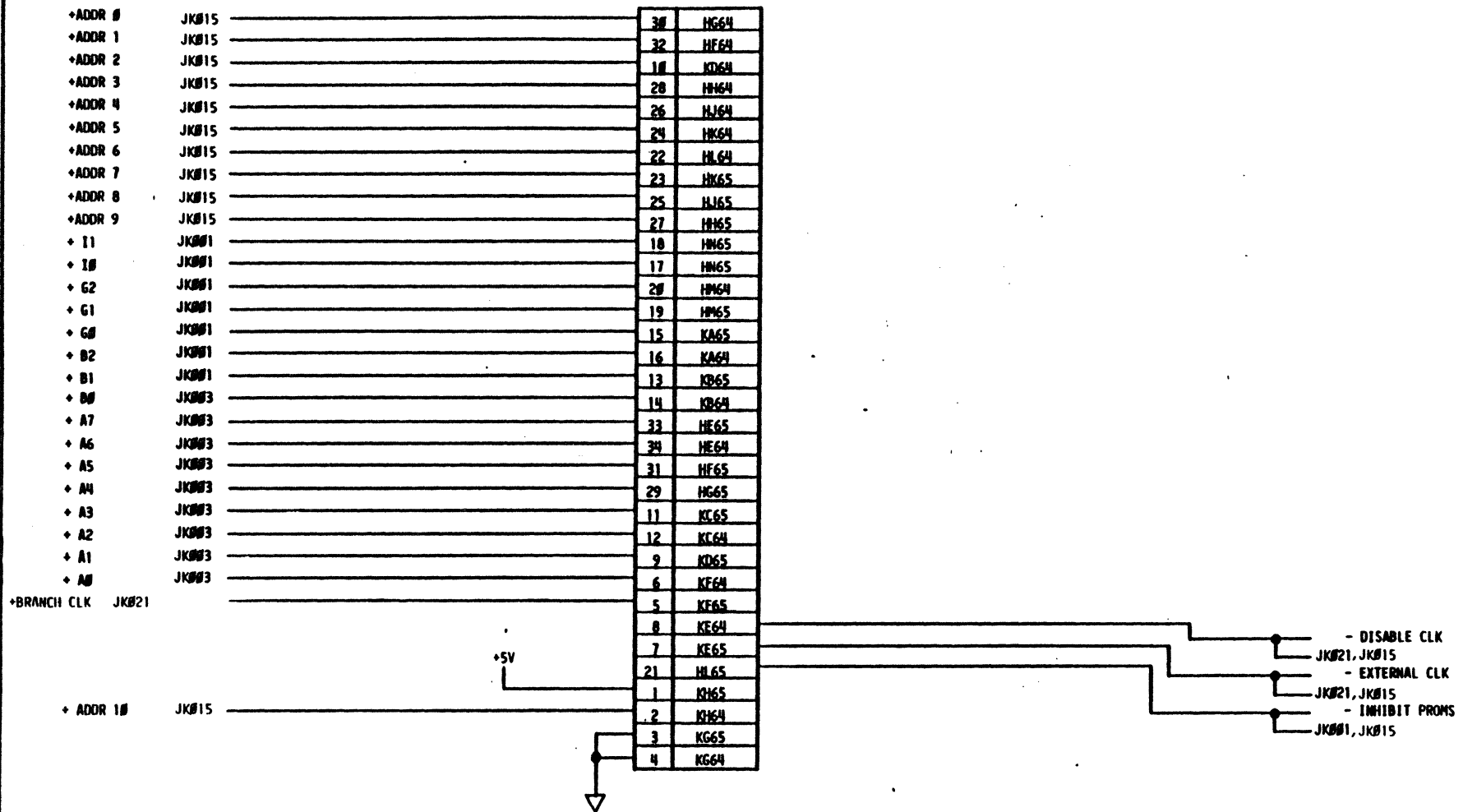
DAF Polytrace 833

INTERRUPT MASK REGISTER			
PREL. E.C.	44786	MACH. 1950	CD. LOC. E2
PREV. E.C.	NONE	VERS.	TA
DATE	7-7-82	OBL. ROT.	CD. R.N. JK
			PS. R.N. 4023521 01

JK011

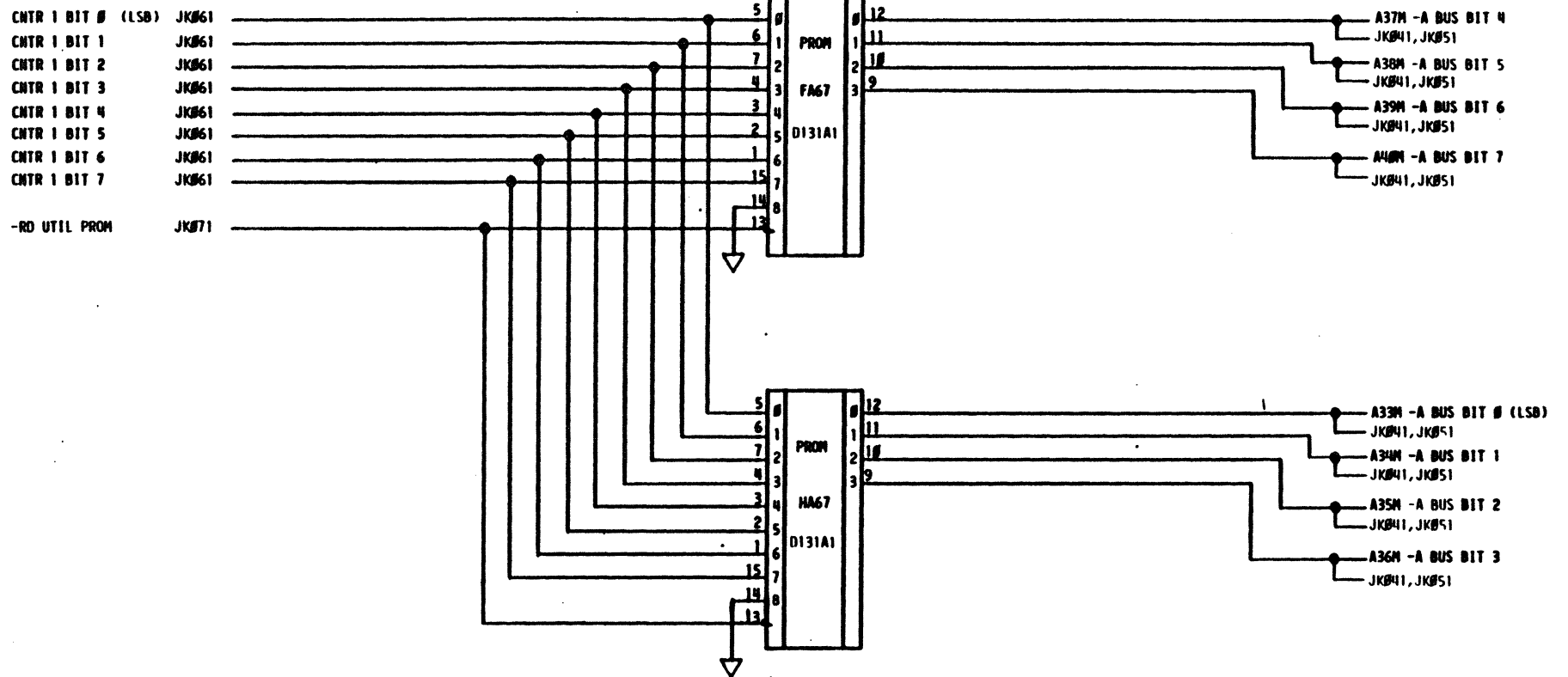


J K 0 1	CNTR , REG CNTLS			
	PREV E.C.	44786	MACH.	1950
	PREV E.C.	NONE	VERS.	
	DATE	7-7-82	QBL. NOT.	
		CD. LOC.	E2	
		GATE -	1A	
		FRAME		
		CD. P.N.	JK	
		PB. P.N.	4023522-01	



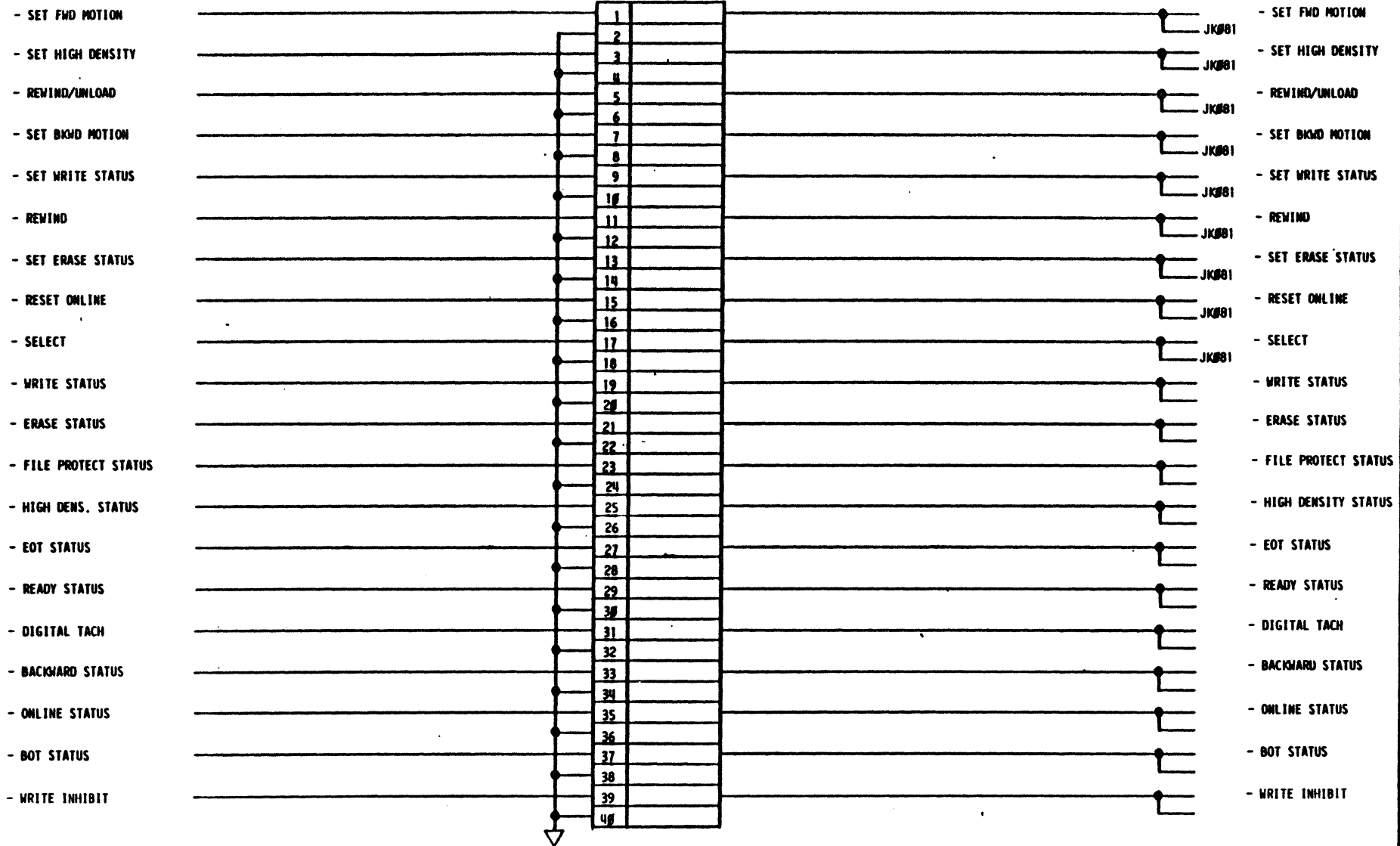
- DISABLE CLK
- JK021, JK015
- EXTERNAL CLK
- JK021, JK015
- INHIBIT PROMS
- JK001, JK015

	PROM SIMULATOR CONNECTOR				J K 1
	PREV. E.C. 44786 NONE DATE 7-7-82	MACH. 1958 VERS. OBL. ROT	CD. LOC. E2 GATE 1A FRAME	CD. P.N. CD. TYPE JK P.Q. P.N. 4023523-01	



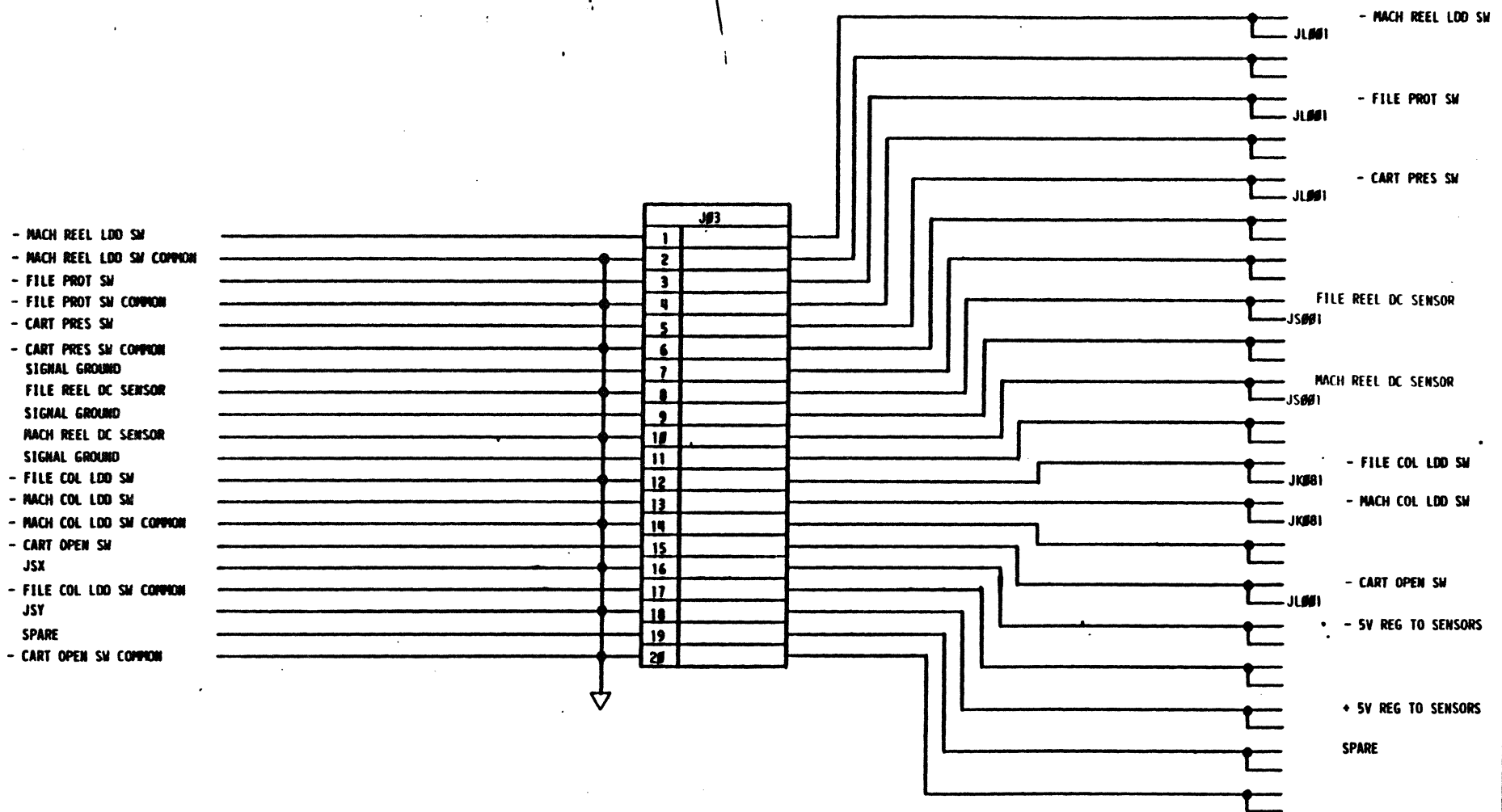
NOTE: SINCE IT IS DESIRED THAT THE OUTPUT DATA LINES MUST BE MINUS ACTIVE, THE PROMS MUST BE PROGRAMMED WITH THE 1'S COMPLEMENT OF THE DESIRED DATA.

UTILITY PROM			
PRES. E.C.	44786	MACH.	1958
PREV. E.C.	NONE	VERS.	
DATE	7-7-82	QBL. ROT	
CO. LDC.	E2	CD. R/A	
GATE	1A	CD. TYPE	JK
FRAME		PQ. PN.	4823524-01



2

FCU TO TU CONNECTOR			
PREL E.C. 44786	MACH. 1950	CD. LOC. E2	CD. RM.
PREV E.C. NONE	VERS.	GATE 1A	CD. TYPE JK
DATE 7-7-70	DBL. ROT.	FRAME	PR. RN. 4823525-01



- MACH REEL LDD SW
- MACH REEL LDD SW COMMON
- FILE PROT SW
- FILE PROT SW COMMON
- CART PRES SW
- CART PRES SW COMMON
- SIGNAL GROUND
- FILE REEL DC SENSOR
- SIGNAL GROUND
- MACH REEL DC SENSOR
- SIGNAL GROUND
- FILE COL LDD SW
- MACH COL LDD SW
- MACH COL LDD SW COMMON
- CART OPEN SW
- JSX
- FILE COL LDD SW COMMON
- JSY
- SPARE
- CART OPEN SW COMMON

- MACH REEL LDD SW
- FILE PROT SW
- CART PRES SW
- FILE REEL DC SENSOR
- MACH REEL DC SENSOR
- FILE COL LDD SW
- MACH COL LDD SW
- CART OPEN SW
- 5V REG TO SENSORS
- 5V REG TO SENSORS
- SPARE

J03	
1	
2	
3	
4	
5	
6	
7	
8	
9	
10	
11	
12	
13	
14	
15	
16	
17	
18	
19	
20	

44786

CABLE, SWITCHES & SENSORS TO MOTHERBOARD

PRES. E.C. 44786
 PREV. E.C. NONE
 DATE 7-7-82

MACH. 1950
 VERS.
 OBL. NOT

CD. LOC. E2
 DATE 1A
 FRAME

CD. RN.
 CD. TYPE JK
 PO. RN. 4823526-01

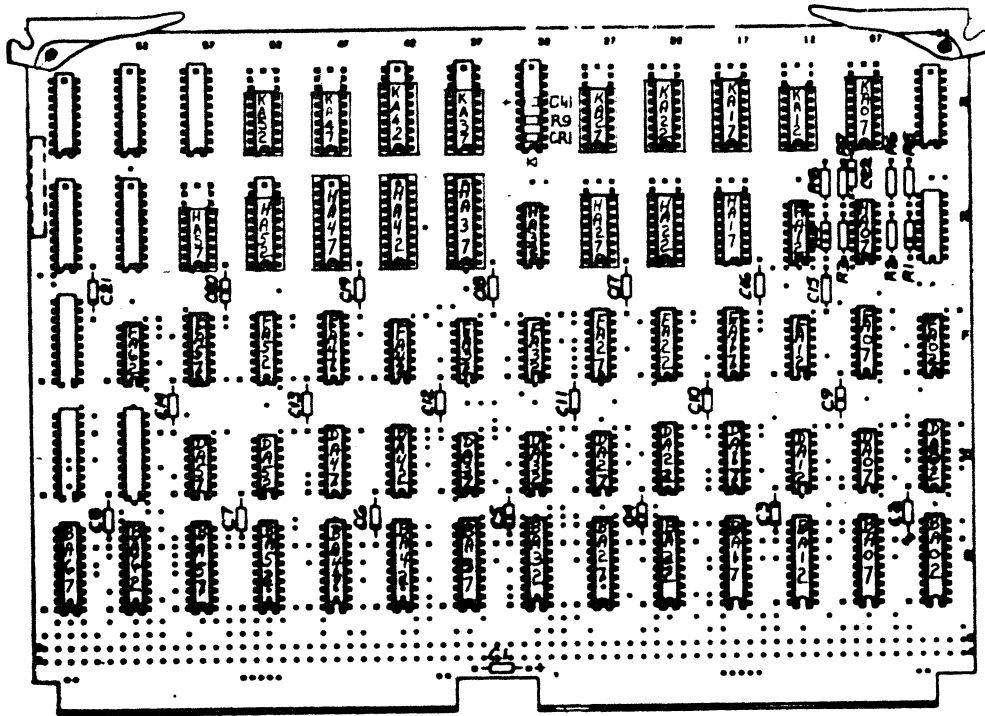
J
 K
 3
 1

ASSEMBLY PARTS LIST

BUILD ARC

PRINT DATE	PAGE	FIG NO
11-04-82	1	140

DIV	ASSEMBLY NUMBER	CD	REV.	DWG	DESCRIPTION	MC	STATUS	STATUS DATE	FILE DATE					
0500	43500082	3	C	N	SYS LGC GP, JL 43106306, PC	N	REL	10-18-82	1950	10-27-82				
T FIND NO	LI	PART NUMBER	CD	M	QUANTITY	U/M	PART DESCRIPTION	MC	YLD	E.C. NO. IN	E.C. NO. OUT	S/N	WK IN	WK OUT
000	01	43507066	9		REF	PC	CD LGC, JL AB001, PC	D						
001	01	43507067	7		REF	PC	SYS LGC, JL001, PC	D		44785	44785		8231	8231
001	02	402348201	3		REF	PC	SYS LGC, JL001, PC	D		44785			8231	
011	01	43507029	7		REF	PC	SYS LGC, JL011, PC	D		44785	44785		8231	8231
011	02	402348301	1		REF	PC	SYS LGC, JL011, PC	D		44785			8231	
015	01	402348401	9		REF	PC	SYS LGC, JL015, PC	D		44785			8231	
021	01	43507068	5		REF	PC	SYS LGC, JL021, PC	D		44785	44785		8231	8231
021	02	402348501	6		REF	PC	SYS LGC, JL021, PC	D		44785	58140		8231	8307
021	03	402348502	4		REF	PC	SYS LGC, JL021, PC	D		58140			8307	
031	01	43507031	3		REF	PC	SYS LGC, JL031, PC	D		44785	44785		8231	8231
031	02	402348601	4		REF	PC	SYS LGC, JL031, PC	D		44785			8231	
041	01	43507069	3		REF	PC	SYS LGC, JL041, PC	D		44785	44785		8231	8231
041	02	402348701	2		REF	PC	SYS LGC, JL041, PC	D		44785	58140		8231	8307
041	03	402348702	0		REF	PC	SYS LGC, JL041, PC	D		58140			8307	
051	01	43507033	9		REF	PC	SYS LGC, JL051, PC	D		44785	44785		8231	8231
051	02	402348801	0		REF	PC	SYS LGC, JL051, PC	D		44785	58140		8231	8307
051	03	402348802	8		REF	PC	SYS LGC, JL051, PC	D		58140			8307	
052	01	402348901	8		REF	PC	SYS LGC, JL052, PC	D		44785			8231	
055	01	43507034	7		REF	PC	SYS LGC, JL055, PC	D		44785	44785		8231	8231
055	02	402349001	6		REF	PC	SYS LGC, JL055, PC	D		44785			8231	
061	01	43507070	1		REF	PC	SYS LGC, JL061, PC	D		44785	44785		8231	8231
061	02	402349101	4		REF	PC	SYS LGC, JL061, PC	D		44785	58140		8231	8307
061	03	402349102	2		REF	PC	SYS LGC, JL061, PC	D		58140			8307	
071	01	43507061	0		REF	PC	SYS LGC, JL071, PC	D		44785	44785		8231	8231
071	02	402349201	2		REF	PC	SYS LGC, JL071, PC	D		44785	58140		8231	8307
071	03	402349202	0		REF	PC	SYS LGC, JL071, PC	D		58140			8307	
075	01	43507042	0		REF	PC	SYS LGC, JL075, PC	D		44785	44785		8231	8231
075	02	402349301	0		REF	PC	SYS LGC, JL075, PC	D		44785			8231	



4300-

JL CARD, MACHINE LATCHES / REGISTERS

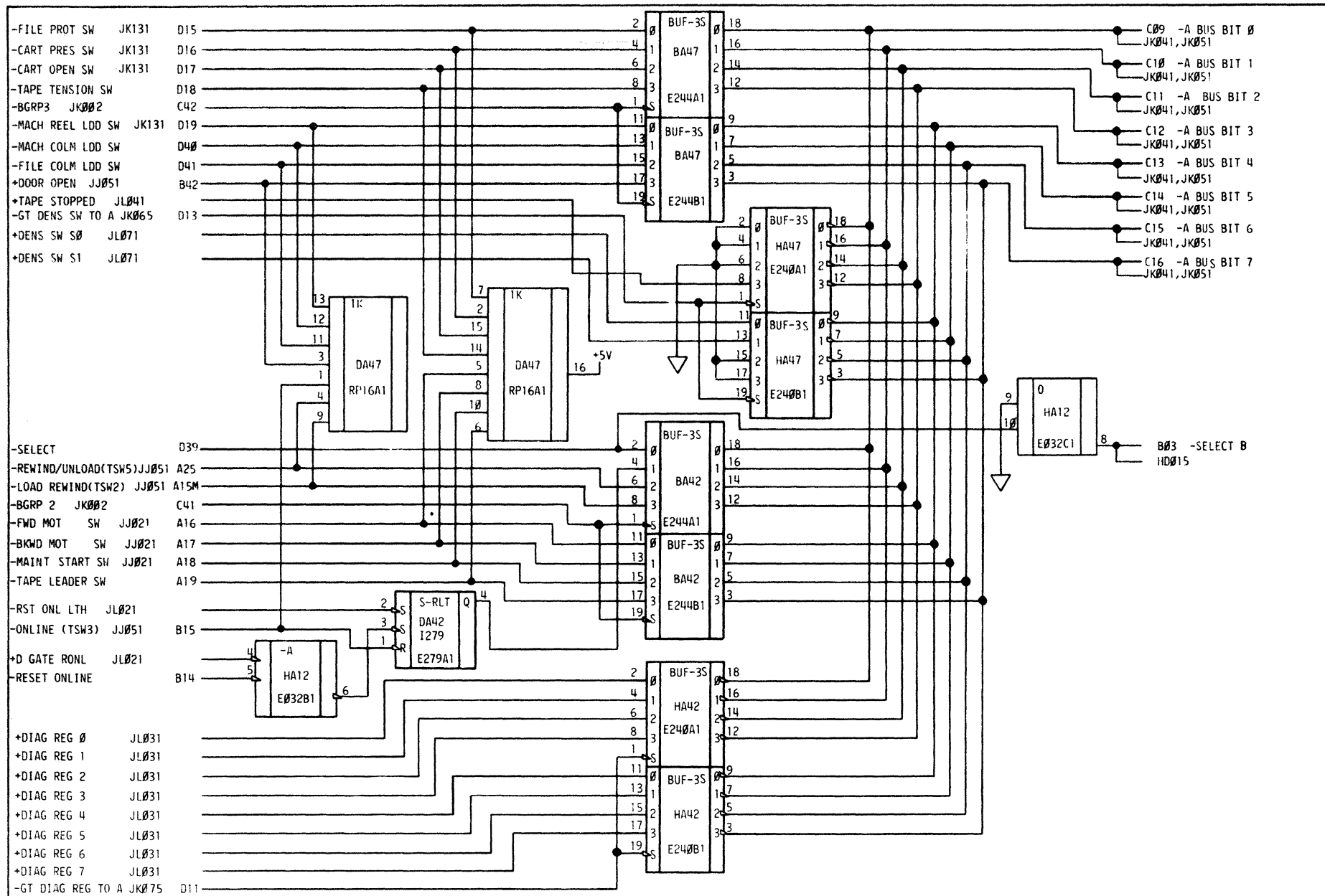
PREV. E.C. 44274
 PREV. E.C. 44409
 DATE 17 JUN 81

MACH. 1950
 VERS.
 SBL. ROT.

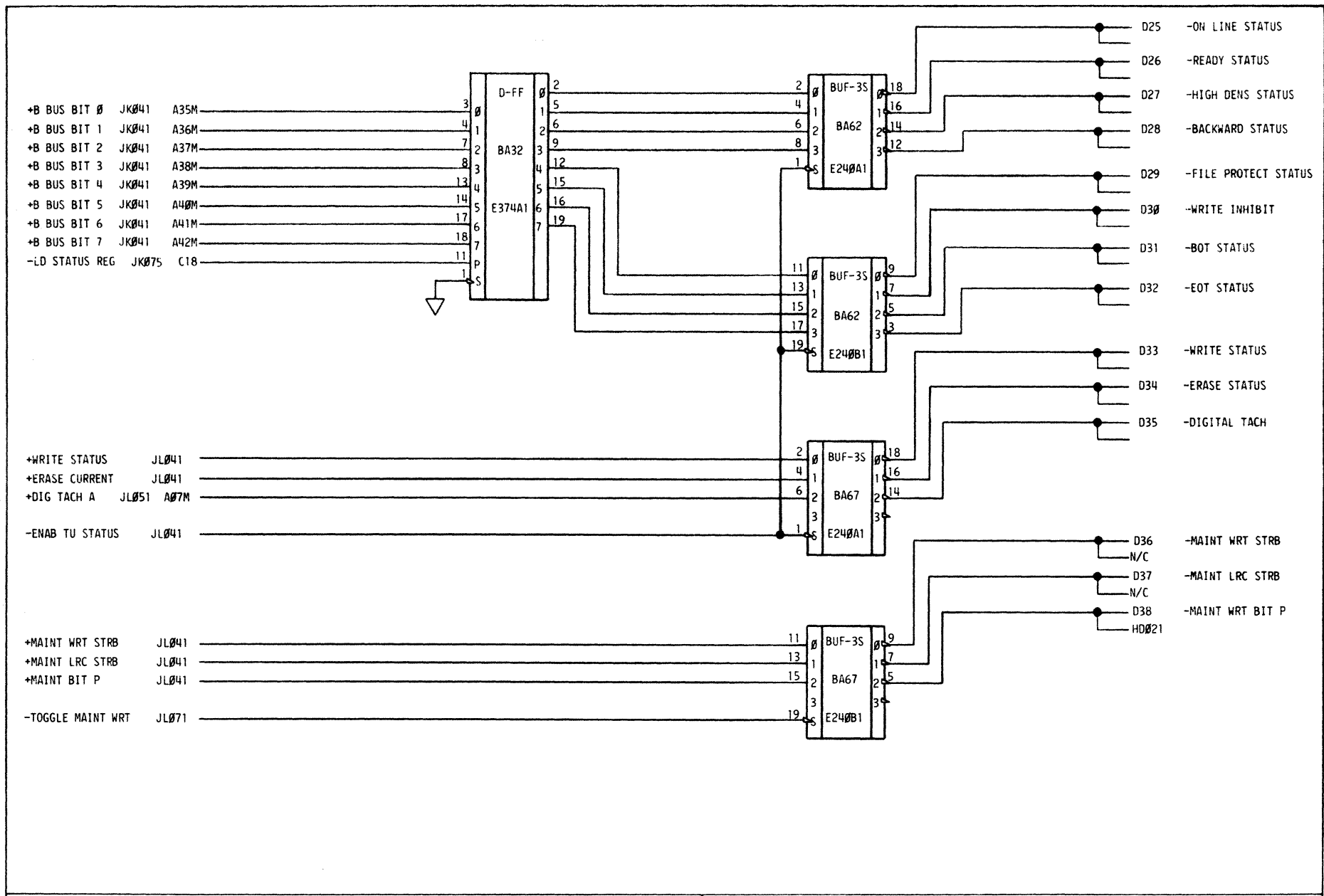
CD. LOC. D2
 DATE 1A
 FRAME

CD. RM. 43106306-4
 CD. TYPE JL
 PA. RM. 43507066-9

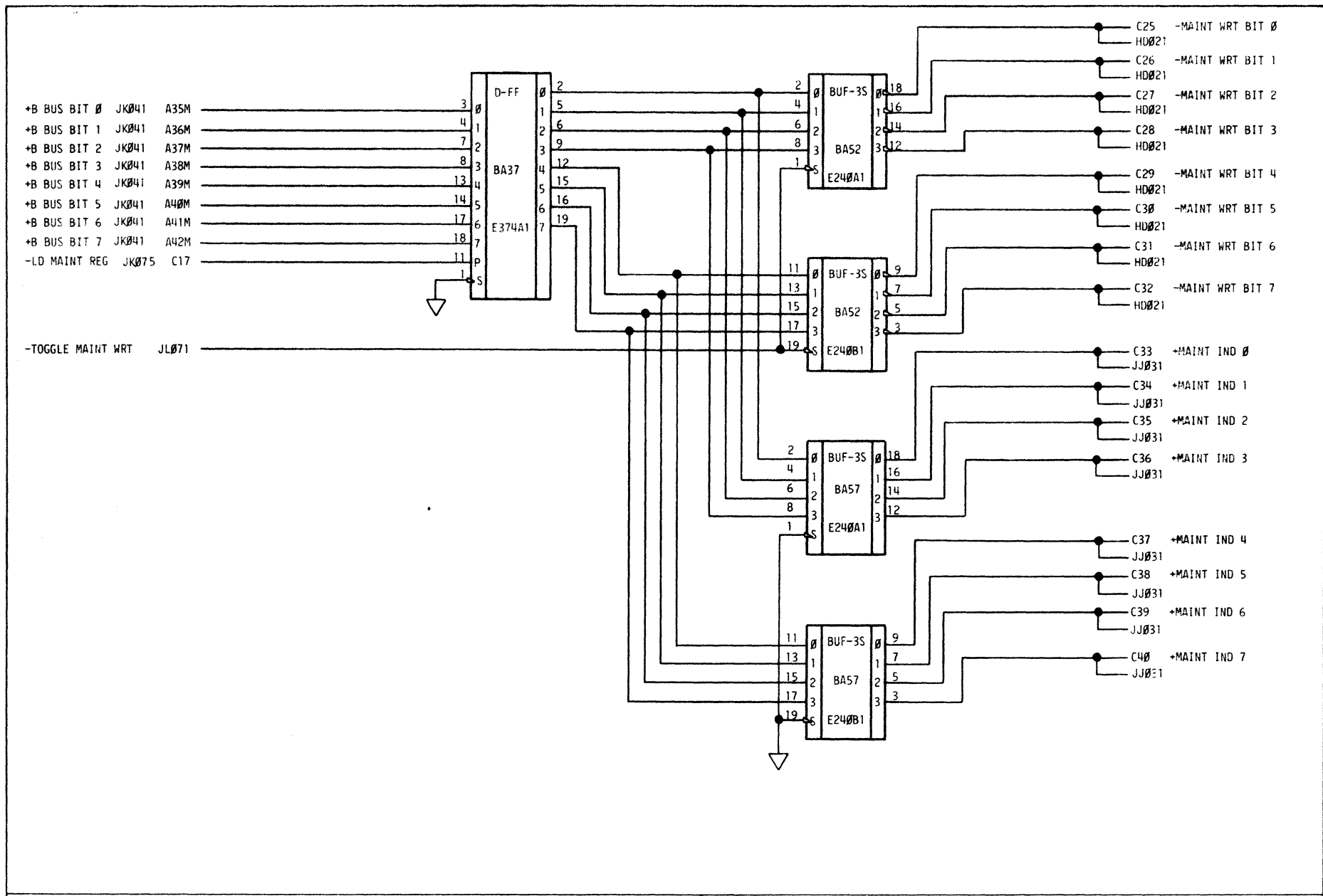
10001



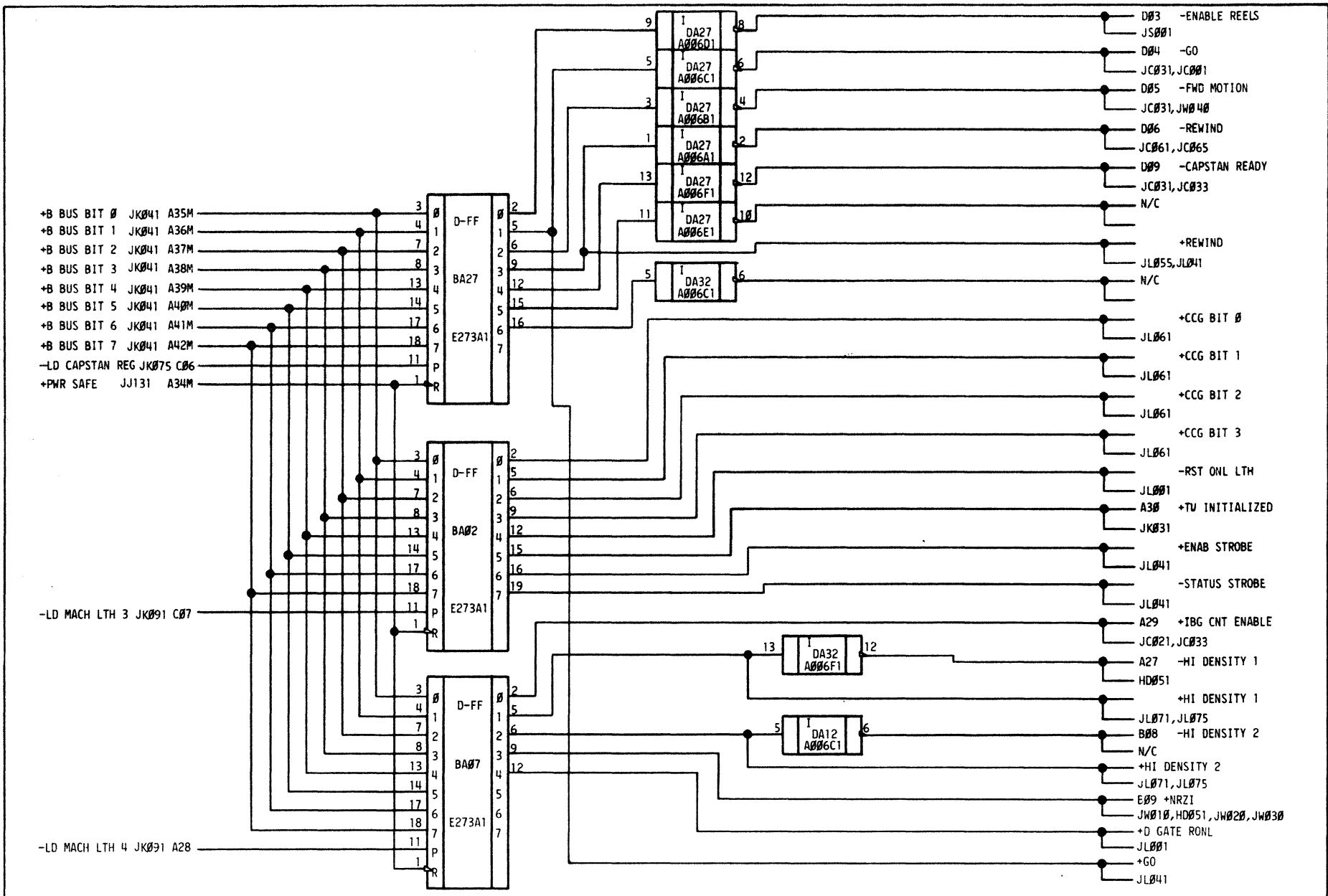
MACHINE SWITCHES TO A-BUS, BRANCH GROUPS 2,3			
PRES. E.C. 44785	MACH. 1950	CD. LOC. D2	CD. P.N.
PREV. E.C. NONE	VERS.	GATE	CD. TYPE JL
DATE 7-7-82	GBL. ROT.	FRAME	PG. PN 4023482-01



J L 0 1 1	STATUS OUTPUT REGS				J L 0 1 1
	PREV. E.C. 44785	MACH. 1950	CD. LOC. D2	CD. PN. JL	
	DATE 7-7-82	GBL. ROT.	GATE TA	CD. TYPE	
			FRAME	PG. PN. 4023483-01	



J L 0 1 5	MAINT OUTPUT REGS				J L 0 1 5
	PREV. E.C.	44785	MACH. VERS.	1950	
	PREV. E.C.	NONE	CD. LOC.	D2	
	DATE	7-7-82	GATE FRAME	1A	
		CD. TYPE	JL	CD. P.N.	
		PG. P.N.	4023484-01		

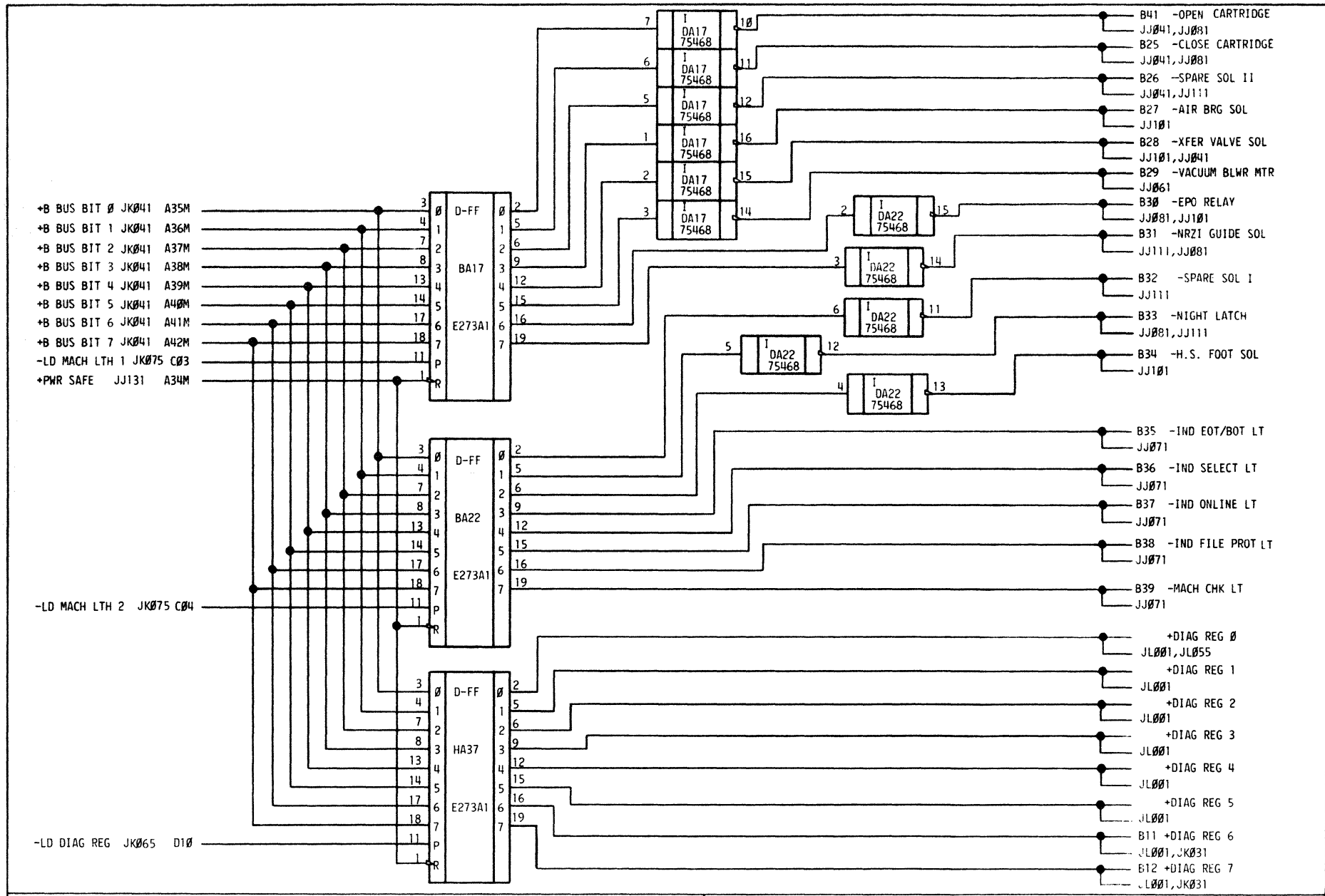


JL021

REEL/CAPSTAN REGISTER

PRES. E.C. 58140	MACH. 1950	CD. LOC. D2	CD. P.N.
PREV. E.C. 44785	VERS. GBL. ROT.	GATE FRAME 1A	CD. TYPE JL
DATE 10-27-82			PG. P.N. 4023485-02

JL021

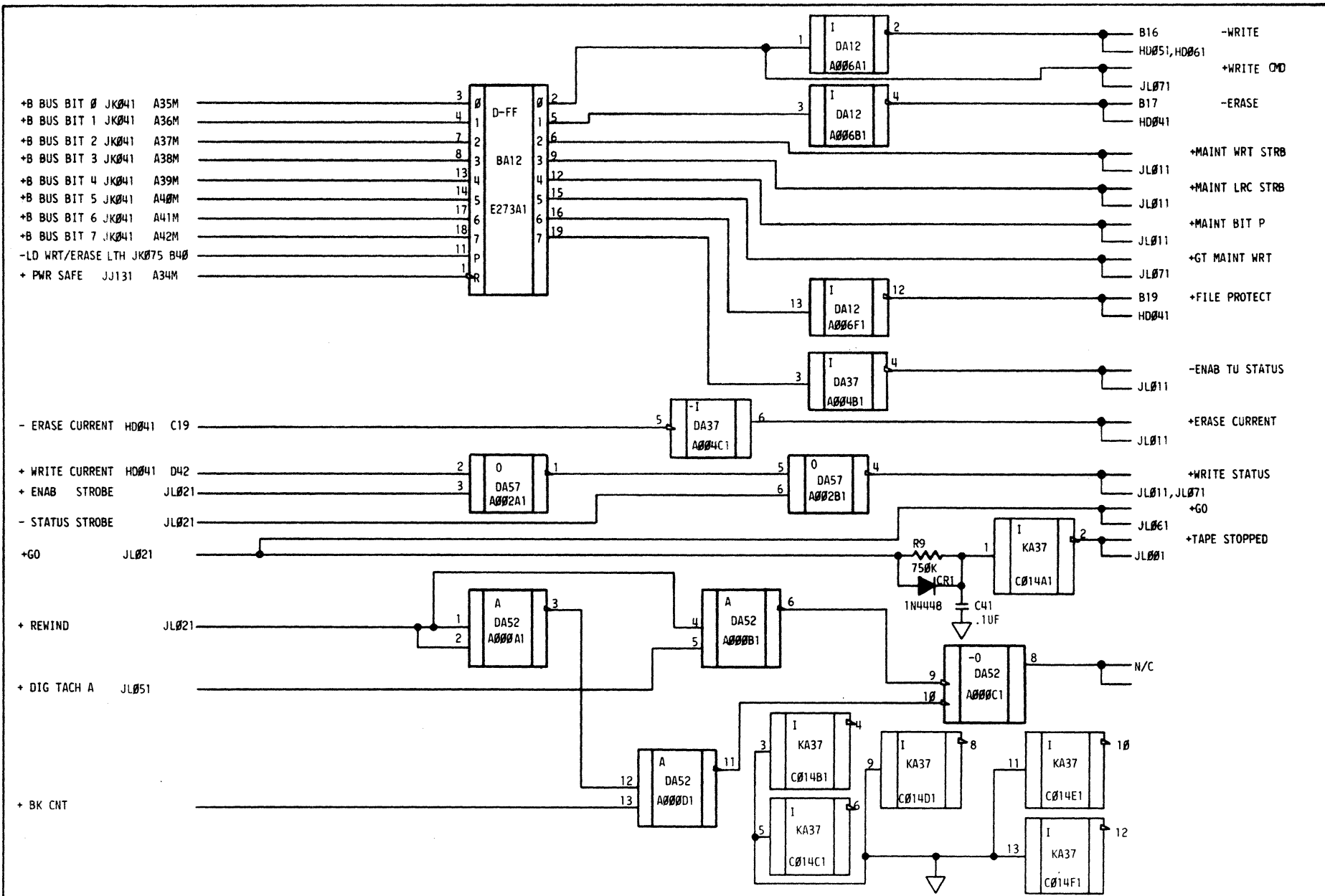


NOTE: 75468 MODULE REQUIRES NO +5V SO THE MODULES SHOULD NOT CONTACT THE +5V VOLTAGE PLANE.

		MACHINE LTHS					
PRES. E.C.	44785	MACH. VERS.	1950	CD. LOC.	D2	CD. PN.	JL
PREV. E.C.	NONE	GBL. ROT.		GATE FRAME	1A	CD. TYPE	JL
DATE	7-7-82					PG. PN.	4023486-01

J
L
0
3
1

J
L
0
3
1



+B BUS BIT 0 JK041 A35M
 +B BUS BIT 1 JK041 A36M
 +B BUS BIT 2 JK041 A37M
 +B BUS BIT 3 JK041 A38M
 +B BUS BIT 4 JK041 A39M
 +B BUS BIT 5 JK041 A40M
 +B BUS BIT 6 JK041 A41M
 +B BUS BIT 7 JK041 A42M
 -LD WRT/ERASE LTH JK075 B40
 + PWR SAFE JJ131 A34M

- ERASE CURRENT HD041 C19

+ WRITE CURRENT HD041 D42

+ ENAB STROBE JL021

- STATUS STROBE JL021

+GO JL021

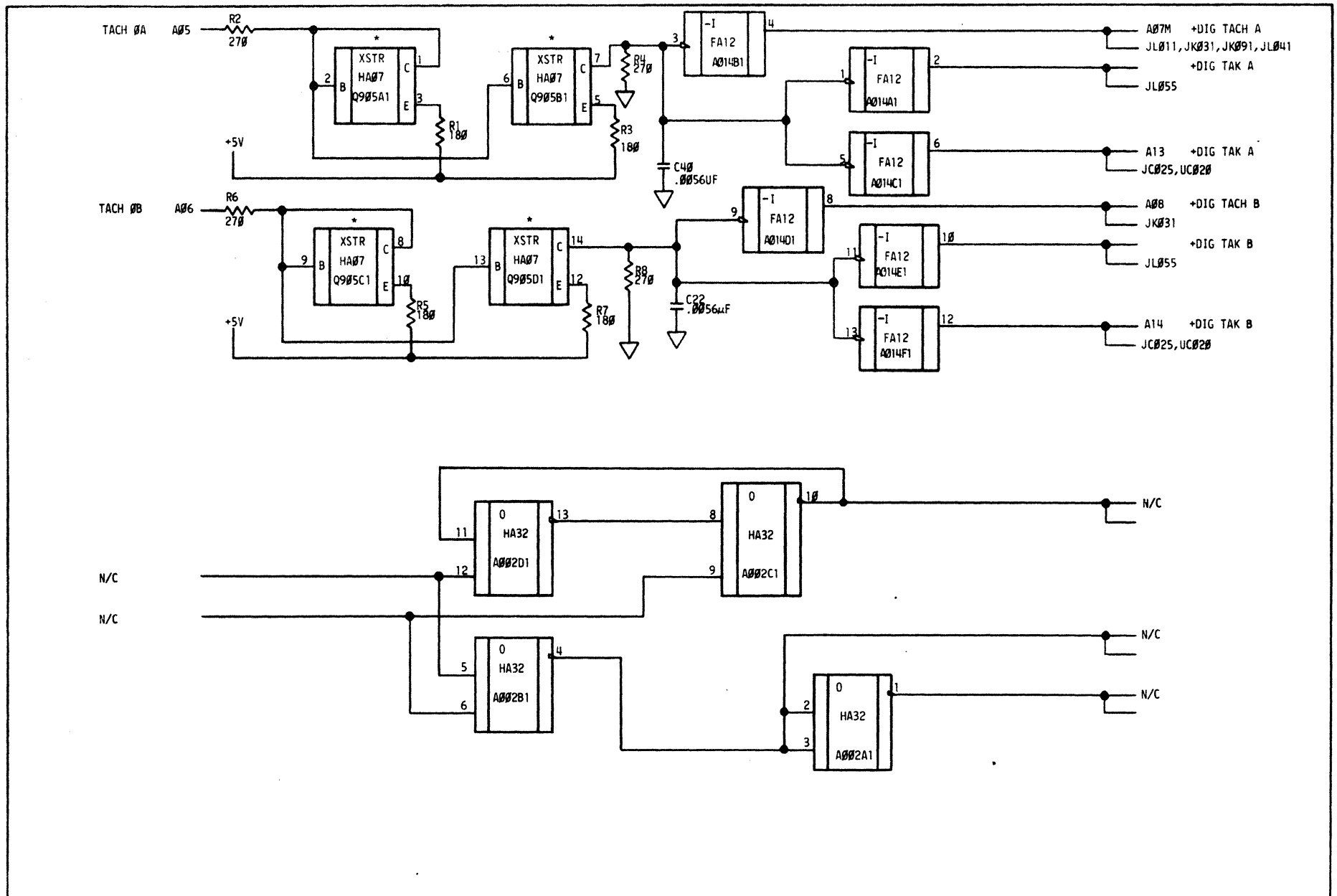
+ REWIND JL021

+ DIG TACH A JL051

+ BK CNT

B16 -WRITE
 HD051, HD061
 +WRITE CMD
 JL071
 B17 -ERASE
 HD041
 +MAINT WRT STRB
 JL011
 +MAINT LRC STRB
 JL011
 +MAINT BIT P
 JL011
 +GT MAINT WRT
 JL071
 B19 +FILE PROTECT
 HD041
 -ENAB TU STATUS
 JL011
 +ERASE CURRENT
 JL011
 +WRITE STATUS
 JL011, JL071
 +GO
 JL061
 +TAPE STOPPED
 JL001

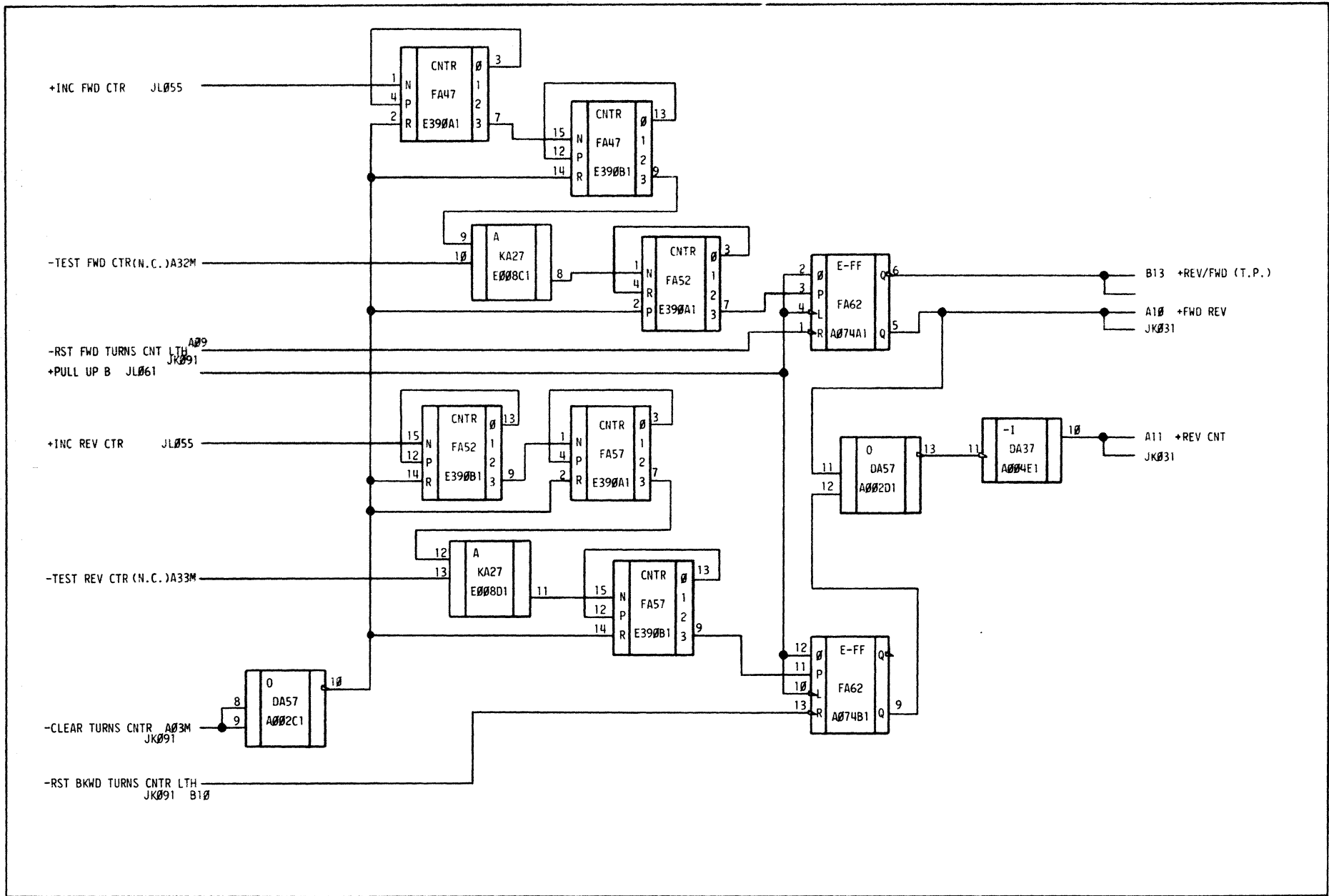
J L 0 4 1	WRT/ERASE LTH				J L 0 4 1
PRES. E.C. 58140		MACH. 1950		CD. LOC. D2	
PREV. E.C. 44785		VERS. GBL. ROT.		GATE FRAME 1A	
DATE 10-27-82				CD. P.N. 4023487-02	
				PG. PN. 4023487-02	



* TRANSISTOR MODULES SHOULD NOT CONTACT +5V OR GROUND PLANES

DIGITAL TACH A & B

PREV. E.C. 58140 PREV. E.C. 44785 DATE 10-27-82	MACH. 1950 VERS. OBL. ROT.	CD. LOC. D2 GATE TA FRAME	CD. P.N. JL CD. TYPE PG. P.N. 4023488-02
---	----------------------------------	---------------------------------	--

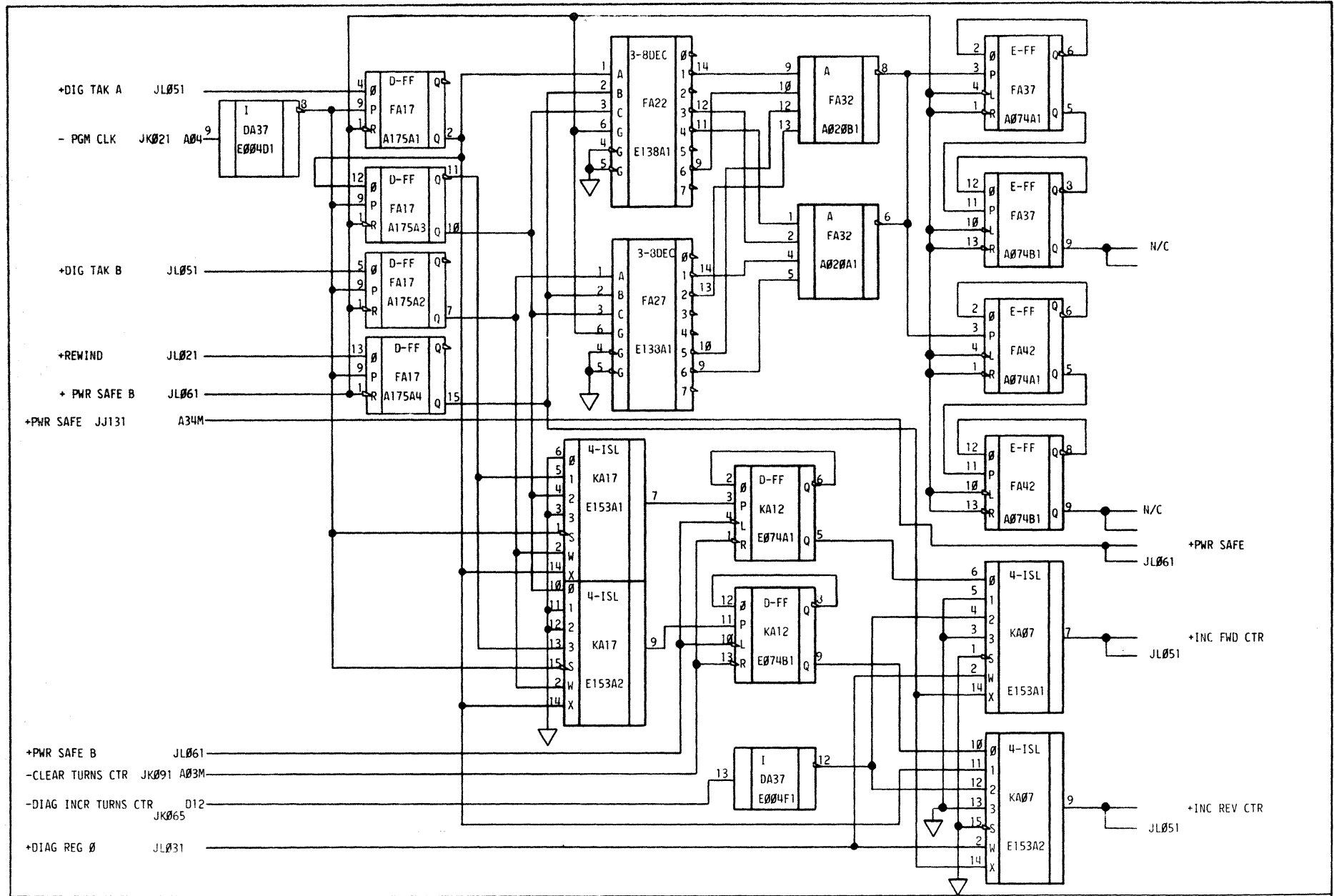


CAPSTAN TURNS COUNTER

PRES. E.C.	44785	MACH.	1950	CD. LOC.	D2	CD. PN.	JL
PREV. E.C.	NONE	VERS.		GATE	1A	CD. TYPE	JL
DATE	7-7-82	GBL. ROT.		FRAME		PG. PN.	4023489-01

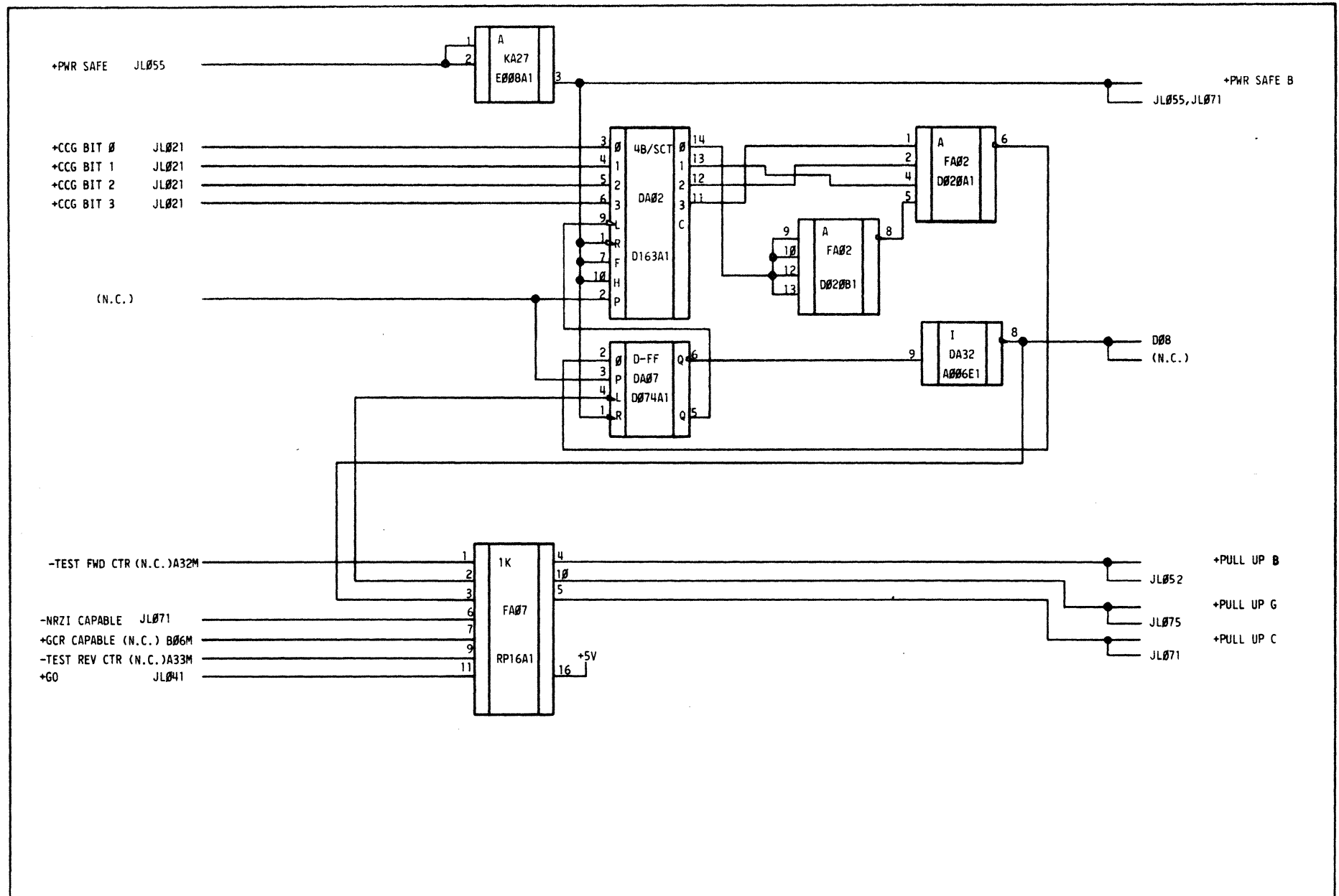
NUMBER 1

NUMBER 1



CAPSTAN TURNS COUNTER

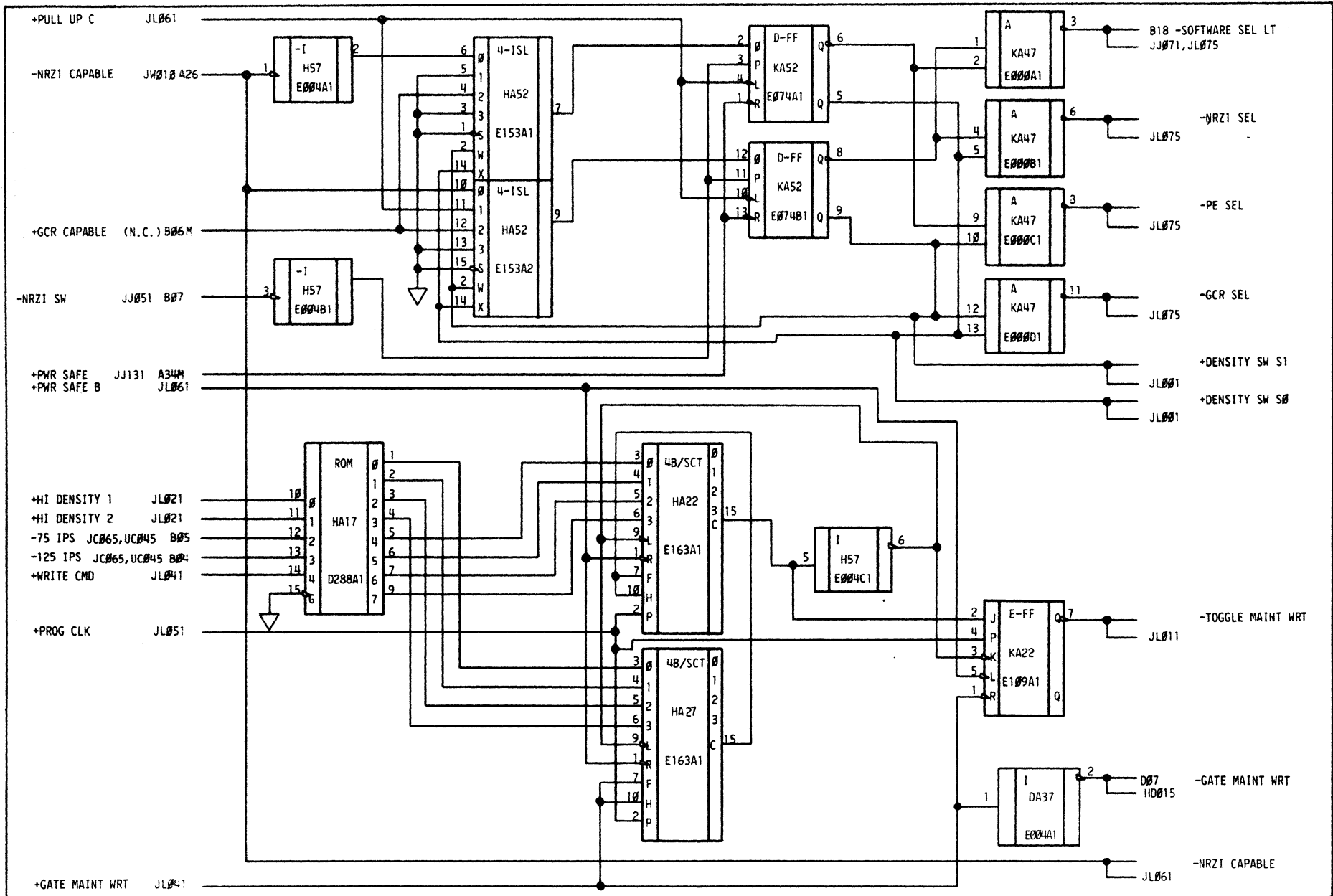
PRES. E.C.	44785	MACH.	1950	CD. LOC.	D2	CD. P.N.	
PREV. E.C.	NONE	VERS.		GATE	1A	CD. TYPE	J1
DATE	7-7-82	GBL. ROT.		FRAME		PG. P.N.	4023490-01



CAPSTAN SERVO CLOCK GENERATOR

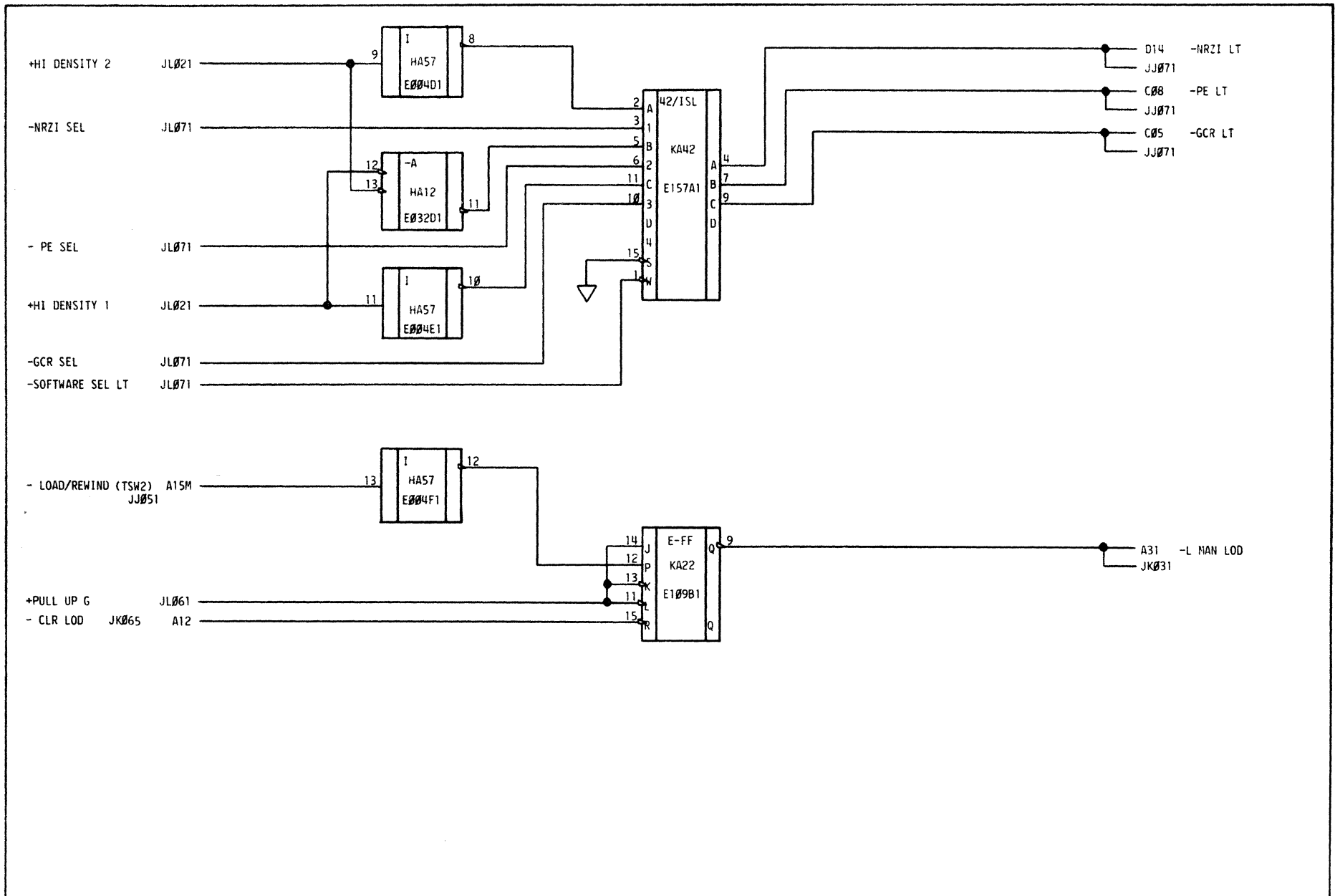
PRES. E.C. 58140 PREV. E.C. 44785 DATE 10-27-82	MACH. 1950 VERS. GBL. ROT.	CD. LOC. D2 GATE 1A FRAME	CD. P.N. JL CD. TYPE JL PG. P.N. 4023491-02
---	-------------------------------	---------------------------------	---

JL055



DENSITY SELECT/MAINTENANCE WRITE

PRES. E.C. 58140 PREV. E.C. 44785 DATE 10-27-82	MACH. 1958 VERS. OBL. ROT.	CD. LOC. D2 GATE 1A FRAME	CD. PN. JL CO. TYPE PG. PN. 4823492-02
---	----------------------------------	---------------------------------	--



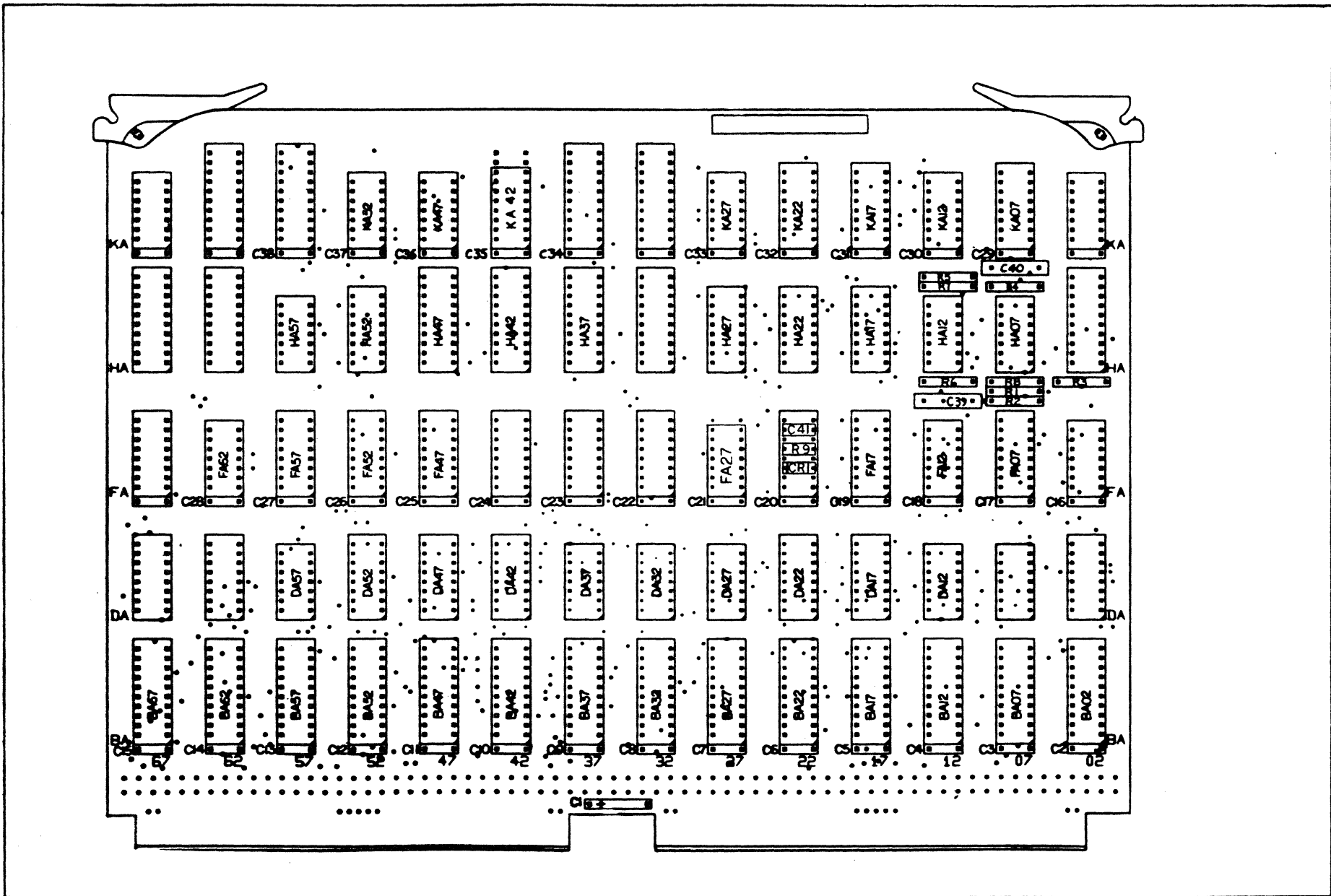
DENS IND DECODE, LOAD LATCH			
PRES. E.C.	44785	MACH.	1950
PREV. E.C.	NONE	VERS.	
DATE	7-7 -82	GBL. ROT.	
CD. LOC.	D2	CD. P.N.	
GATE	1A	CD. TYPE	JL
FRAME		PG. P.N.	4023493-01

ASSEMBLY PARTS LIST

BOILED ARC

PRINT DATE	PAGE	FIG. NO.
11-04-82	1	140

DIV.		ASSEMBLY NUMBER		CD	REV.	DWG.	DESCRIPTION			MC	STATUS	STATUS DATE		FILE DATE				
0500		401563701		2	C	N	SYS LGC GP, JL, 43106406, PC			N	REL	10-18-82		1950		10-27-82		
T	FIND NO	LI	PART NUMBER	CD	M	QUANTITY	U/M	PART DESCRIPTION			MC	YLD	EC NO IN	EC NO OUT	S.N	WK IN	WK OUT	
	000	01	401563801	0		REF		PC	CD LGC, JL, AB001, PC			D						
	001	01	401563901	8		REF		PC	SYS LGC, JL001, PC			D			44785			8231
	001	02	402349401	8		REF		PC	SYS LGC, JL001, PC			D		44785			8231	
	011	01	43507020	6		REF		PC	SYS LGC, JL011, PC			D			44785			8231
	011	02	402349501	5		REF		PC	SYS LGC, JL011, PC			D		44785			8231	
	015	01	402349601	3		REF		PC	SYS LGC, JL015, PC			D		44785			8231	
	021	01	401563401	9		REF		PC	SYS LGC, JL021, PC			D			44785			8231
	021	02	402349701	1		REF		PC	SYS LGC, JL021, PC			D		44785	58140		8231	8307
	021	03	402349702	9		REF		PC	SYS, LGC, JL021, PC			D		58140			8307	
	031	01	43507022	2		REF		PC	SYS LGC, JL031, PC			D			44785			8231
	031	02	402349801	9		REF		PC	SYS LGC, JL031, PC			D		44785			8231	
	041	01	401563501	6		REF		PC	SYS LGC, JL041			D			44785			8231
	041	02	402349901	7		REF		PC	SYS LGC, JL041, PC			D		44785	58140		8231	8307
	041	03	402349902	5		REF		PC	SYS LGC, JL041, PC			D		58140			8307	
	051	01	401567001	3		REF		PC	SYS LGC, JL051, PC			D			44785			8231
	051	02	402350001	2		REF		PC	SYS LGC, JL051, PC			D		44785	58140		8231	8307
	051	03	402350502	9		REF		PC	SYS, LGC, JL051, PC			D		58140			8307	
	052	01	402350101	0		REF		PC	SYS LGC, JL052, PC			D		44785	58140		8231	8307
	052	02	402350602	7		REF		PC	SYS, LGC, JL052, PC			D		58140			8307	
	055	01	401563601	4		REF		PC	SYS LGC, JL055, PC			D			44785			8231
	055	02	402350201	8		REF		PC	SYS LGC, JL055, PC			D		44785	58140		8231	8307
	055	03	402350202	6		REF		PC	SYS LGC, JL055, PC			D		58140			8307	
	071	01	401571501	6		REF		PC	SYS LGC, JL071, PC			D			44785			8231
	071	02	402350301	6		REF		PC	SYS LGC, JL071, PC			D		44785	58140		8231	8307
	071	03	402350302	4		REF		PC	SYS LGC, JL071, PC			D		58140			8307	
	075	01	43507047	9		REF		PC	SYS LGC JL075 PC			D			44785			8231
	075	02	402350401	4		REF		PC	SYS LGC, JL075, PC			D		44785	58140		8231	8307
	075	03	402350402	2		REF		PC	SYS, LGC, JL075, PC			D		58140			8307	
	500	01	43106406	2		REF		PC	CKT CD, JL, PC ASSY			S						



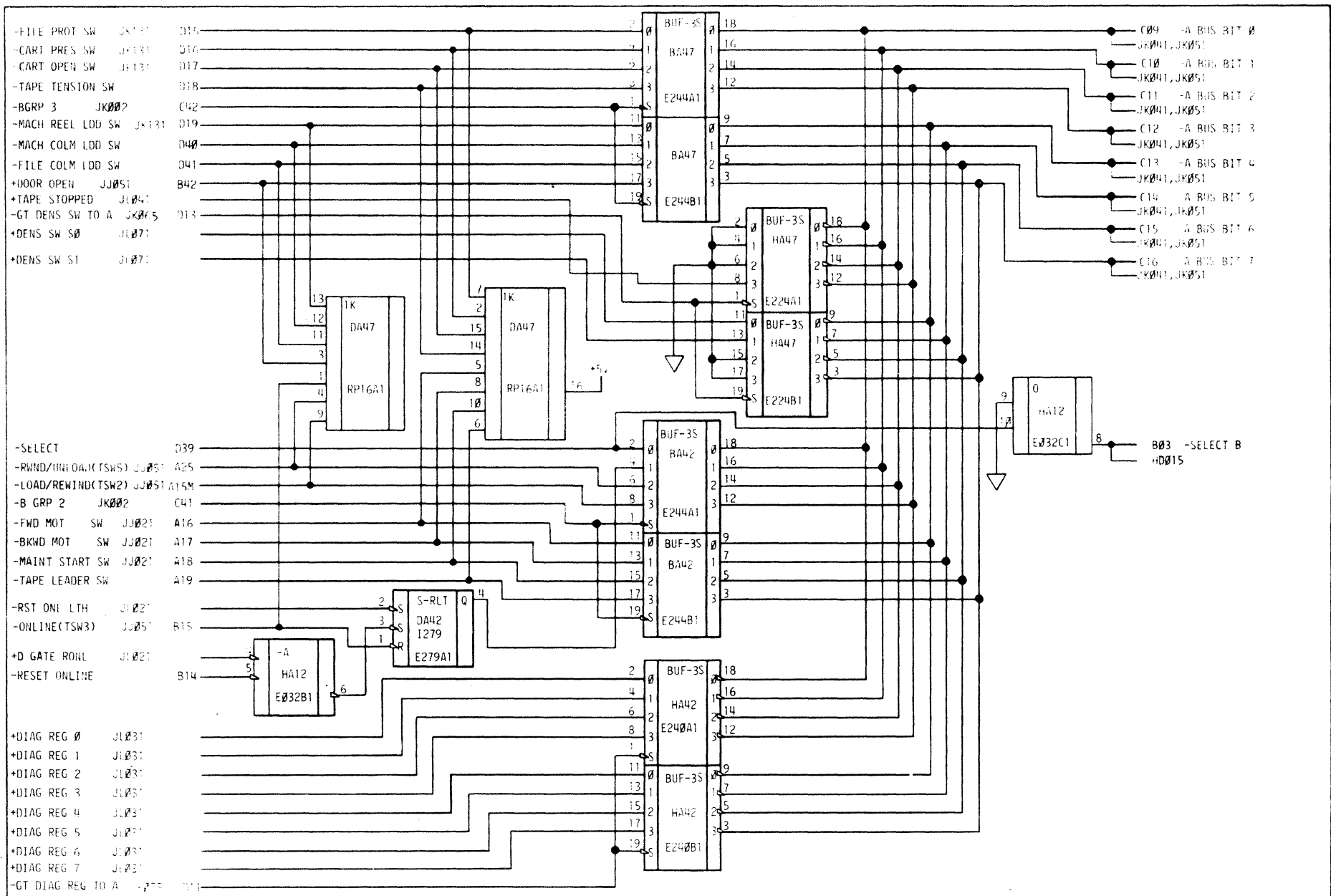
JL CARD, MACHINE LATCHES/REGISTERS

PREV. E.C. 44274
 REV. E.C. 44409
 DATE 16 JUN 61

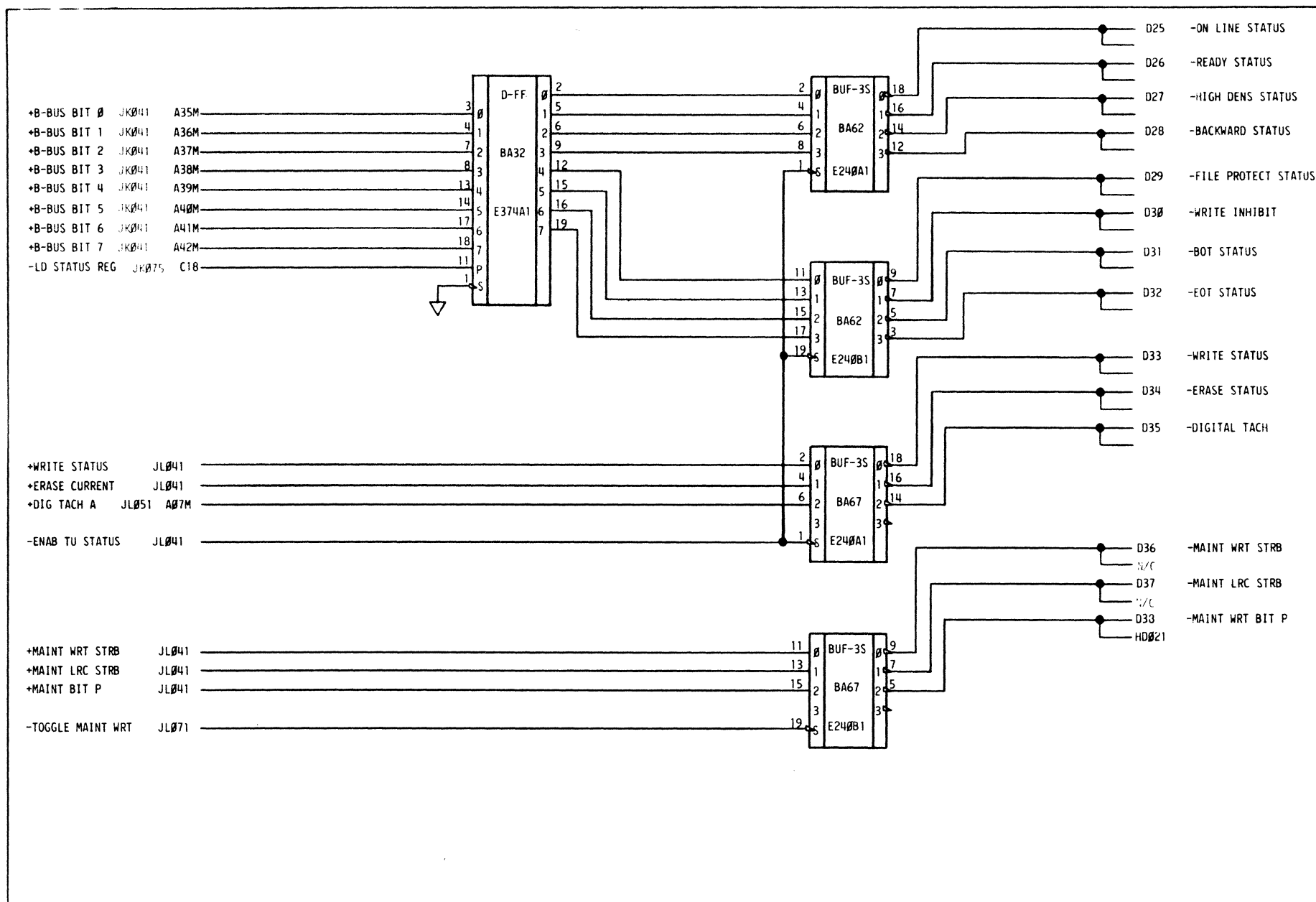
MACH. 1950
 VERS.
 SBL. ROT.

CD. LOC. D2
 SATE. 1A
 FRAME

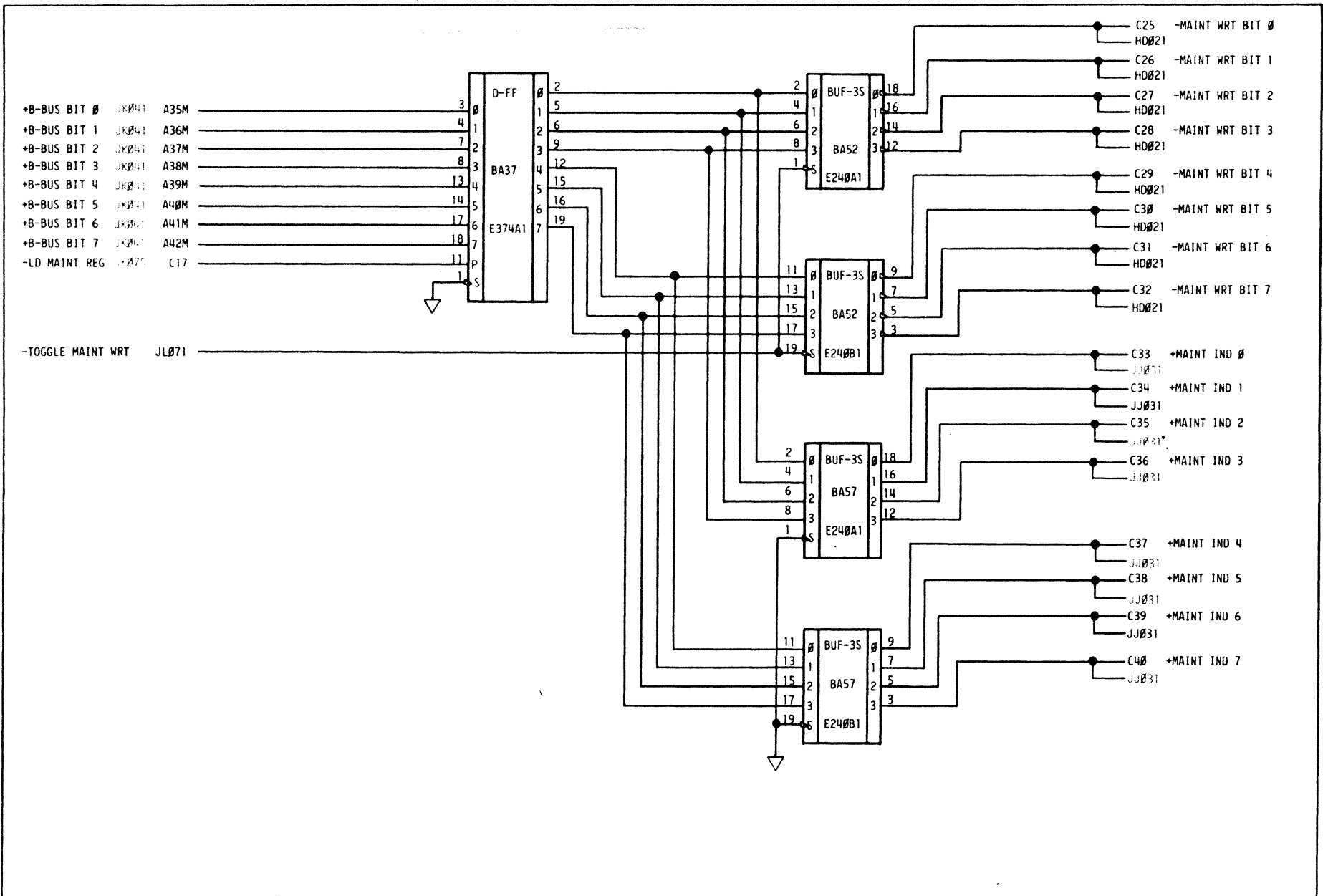
CD. P.N. 43106406-2
 CD. TYPE
 PG. P.N. 401563801-D



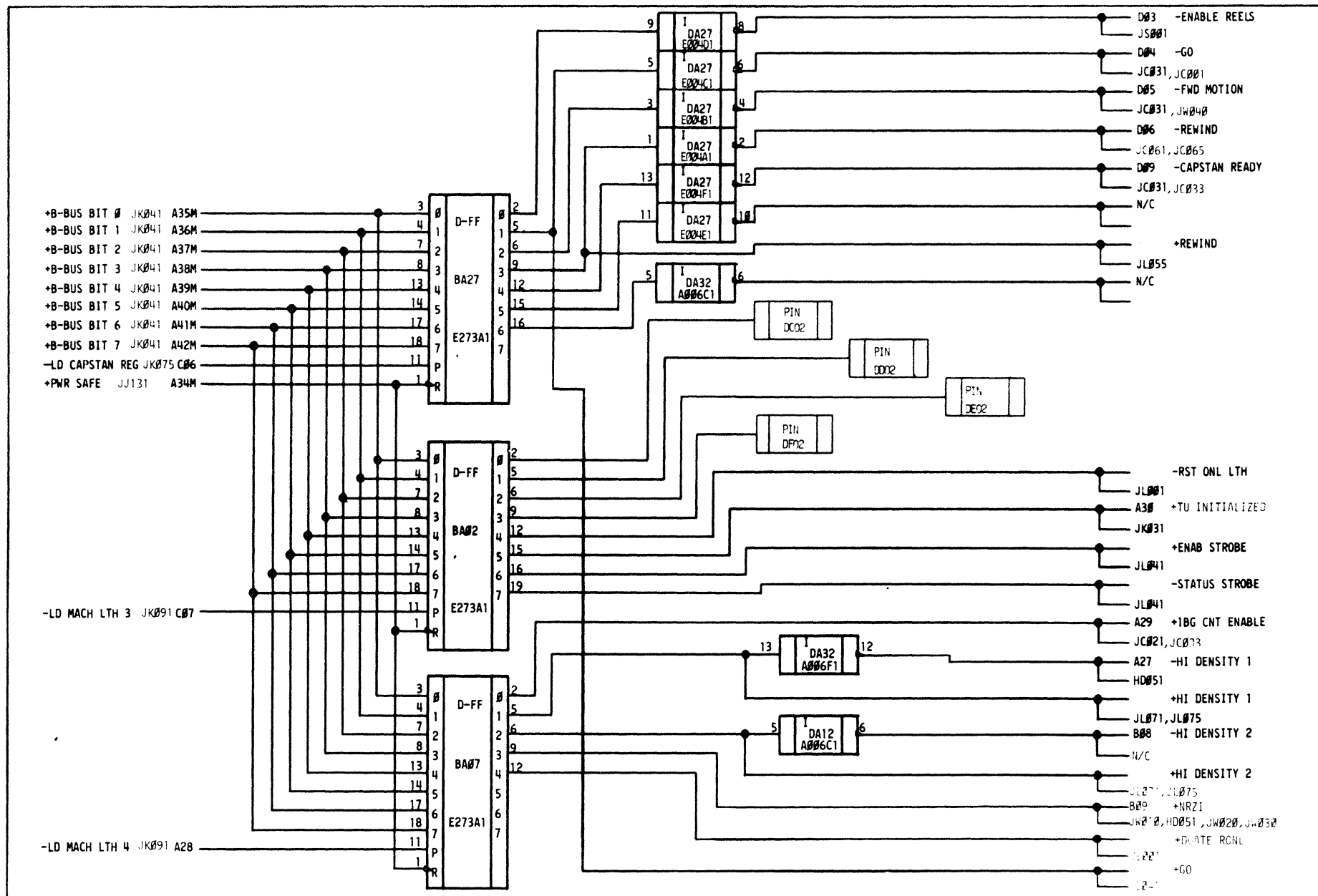
J L 0 1	MACHINE SWITCHES TO A-BUS, BRANCH GROUPS 2,3				J L 0 1
	PRE. E. C. 44785	MACH. 1950	CD. LOC. 02	CD. P.N.	
	PREV. E. C. NONE	VERS. GBL. ROT.	GATE 1A	CD. TYPE	
	DATE 7-7-02		FRAME	PG. PN. 6232494-21	



J L 0 1 1	STATUS OUTPUT REGS				J L 0 1 1
	PRES. E.C. 44785 PREV. E.C. NONE DATE 7-7-82	MACH. 1950 VERS. GBL. ROT.	CD. LOC. D2 GATE TA FRAME	CD. P.N. JL CD. TYPE JL PG. P.N. 40221-95-21	



J L 0 1 5	MAINT OUTPUT REGS				J L 0 1 5
	PRES. E.C. 44785	MACH. 1950	CD. LOC. D2	CD. P.N.	
	PREV. E.C. NONE	GBL. ROT.	GATE 1A	CD. TYPE JL	
	DATE 7-7-82		FRAME	PG. P.N. 0023496-01	

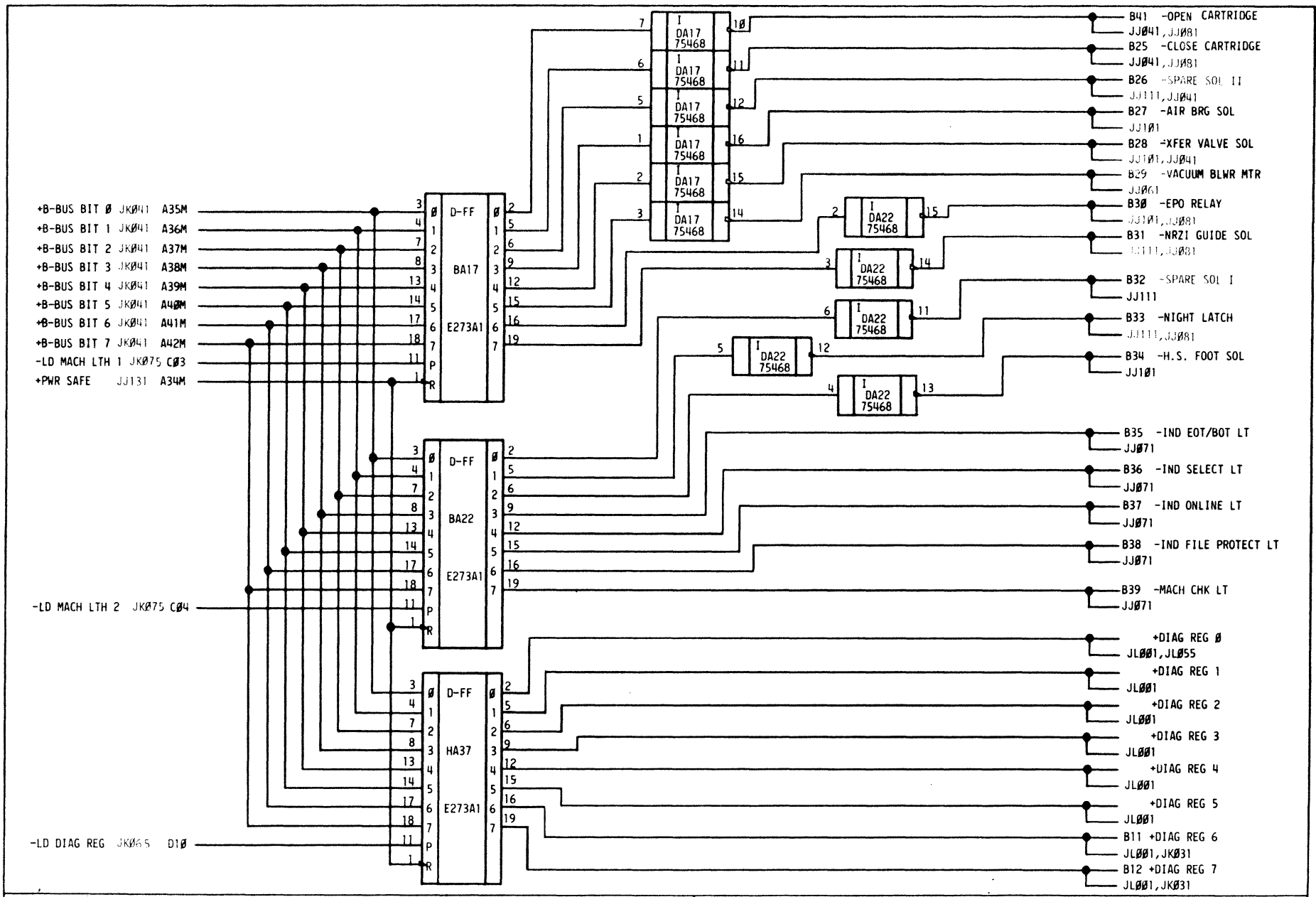


REEL/CAPSTAN REGISTER

PRES. E.C. 58140 PREV. E.C. 47785 DATE 10-28-82	MACH. 1950 VERS. SBL. ROT.	CD. LOC. D2 GATE 1A FRAME	CD. PN. JL CD. TYPE PG. PN. 4023497-82
---	----------------------------------	---------------------------------	--

GAF Polytrace 033

JL 021



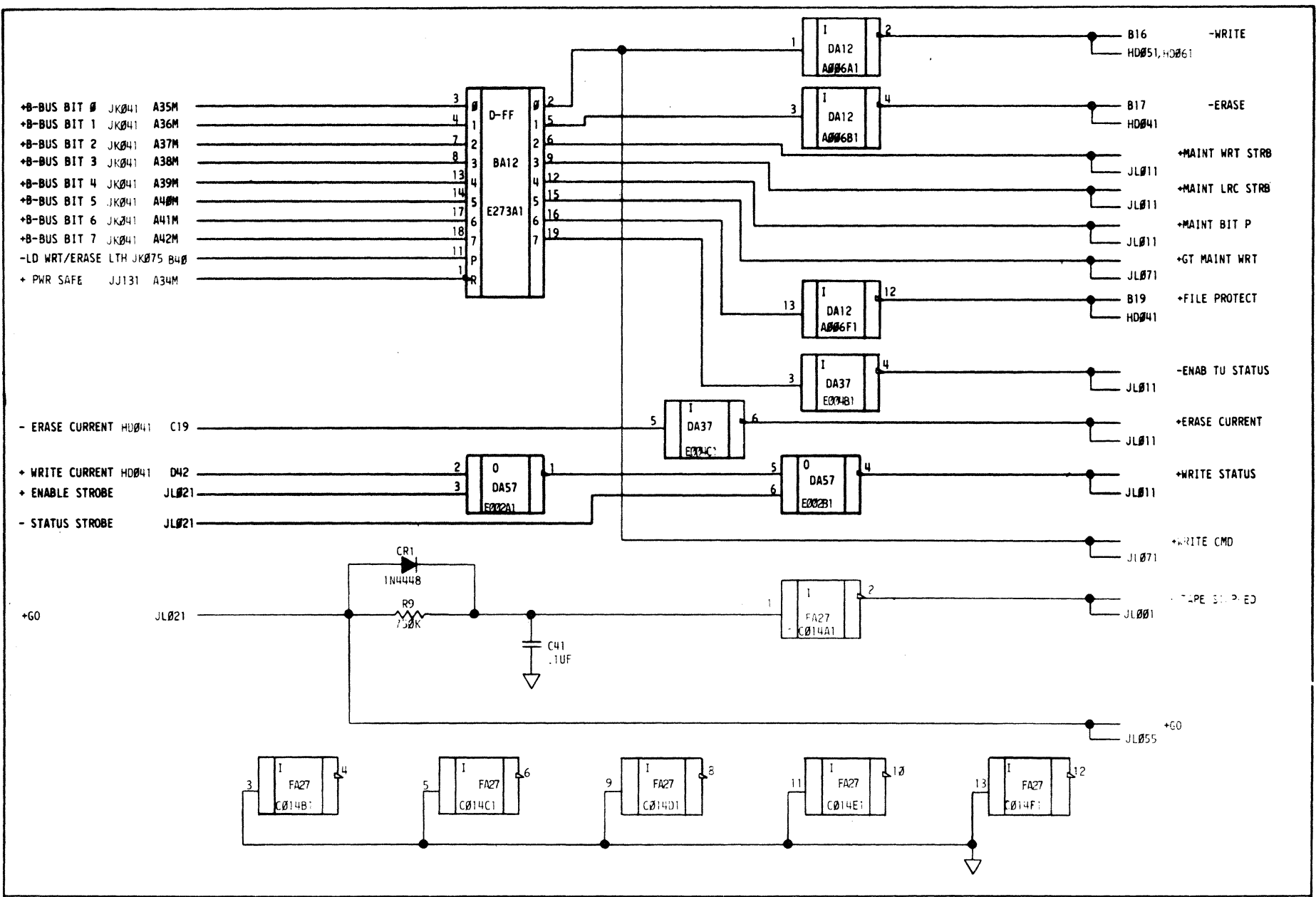
+B-BUS BIT 0 JK041 A35M
 +B-BUS BIT 1 JK041 A36M
 +B-BUS BIT 2 JK041 A37M
 +B-BUS BIT 3 JK041 A38M
 +B-BUS BIT 4 JK041 A39M
 +B-BUS BIT 5 JK041 A40M
 +B-BUS BIT 6 JK041 A41M
 +B-BUS BIT 7 JK041 A42M
 -LD MACH LTH 1 JK075 C03
 +PWR SAFE JJ131 A34M

-LD MACH LTH 2 JK075 C04

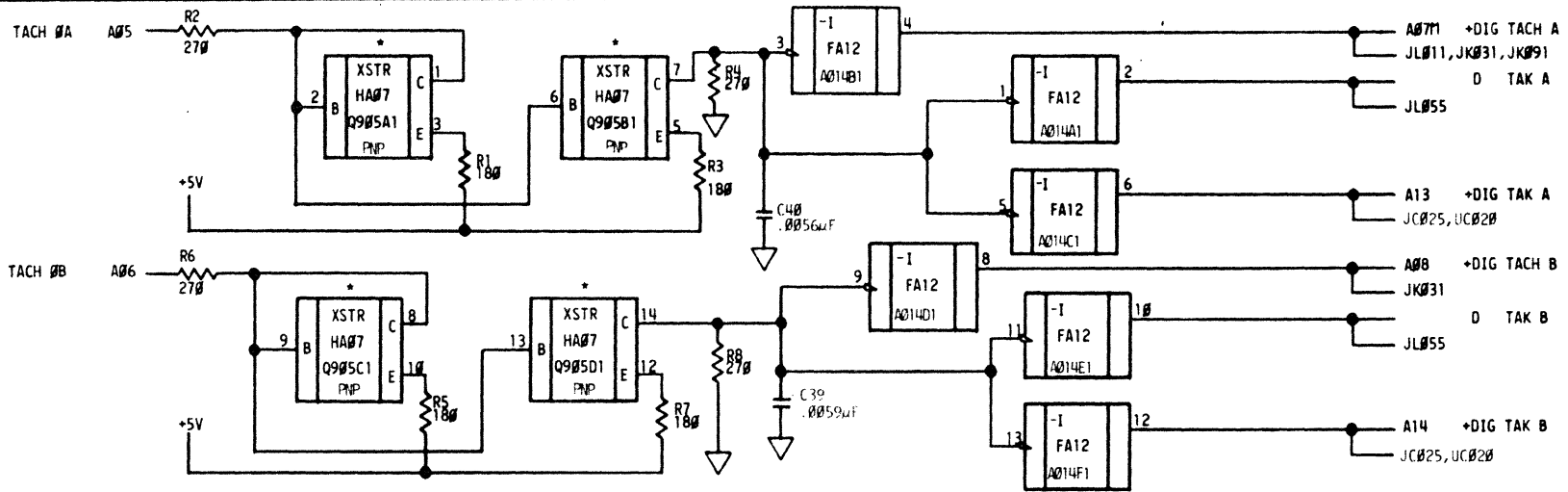
-LD DIAG REG JK065 D10

NOTE: 75468 MODULE REQUIRES NO +5V SO THE MODULES SHOULD NOT CONTACT THE +5V VOLTAGE PLANE.

MACHINE LTHS		CD. LOC. 02		CD. P.N.	
PRES. E.C. 00785	MACH. 1950	GATE 1A	CD. TYPE JL	PG. P.N. 4023498-01	
PREV. E.C. NONE	VERS. 7-782	FRAME			
DATE	GBL. ROT.				



J L 0 4	WRT/ERASE LTH/STICION BIT TIMER				J L 0 4
	PREP. E.C. 58142	MACH. 195#	CD. LOC. 02	CD. RN.	
	REV. E.C. 44780	VERS.	GATE 1A	CD. TYPE JL	
	DATE 10-20-02	SBL. ROT.	FRAME	PG. RN. 4023499-02	



* TRANSISTOR MODULES SHOULD NOT CONTACT
+5V OR GROUND PLANES

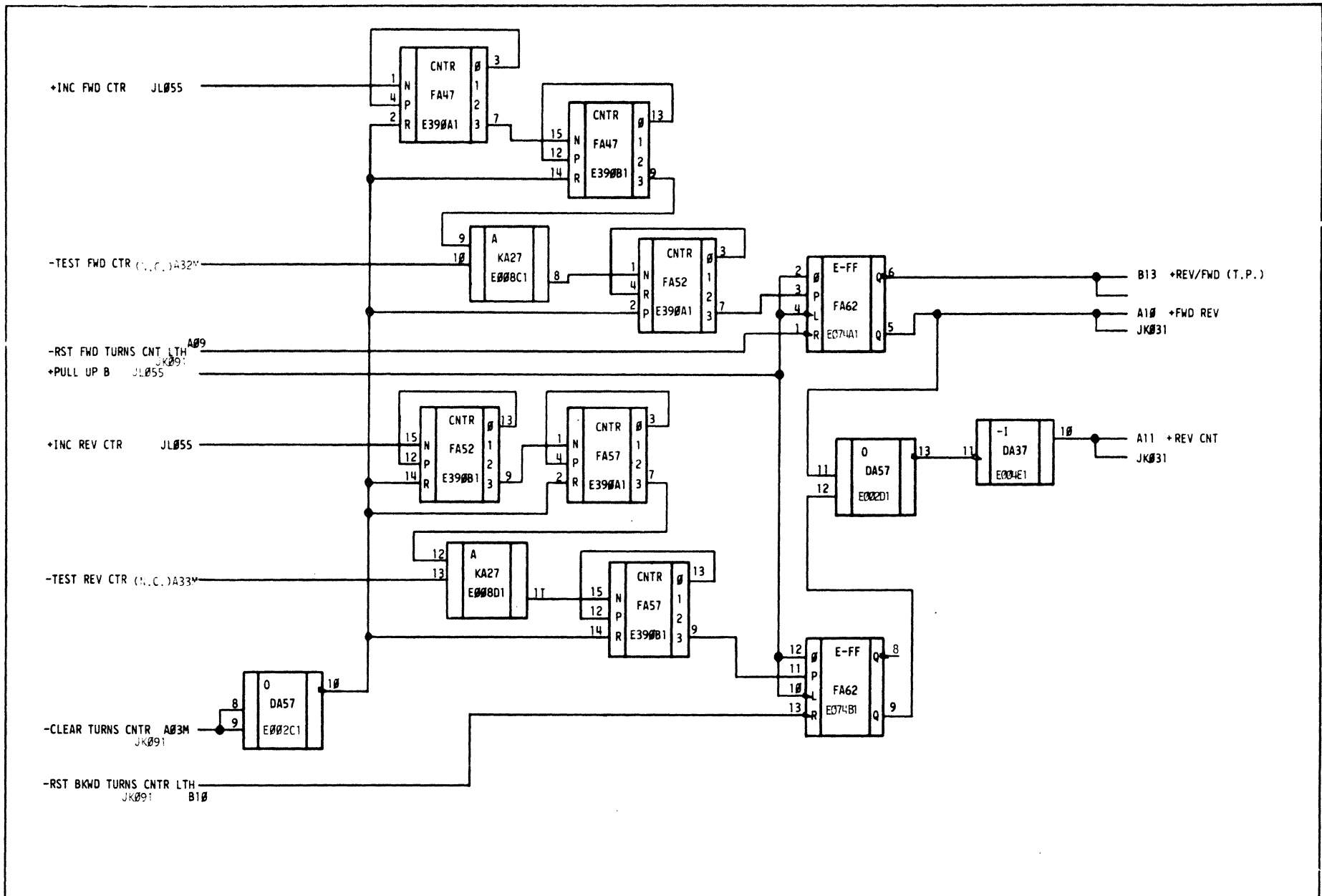
DIGITAL TACH A & B

PRE. E.C. 58140
REV. E.C. 41785
DATE 10-27-02

MACH. VENS.
GBL. ROT.

CD. LOC. D2
GATE YA
FRAME

CD. P.N. JL
CD. TYPE
PG. P.N. 4023505-02



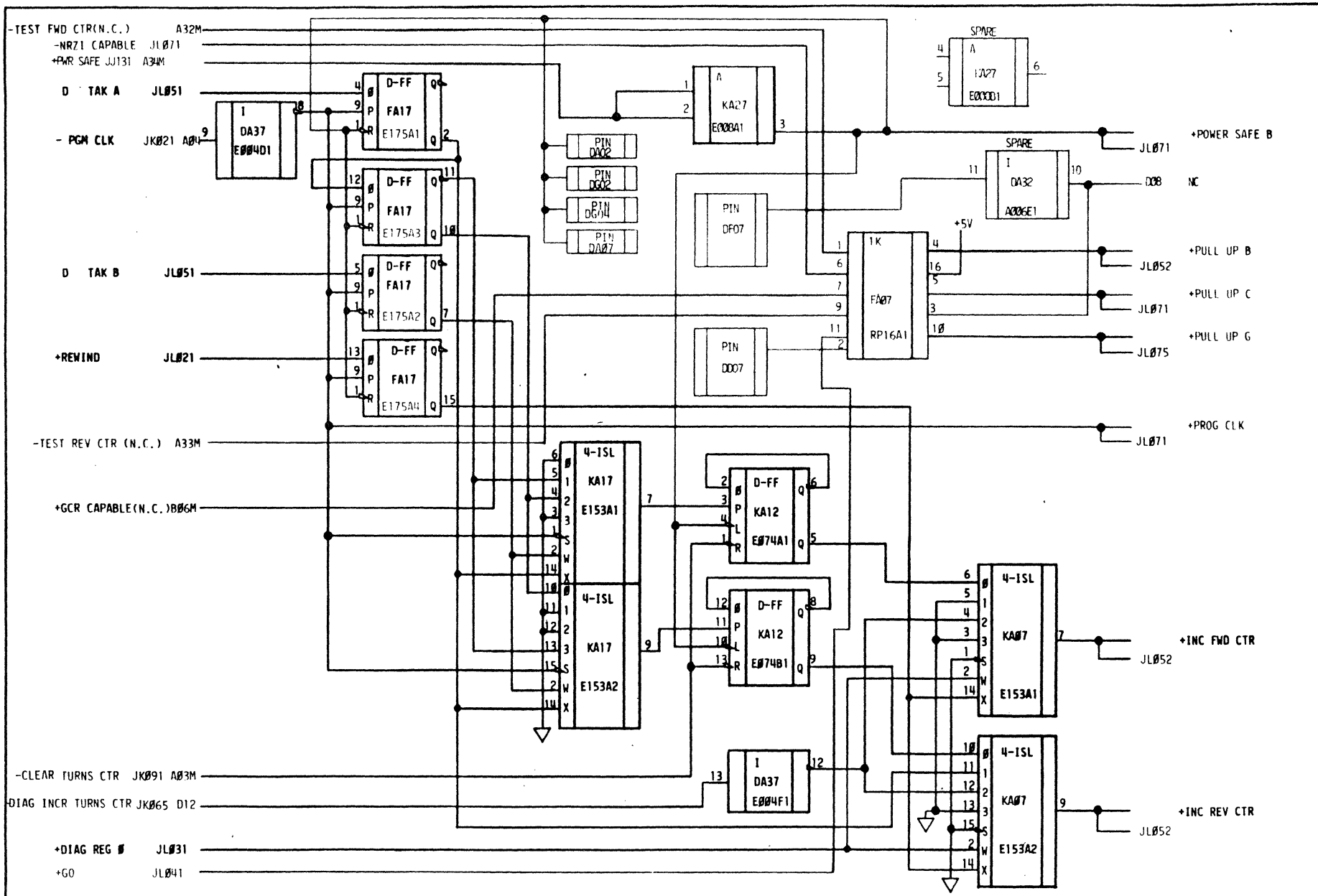
CAPSTAN TURNS COUNTER

PREV. E.C. 50140
 PREV. E.C. 44795
 DATE 10-27-82

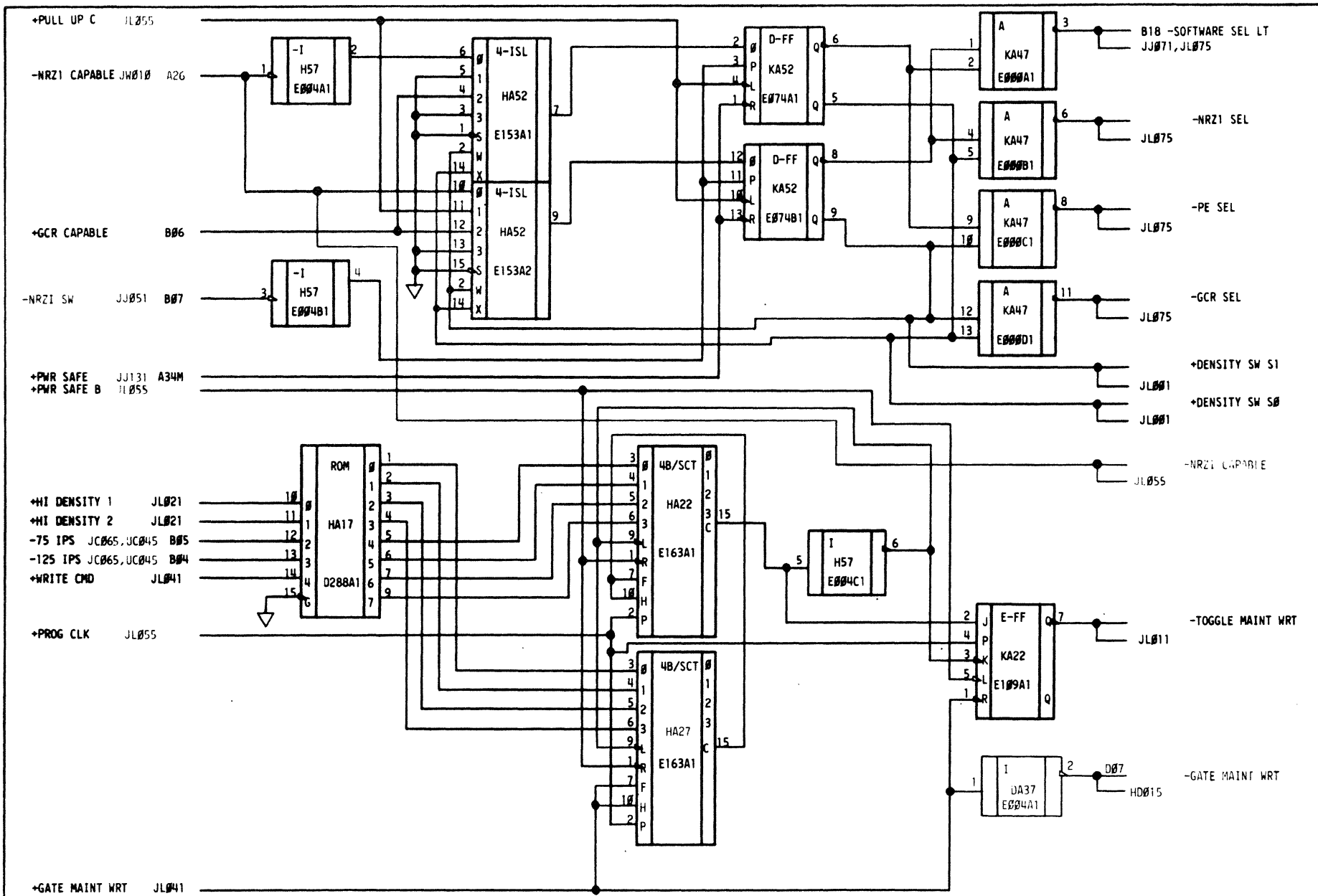
MACH. VERS. 08L. ROT.

CD. LOC. P2
 GATE FRAME

CD. P.N. JL
 CD. TYPE PG. P.N. 4023506-02



CAPSTAN TURNS COUNTER			
DESIGN	REV	DATE	BY
PRES. E.C. 58140	MACH. 195#	CD. LOC. D2	CD. RM.
PREV. E.C. 41735	VERS.	GATE 1A	CD. TYPE JL
DATE 10-28-82	GBL. ROT.	FRAME	PG. PN. 4823502-02



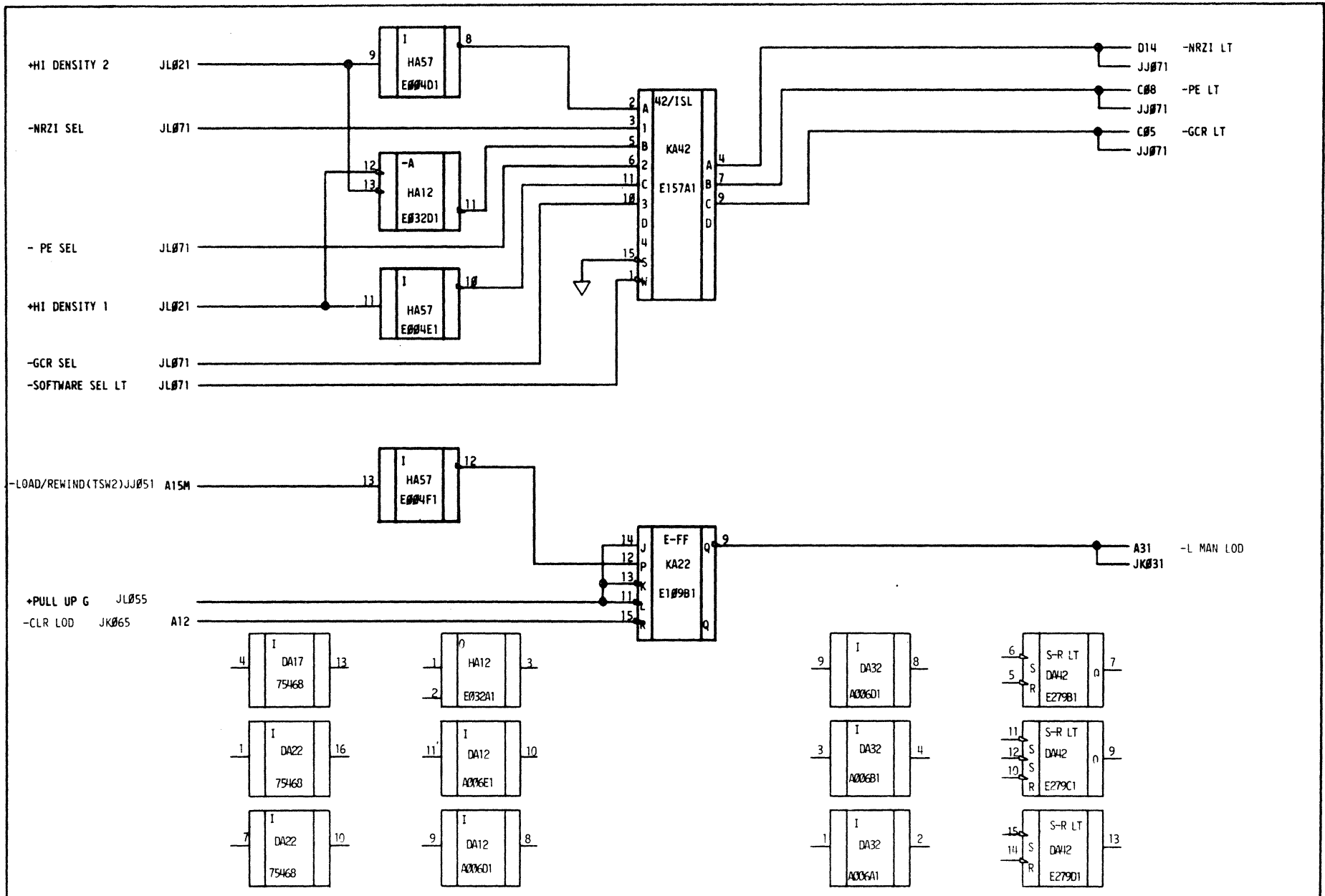
DENSITY SELECT/MAINTAINANCE WRITE

PREV. E.C. 58140
 DATE 44785
 10-27-82

MACH. 1950
 VERS. 08L. ROT.

CD. LOC. D2
 GATE Y1
 FRAME

CD. RN. JL
 CD. TYPE JL
 PG. RN. 4023503-02



DENS IND DECODE, LOAD LATCH, SPARES

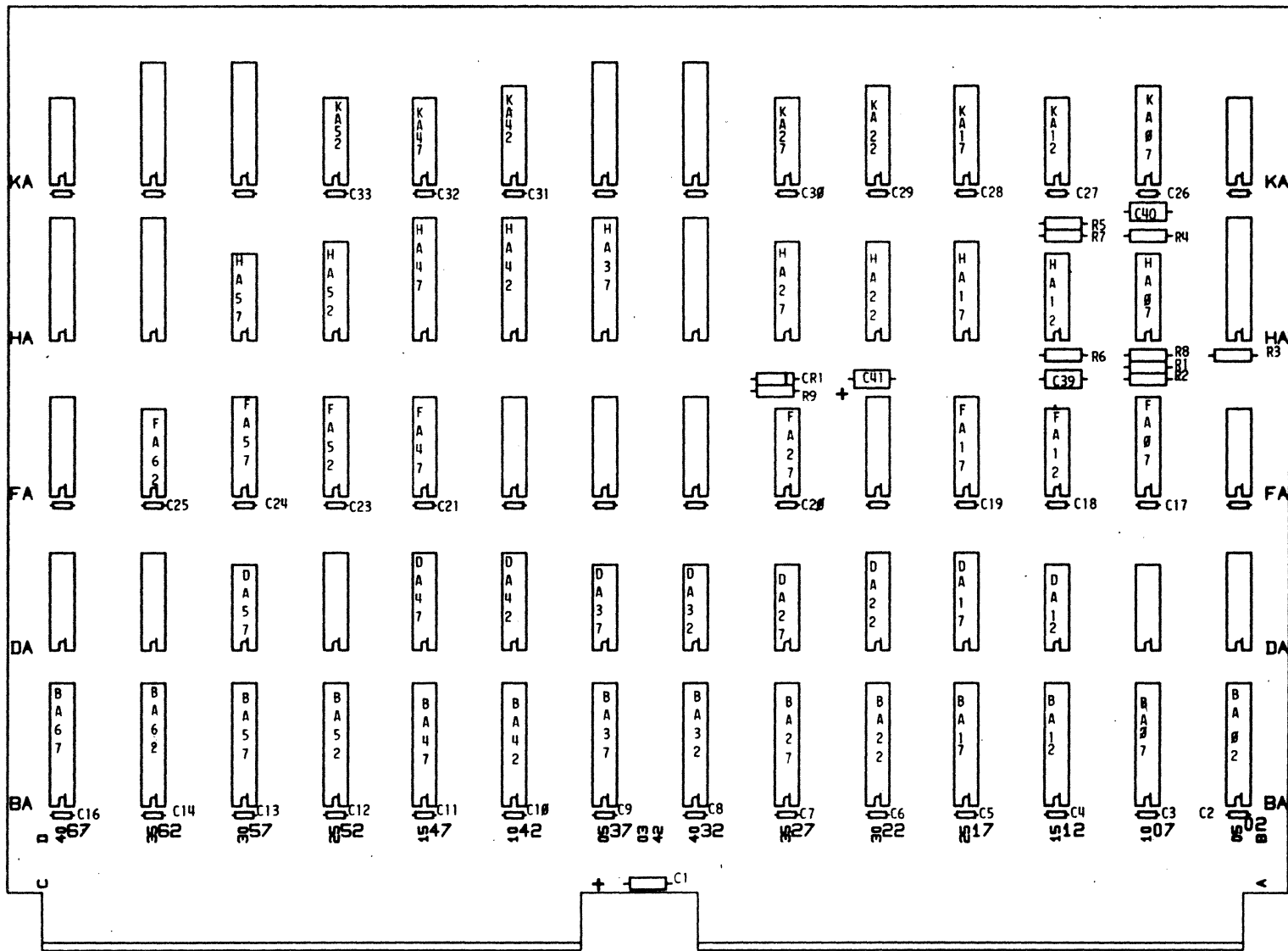
DES. E.C. REV. E.C. DATE	50140 41735 10-28-62	MACH. VERS. GDL. ROT.	CD. LOC. DATE FRAME	D2	CD. RN. CD. TYPE PB. RN.	JL 4023504-02
--------------------------------	----------------------------	-----------------------------	---------------------------	----	--------------------------------	------------------

ASSEMBLY PARTS LIST

BUILD ARC

PRINT DATE	PAGE	P.C. NO.
11-04-82	1	140

DIV.		ASSEMBLY NUMBER		CD	REV.	DWG.	DESCRIPTION			MC	STATUS	STATUS DATE		FILE DATE			
0500		401576101		0	D	N	SYS LGC GP, JL, 43106506, PC			N	REF	10-18-82	1950	10-27-82			
T FIND NO	LI	PART NUMBER		CD	M	QUANTITY	U/M	PART DESCRIPTION			MC	YLD	E.C. NO. IN	E.C. NO. OUT	S/N	WK IN	WK OUT
000	01	401271001	0			REF		PC	CD LGC JL AB001, PC		D		58140	58140			8307
000	02	401271002	8			REF		PC	CD, LGC, JL, AB001, PC		D		58140			8307	
001	01	401563901	8			REF		PC	SYS LGC, JL001, PC		D		44785N	44785N			8231
001	02	402349401	8			REF		PC	SYS LGC, JL001, PC		D		44785N			8231	
011	01	43507020	6			REF		PC	SYS LGC, JL011, PC		D		44785N	44785N			8231
011	02	402349501	5			REF		PC	SYS LGC, JL011, PC		D		44785N			8231	
015	01	402349601	3			REF		PC	SYS LGC, JL015, PC		D		58140			8307	
021	01	401563401	9			REF		PC	SYS LGC, JL021, PC		D		44785N	44785N			8231
021	02	402349701	1			REF		PC	SYS LGC, JL021, PC		D		44785N	58140		8231	8307
021	03	402511901	9			REF		PC	SYS, LGC, JL021, PC		D		58140			8307	
031	01	43507022	2			REF		PC	SYS LGC, JL031, PC		D		44785N	44785N			8231
031	02	402349801	9			REF		PC	SYS LGC, JL031, PC		D		44785N	58140		8231	8307
031	03	402511501	7			REF		PC	SYS, LGC, JL031, PC		D		58140			8307	
041	01	401563501	6			REF		PC	SYS LGC, JL041		D		44785N	44785N			8231
041	02	402349901	7			REF		PC	SYS LGC, JL041, PC		D		44785N	58140		8231	8307
041	03	402518801	4			REF		PC	SYS, LGC, JL041, PC		D		58140			8307	
051	01	43507024	8			REF		PC	SYS LGC, JL051, PC		D		44785	44785			8231
051	02	402350501	1			REF		PC	SYS LGC, JL051, PC		D		44785	58140		8231	8307
051	03	402350502	9			REF		PC	SYS, LGC, JL051, PC		D		58140			8307	
052	01	402350601	9			REF		PC	SYS LGC, JL052, PC		D		44785	58140		8231	8307
052	02	402350602	7			REF		PC	SYS, LGC, JL052, PC		D		58140			8307	
055	01	401563601	4			REF		PC	SYS LGC, JL055, PC		D		44785N	44785N			8231
055	02	402350201	8			REF		PC	SYS LGC, JL055, PC		D		44785N	58140		8231	8307
055	03	402518601	8			REF		PC	SYS, LGC, JL055, PC		D		58140			8307	
071	01	43507064	4			REF		PC	SYS LGC, JL071, PC		D		44785	44785			8231
071	02	402350701	7			REF		PC	SYS LGC, JL071, PC		D		44785	58140		8231	8307
071	03	402350702	5			REF		PC	SYS, LGC, JL071, PC		D		58140			8307	
075	01	43507047	9			REF		PC	SYS LGC JL075 PC		D		44785N	44785N			8231
075	02	402350401	4			REF		PC	SYS LGC, JL075, PC		D		44785N	58140		8231	8307

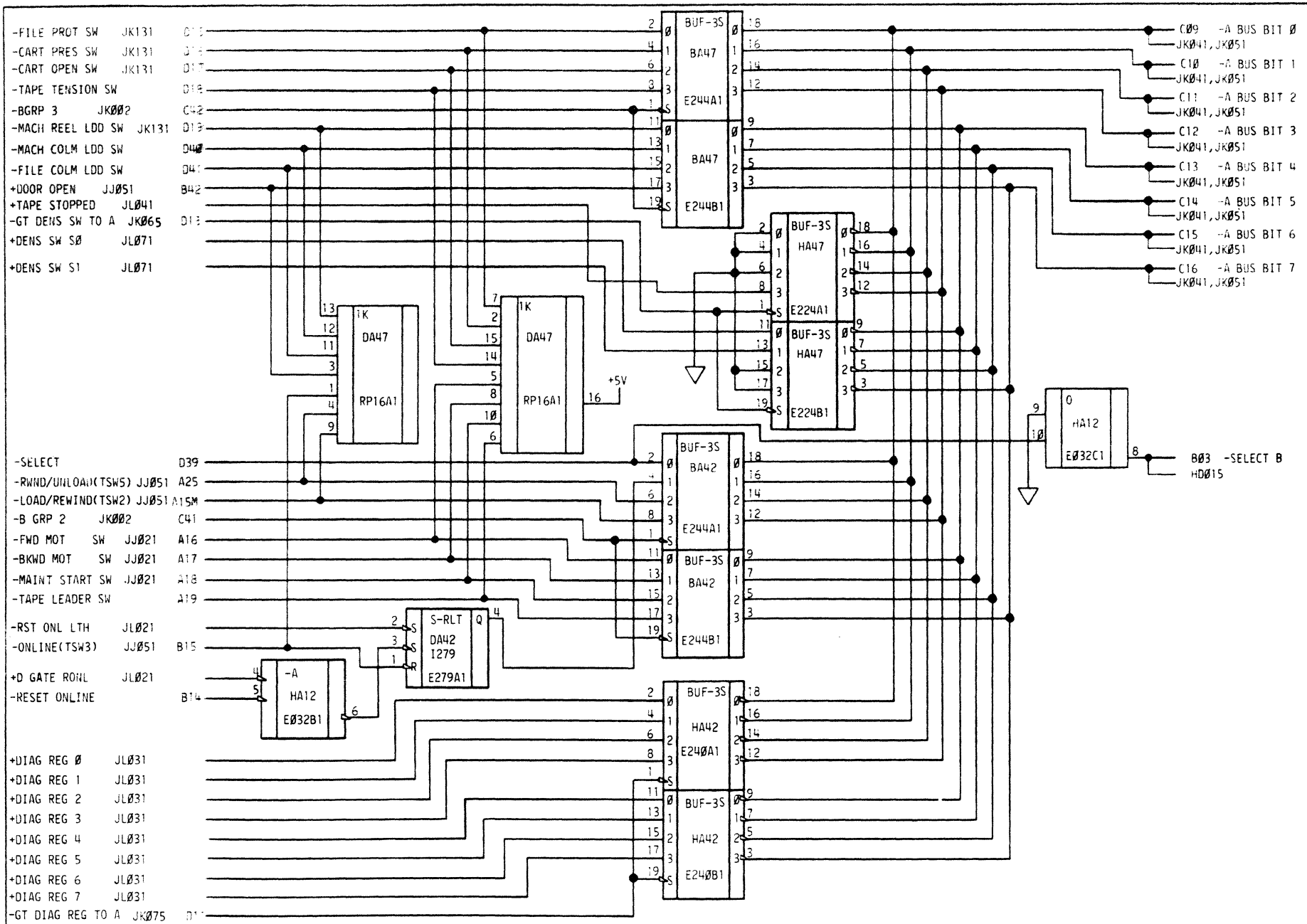


A
B
B

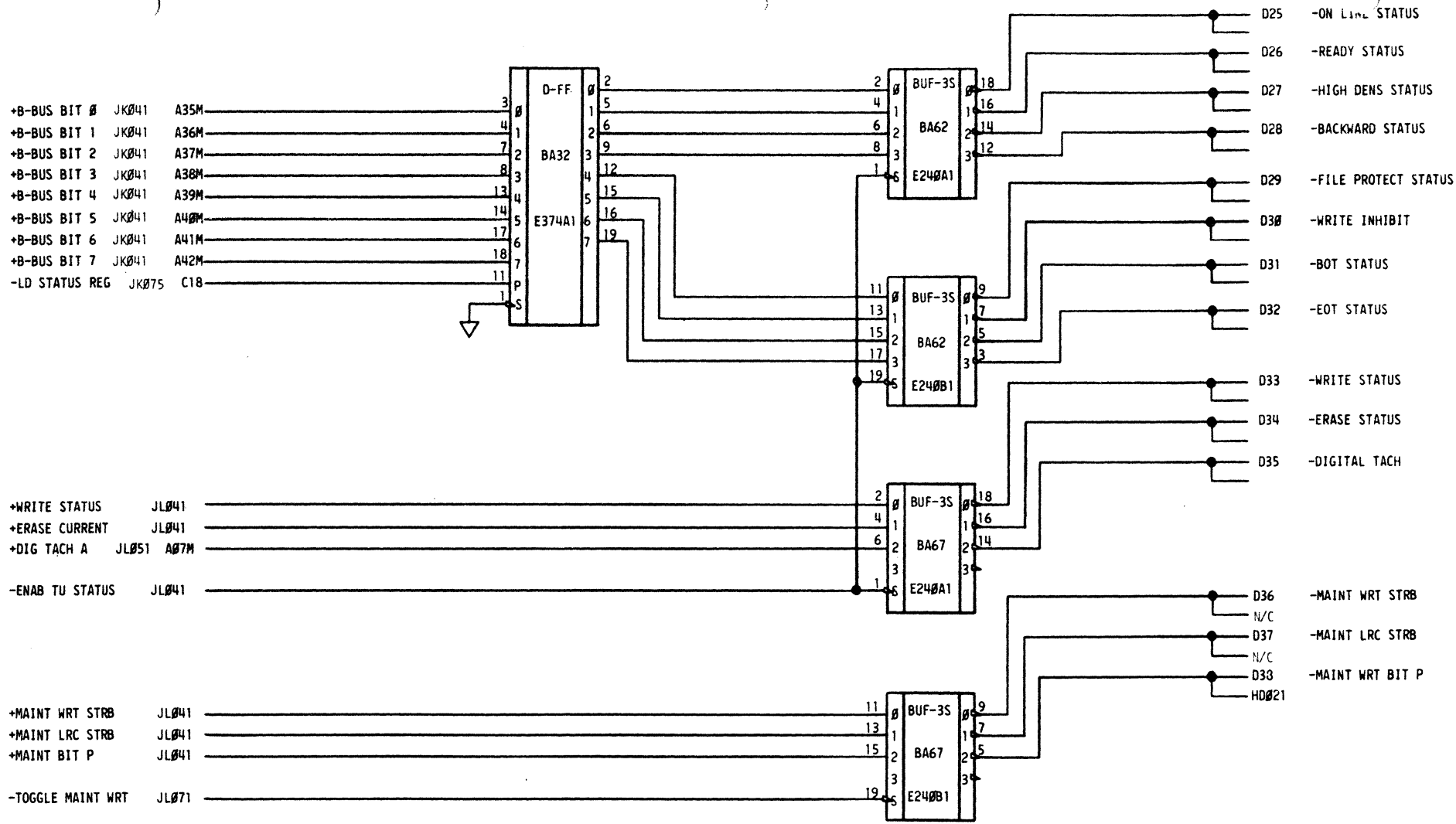
JL CARD - MACHINE LATCHES / REGISTERS

PRES. E.C. 5840 PREV. E.C. 44274 DATE 10-27-82	MACH. 1950 VERS. GBL. ROT.	CD. LOC. D2 GATE FRAME	CD. P.N. 43104506-9 CD. TYPE JL PG. P.N. 4012710-02
--	----------------------------------	------------------------------	---

A
B
B
1



MACHINE SWITCHES TO A-BUS, BRANCH GROUPS 2,3			
PRES. E.C. 44785	MACH. 1950	CD. LOC. 02	CD. P.N. JL
PREV. E.C. NONE	VERS. GBL. ROT.	GATE 1A	PG. P.N. 4023494-01
DATE 7-7-02		FRAME	

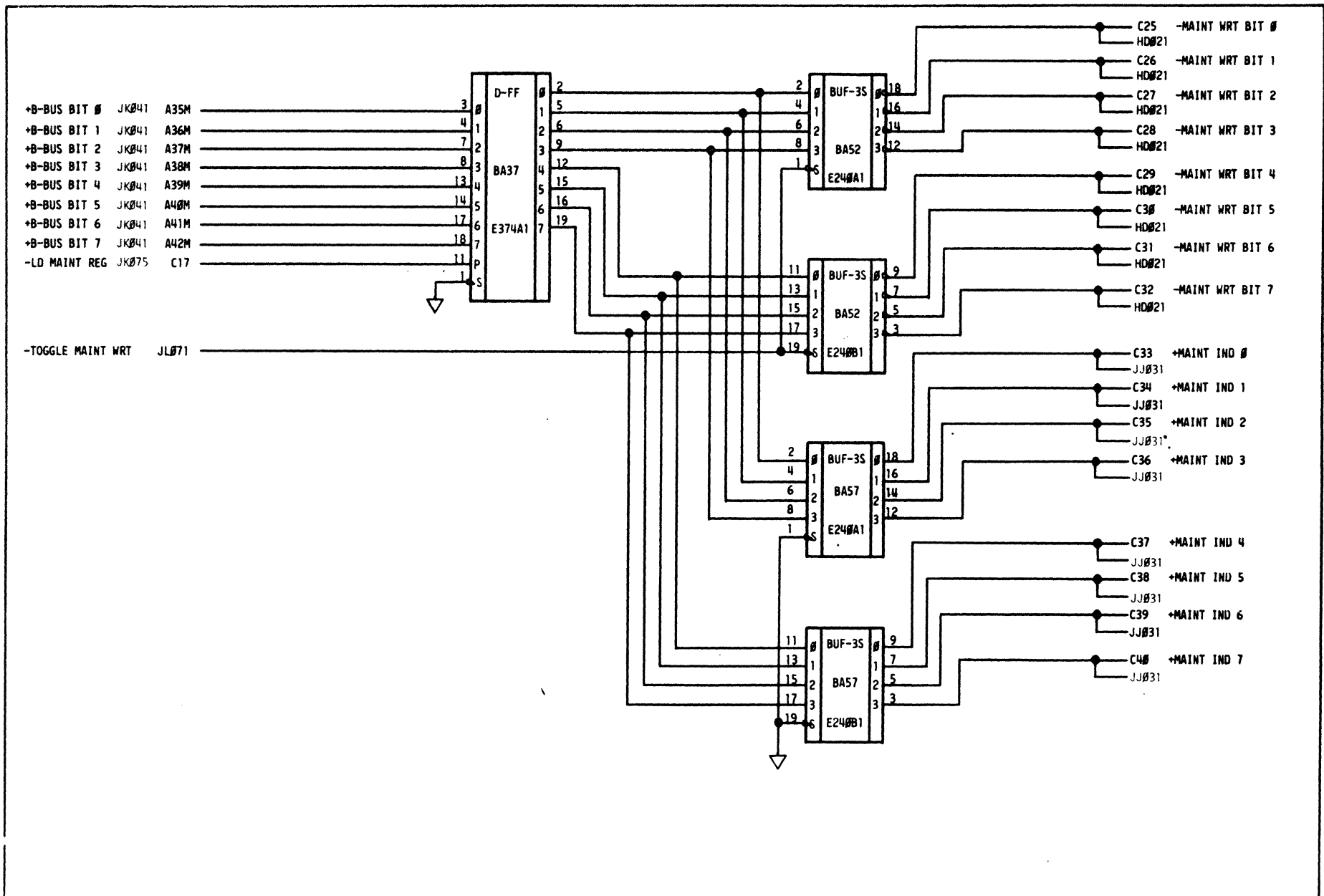


JL011

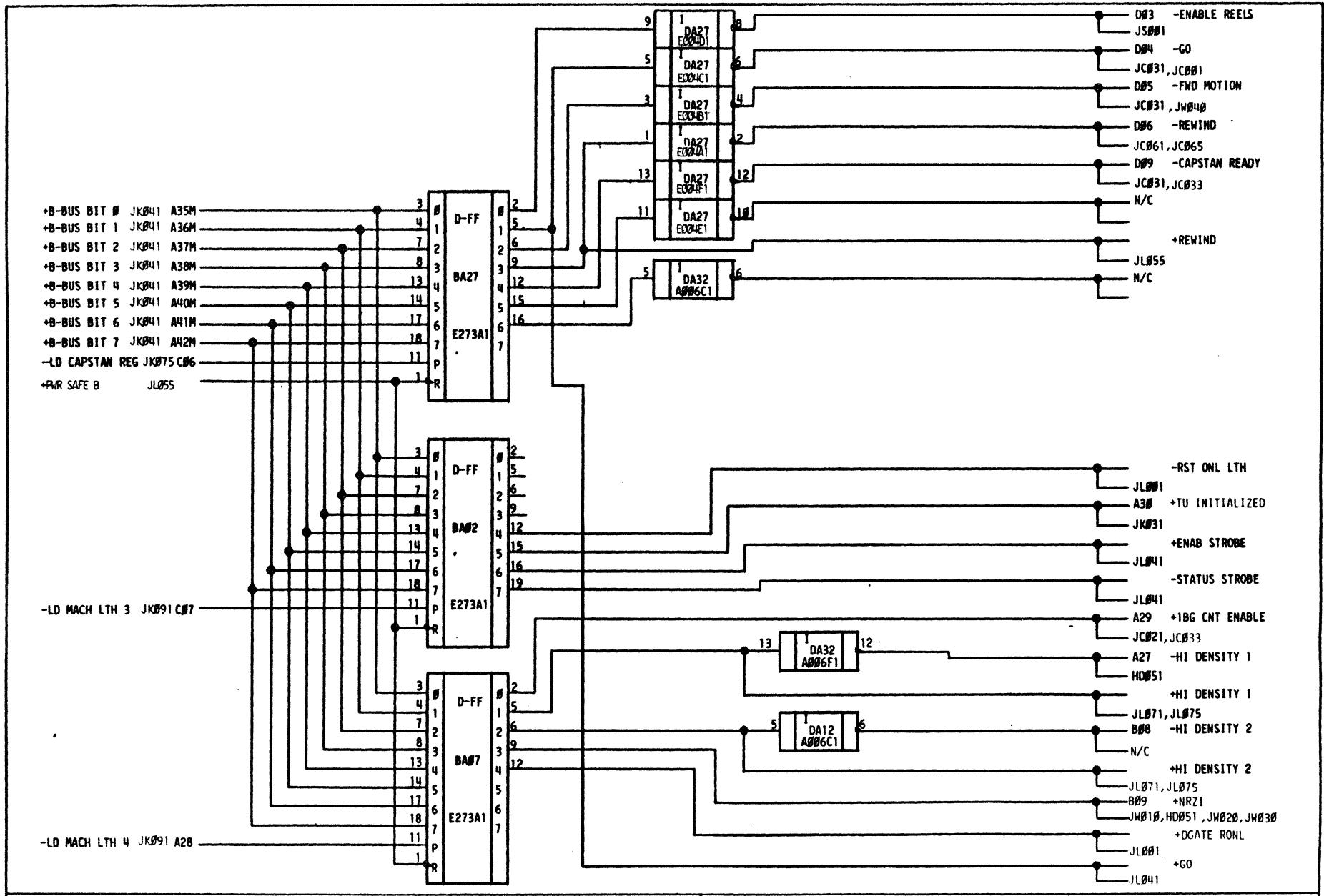
STATUS OUTPUT REGS

PRES. E.C. 44785	MACH. 1950	CD. LOC. D2	CD. P.N. JL
PREV. E.C. NONE	VERS. 7-7-82	GATE 1A	CD. TYPE 4023495-01
DATE	GBL. ROT.	FRAME	PG. PN.

JL011

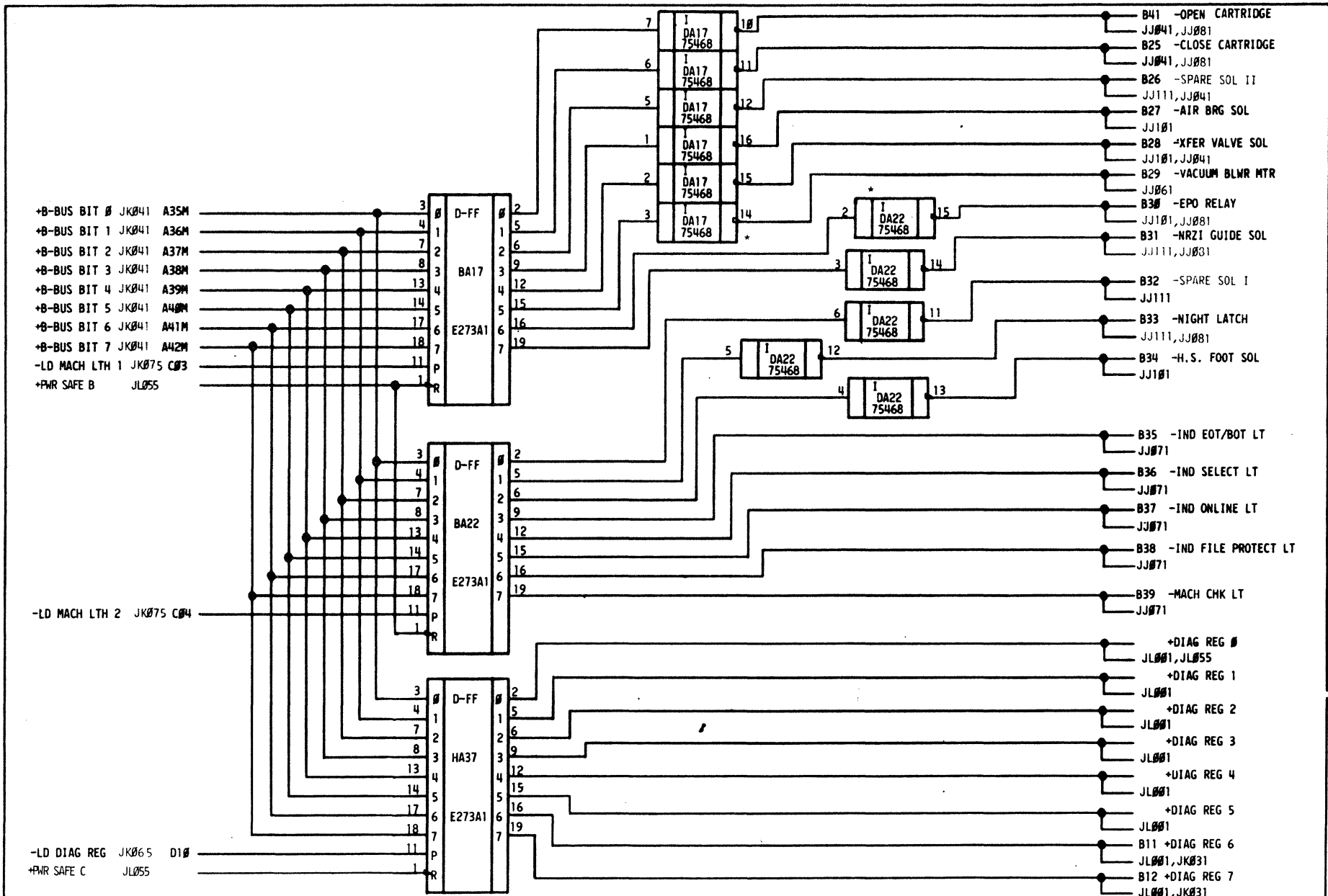


J L 0 1 5	MAINT OUTPUT REGS				J L 0 1 5
	PRE. E.C. 44785	MACH. 1950	CD. LOC. D2	CD. RN.	
	PREV. E.C. NONE	VER. 7-7-82	GATE 1A	CD. TYPE JL	
	DATE	0BL. ROT.	FRAME	Pg. RN. 4023496-01	



JL021

REEL/CAPSTAN REGISTER			
PREV. E.C. 58140	MACH. 195#	CD. LOC. D2	CD. P.N.
PREV. E.C. N/A	VERS. N/A	GATE 1A	CD. TYPE JL
DATE 10-28-02	GBL. ROT.	FRAME	PG. P.N. 4025119-01

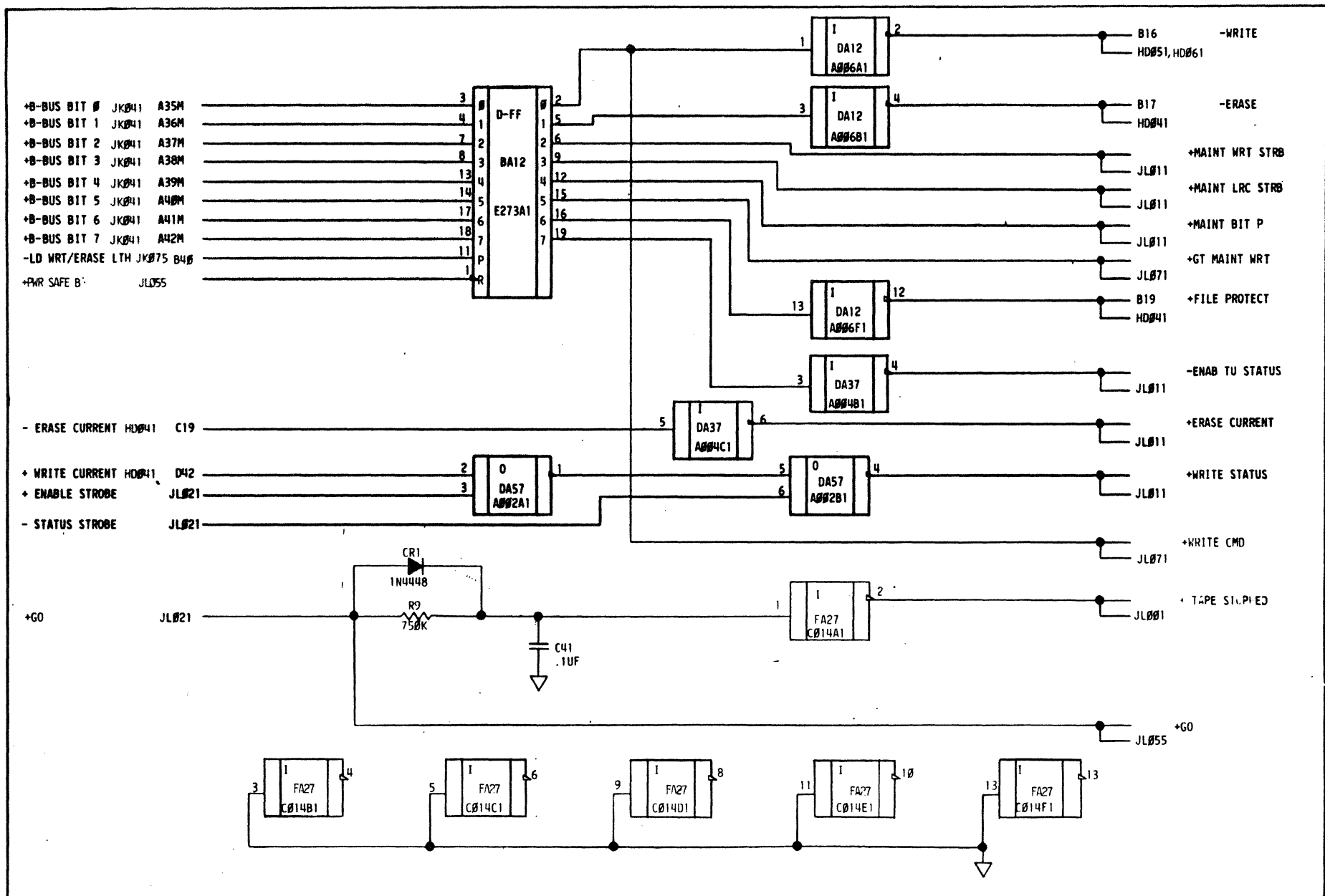


* NOTE: 75468 MODULE REQUIRES NO +5V SO THE MODULES SHOULD NOT CONTACT THE +5V VOLTAGE PLANE.

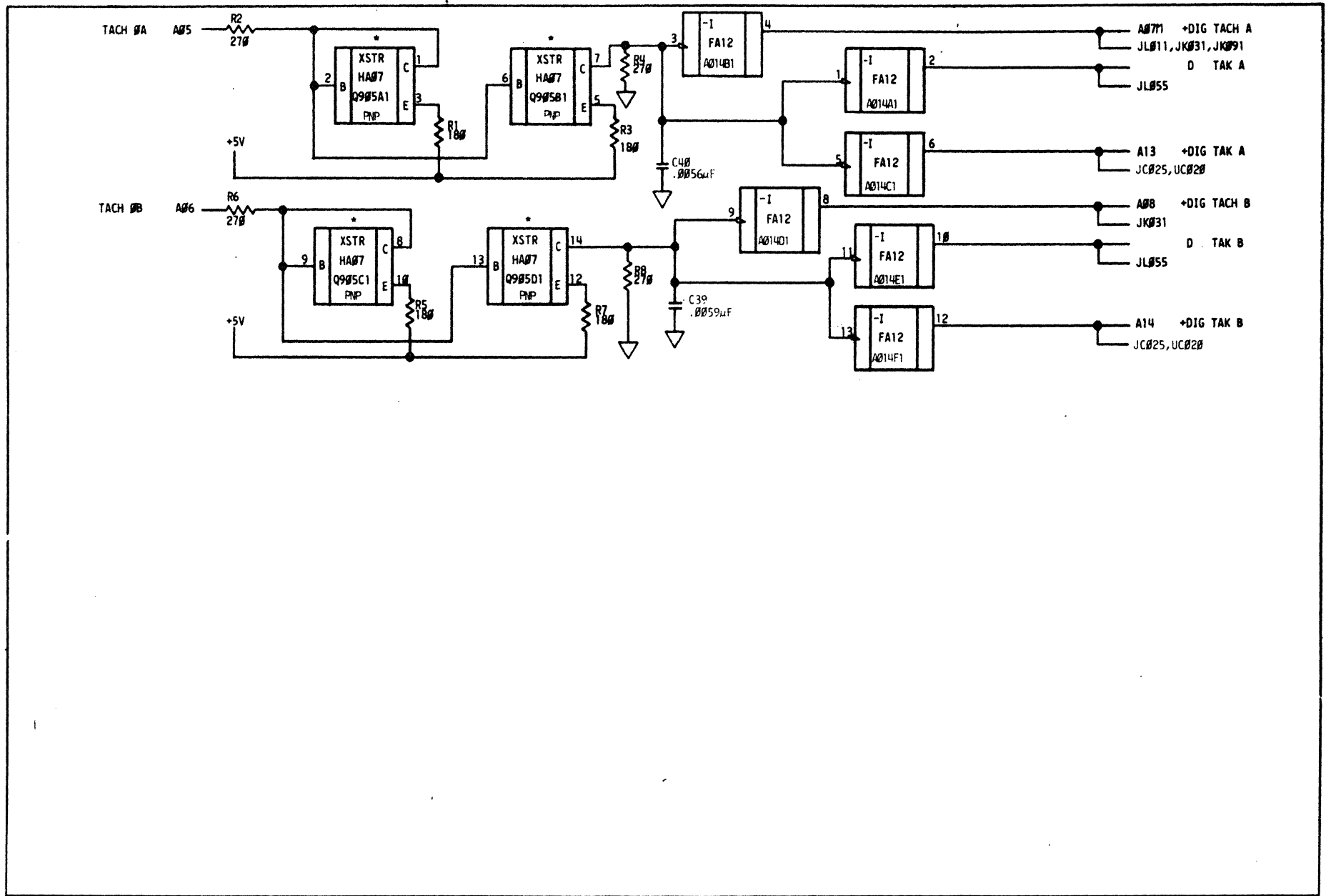
MACHINE LTHS			
PRES. E.C.	58140	MACH. VERS.	1950
PREV. E.C.	NONE	GBL. ROT.	
DATE	10-28-82	CD. LOC. DATE FRAME	D2 1A
		CD. P.N. CD. TYPE PG. P.N.	JL 4025115-01

JLB31

JLB31



J L 0 1	WRT/ERASE LTH, STICITION BIT TIMER				J L 0 1
	PREV. E.C. 50140 DATE 10-20-02	MACH. 1958 VERB. 08L. ROT.	CD. LOC. D2 GATE FRAME 1A	CD. RN. CD. TYPE JL PG. RN. 4025188-01	



* TRANSISTOR MODULES SHOULD NOT CONTACT +5V OR GROUND PLANES

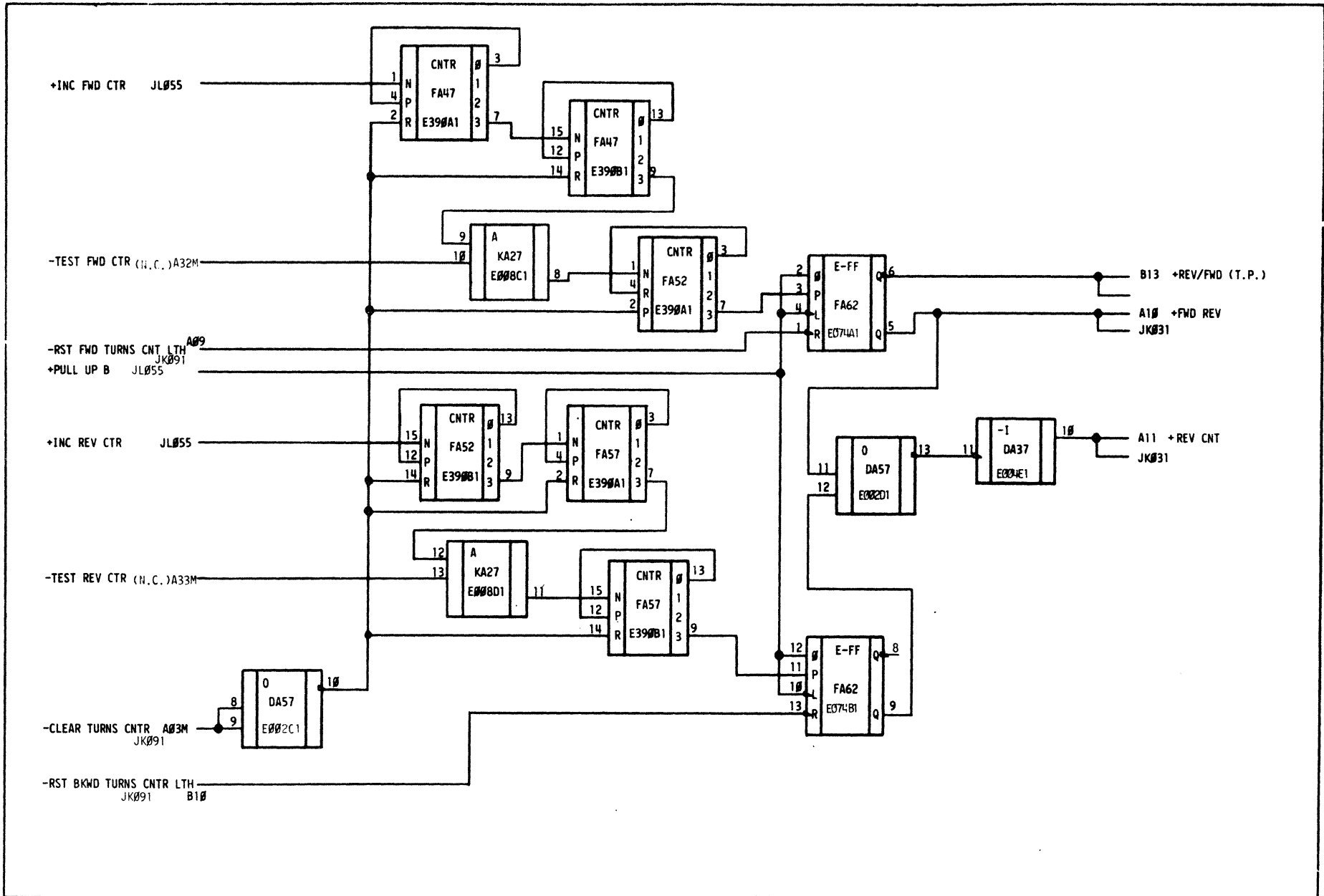
DIGITAL TACH A & B

PREV. E.C. 50140
 PREV. E.C. 01705
 DATE 10-27-02

MACH. VERS. 08L. ROT.

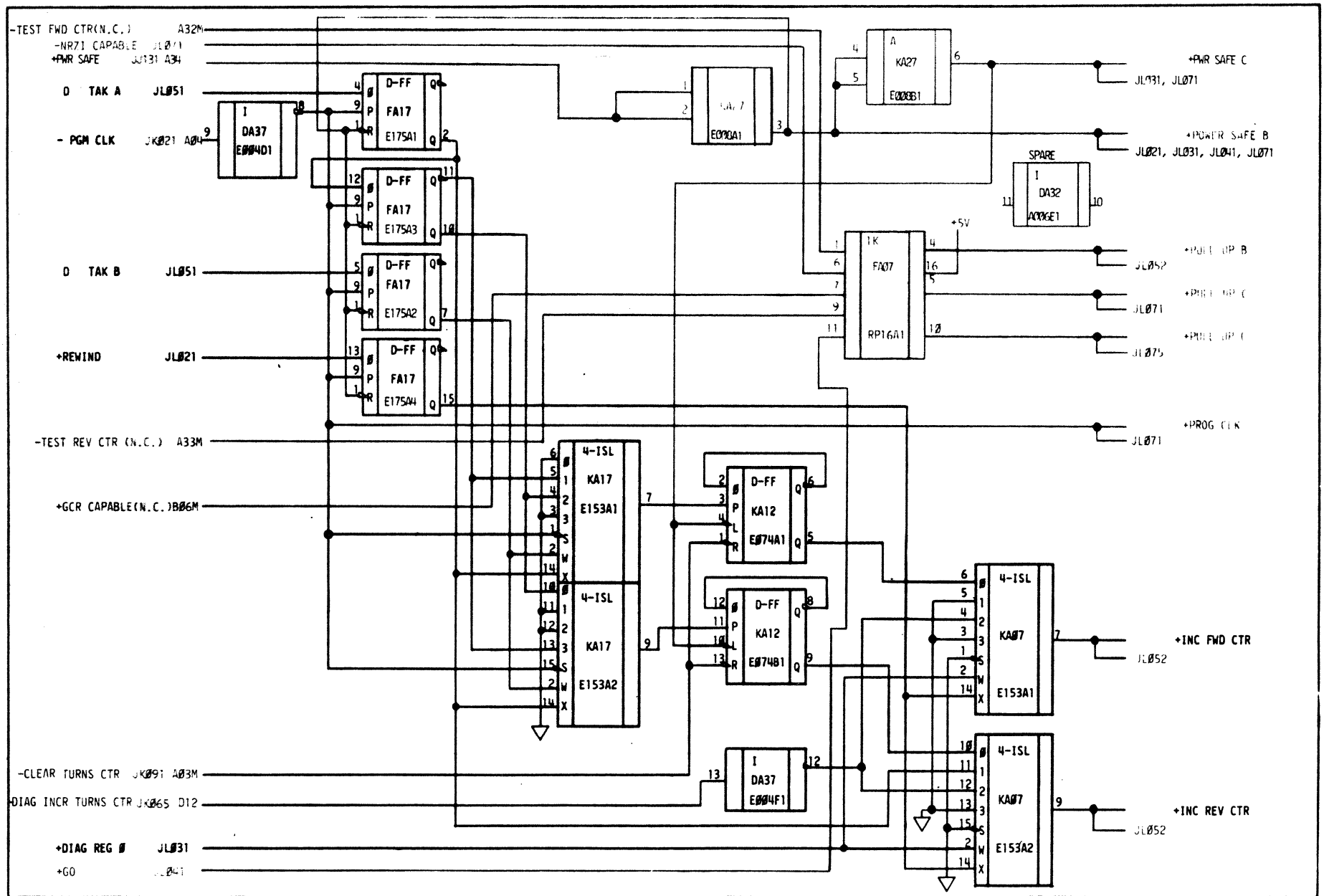
CD. LOC. 02
 GATE 1A
 FRAME

CD. RM. JL
 CD. TYPE
 PG. RN. 4023505-02



CAPSTAN TURNS COUNTER

PRES. E.C. PREV. E.C. DATE	58140 44705 10-27-82	MACH. VERS. OBL. ROT.	CD. LOC. D2 GATE YA FRAME	CD. P.N. CD. TYPE JL PG. P.N. 4023506-02
----------------------------------	----------------------------	-----------------------------	---------------------------------	--



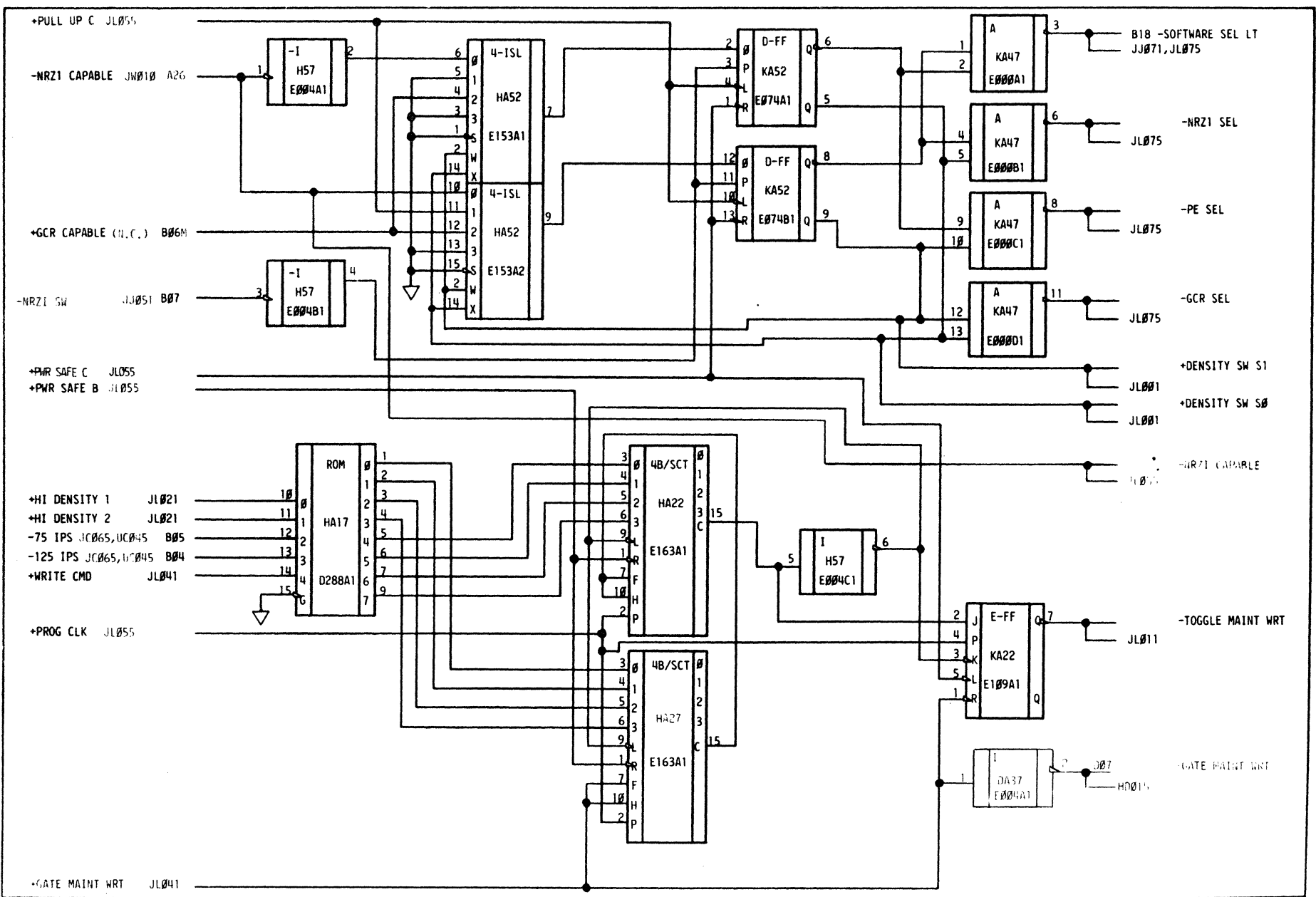
CAPSTAN TURNS COUNTER

PRES. E.C. 58140
 PREV. E.C. NONE
 DATE 10-28-82

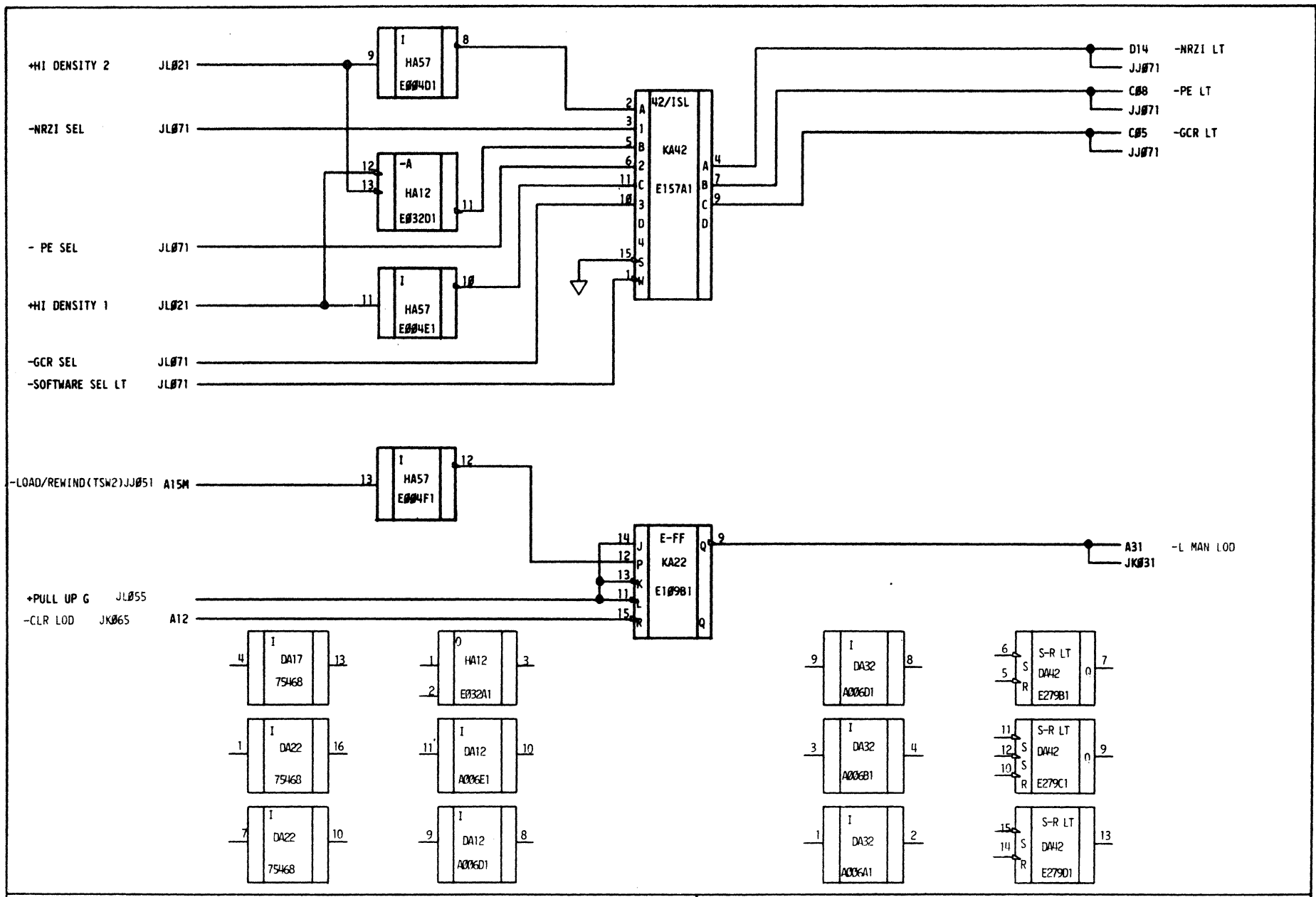
MACH. 1950
 VERS. OBL. ROT.

CD. LOC. D2
 GATE 1A
 FRAME

CD. RM.
 CD. TYPE JL
 PG. RM. 4025186-01



DENSITY SELECT/MAINTAINANCE WRITE			
PRES. E.C. 53140 PREV. E.C. 41785 DATE 10-23-82	MACH. 1950 VERS. GBL. ROT.	CD. LOC. 02 CD. TYPE 1A CD. P.N. J1 PG. P.N. 4023507-02	



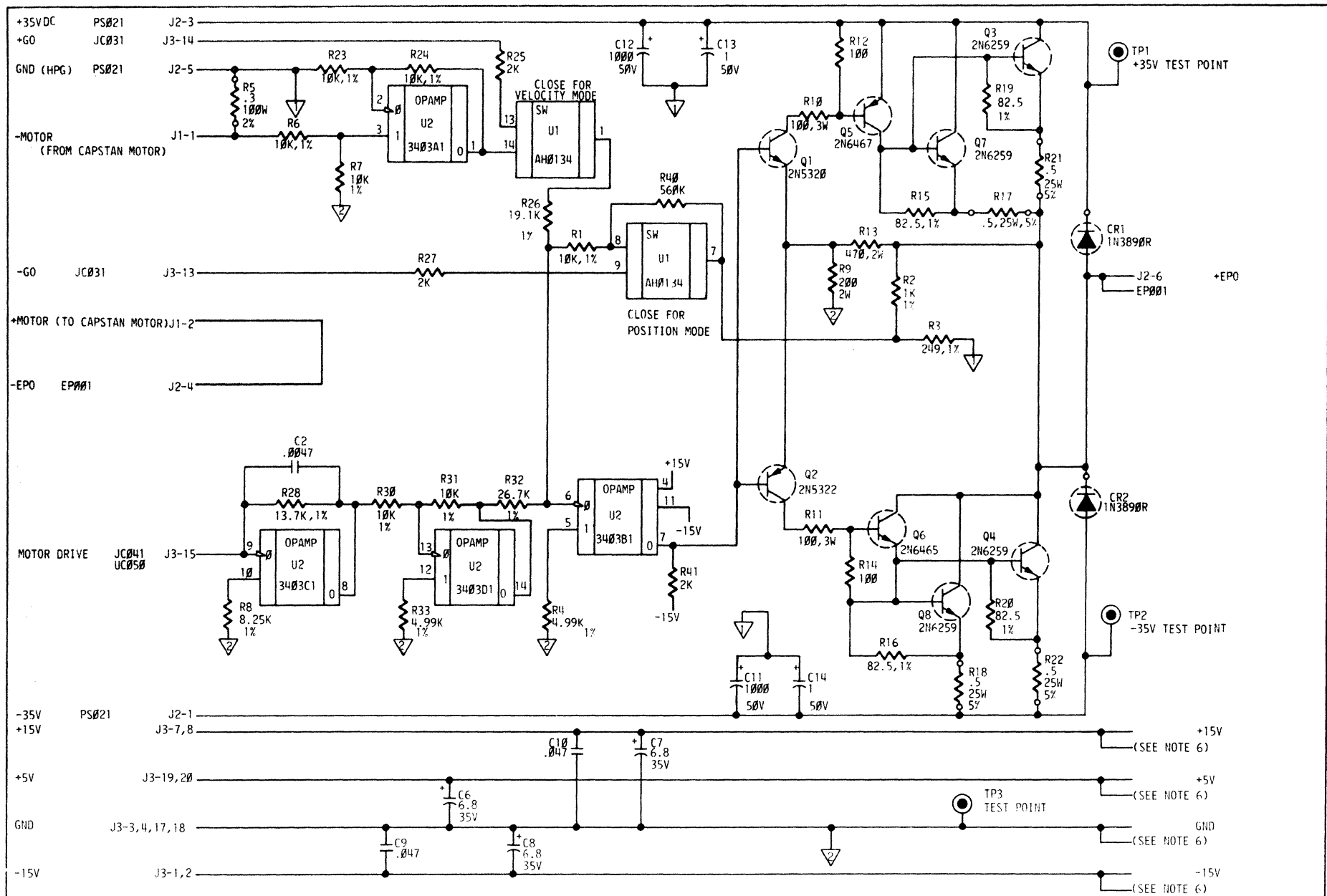
JL055	DENS IND DECODE, LOAD LATCH, SPARES				CD. LOC. D2 DATE FRAME	CD. RN. CD. TYPE JL PL. RN. 4023504-02
	PREV. E.C. 58140	MACH. 44705	VERS. 44705	CD. RN. 44705		
	DATE 10-28-02	MACH. 44705	VERS. 44705	CD. RN. 44705		

ASSEMBLY PARTS LIST

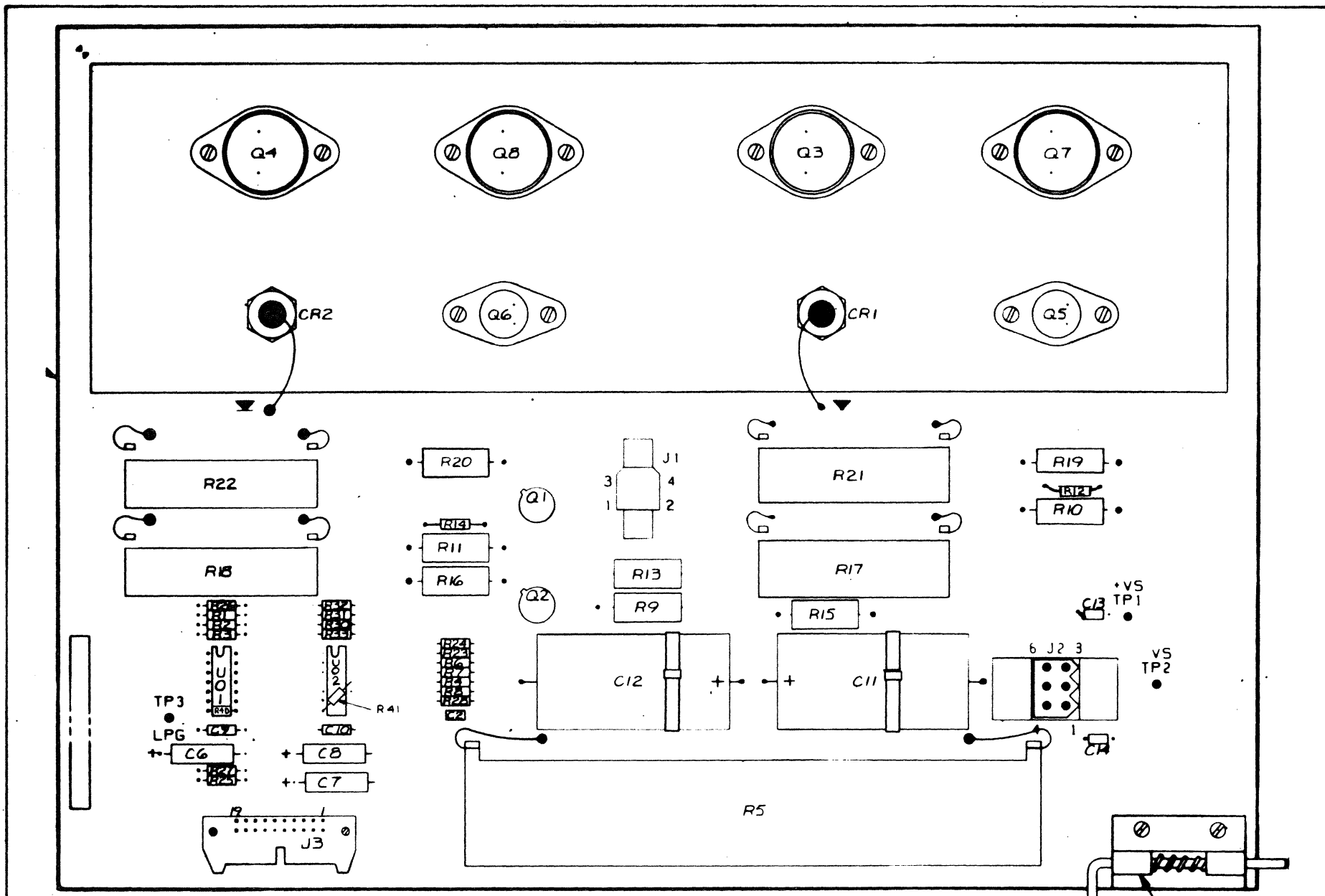
BUILD APC

PRINT DATE	PAGE	E.C. NO.
12-15-82	1	44669P

DIV	ASSEMBLY NUMBER	CD	REV.	DWG.	DESCRIPTION	MC	STATUS	STATUS DATE	FILE DATE					
0500	401688302	9	F	N	SYS LGC GP, JP, 4310 IC, PC	N	REL	12-02-82	1950 12-08-82					
T FIND NO	LI	PART NUMBER	CD	M	QUANTITY	U/M	PART DESCRIPTION	MC	YLD	E.C. NO. IN	E.C. NO. OUT	S/N	WK IN	WK OUT
000	01	401688402	7		REF		PC SYS LGC, AB001, JP, IC	D						
001	01	401639903	4		REF		PC SYS LGC, JP001, PC	D			44669P			8203
001	02	402568501	9		REF		PC SYS LGC, JP001, PC	D		44669P			8203	
500	01	43107310	5		REF		PC CKT CD, JP, PC ASSY	S						
0004 TOTAL LINES														



J P C A 1	NOTES: UNLESS OTHERWISE SPECIFIED		4. ALL CAPACITORS ARE IN MICROFARADS (μF).	JP CARD, SCHEMATIC	J P C A 1
	1. ▽ DENOTES HIGH POWER GROUND.	5. COMPONENTS WITH DOTTED LINES ARE MOUNTED ON HEATSINK.	6. THESE LINES ARE CONNECTED TO INTERNAL POWER AND GROUND PLANES.		
	2. ▽ DENOTES GROUND.				
	3. ALL RESISTORS ARE 1/4W, 5% AND VALUES ARE IN OHMS.				
PRES. E.C. 44669P PREV. E.C. NONE DATE 12-6-82		MACH. 1950 VERS. ONE GBL. ROT.		CD. LOC. JP GATE FRAME CD. P.N. JP PG. P.N. 4025685-01	



■ CAPSTAN MOTOR POWER AMP

PREV. E.C. 44504 PREV. E.C. 44655 DATE 9 20 66	MACH. VERN. SBL. ROT.	CD. LOC. GATE FRAME	CD. RN. 43107310-1 CD. TYPE JP PG. RN. 1016 684 02
--	--------------------------	---------------------	--

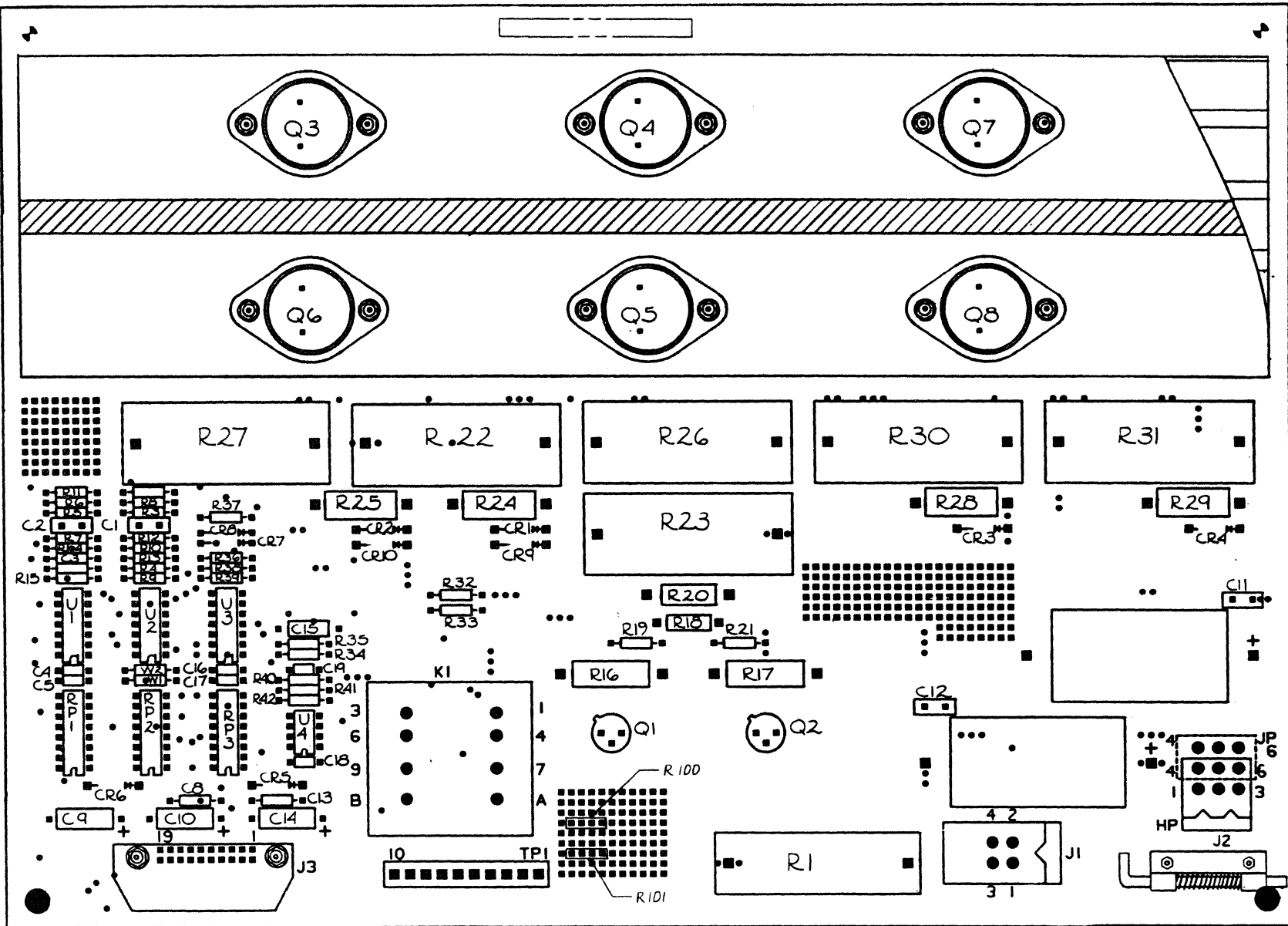
A
1-0000

A
1-0000

ASSEMBLY PARTS LIST

BUILT BY PC DEC

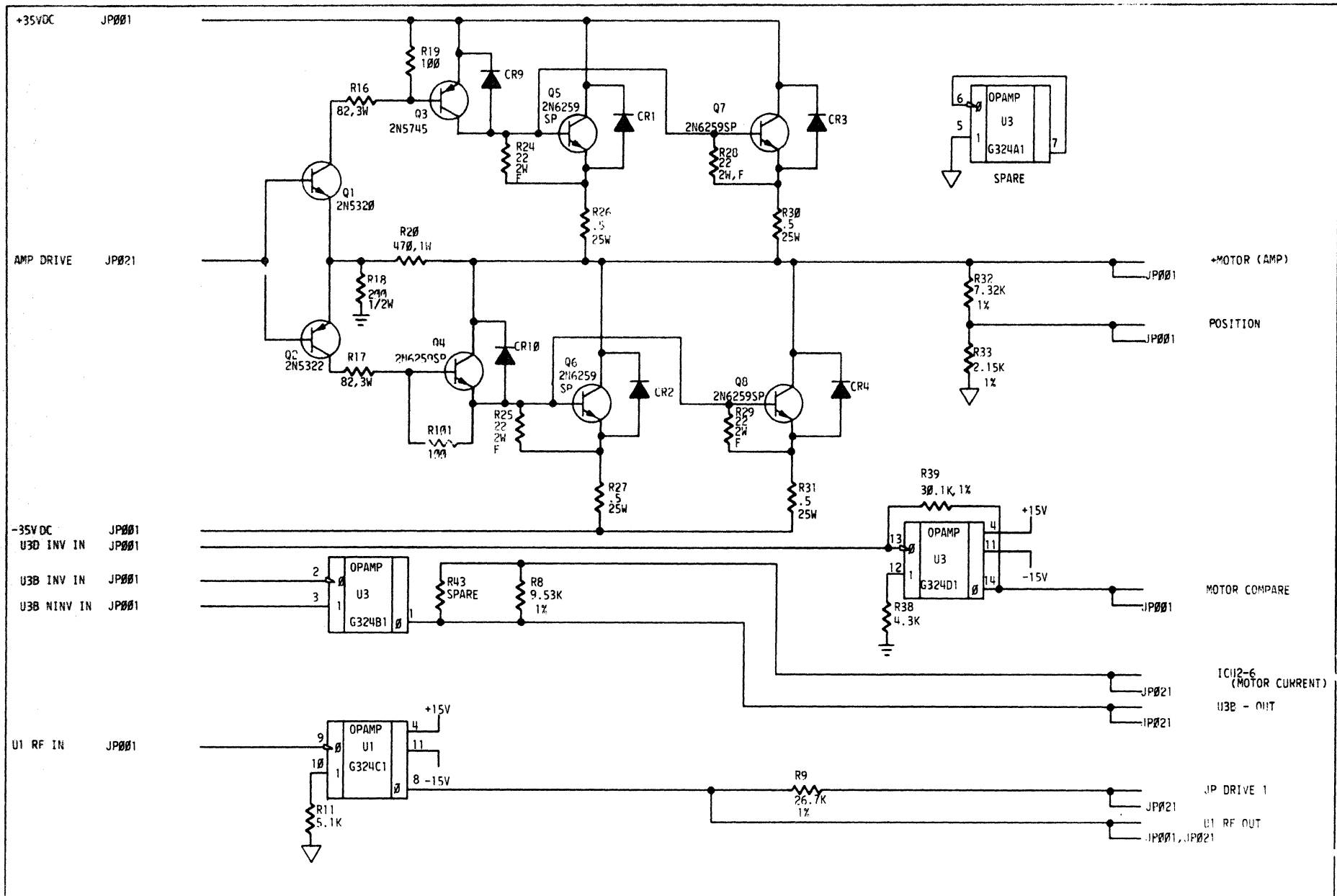
DIV.	AS	BLY NUMBER	CD	REV.	DWG.	DESCRIPTION	MC	STATUS	STATUS DATE	FILE DATE				
0500		401690502	0	C	N	SYS LGC GP, JP, 43107410, PC	N	REL	04-14-83	1950 05-03-83				
T FIND NO	LI	PART NUMBER	CD	M	QUANTITY	U/M	PART DESCRIPTION	MC	YLD	EC NO IN	EC NO OUT	S N	WK IN	WK OUT
000	01	401690602	8		REF	PC	CD LGC, A8001, JP, PC	D						
001	01	402568202	4		REF	PC	SYS LGC, JPC01, PC	D						
011	01	402568302	2		REF	PC	SYS LGC, JPC11, PC	D						
021	01	402568401	2		REF	PC	SYS LGC, JP021, PC	D						
500	01	43107410	3		REF	PC	CKT CD, JP, PC ASSY	S						
							0005 TOTAL LINES							



A
B
0
1

CKT CD, JP, PC			
PREV. E.C. DATE	49113 111669 4-18-82	MACH. VERS. GBL. ROT.	1950
CD. LOC. GATE FRAME			
CD. P.N. CD. TYPE PG. P.N.	43197410 JP 4916996-02		

A
B
0
1



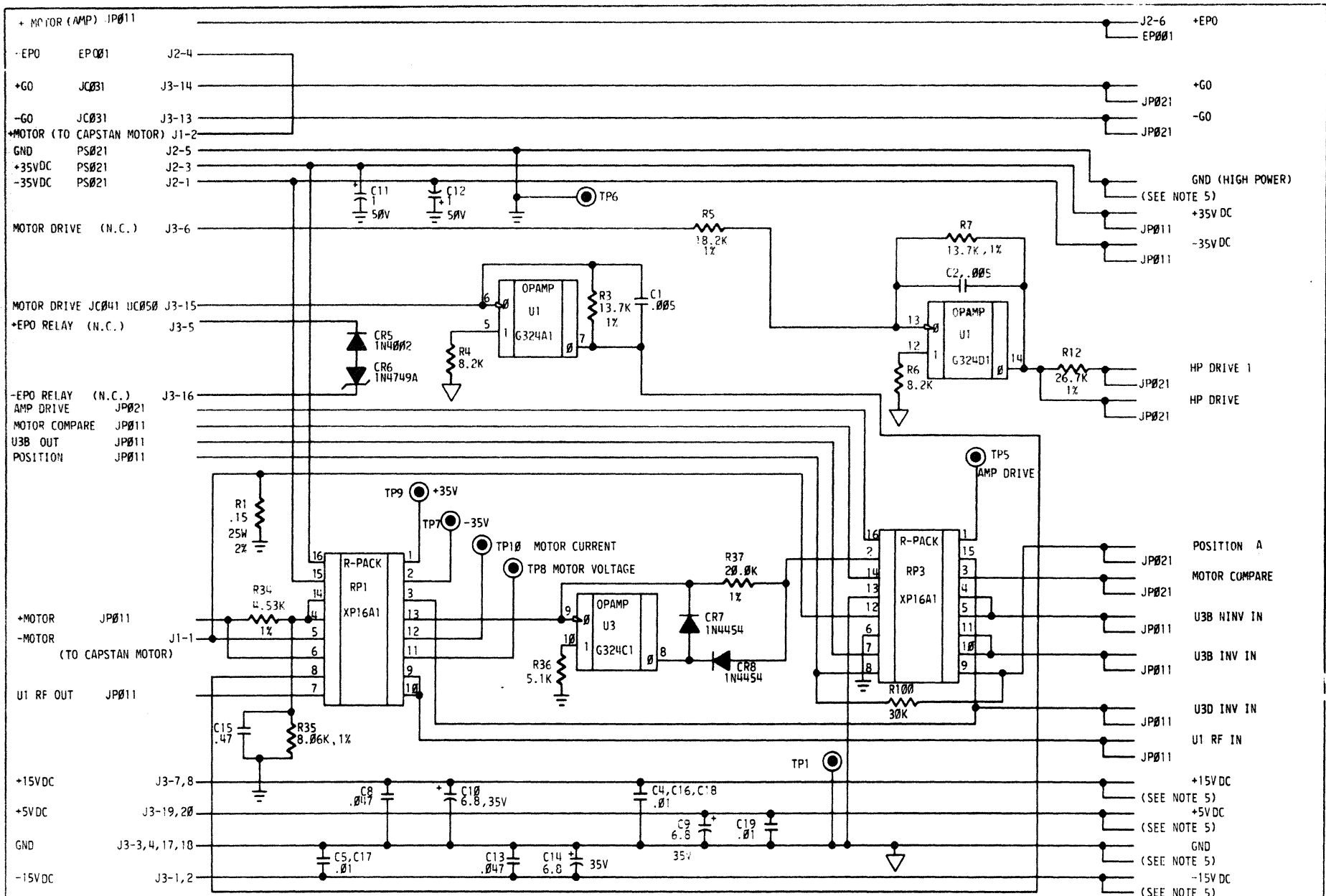
NOTES: UNLESS OTHERWISE SPECIFIED

4. CR1-4, 9, 10 ARE 1N4002.

1. DENOTES GROUND.
2. DENOTES HIGH POWER GROUND.
3. ALL RESISTORS ARE 1/4W, 5% AND VALUES ARE IN OHMS.

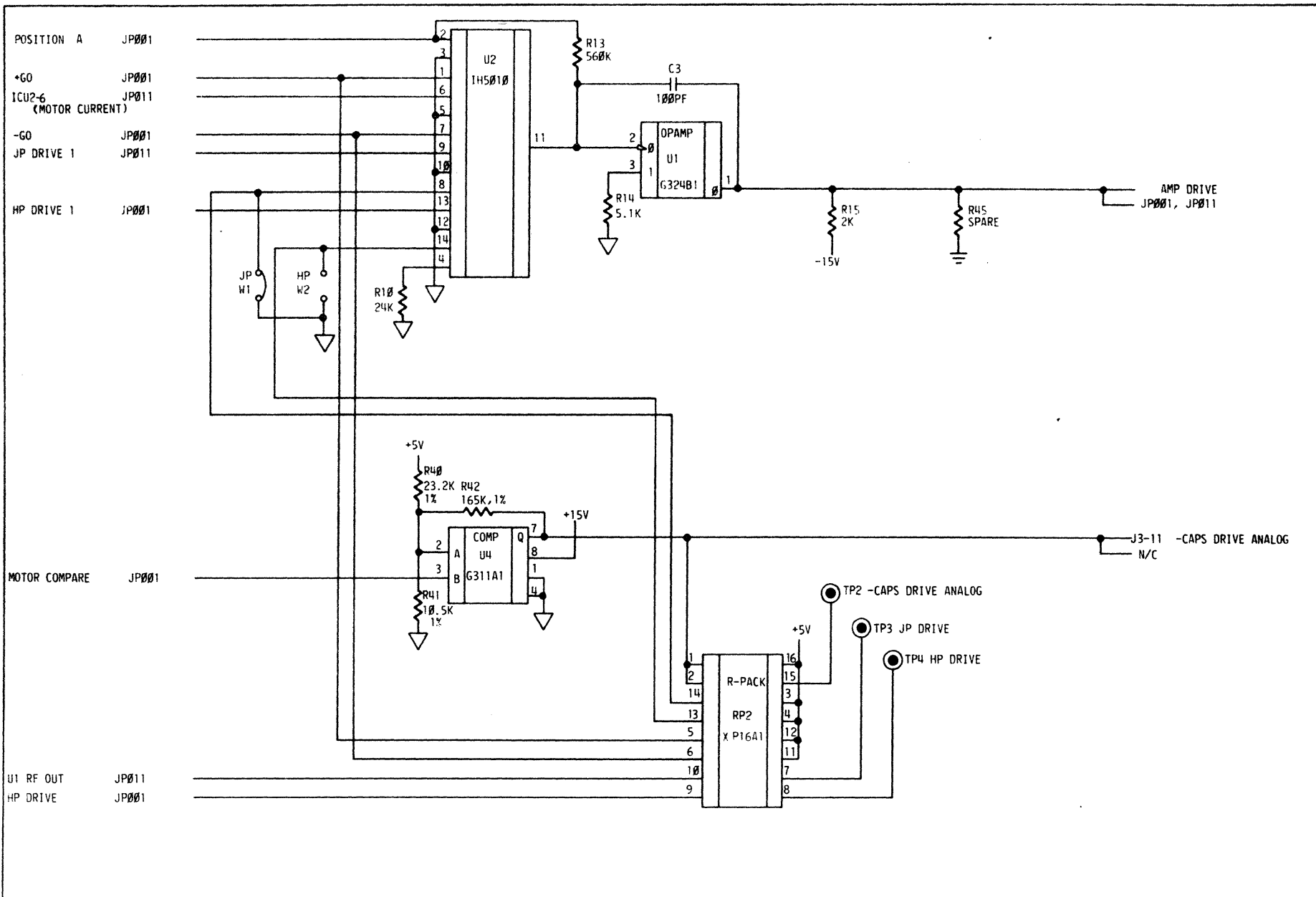
CAPSTAN POWER AMPLIFIER			
PRES. E.C. 49143 PREV. E.C. 44669P DATE 4-18-83	MACH. 1950 VERS. TWO GBL. ROT.	CD. LOC. GATE FRAME	CD. P.N. JP CD. TYPE JP PG. PN. 4325683-02

JP001



NOTES: UNLESS OTHERWISE SPECIFIED:
 1. DENOTES HIGH POWER GROUND.
 2. DENOTES GROUND.
 3. ALL RESISTORS ARE 1/4W, 5% AND VALUES ARE IN OHMS.
 4. ALL CAPACITORS ARE IN MICROFARADS (μF).
 5. THESE LINES ARE CONNECTED TO INTERNAL POWER AND GROUND PLANES.

PREP. E.C. 49143	MACH. 1950	CD. LOC. GATE FRAME	CD. P.N. JP 4025682-02
REV. E.C. 44669P	VERS. TWO		
DATE 4-18-83	GBL. ROT.		



NOTES: UNLESS OTHERWISE SPECIFIED
 1. ∇ DENOTES GROUND. \equiv DENOTES HIGH POWER GROUND.
 2. ALL RESISTORS ARE 1/4W, 5% AND VALUES ARE IN OHMS.
 3. ON THE JP CARD, JUMPER W1 SELECTS THE JP DRIVE CIRCUITRY.

PRES. E.C. PREV. E.C. DATE	0460P NONE 12-6-82	MACH. 1950 VERS. TWO GBL. ROT.	CD. LOC. GATE FRAME	CD. P.N. CD. TYPE JP PG. PN. 4825684-01
----------------------------------	--------------------------	--------------------------------------	---------------------------	---



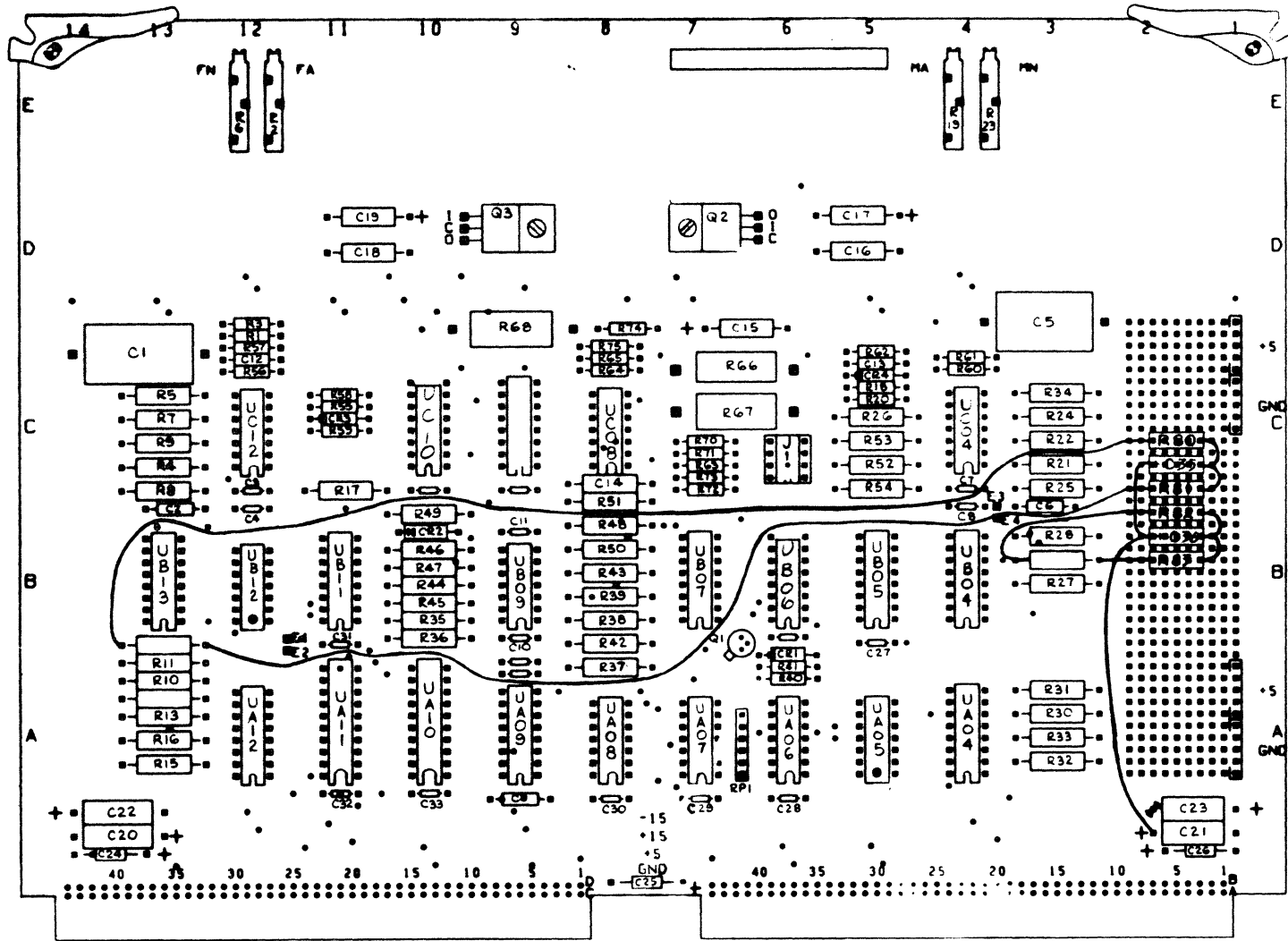
STC TECHNOLOGY CORP.

ASSEMBLY PARTS LIST

BUILD ARC

PRINT DATE	PAGE	EC NO.
10-20-82	1	17762

DIV	ASSEMBLY NUMBER	CD	REV.	DWG.	DESCRIPTION	MC	STATUS	STATUS DATE	FILE DATE					
0500	43500053	4	C	N	SYS,LGC,GP,JS,43109303 PC.	N	REL	07-01-82	1950 07-19-82					
T FIND NO.	LI	PART NUMBER	CD	M	QUANTITY	U/M	PART DESCRIPTION	MC	YLD	EC. NO. IN	EC. NO. OUT	S N	WK IN	WK OUT
000	01	43509018	8		REF	PC	SYS LGC AB001,JS PC	D						
001	01	43509016	2		REF	PC	SYS LGC JS 001 PC	D			54517			8231
001	02	402281901	7		REF	PC	SYS LGC,JS001,PC	D		44763	44763		8231	8231
001	03	402293501	1		REF	PC	SYS LGC,JS001,PC	D		44763			8231	
002	01	43509017	0		REF	PC	SYS LGC JS 011 PC	D			54517			8231
002	02	402282001	5		REF	PC	SYS LGC,JS011,PC	D		54517	44763		8231	8231
002	03	402293601	9		REF	PC	SYS LGC,JS011,PC	D		44763			8231	
003	01	43509014	7		REF	PC	SYS LGC,JS021,PC	D			44763			8231
003	02	402293701	7		REF	PC	SYS LGC,JS021,PC	D		44763			8231	
004	01	43509009	7		REF	PC	SYS LGC, JS031, PC	D			44763			8231
004	02	402293801	5		REF	PC	SYS LGC,JS031,PC	D		44763			8231	
005	01	43509010	5		REF	PC	SYS LGC, JS041, PC	D			54517			8231
005	02	402282101	3		REF	PC	SYS LGC,JS041,PC	D		54517	44763		8231	8231
005	03	402293901	3		REF	PC	SYS LGC,JS041,PC	D		44763			8231	
006	01	43509015	4		REF	PC	SYS LGC,JS051,PC	D			44763			8231
006	02	402294001	1		REF	PC	SYS LGC,JS051,PC	D		44763			8231	
500	01	43109303	8		REF	PC	CKT CD,JS,PC ASSEMBLY	S						
0017 TOTAL LINES														



A
B
O
O

JS CARD, FILE AND MACHINE REEL CONTROL CARD

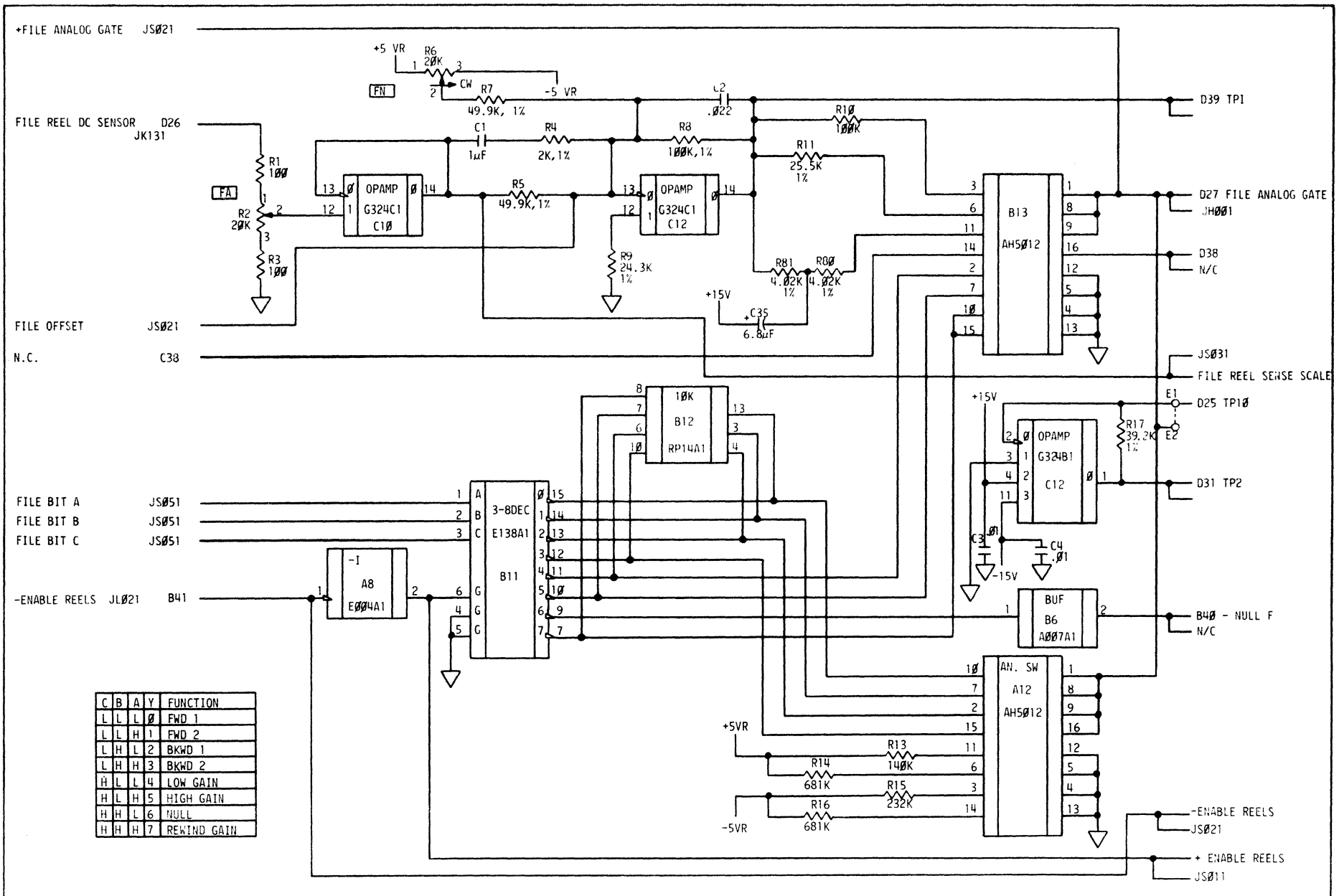
PREV. E.C. 44221
 PREV. E.C. 44070
 DATE 20 MAY 80

MACH. 1950
 VERS.
 GBL. ROT.

CD. LOC. B2
 GATE 1A
 FRAME

CD. PN. 43109303-8
 CD. TYPE JS
 PG. PN. 43509018-8

A
B
O
O



NOTES: UNLESS OTHERWISE SPECIFIED

- RESISTORS ARE 1/4W, 5% AND VALUES ARE IN OHMS.
- ALL CAPACITORS ARE IN MICROFARADS.

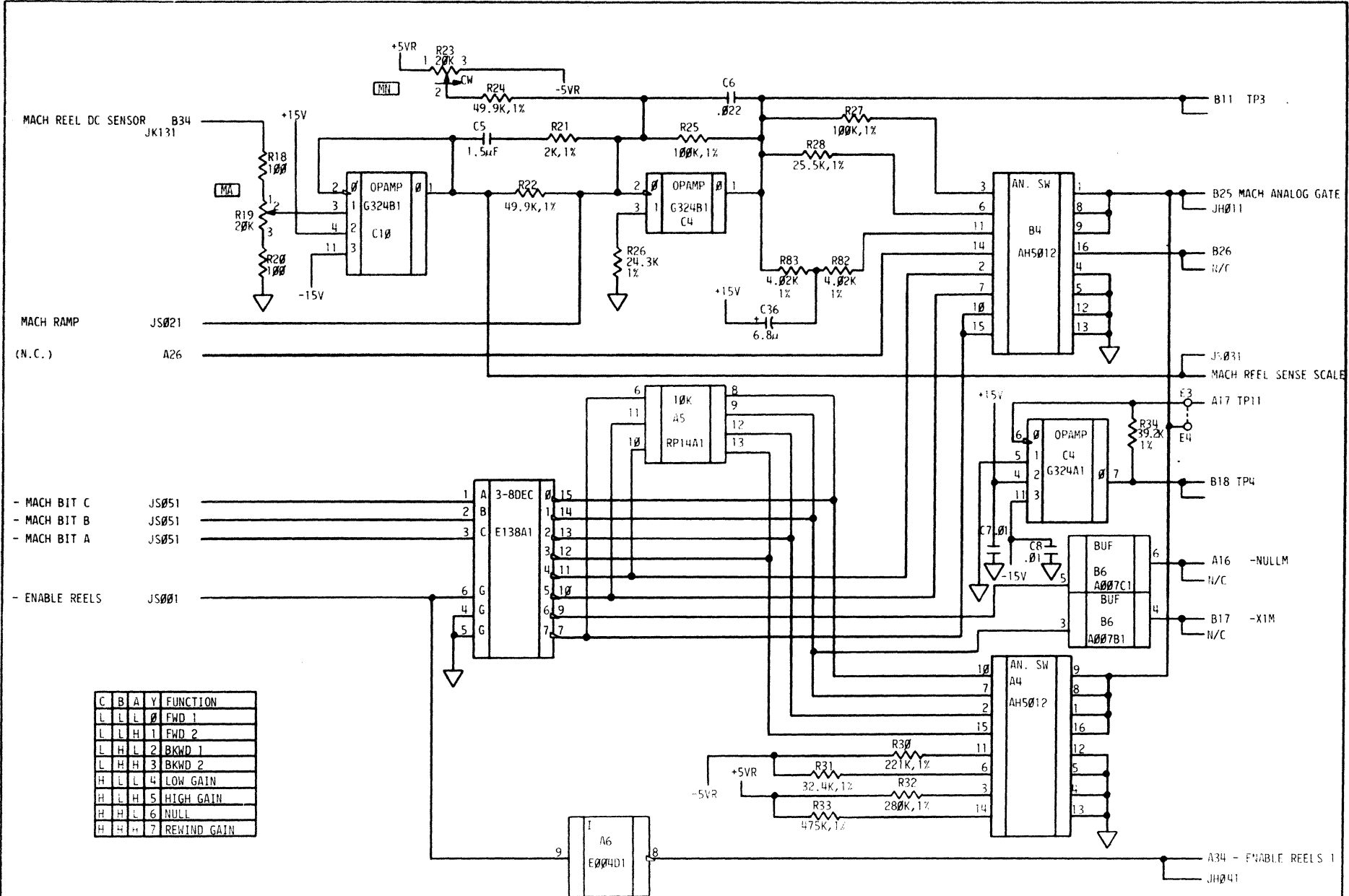
FILE REEL COMPENSATION & SWITCHING

PRES. E.C. 44763
 PREV. E.C. NONE
 DATE 7-7-82

MACH. 1950
 VERS. GBL. ROT.

CD. LOC. B2
 GATE 1A
 FRAME

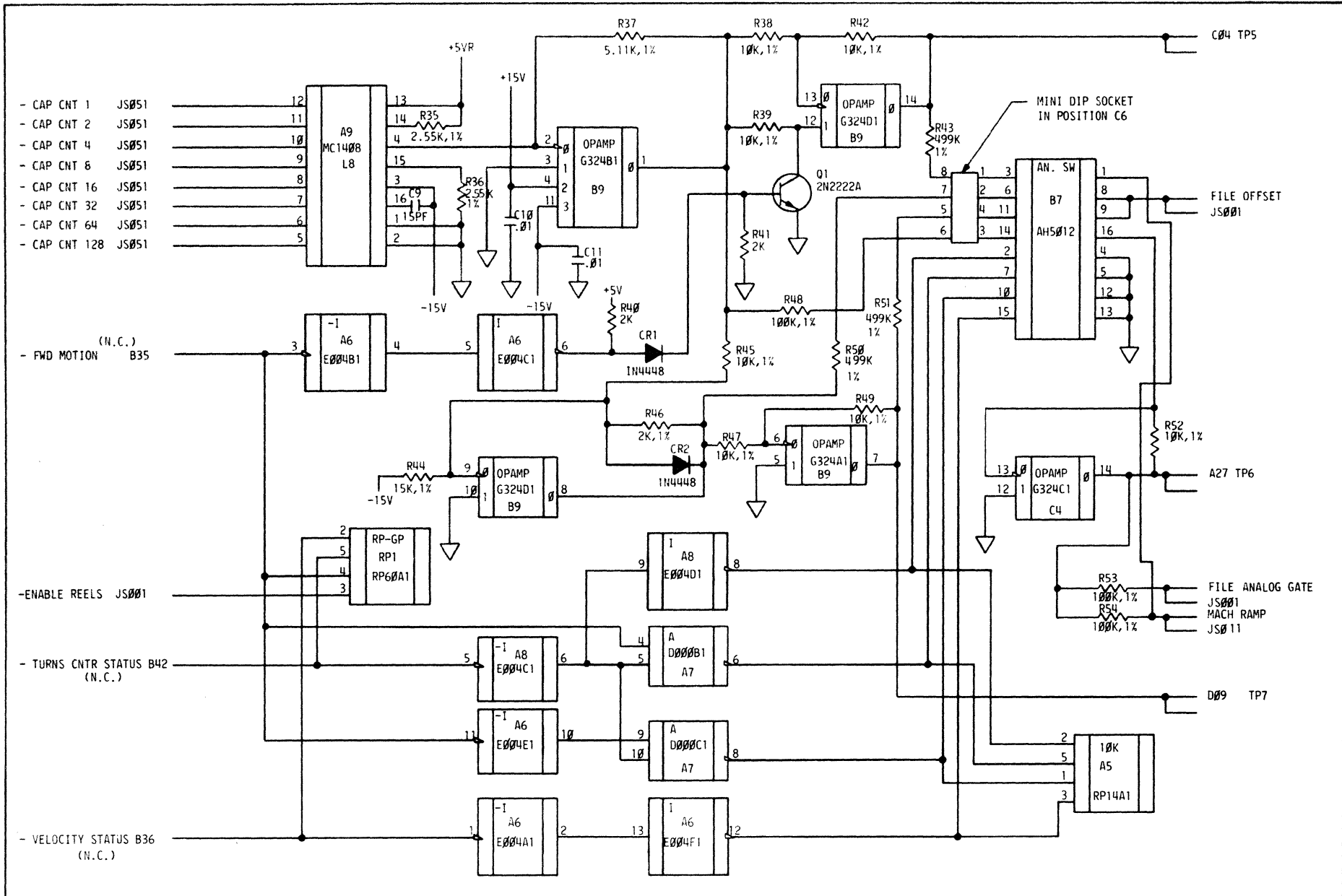
CD. P.N.
 CD. TYPE JS
 PG. P.N. 4022935-01



C	B	A	Y	FUNCTION
L	L	L	0	FWD 1
L	L	H	1	FWD 2
L	H	L	2	BKWD 1
L	H	H	3	BKWD 2
H	L	L	4	LOW GAIN
H	L	H	5	HIGH GAIN
H	H	L	6	NULL
H	H	H	7	REWIND GAIN

NOTES: UNLESS OTHERWISE SPECIFIED
 1. RESISTORS ARE 1/4W, 5% AND VALUES ARE IN OHMS.
 2. ALL CAPACITORS ARE IN MICROFARADS.

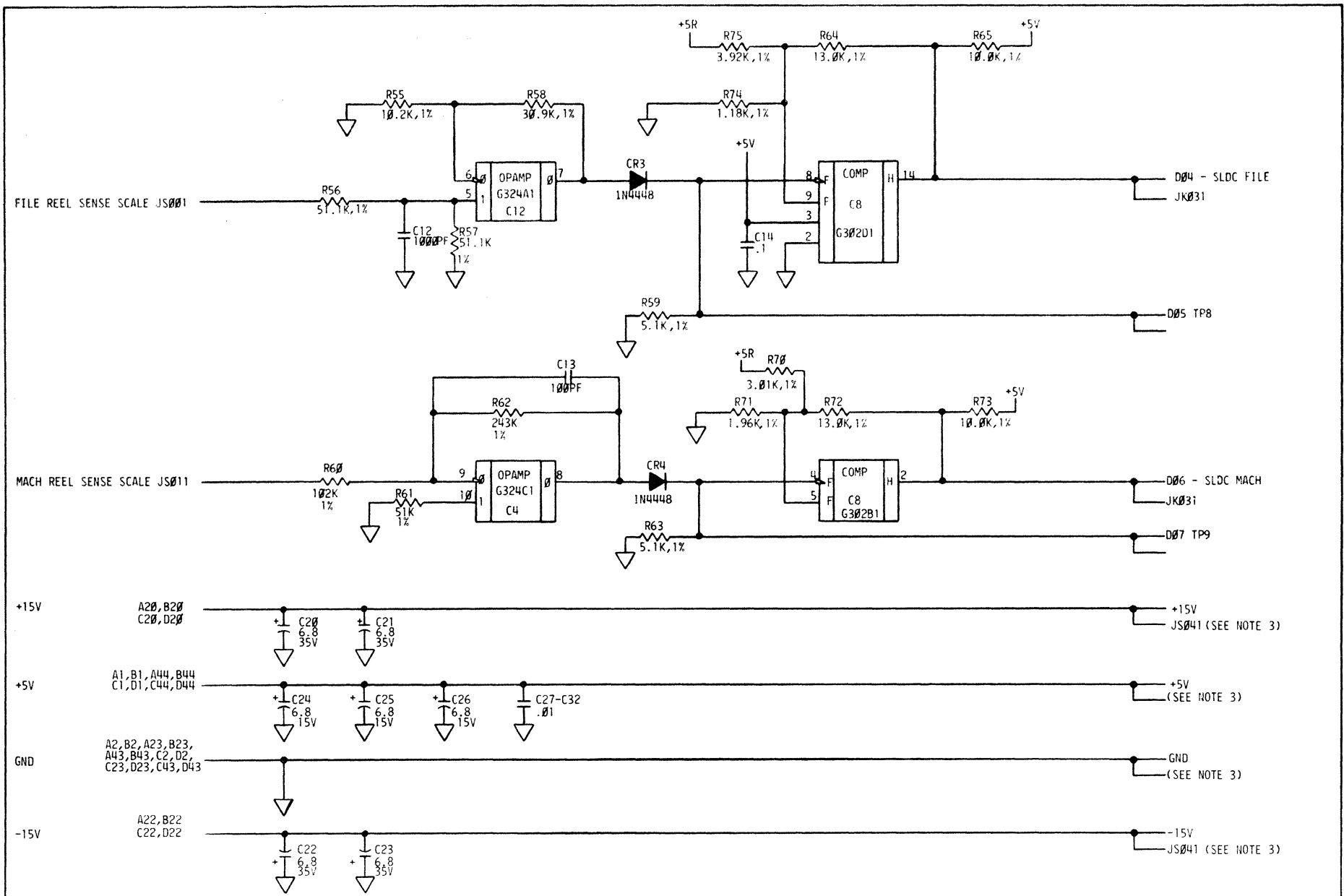
MACH REEL COMPENSATION & SWITCHING			
PRES. E.C. 40733 PREV. E.C. NONE DATE 7-7-82	MACH. 1950 VERS. 109E GBL. ROT.	CD. LOC. B2 GATE FRAME	CD. P.N. JS CD. TYPE JS PG. P.N. 4022936-01



- CAP CNT 1 JS051
- CAP CNT 2 JS051
- CAP CNT 4 JS051
- CAP CNT 8 JS051
- CAP CNT 16 JS051
- CAP CNT 32 JS051
- CAP CNT 64 JS051
- CAP CNT 128 JS051
- FWD MOTION (N.C.) B35
- ENABLE REELS JS001
- TURNS CNTR STATUS B42 (N.C.)
- VELOCITY STATUS B36 (N.C.)

NOTES: UNLESS OTHERWISE SPECIFIED
 1. RESISTORS ARE 1/4W, 5% AND VALUES ARE IN OHMS.
 2. ALL CAPACITORS ARE IN MICROFARADS.

PRES. E.C. 44763		MACH. 1950		CD. LOC. B2	CD. P.N.
PREV. E.C. NONE		VERS. GBL. ROT.		GATE A1	CD. TYPE JS
DATE 7-7-82				FRAME	PG. P.N. 4022937-01

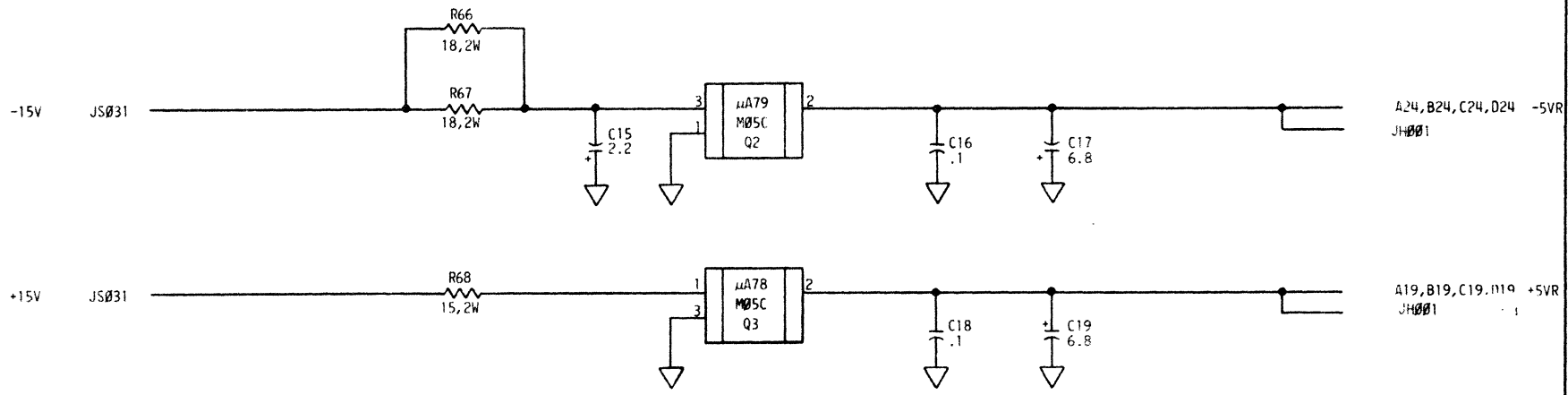


NOTES: UNLESS OTHERWISE SPECIFIED

1. RESISTORS ARE 1/4W, 5% AND VALUES ARE IN OHMS.
2. ALL CAPACITORS ARE IN MICROFARADS.
3. THESE LINES ARE CONNECTED TO INTERNAL POWER AND GROUND PLANES.

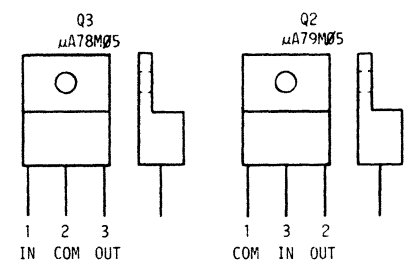
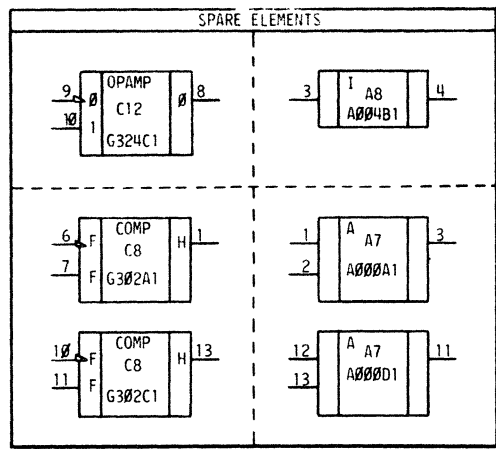
REWIND SLOW DOWN CAPSTAN

PRES. E.C.	44763	MACH.	1950	CD. LOC.	B2	CD. R.N.	
PREV. E.C.	NONE	VERS.		GATE	1A	CD. TYPE	JS
DATE	7-7-82	GBL. ROT.		FRAME		PG. R.N.	4022938-01



A24, B24, C24, D24 -5VR
JH001

A19, B19, C19, D19 +5VR
JH001

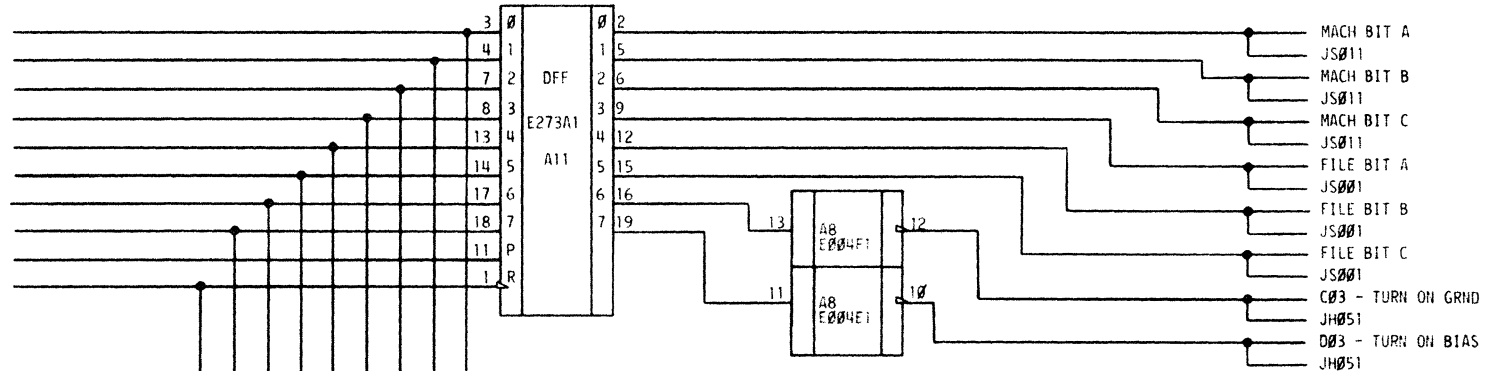


FRONT VIEW

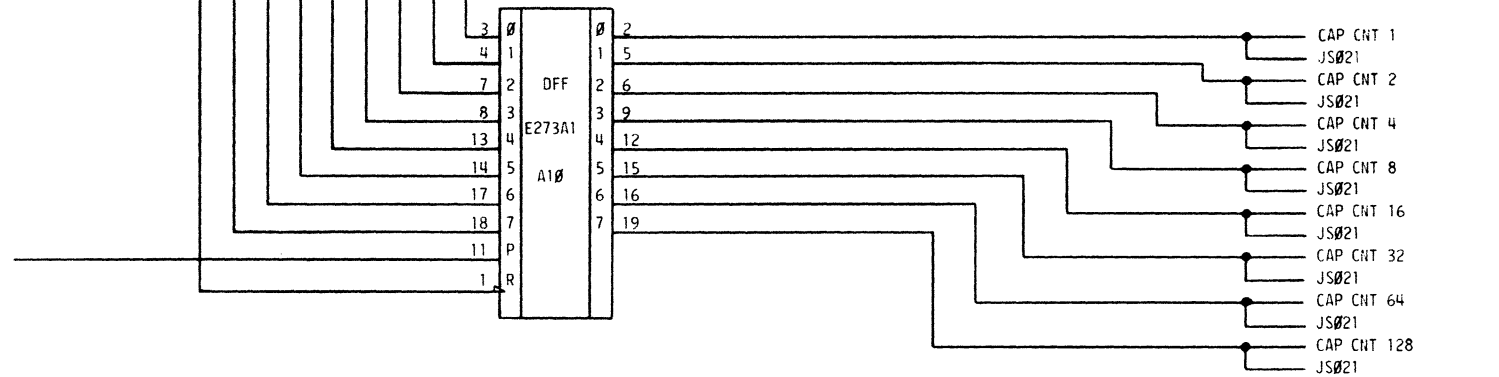
NOTES: UNLESS OTHERWISE SPECIFIED
 1. RESISTORS ARE 1/4W, 5% AND VALUES ARE IN OHMS.
 2. ALL CAPACITORS ARE IN MICROFARADS.

		± 5VR POWER			
PRES. E.C.	44763	MACH. VERS.	1950	CD. LOC.	B2
PREV. E.C.	NONE	GBL. ROT.		GATE FRAME	1A
DATE	7-7-82			CD. P.N.	JS
				PG. P.N.	4022939-01

+B BUS BIT 0 JK041 D11
 +B BUS BIT 1 JK041 C10
 +B BUS BIT 2 JK041 D10
 +B BUS BIT 3 JK041 C09
 +B BUS BIT 4 JK041 D16
 +B BUS BIT 5 JK041 C15
 +B BUS BIT 6 JK041 D15
 +B BUS BIT 7 JK041 C14
 -LD REEL REG JK075 D17
 + PWR SAFE JJ131 C11



- LD COLM BIAS REG JK091 C16



NOTES: UNLESS OTHERWISE SPECIFIED

1. RESISTORS ARE 1/4W, 5% AND VALUES ARE IN OHMS.
2. ALL CAPACITORS ARE IN MICROFARADS.

SEQUENCER INTERFACE			
PRES. E.C.	44763	MACH. VERS.	1950
PREV. E.C.	NONE	GBL. ROT.	
DATE	7-7-82	CD. LOC. B2	CD. PN. JS
		GATE FRAME	PG. PN. 4022940-01

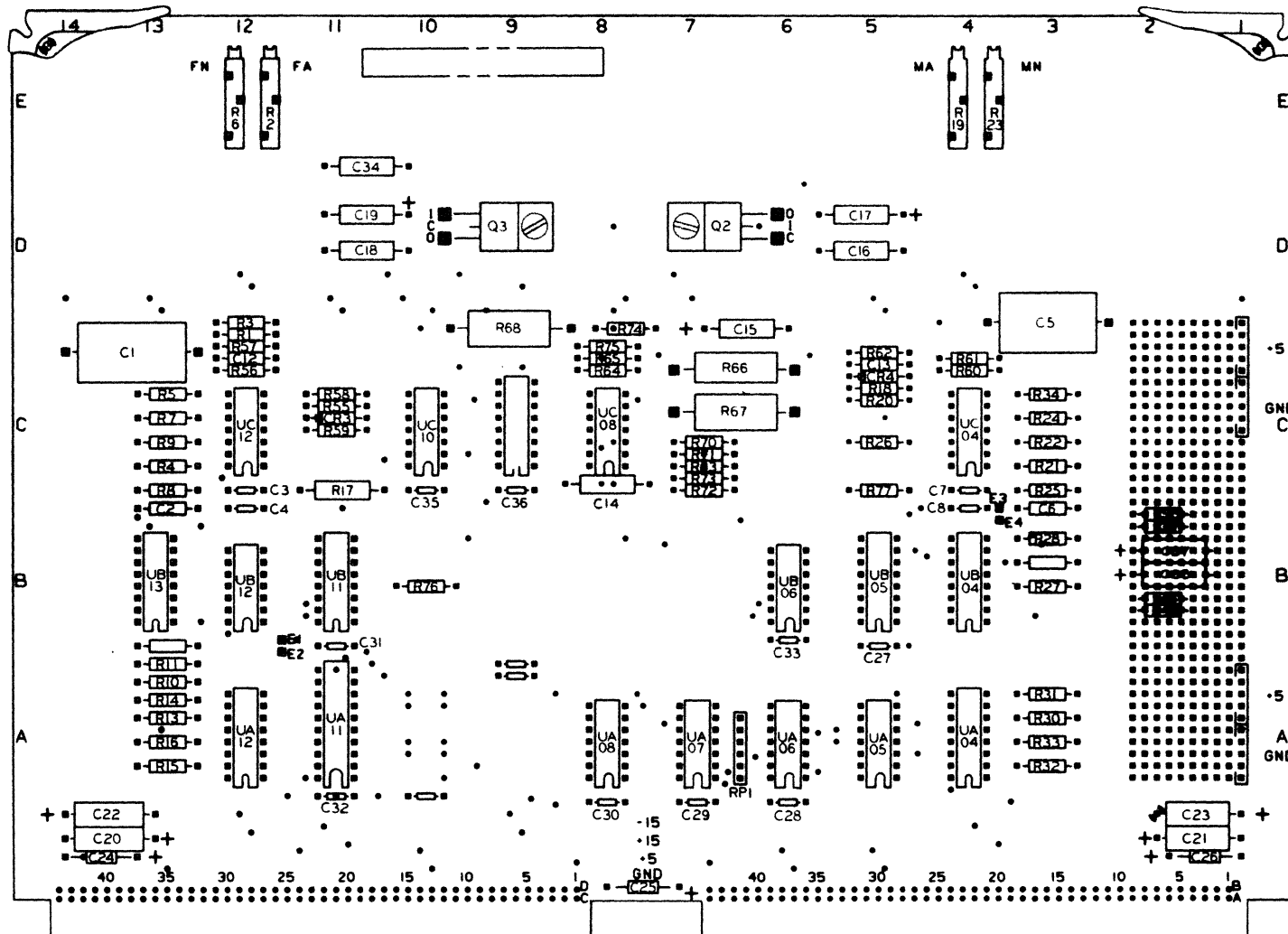
4022940-01

4022940-01

ASSEMBLY PARTS LIST

PRINT DATE	PAGE	E.C. NO.
11-16-82	1	4753N

DIV		ASSEMBLY NUMBER		CD	REV.	DWG.	DESCRIPTION			MC	STATUS	STATUS DATE		FILE DATE			
0500		401273201		4	E	N	SYS LGC GP, JS, 401227203, PC			N	REL	11-03-82 1950		11-09-82			
T FIND NO	LI	PART NUMBER		CD	M	QUANTITY	U/M	PART DESCRIPTION			MC	YLD	EC. NO. IN	EC. NO. OUT	S/N	WK IN	WK OUT
000	01	401272001		9		REF		PC SYS LGC, JS, AB001, PC			D						
001	01	401272101		7		REF		PC SYS LGC, JS001, PC			D			44639			8204
001	02	401272102		5		REF		PC SYS LGC, JS001, PC			D		44639	54517		8204	8231
001	03	401272103		3		REF		PC SYS LGC, JS001, PC			D		54517	44763		8231	8231
001	04	402294101		9		REF		PC SYS LGC, JS001, PC			D		44763	44763N		8231	8231
001	05	402294102		7		REF		PC SYS LGC, JS001, PC			D		44763N			8231	
010	01	401272201		5		REF		PC SYS LGC, JS011, PC			D			44639			8204
010	02	401272202		3		REF		PC SYS LGC, JS011, PC			D		44639	54517		8204	8231
010	03	401272203		1		REF		PC SYS LGC, JS011, PC			D		54517	44763		8231	8231
010	04	402294201		7		REF		PC SYS LGC, JS011, PC			D		44763			8231	
030	01	401272301		3		REF		PC SYS LGC, JS031, PC			D			44639			8204
030	02	401272302		1		REF		PC SYS LGC, JS031, PC			D		44639	44763		8204	8231
030	03	402294301		5		REF		PC SYS LGC, JS031, PC			D		44763			8231	
040	01	401272401		1		REF		PC SYS LGC, JS041, PC			D			44639			8204
040	02	401272402		9		REF		PC SYS LGC, JS041, PC			D		44639	54517		8204	8231
040	03	401272403		7		REF		PC SYS LGC, JS041, PC			D		54517	44763		8231	8231
040	04	402294401		3		REF		PC SYS LGC, JS041, PC			D		44763			8231	
050	01	401272501		8		REF		PC SYS LGC, JS051, PC			D			44763			8231
050	02	402294501		0		REF		PC SYS LGC, JS051, PC			D		44763			8231	
500	01	401227203		7		REF		PC CKT CD, JS, PC ASSEMBLY			S						
0020 TOTAL LINES																	



JS CD, REEL MOTOR PRE-AMP

PRE. E.C. 44101
 PREV. E.C.
 DATE 6-9-80

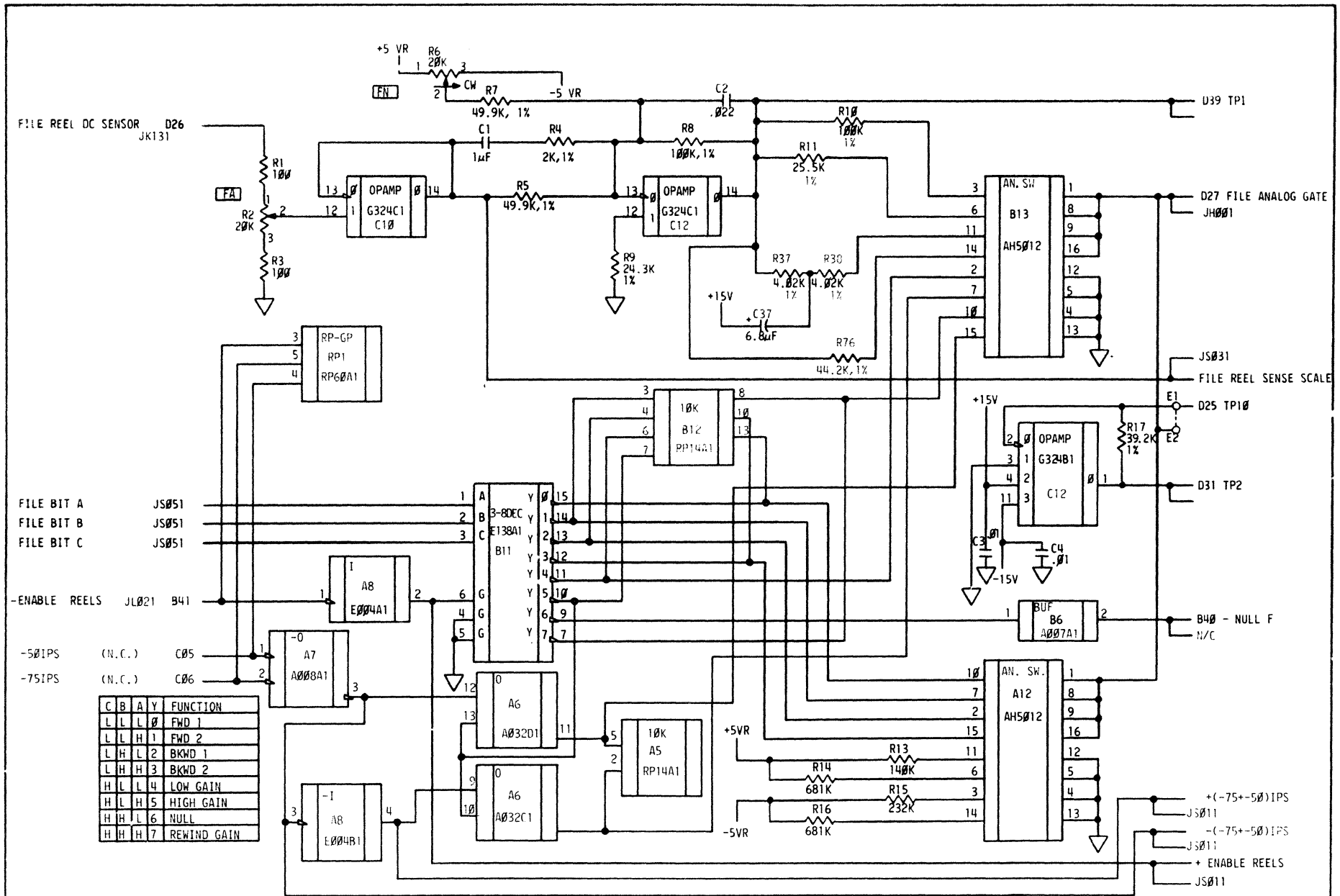
MACH. 1950
 VERS.
 GBL. ROT.

CD. LOC. B2
 GATE 1A
 FRAME

CD. PN. 401227203-7
 CD. TYPE JS
 PG. PN. 4012720-01-9

A
 O
 O
 B
 I

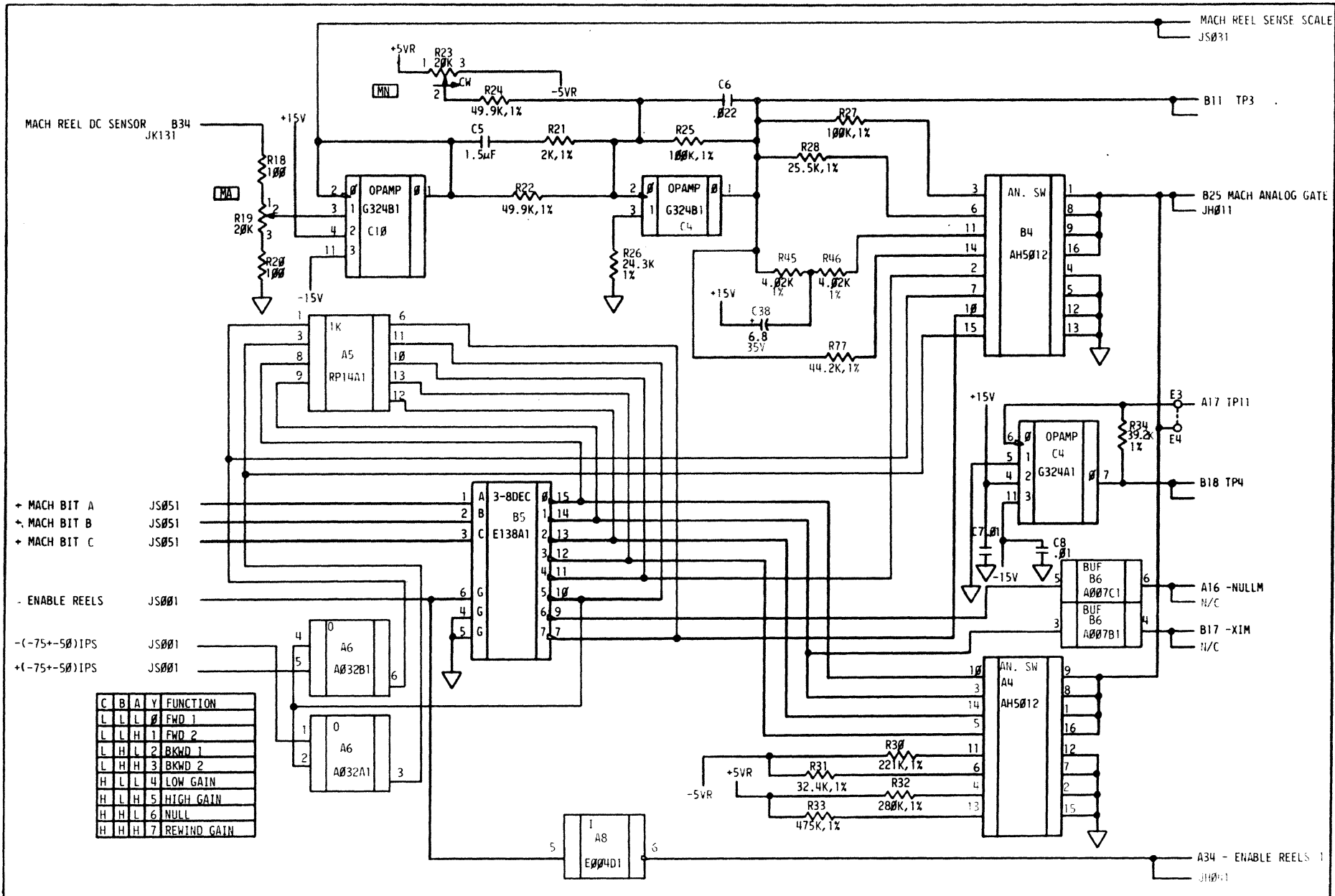
A
 O
 O
 B
 I



FILE REEL COMPENSATION & SWITCHING

PRES. E.C. 44763N PREV. E.C. 44763 DATE 11-5-82	MACH. VERS. GBL. ROT.	CD. LOC. B2 GATE 1A FRAME	CD. P.N. CD. TYPE JS PG. P.N. 4022941 P2
---	-----------------------	---------------------------------	--

JS011



NOTES: UNLESS OTHERWISE SPECIFIED

1. RESISTORS ARE 1/4W, 5% AND VALUES ARE IN OHMS.
2. ALL CAPACITORS ARE IN MICROFARADS.

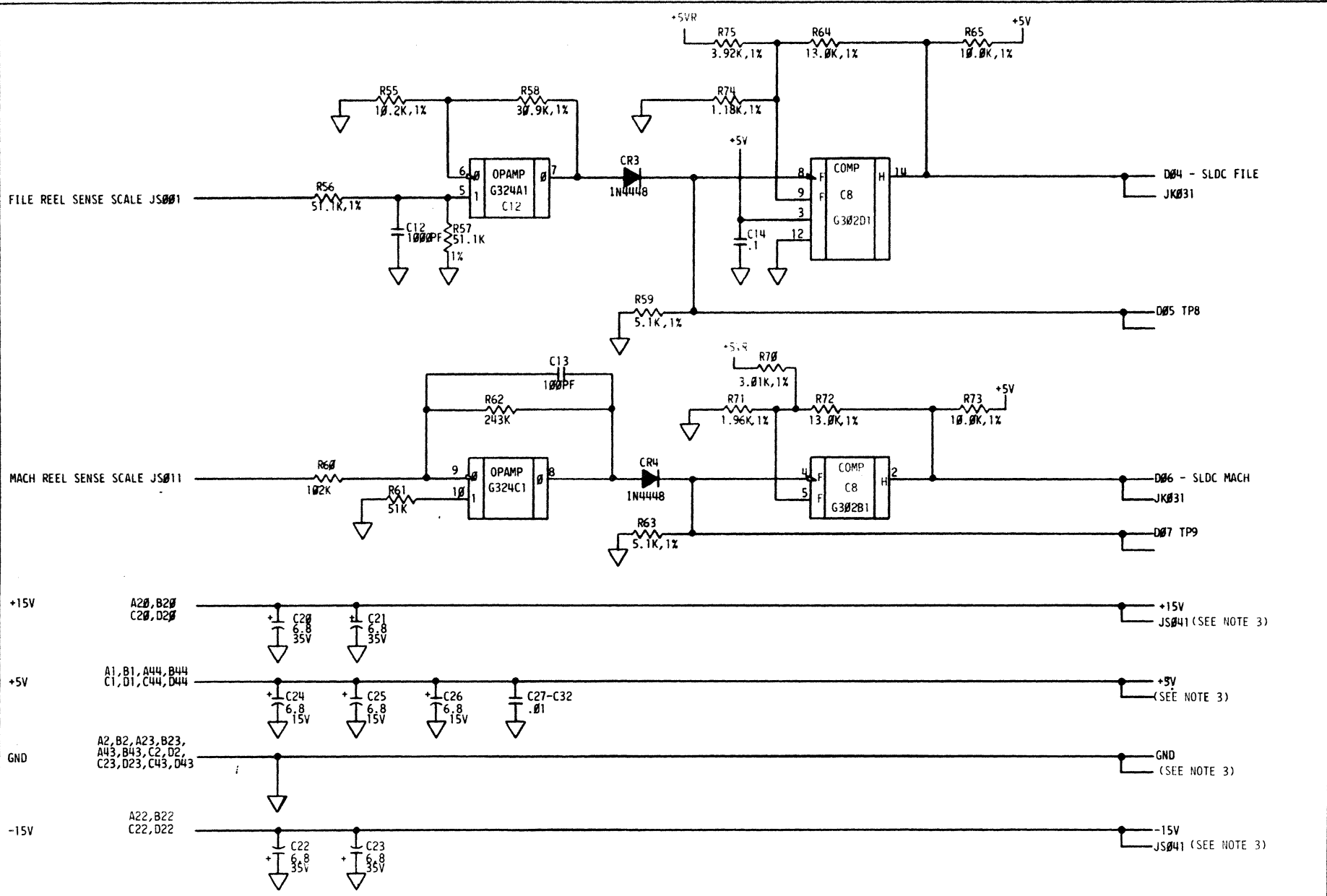
MACH REEL COMPENSATION & SWITCHING

PRES. E.C. 44763
 PREV. E.C. NONE
 DATE 7-7-82

MACH. VERN. 08L. ROT.

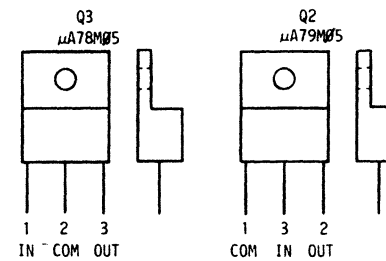
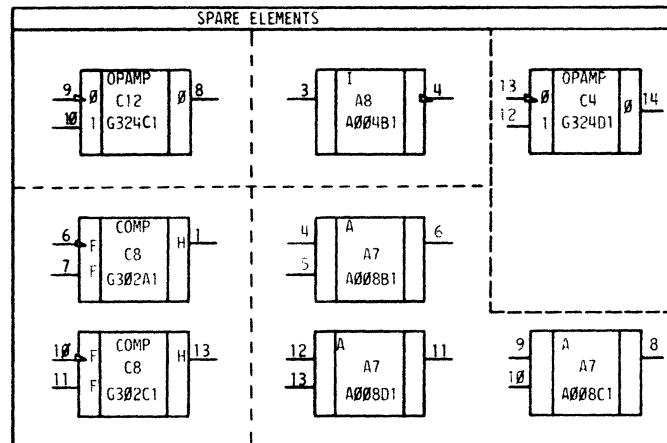
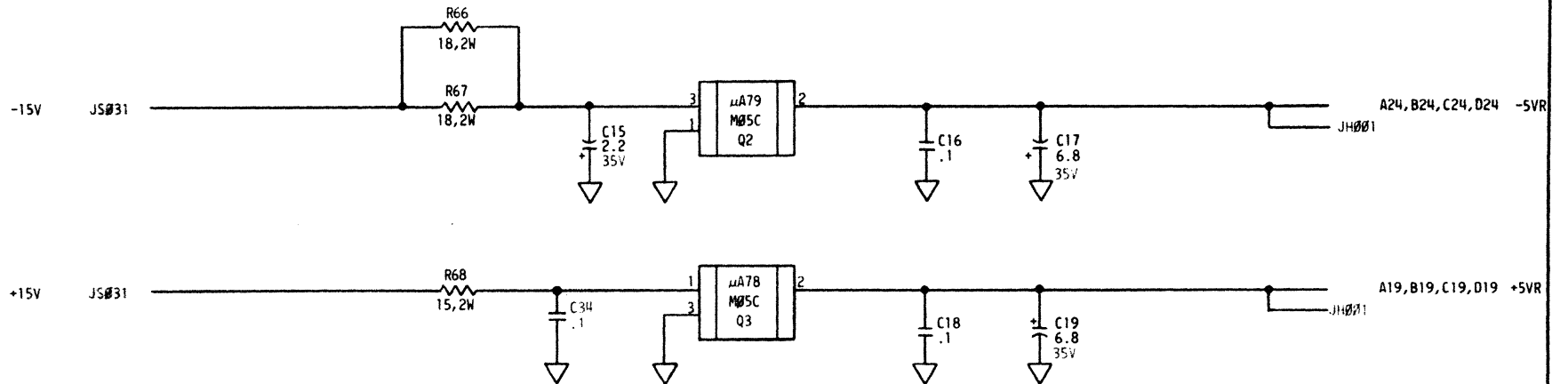
CD. LOC. B2
 GATE FRAME

CD. P.N. JS
 PG. P.N. 4022942-01



- NOTES: UNLESS OTHERWISE SPECIFIED
1. RESISTORS ARE 1/4W, 5% AND VALUES ARE IN OHMS.
 2. ALL CAPACITORS ARE IN MICROFARADS.
 3. THESE LINES ARE CONNECTED TO INTERNAL POWER AND GROUND PLANES.

REWIND SLOW DOWN CAPSTAN			
PRES. E.C. PREV. E.C. DATE	44763 8011F 7-7=82	MACH. VERS. GBL. ROT.	CD. LOC. B2 GATE 1A FRAME
		CD. P.N. CD. TYPE JS PG. P.N. 4022943 01	

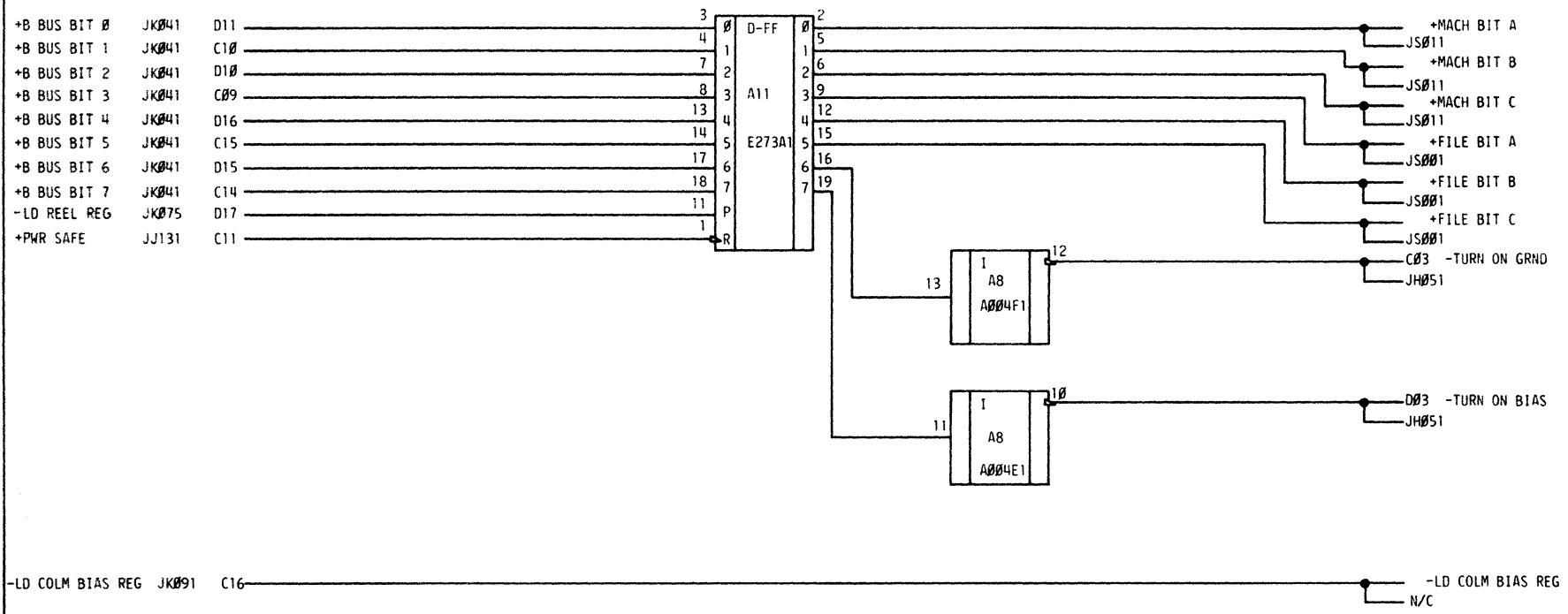


FRONT VIEW

NOTES: UNLESS OTHERWISE SPECIFIED

1. RESISTORS ARE 1/4W, 5% AND VALUES ARE IN OHMS.
2. ALL CAPACITORS ARE IN MICROFARADS.

		± 5VR POWER				JS 041
PRES. E.C.C.	44763	MACH. VERS.		CD. LOC. B2	CD. P.N. JS	
PREV. E.C.C.	NONE	GBL. ROT.		GATE FRAME 1A	CD. TYPE	
DATE	7-7-82				PG. RN. JS 4022944-01	



NOTES: UNLESS OTHERWISE SPECIFIED
 1. RESISTORS ARE 1/4W, 5% AND VALUES ARE IN OHMS.
 2. ALL CAPACITORS ARE IN MICROFARADS.

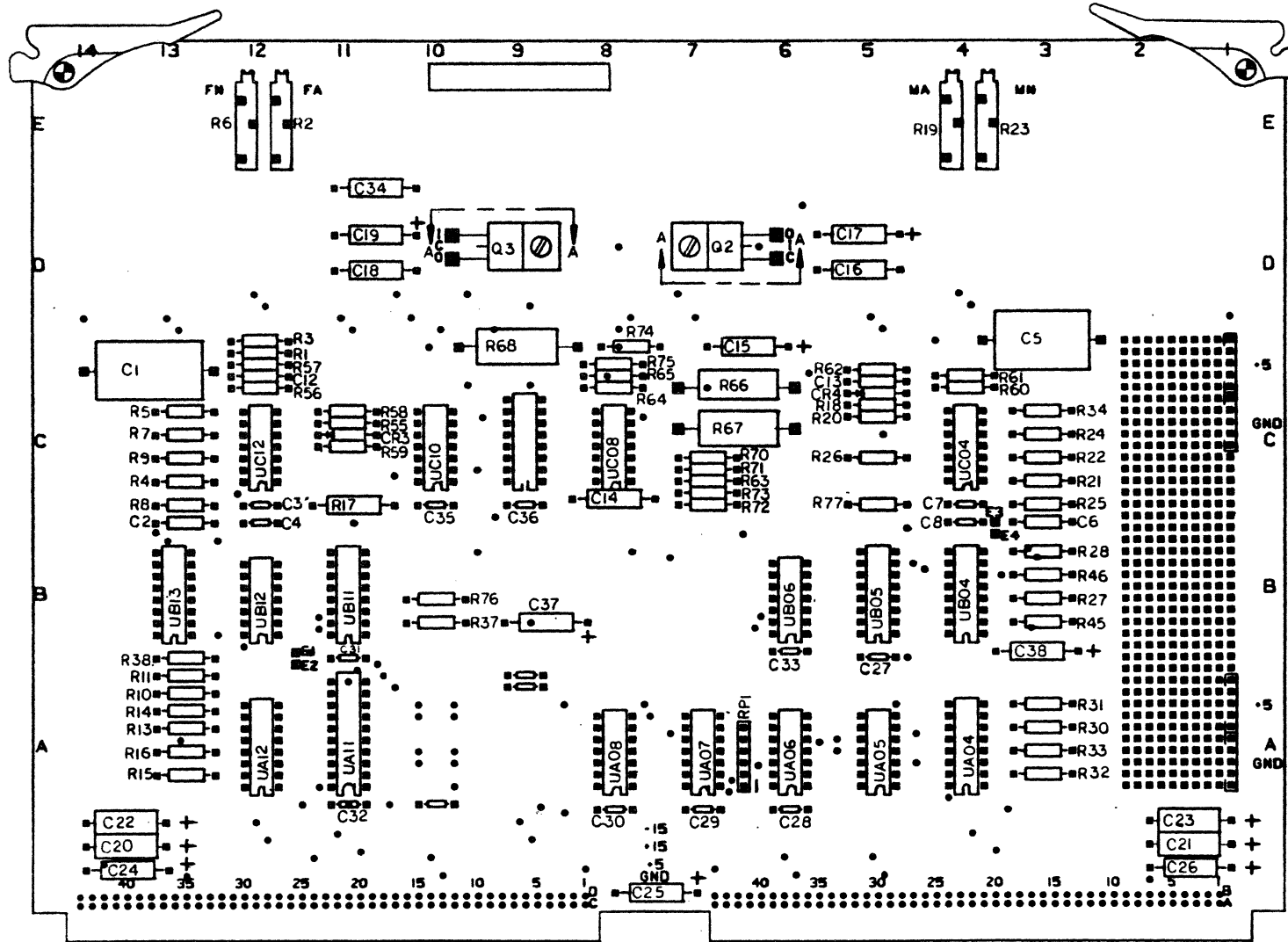
SEQUENCER INTERFACE

PRES. E.C.	44763	MACH. VERS.	CD. LOC.	82	CD. P.N.	JS 4022945-01
PREV. E.C.	NONE	MACH. ROT.	GATE	1A	CD. TYPE	
DATE	7-7-82		FRAME		PG. P.N.	

ASSEMBLY PARTS LIST

PRINT DATE	PAGE	NO.
11-16-82	1	63N

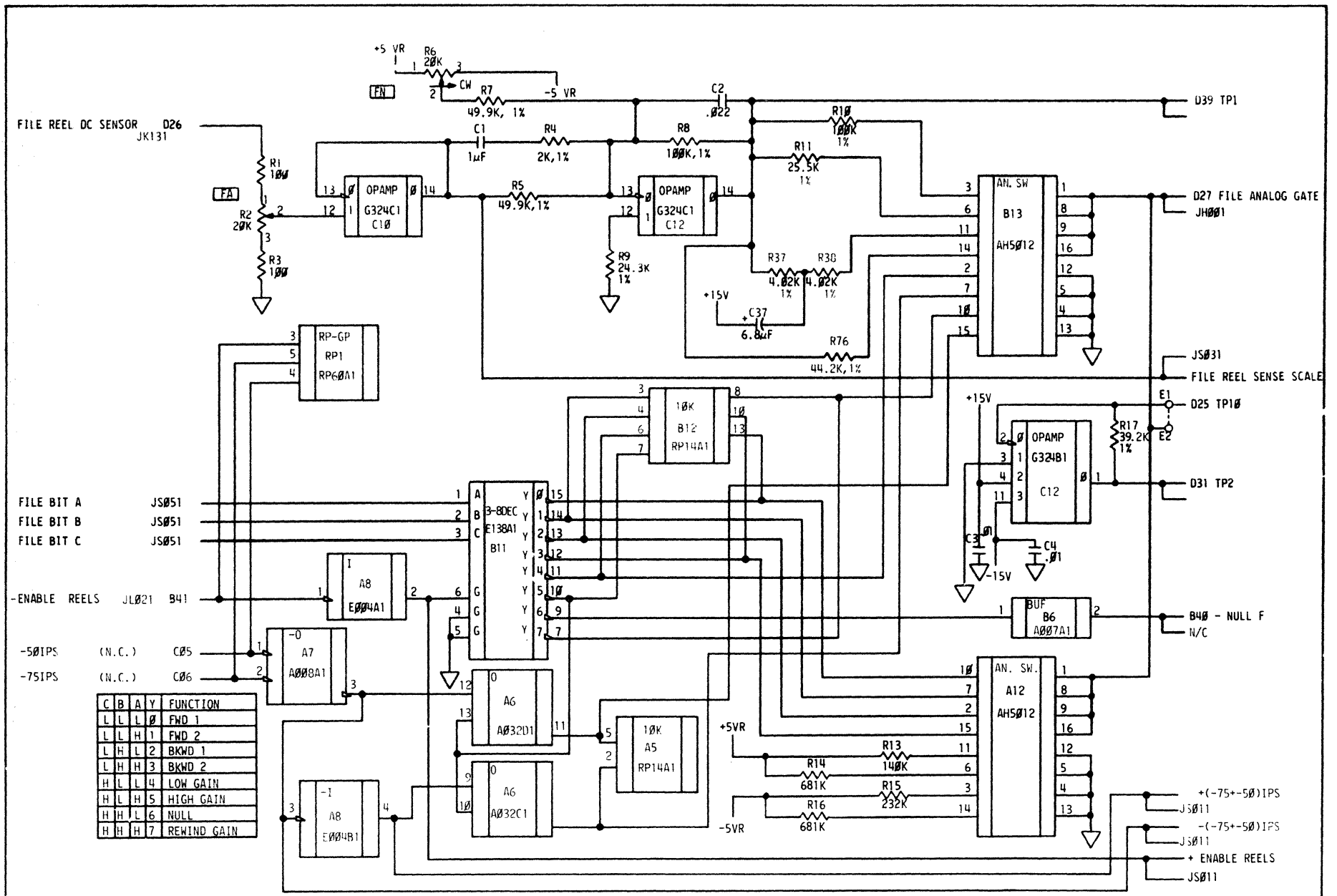
DIV		ASSEMBLY NUMBER	CD	REV.	DWG.	DESCRIPTION	MC	STATUS	STATUS DATE				FILE DATE		
0500		401557001	5	C	N	SYS LGC GP JS 101227303,PC	N	REL	11-03-82	1950			11-15-82		
T/FIND NO	LI	PART NUMBER	CD	M	QUANTITY	U/M	PART DESCRIPTION		MC	YLD	E.C. NO. IN	E.C. NO. OUT	S/N	WK IN	WK OUT
000	01	401648901	7		REF	PC	SYS LGC, JS, A001 PC		0						
001	01	401272102	5		REF	PC	SYS LGC, JS001, PC		0			54517			8246
001	02	401272103	3		REF	PC	SYS LGC, JS001, PC		0		54517	44763N		8246	8246
001	03	402294101	9		REF	PC	SYS LGC, JS001, PC		0		44763N	44763N		8246	8246
001	04	402294102	7		REF	PC	SYS LGC, JS001, PC		0		44763N			8246	
011	01	401272202	3		REF	PC	SYS LGC, JS011, PC		0			54517			8246
011	02	401272203	1		REF	PC	SYS LGC, JS011, PC		0		54517	44763N		8246	8246
011	03	402294201	7		REF	PC	SYS LGC, JS011, PC		0		44763N			8246	
031	01	401272302	1		REF	PC	SYS LGC, JS031, PC		0			44763N			8231
031	02	402294301	5		REF	PC	SYS LGC, JS031, PC		0		44763N			8231	
041	01	401272402	9		REF	PC	SYS LGC, JS041, PC		0			54517			8246
041	02	401272403	7		REF	PC	SYS LGC, JS041, PC		0		54517	44763N		8246	8246
041	03	402294401	3		REF	PC	SYS LGC, JS041, PC		0		44763N			8246	
051	01	401272501	8		REF	PC	SYS LGC, JS051, PC		0			44763N			8246
051	02	402294501	0		REF	PC	SYS LGC, JS051, PC		0		44763N			8246	
500	01	401227303	5		REF	PC	CKT CD, JS, PC ASSEMBLY		S						
0016 TOTAL LINES															



A
B
0
0
1

JS CARD, FILE AND MACHINE REEL CONTROL CARD			
PREL. E.C. 44639	MACH. VERS.	CD. LOC. B2	CD. P.N. 4012215-03
PREV. E.P. MOVE	GBL. ROT.	GATE FRAME	CD. TYPE J5
DATE 10-20-81			PG. P.N. 4016489-01

A
B
0
0
1



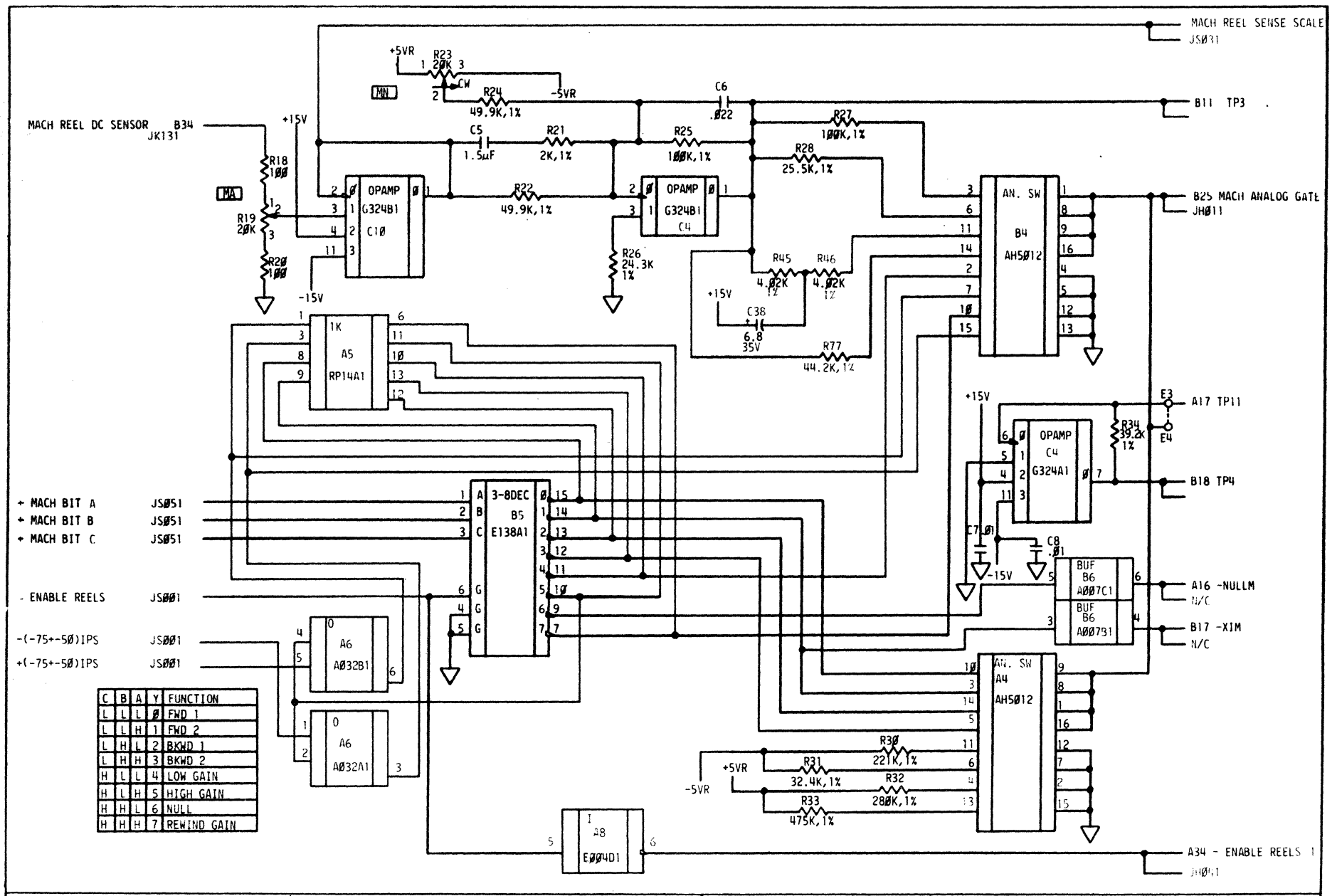
FILE REEL COMPENSATION & SWITCHING

PRES. E.C. 44763A
 PREV. E.C. 44763
 DATE 11-5-82

MACH. VERS. GBL. ROT.

CD. LOC. B2
 GATE 1A
 FRAME

CD. P.N. JSØ11
 CD. TYPE JS
 PG. RN. 4Ø22941 Ø2

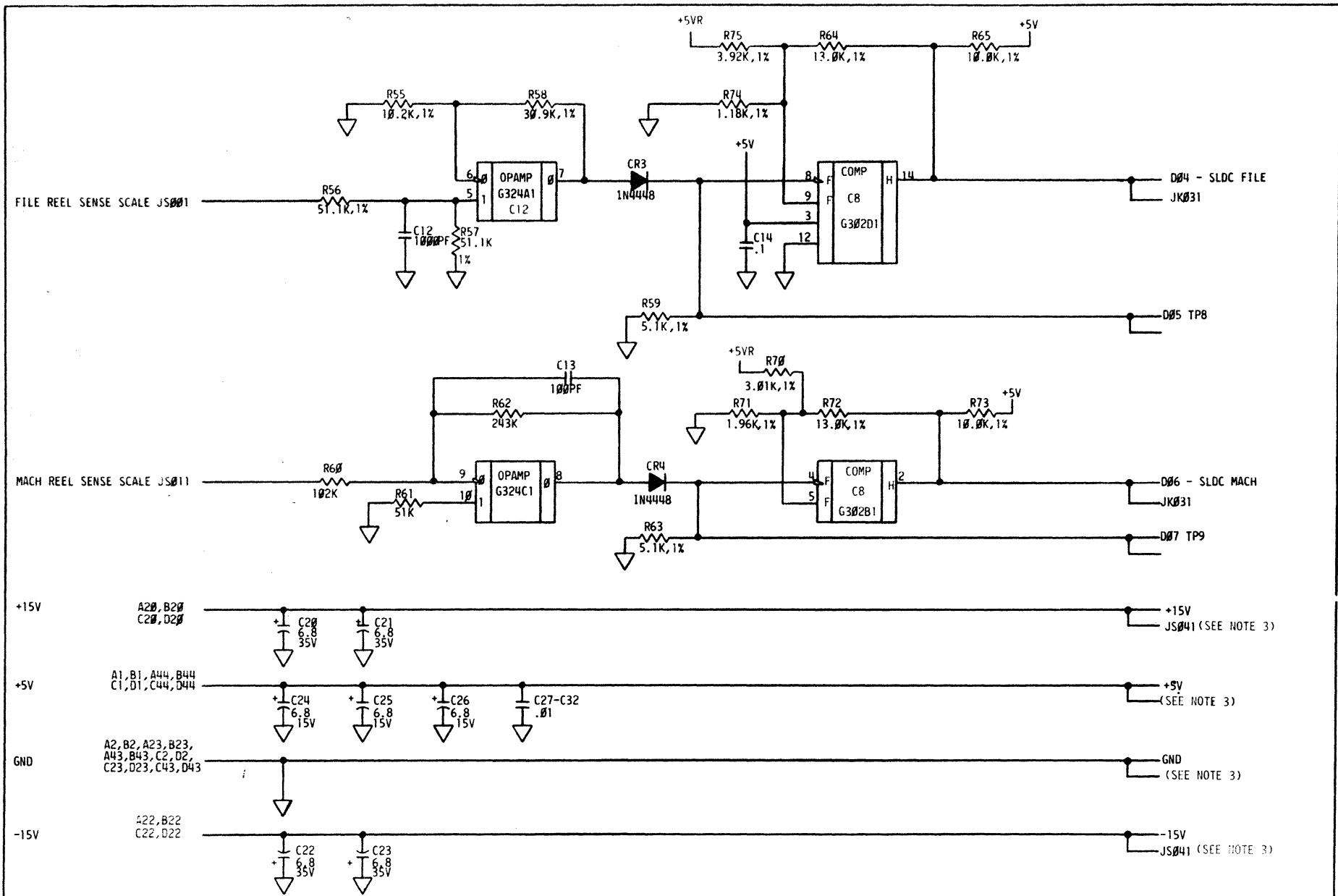


- + MACH BIT A JS051
- + MACH BIT B JS051
- + MACH BIT C JS051
- ENABLE REELS JS001
- (-75+-50)IPS JS001
- +(-75+-50)IPS JS001

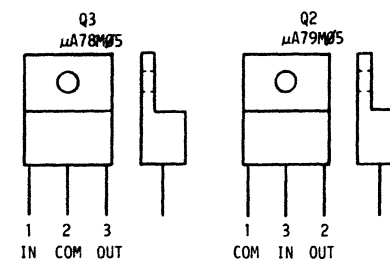
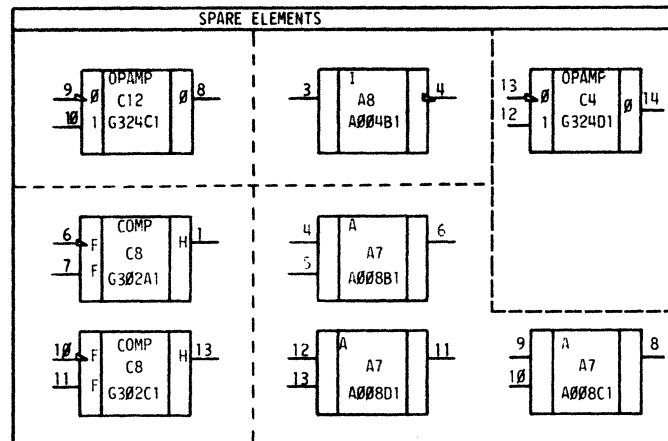
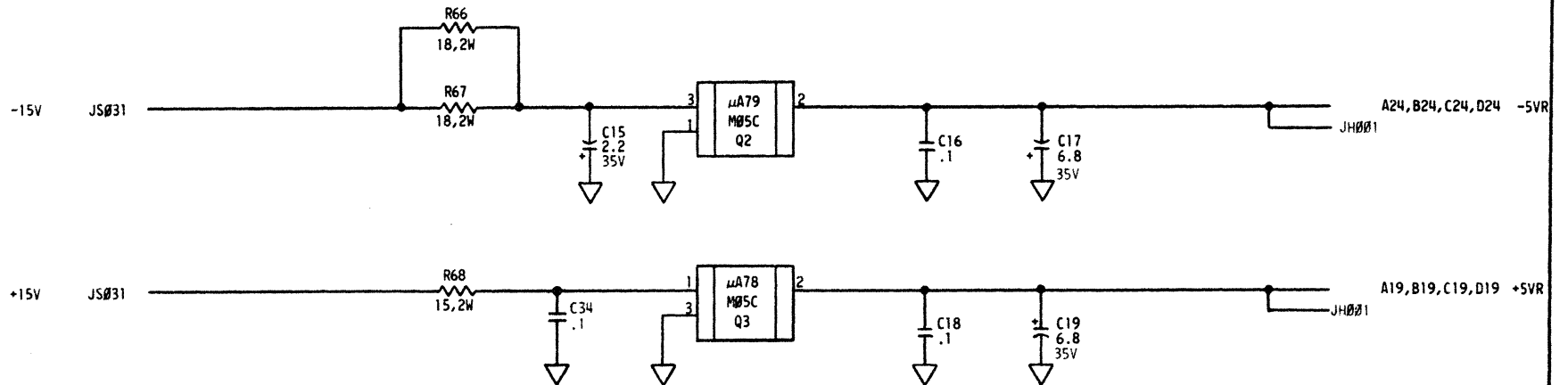
C	B	A	Y	FUNCTION
L	L	L	0	FWD 1
L	L	H	1	FWD 2
L	H	L	2	BKWD 1
L	H	H	3	BKWD 2
H	L	L	4	LOW GAIN
H	L	H	5	HIGH GAIN
H	H	L	6	NULL
H	H	H	7	REWIND GAIN

NOTES: UNLESS OTHERWISE SPECIFIED
 1. RESISTORS ARE 1/4W, 5% AND VALUES ARE IN OHMS.
 2. ALL CAPACITORS ARE IN MICROFARADS.

MACH REEL COMPENSATION & SWITCHING		CD. LOC. B2	CD. RN. JS
PRES. E.C. 44763	MACH. VERS. NONE	GATE FRAME	CD. TYPE JS
DATE 7-7-82	GBL. ROT.		PG. RN. 4022942-01



GAF Polytrace 033	NOTES: UNLESS OTHERWISE SPECIFIED		REWIND SLOW DOWN CAPSTAN		J S 0 3 1	
	1. RESISTORS ARE 1/4W, 5% AND VALUES ARE IN OHMS.	PREV. E.C. 44763	MACH. VERS. NONE	CD. LOC. B2		CD. P.N. JS
	2. ALL CAPACITORS ARE IN MICROFARADS.	DATE 7-7-82	GBL. ROT.	GATE 1A		PG. P.N. 4022943 #1
	3. THESE LINES ARE CONNECTED TO INTERNAL POWER AND GROUND PLANES.					



FRONT VIEW

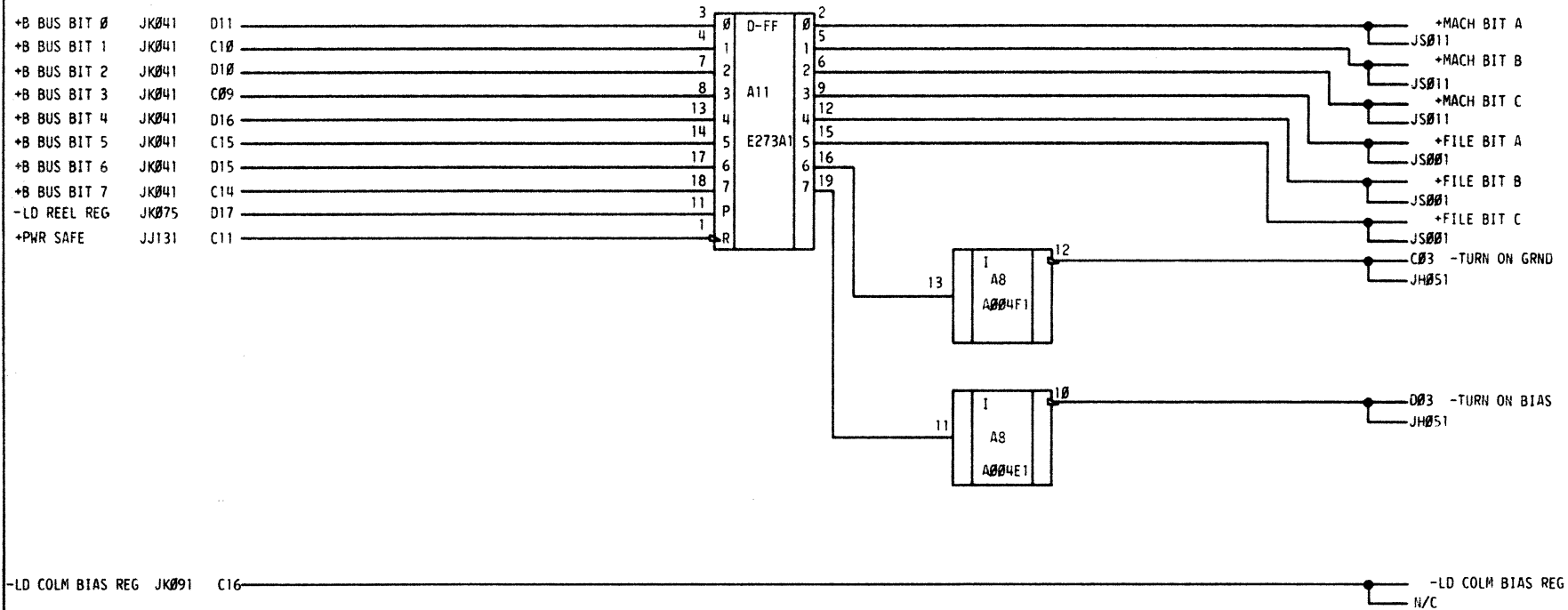
NOTES: UNLESS OTHERWISE SPECIFIED

1. RESISTORS ARE 1/4W, 5% AND VALUES ARE IN OHMS.
2. ALL CAPACITORS ARE IN MICROFARADS.

JS
041

		± 5VR POWER			
PRES. E.C.	44763	MACH. VERS.	CD. LOC.	B2	CD. P.N.
PREV. E.C.	NONE	GBL. ROT.	GATE	1A	CD. TYPE JS
DATE	7-7-82		FRAME		PG. P.N. 4022944-01

JS
041



NOTES: UNLESS OTHERWISE SPECIFIED
 1. RESISTORS ARE 1/4W, 5% AND VALUES ARE IN OHMS.
 2. ALL CAPACITORS ARE IN MICROFARADS.

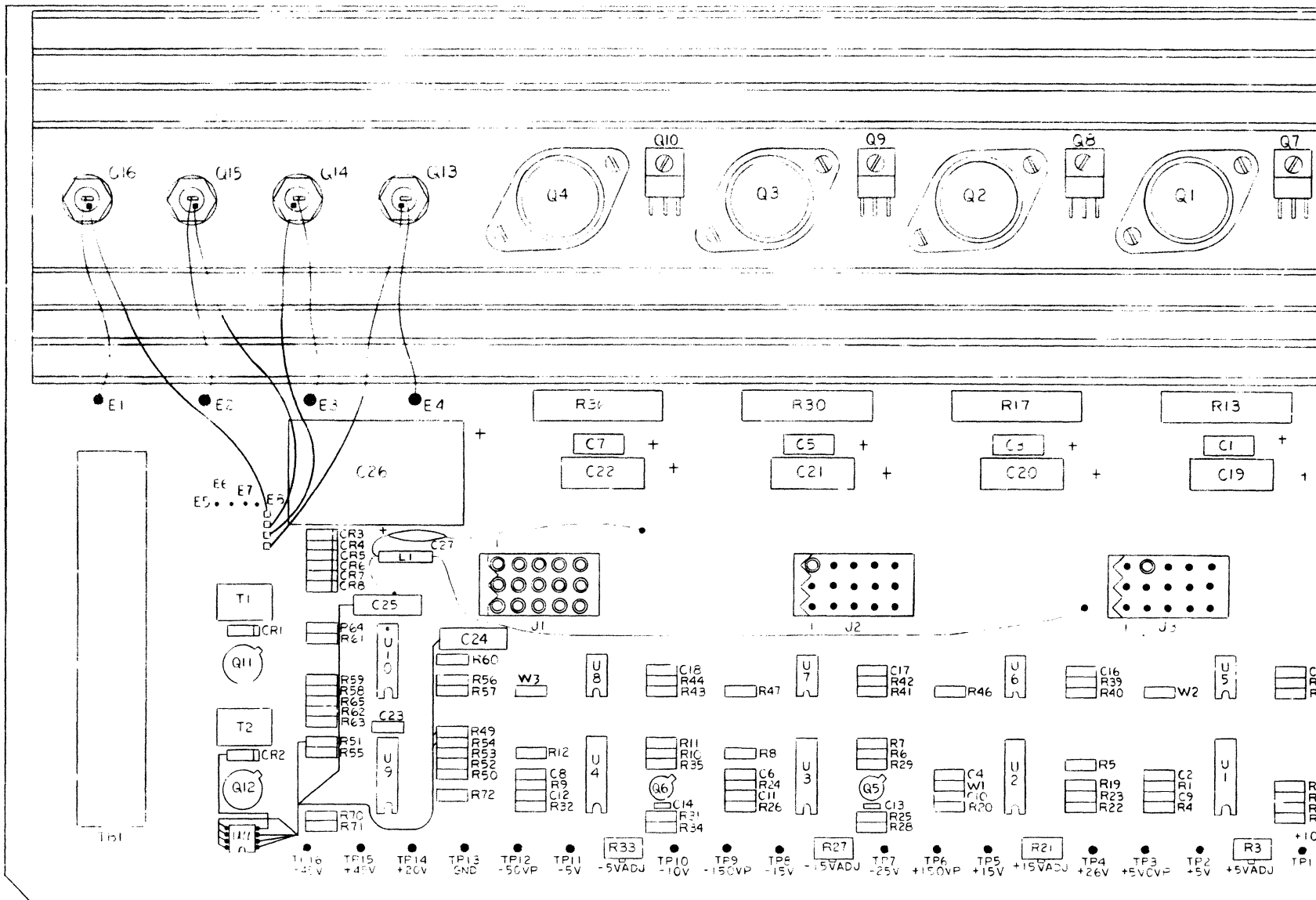
SEQUENCER INTERFACE			
PRES. E.C.	44763	MACH. VERS.	CD. LOC. B2
PREV. E.C.	NONE	GBL. ROT.	GATE 1A
DATE	7-7-82		CD. P.N. JS PG. P.N. 4022945-01

ASSEMBLY PARTS LIST

BOULEVARD

PRINT DATE	PAGE	NO.
12-06-82	1	5873

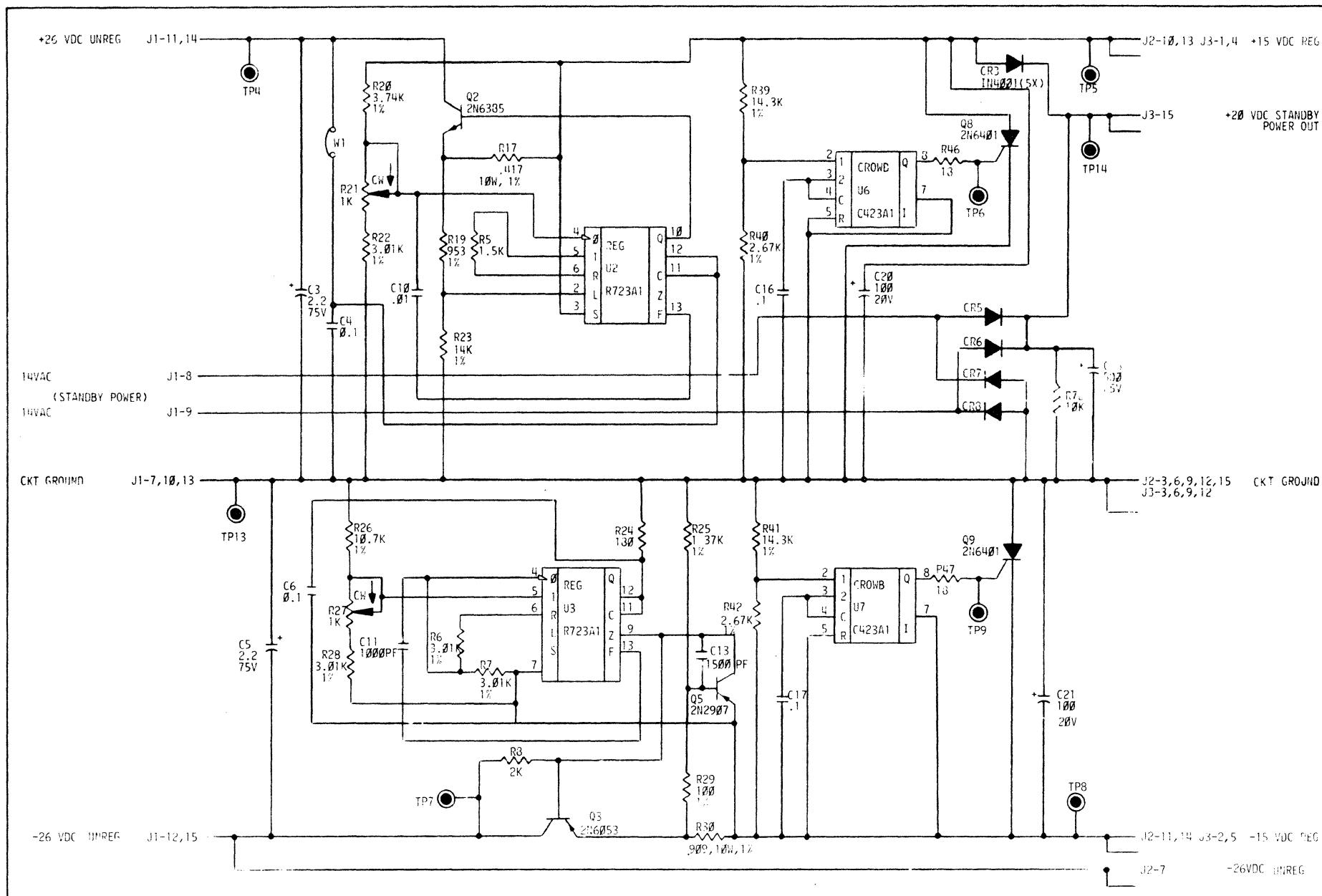
DIV	ASSEMBLY NUMBER	CD	REV.	DWG.	DESCRIPTION	MC	STATUS	STATUS DATE	FILE DATE						
0500	401626203	4	E	N	SYS LGC GP, JV, 43112310, PC	N	REL	12-01-82	1950 12-06-82						
T	FIND NO	LI	PART NUMBER	CD	M	QUANTITY	U/M	PART DESCRIPTION	MC	YLD	E.C. NO IN	E.C. NO. OUT	S/N	WK IN	WK OUT
	001	01	401534403	1		REF	PC	SYS LGC, AB001, JV, PC	D						
	002	02	401642803	1		REF	PC	SYS LGC, JV/01, PC	D						
	011	02	401642903	9		REF	PC	SYS LGC, JV011, PC	D						
	021	02	401643003	7		REF	PC	SYS LGC JV021, PC	D						
	500	01	43112310	8		REF	PC	CKT CD, JV, PC ASSEMBLY, FUD	S						
								0005 TOTAL LINES							



A
E
C
O
I

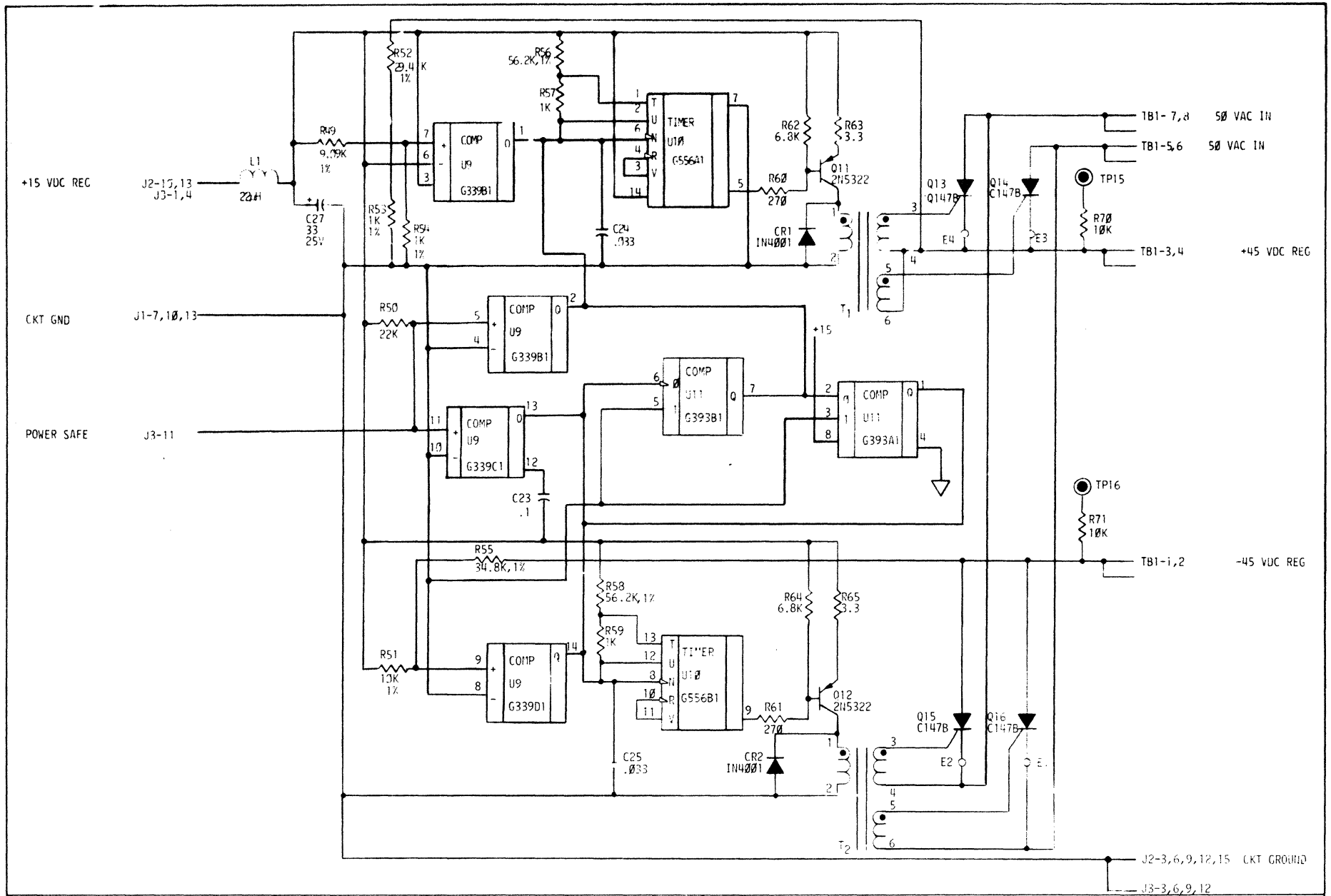
PRES. E.C. 54721 PREV. E.C. 44553 DATE 8 24 60	MACH. 1950 VERS. GBL. ROT.	CD. LOC. GATE FRAME	CD. P.N. 43112310-8 CD. TYPE 17 PG. P.N. 4015344-03
--	----------------------------------	---------------------------	---

A
E
C
O
I



NOTES: UNLESS OTHERWISE SPECIFIED
 1. RESISTORS ARE 1/4W, 5% AND VALUES ARE IN OHMS.
 2. CAPACITORS ARE IN MICROFARADS.

		+15V SUPPLIES			
PRES. E.C.	44873	MACH. VERS.	1950	CD. LOC.	
PREV. E.C.	44795	GBL. ROT.		CD. P.N.	
DATE	12-6-82			CD. TYPE	
				PG. PN.	4016428-03



NOTES: UNLESS OTHERWISE SPECIFIED
 1. RESISTORS ARE 1/4W, 5% AND VALUES ARE IN OHMS.
 2. CAPACITORS ARE IN MICROFARADS.

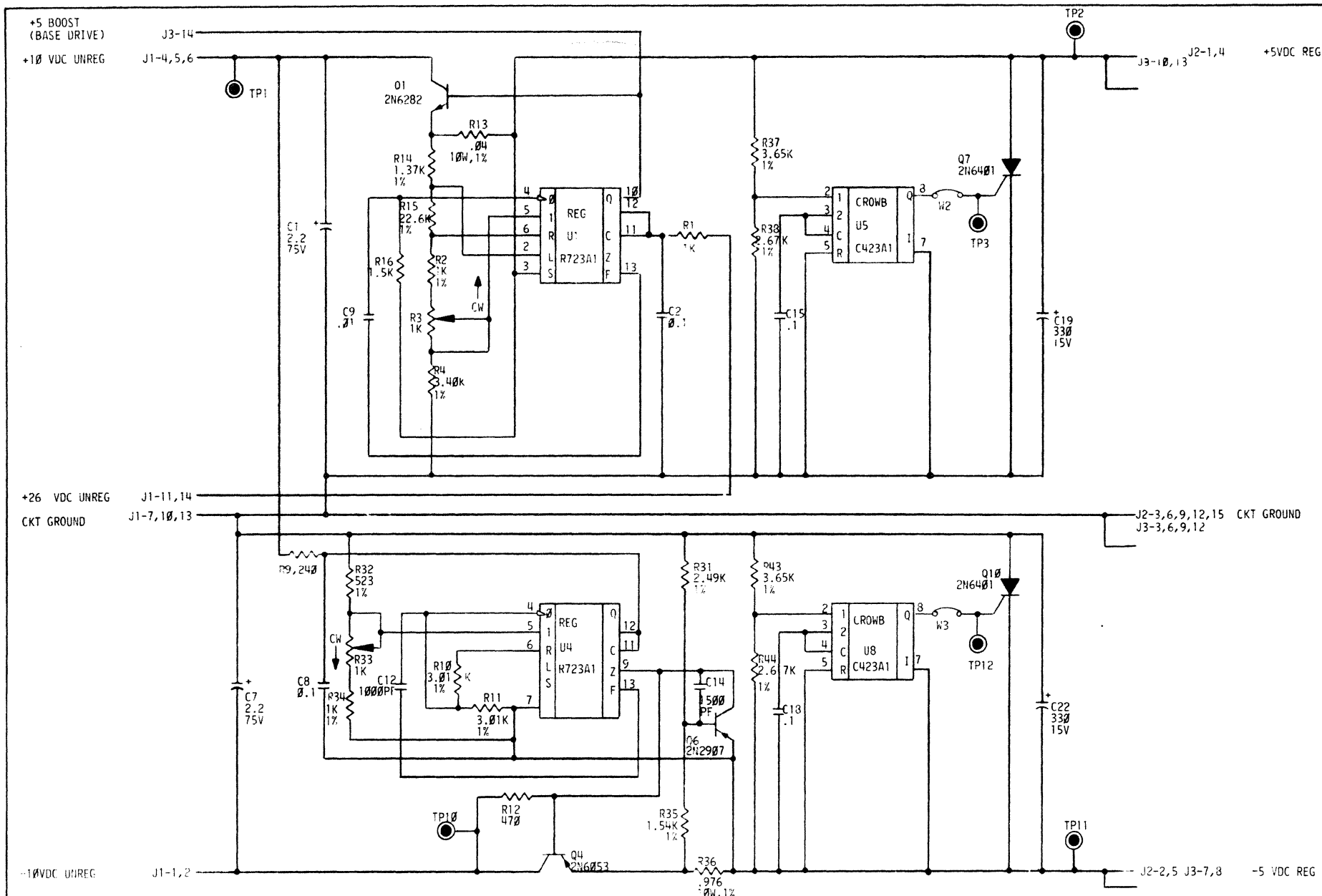
±45V SUPPLIES

PRES. E.C. 444873
 PREV. E.C. 44755
 DATE 12-6-82

MACH. 1950
 VERS.
 GBL. ROT.

CD. LOC.
 GATE
 FRAME

CD. P.N.
 CD. TYPE IV
 PG. P.N. 4016429-03



NOTES: UNLESS OTHERWISE SPECIFIED
 1. RESISTORS ARE 1/4W, 5% AND VALUES ARE IN OHMS.
 2. CAPACITORS ARE IN MICROFARADS.

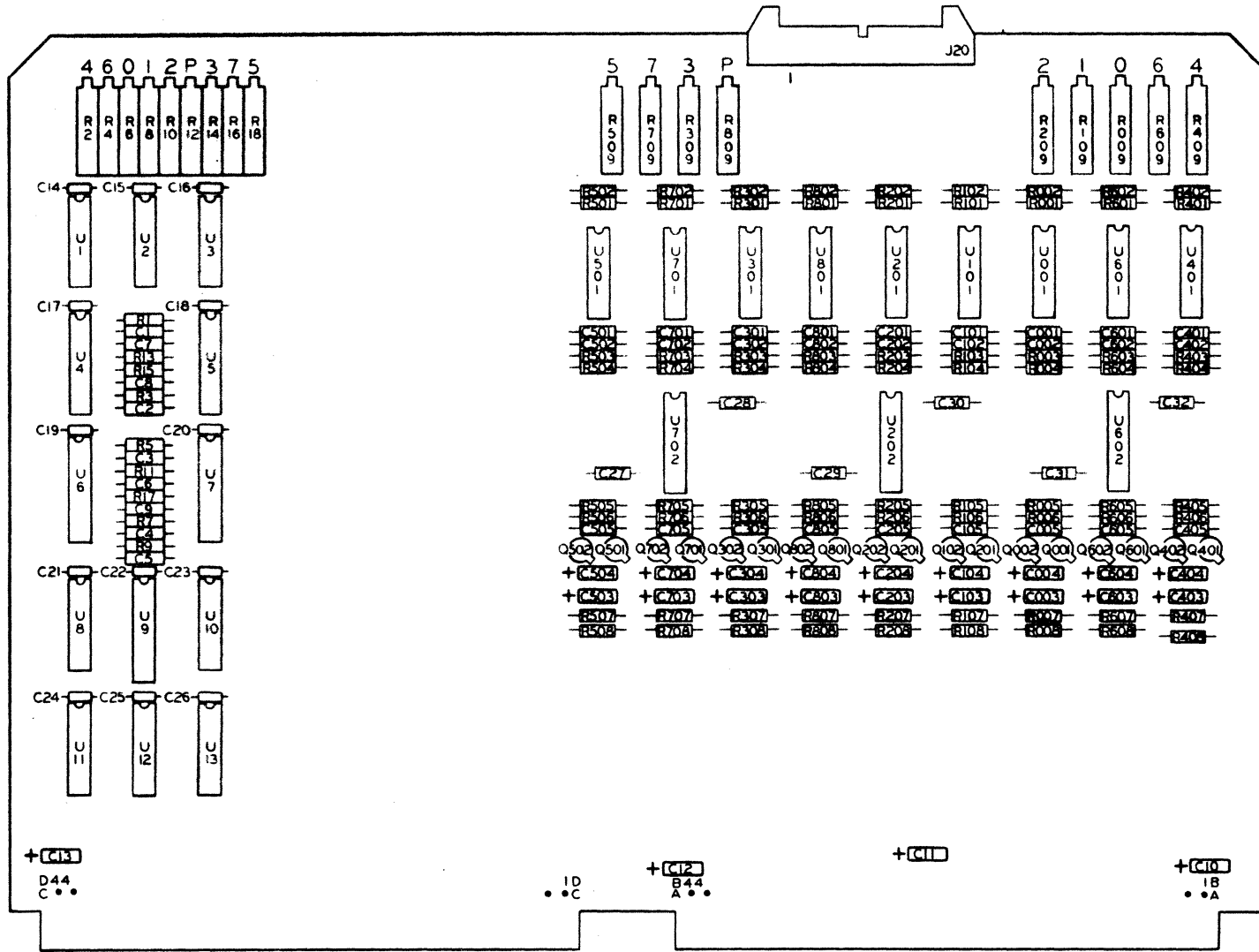
		±5V SUPPLIES		
PRE. E.C.	44873	MACH.	1950	CD. LOC.
PREV. E.C.	44795	VERS.		GATE
DATE	12-6-82	GBL. ROT.		FRAME
				CD. P.N.
				CD. TYPE
				PG. P.N. 4016430-03

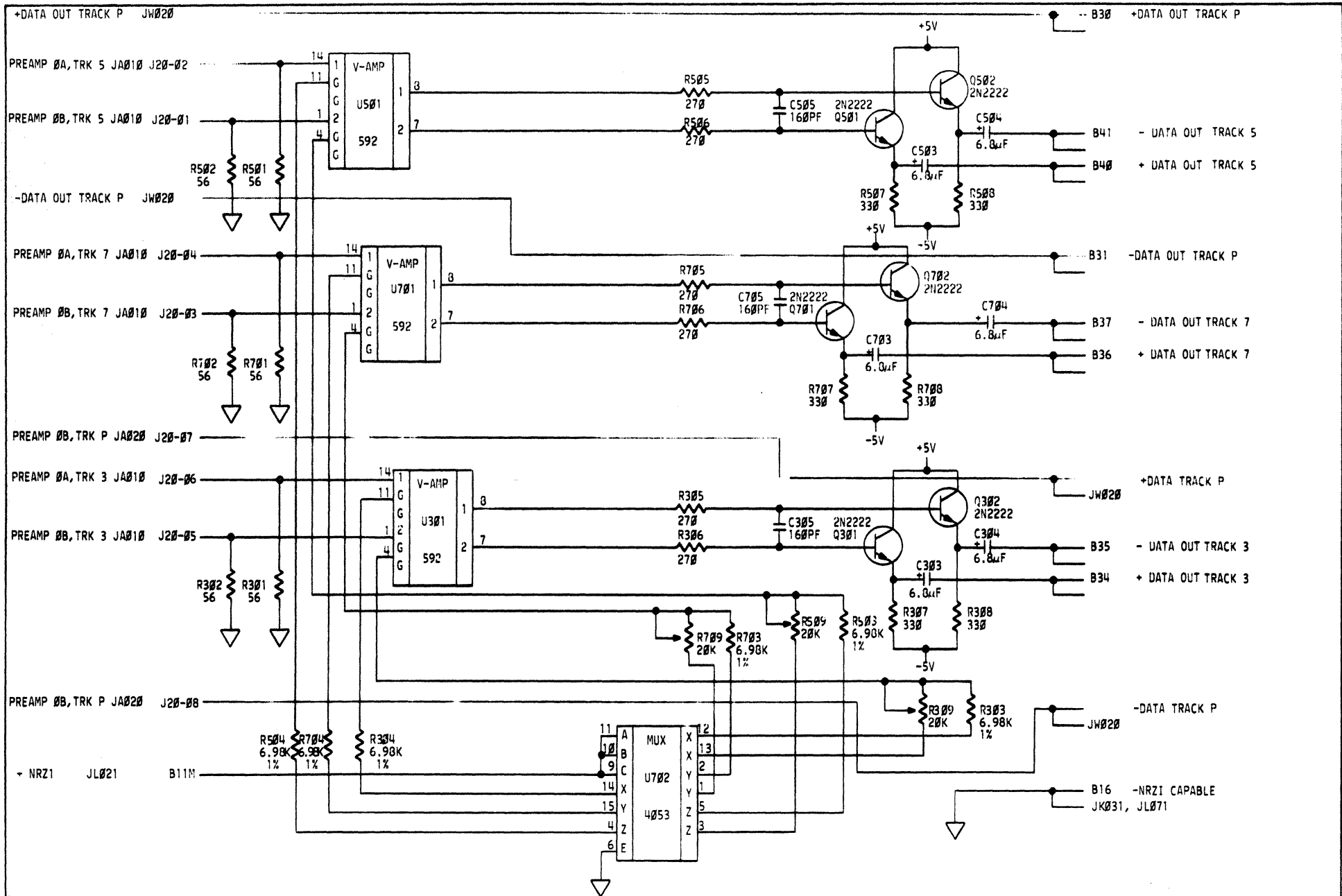
ASSEMBLY PARTS LIST

DATE: ARC DATE

PRINT DATE	PAGE	S. NO.
10-20-82	1	110

DIV		ASSEMBLY NUMBER		CD	REV.	DWG.	DESCRIPTION			MC	STATUS	STATUS DATE		FILE DATE		
0500		43500076		5	D	N	SYS LGC,GP,JW,4311203,PC			N	REL	07-30-82		1950 07-26-82		
T FIND NO	LI	PART NUMBER	CD	M	QUANTITY	U/M	PART DESCRIPTION			MC	YLD	EC. NO IN	EC. NO. OUT	S/N	WK IN	WK OUT
000	01	43515015	6		REF	PC	CD LGC,AB916,JW,PC			D						
010	01	43515016	4		REF	PC	SYS LGC,JW010,PC			D			44609			8143
010	02	401643401	3		REF	PC	SYS LGC,JW010,PC			D		44609	44795		8143	8231
010	03	401643402	1		REF	PC	SYS LGC,JW010,PC			D		44795	44810		8231	8236
010	04	401643403	9		REF	PC	SYS LGC,JW010,PC			D		44810			8236	
020	01	43515017	2		REF	PC	SYS LGC,JW020,PC			D			44609			8143
020	02	401643501	0		REF	PC	SYS LGC,JW020,PC			D		44609	44795		8143	8231
020	03	401643502	8		REF	PC	SYS LGC,JW020,PC			D		44795	44810		8231	8236
020	04	401643503	6		REF	PC	SYS LGC,JW020,PC			D		44810			8236	
030	01	43515018	0		REF	PC	SYS LGC,JW030,PC			D			44609			8143
030	02	401643601	8		REF	PC	SYS LGC,JW030,PC			D		44609	44795		8143	8231
030	03	401643602	6		REF	PC	SYS LGC,JW030,PC			D		44795	44810		8231	8236
030	04	401643603	4		REF	PC	SYS LGC,JW030,PC			D		44810			8236	
040	01	43515019	8		REF	PC	SYS LGC,JW040,PC			D			44609			8143
040	02	401643701	6		REF	PC	SYS LGC,JW040,PC			D		44609	44795		8143	8231
040	03	401643702	4		REF	PC	SYS LGC,JW040,PC			D		44795			8231	
050	01	43515020	6		REF	PC	SYS LGC,JW050,PC			D			44609			8143
050	02	401643801	4		REF	PC	SYS LGC,JW050,PC			D		44609	44795		8143	8231
050	03	401643802	2		REF	PC	SYS LGC,JW050,PC			D		44795			8231	
060	01	43515021	4		REF	PC	SYS LGC,JW060,PC			D			44609			8143
060	02	401643901	2		REF	PC	SYS LGC,JW060,PC			D		44609	44795		8143	8231
060	03	401643902	0		REF	PC	SYS LGC,JW060,PC			D		44795			8231	
500	01	43111203	6		REF	PC	CKT CD,JW,PC ASSY			S						
							0023 TOTAL LINES									





NOTES: UNLESS OTHERWISE SPECIFIED
 1. RESISTORS ARE 1/4W, 5% AND VALUES ARE IN OHMS.
 2. CAPACITORS ARE IN MICROFARADS.

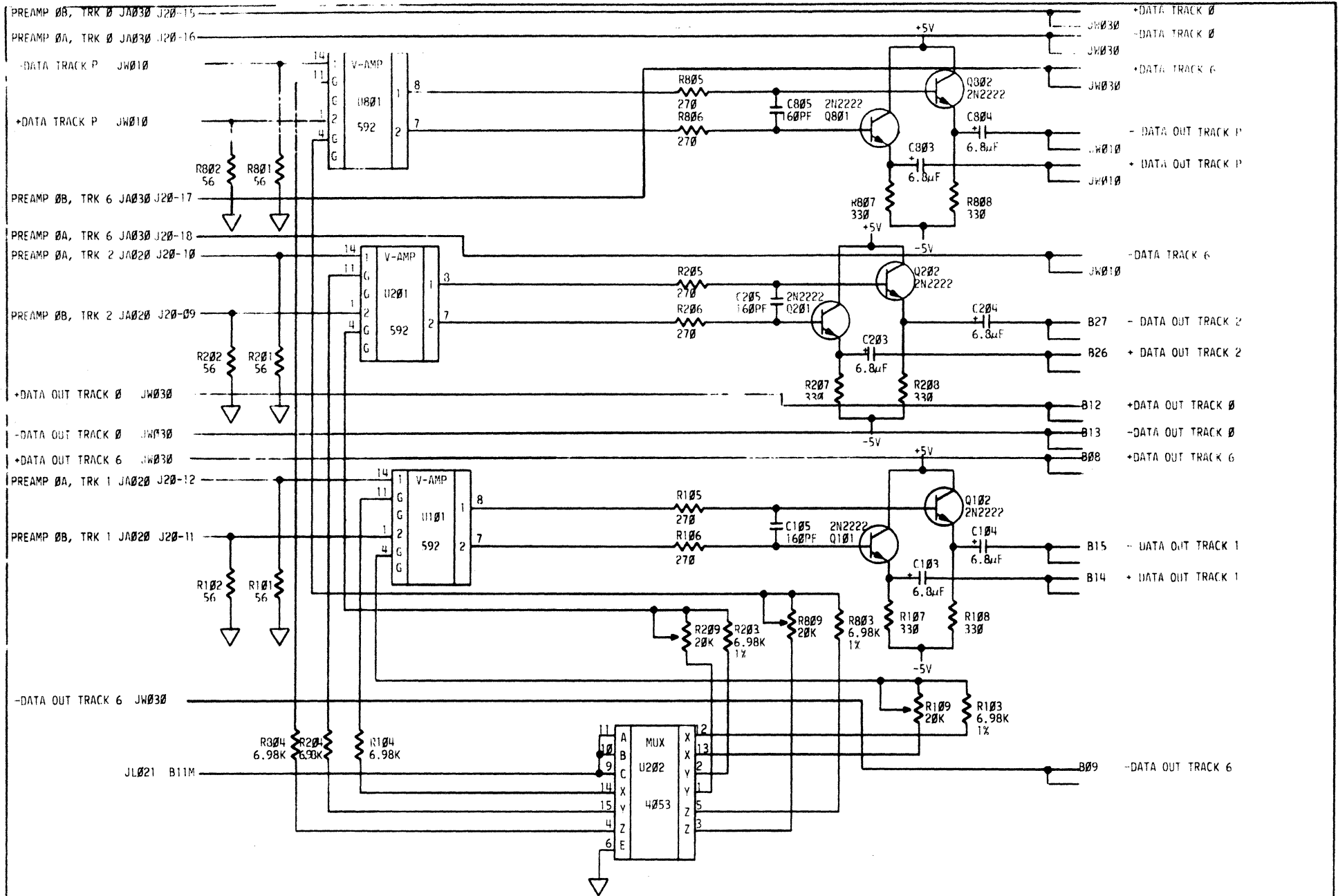
JW CARD POST-AMP TRACKS 5, 7 & 3

PRES. E.C. 44810
 PREV. E.C. 44795
 DATE 8-4-82

MACH. 1950
 VERS. 1950
 GBL. ROT.

CD. LOC. H2
 GATE A2
 FRAME

CD. P.N. JW
 CD. TYPE JW
 PG. PN. 4016434-03



NOTES: UNLESS OTHERWISE SPECIFIED
 1. RESISTORS ARE 1/4W, 5% AND VALUES ARE IN OHMS.
 2. CAPACITORS ARE IN MICROFARADS.

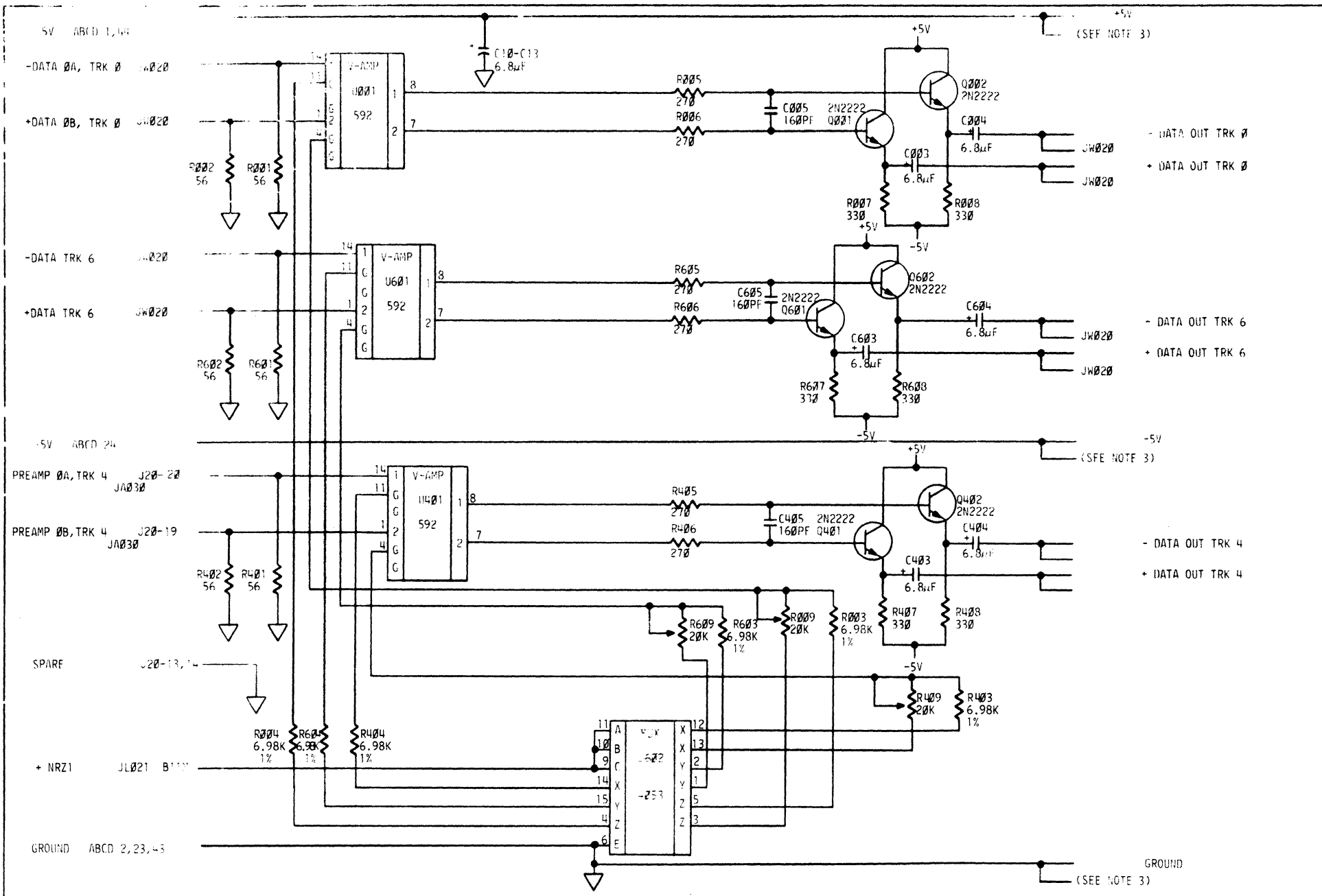
JW CARD POST-AMP TRACKS P, 2 & 1

PRES. E.C. 44810
 PREV. E.C. 44795
 DATE 8-4-82

MACH. 1950
 VERS. 1950
 OBL. ROT.

CD. LOC. H2
 GATE A2
 FRAME

CD. PN. JW
 CD. TYPE
 PG. PN. 4016435-03



NOTES: UNLESS OTHERWISE SPECIFIED

1. RESISTORS ARE 1/4-W, 5% AND VALUES ARE IN OHMS.
2. CAPACITORS ARE IN MICROFARADS.
3. THESE LINES ARE CONNECTED TO INTERNAL POWER AND GROUND PLANES

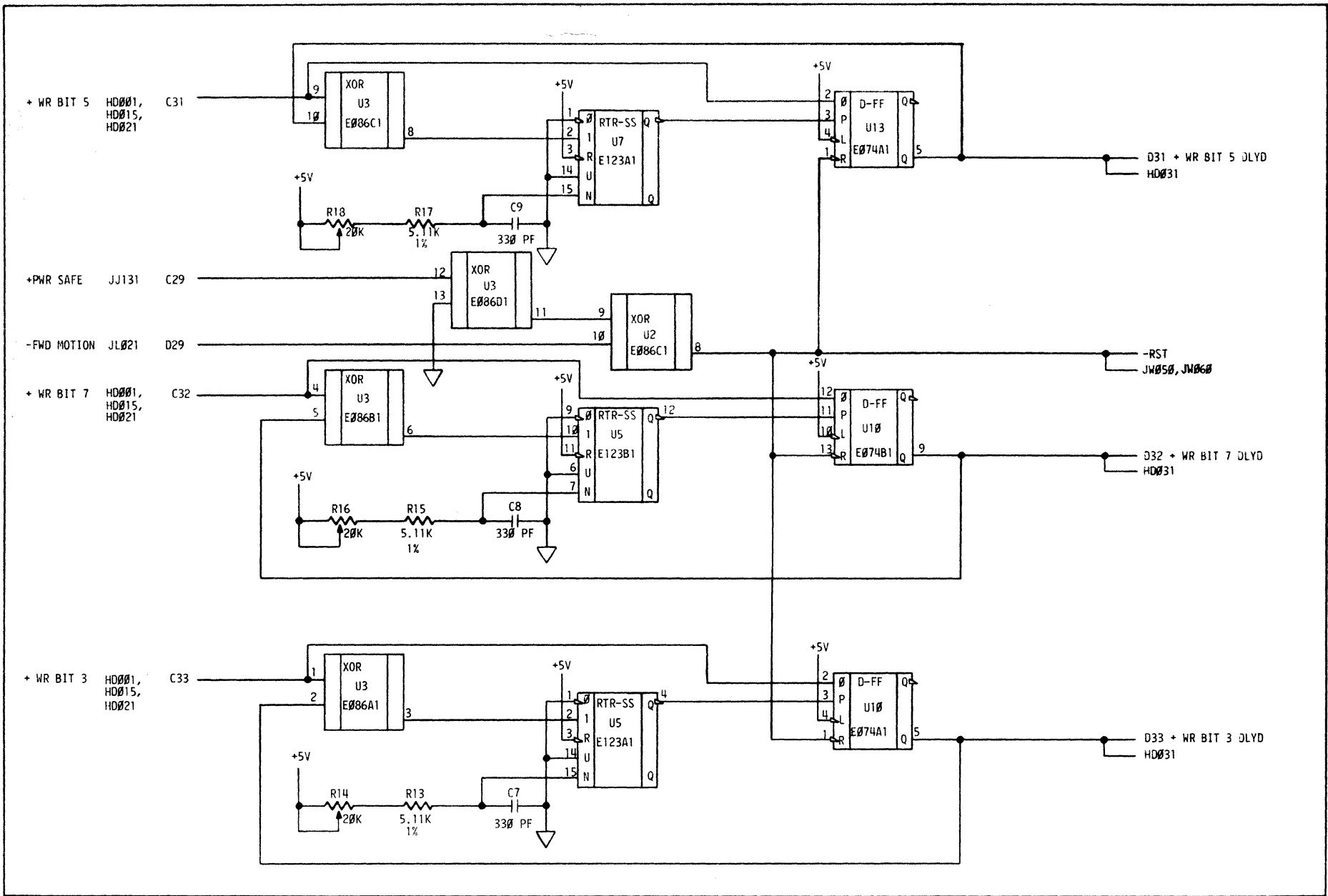
JW CARD POST-AMP TRACKS 0, 6 & 4

PREV. E.C. 44810
 PREV. E.C. 44795
 DATE 8-4-82

MACH. 1950
 VERS. GBL. ROT.

CD. LOC. 12
 GATE 12
 FRAME

CD. P.N. JW
 CD. TYPE
 PG. P.N. 4016436-03



NOTES: UNLESS OTHERWISE SPECIFIED
 1. ALL RESISTORS ARE 1/4W, 5% AND VALUES ARE IN OHMS.
 2. CAPACITORS ARE IN MICROFARADS.

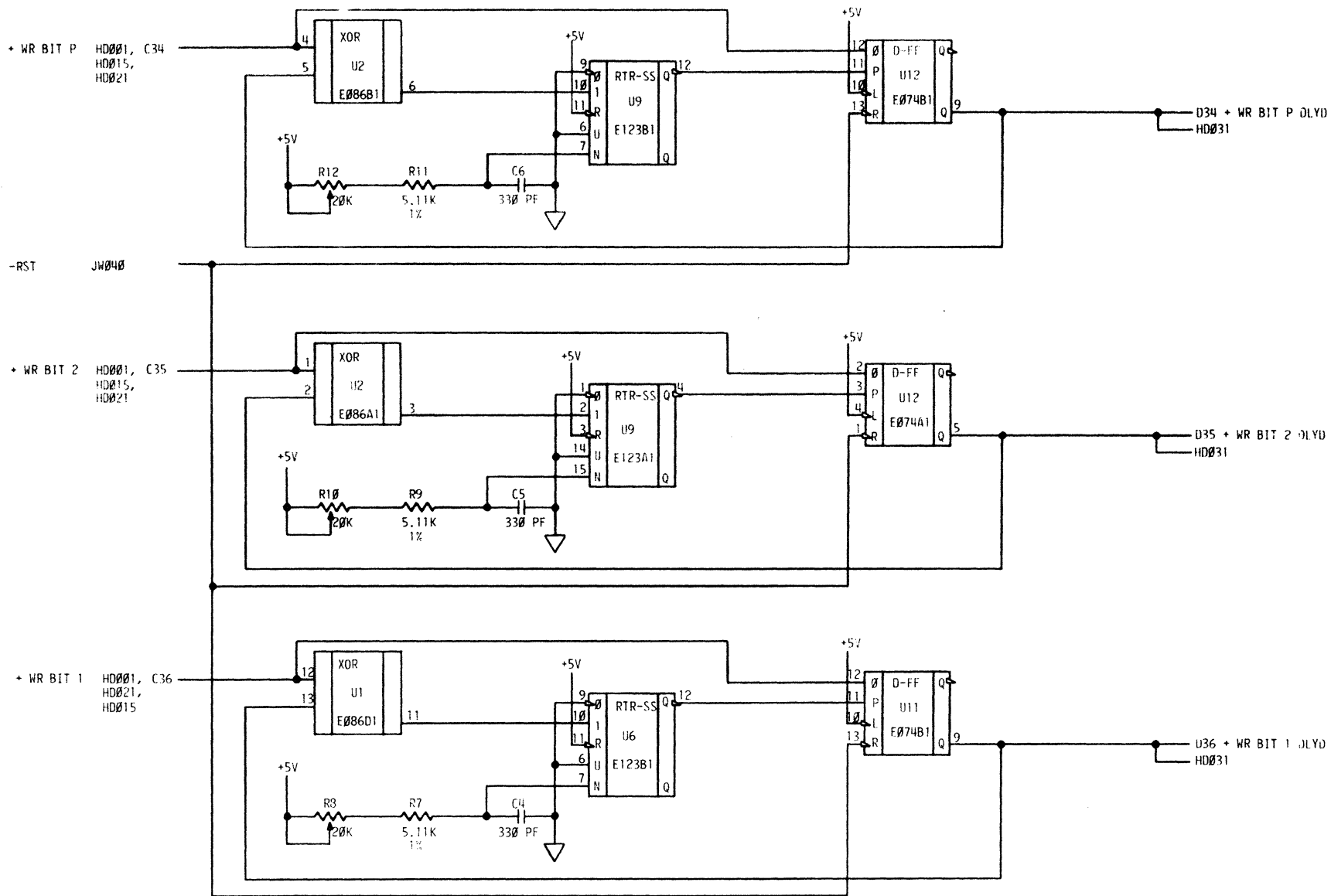
HRZ1 DESKEW TRKS 5, 7, & 3

PRES. E.C. 44795
 PREV. E.C. 44609
 DATE 7-12-82

MACH. 1950
 VERS.
 GBL. ROT.

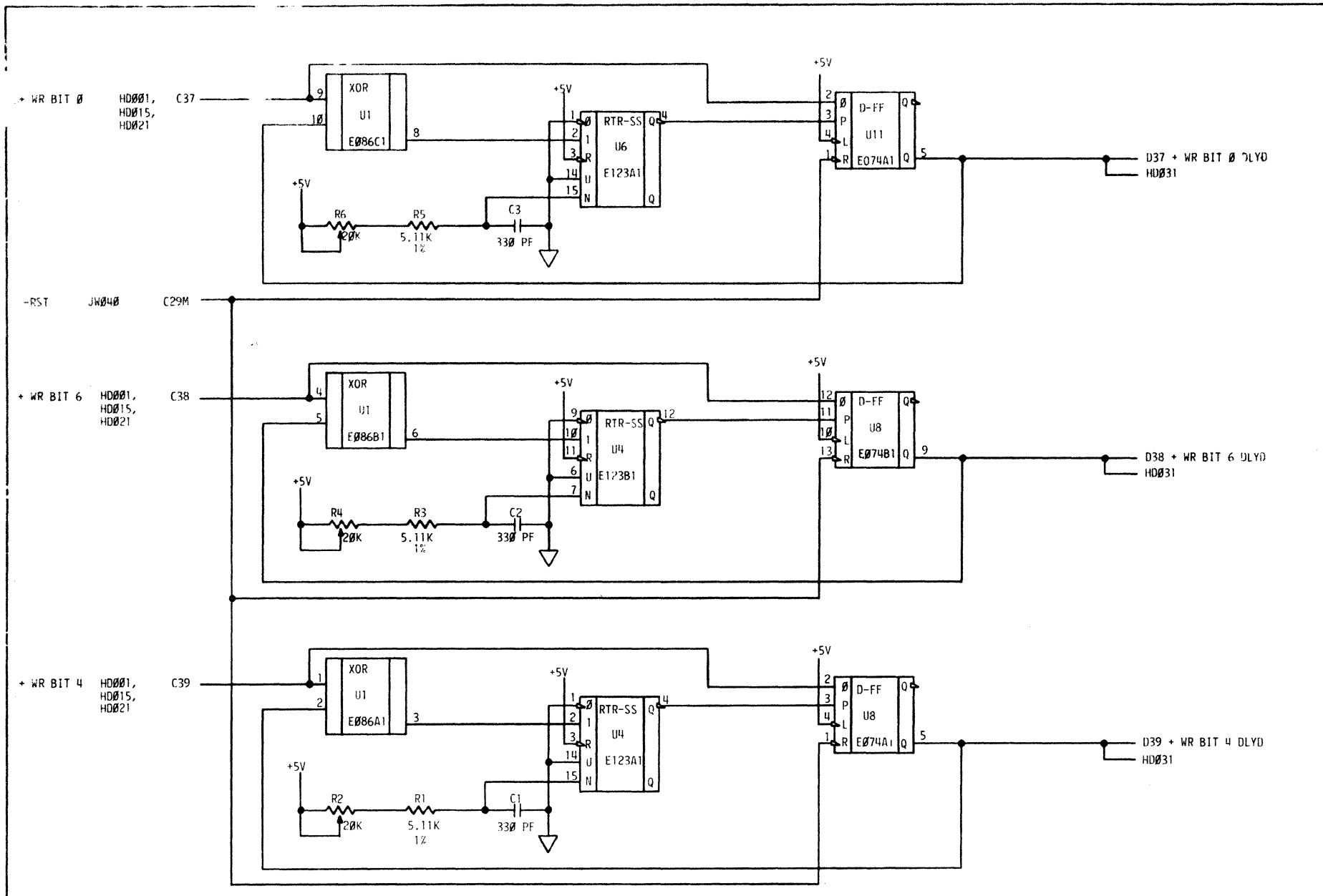
CD. LOC. H2
 GATE A2
 FRAME

CD. PN.
 CD. TYPE JW
 PG. PN. 4016437-02



NOTES: UNLESS OTHERWISE SPECIFIED
 1. RESISTORS ARE 1/4W, 5% AND VALUES ARE IN OHMS.
 2. CAPACITORS ARE IN MICROFARADS.

NRZ1 DESKEW TRKS P, 2 & 1		CD. LOC. U2	CD. P.N. .JW	J W S S
PRES. E.C. 44795	MACH. 1950	GATE	CD. TYPE .JW	
PREV. E.C. 44609	VERS.	FRAME	PG. P.N. 4016438-02	
DATE 7-12-82	GBL. ROT.			



NOTES: UNLESS OTHERWISE SPECIFIED

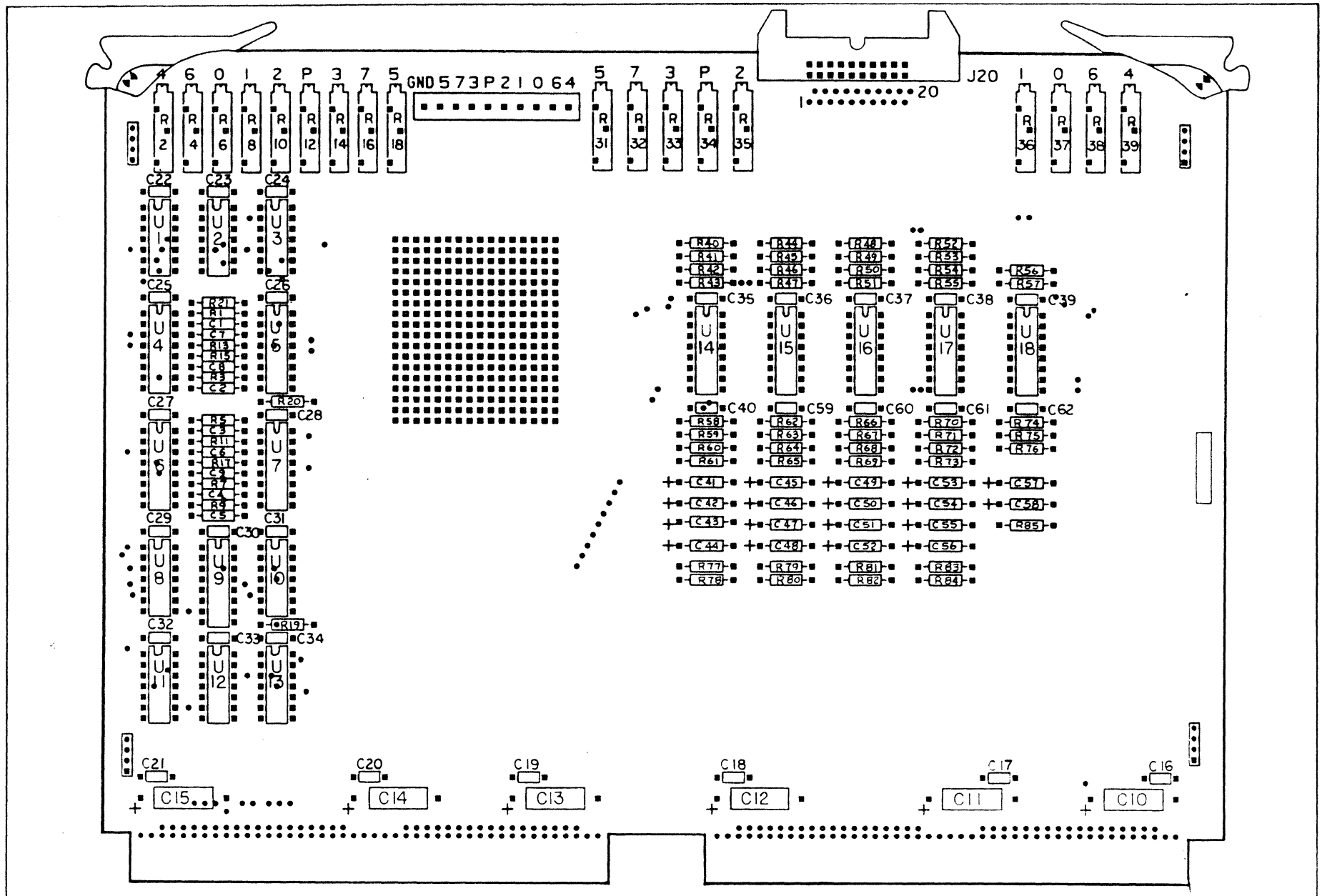
1. RESISTORS ARE 1/4W, 5% AND VALUES ARE IN OHMS.
2. CAPACITORS ARE IN MICROFARADS.

NRZ1 DESKEW TRKS 0,6 & 4			
PRES. E.C. DATE	44795 44609 7-12-82	MACH. VERS. GBL. ROT.	1950
CD. LOC. GATE FRAME	H2 A2	CD. P.N. CD. TYPE PG. P.N.	JW 4016439-02

ASSEMBLY PARTS LIST

PRINT DATE	PAGE	E.C.
10-20-82	1	110

DIV	ASSEMBLY NUMBER	CD	REV.	DWG.	DESCRIPTION	MC	STATUS	STATUS DATE	FILE DATE					
0500	401670901	8	C	N	SYS LGC GP, JW2, 401649201, PC	N	REL	07-30-82	1950 08-10-82					
T FIND NO	LI	PART NUMBER	CD	M	QUANTITY	U/M	PART DESCRIPTION	MC	YLD	E.C. NO IN	E.C. NO OUT	S/N	WK IN	WK OUT
001	01	401670801	0		REF	PC	CD LGC, AB001, JW, PC	D						
010	01	401671001	6		REF	PC	SYS LGC, JW010, PC	D		44795	44795		8231	8231
010	02	401671002	4		REF	PC	SYS LGC, JW010, PC	D		44795	44810		8231	8236
010	03	401671003	2		REF	PC	SYS LGC, JW010, PC	D		44810			8236	
020	01	401671101	4		REF	PC	SYS LGC, JW020, PC	D		44795	44795		8231	8231
020	02	401671102	2		REF	PC	SYS LGC, JW020, PC	D		44795	44810		8231	8236
020	03	401671103	0		REF	PC	SYS LGC, JW020, PC	D		44810			8236	
030	01	401671201	2		REF	PC	SYS LGC, JW030, PC	D		44795	44795		8231	8231
030	02	401671202	0		REF	PC	SYS LGC, JW030, PC	D		44795	44810		8231	8236
030	03	401671203	8		REF	PC	SYS LGC, JW030, PC	D		44810			8236	
040	01	401671301	0		REF	PC	SYS LGC, JW040, PC	D		44795	44795		8231	8231
040	02	401671302	8		REF	PC	SYS LGC, JW040, PC	D		44795			8231	
050	01	401671401	8		REF	PC	SYS LGC, JW050, PC	D		44795	44795		8231	8231
050	02	401671402	6		REF	PC	SYS LGC, JW050, PC	D		44795			8231	
060	01	401671501	5		REF	PC	SYS LGC, JW060, PC	D		44795	44795		8231	8231
060	02	401671502	3		REF	PC	SYS LGC, JW060, PC	D		44795			8231	
500	01	401649201	1		REF	PC	CKT CD, JW2, PC, ASSY	S						
0017 TOTAL LINES														



A 00001

572 JW2CARD, NRZI

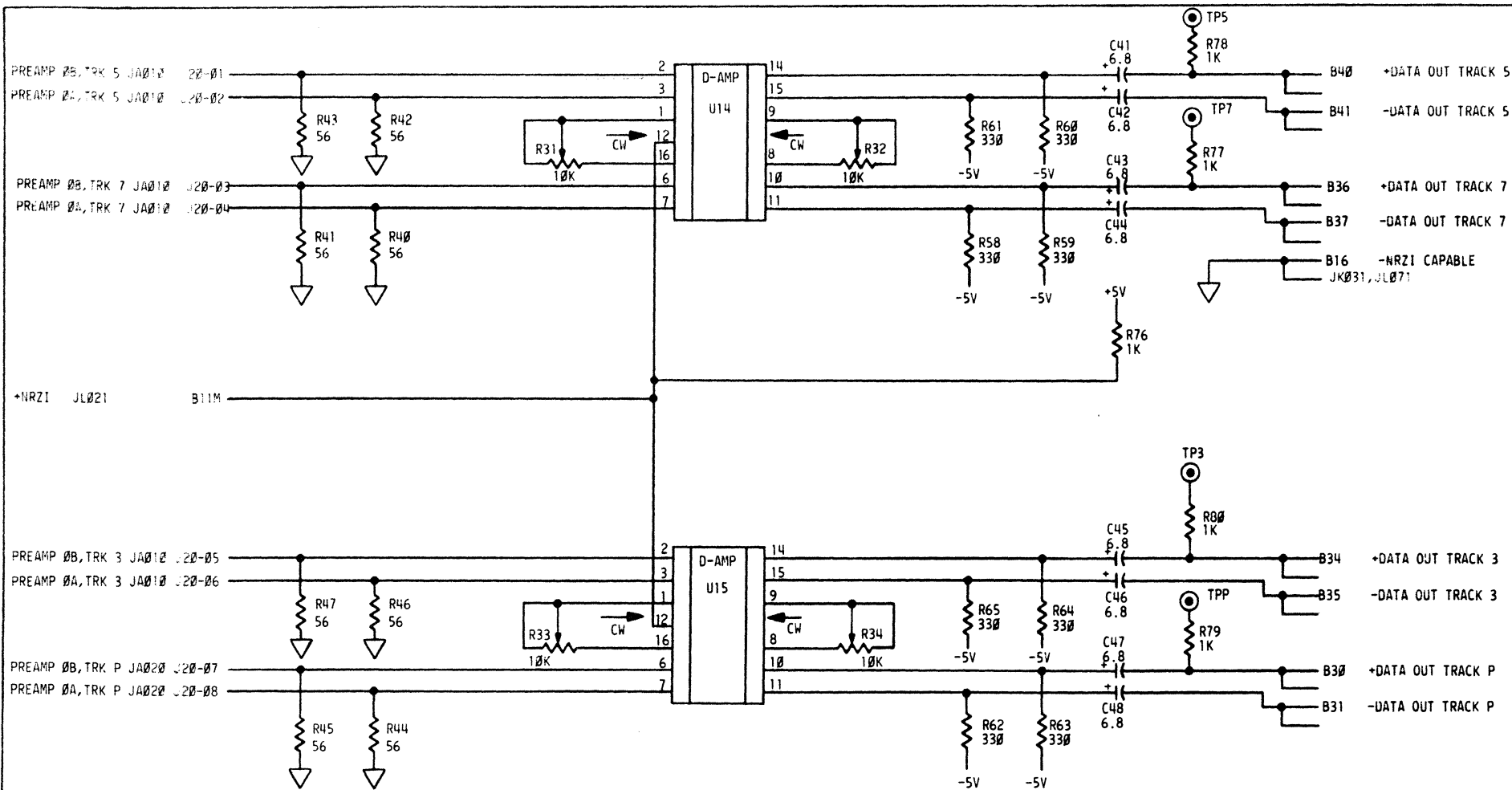
PRE. E.C. 44622
 PREV. E.C. NONE
 DATE 72-2-31

MACH. VERS.
 GBL. ROT.

CD. LOC. H2
 GATE A2
 FRAME

CD. P.N. 401642901-1
 CD. TYPE JW
 PG. P.N. 4016708-01

A 00001



NOTES: UNLESS OTHERWISE SPECIFIED

1. RESISTORS ARE 1/4W, 5% AND VALUES ARE IN OHMS.
2. CAPACITORS ARE IN MICROFARADS.

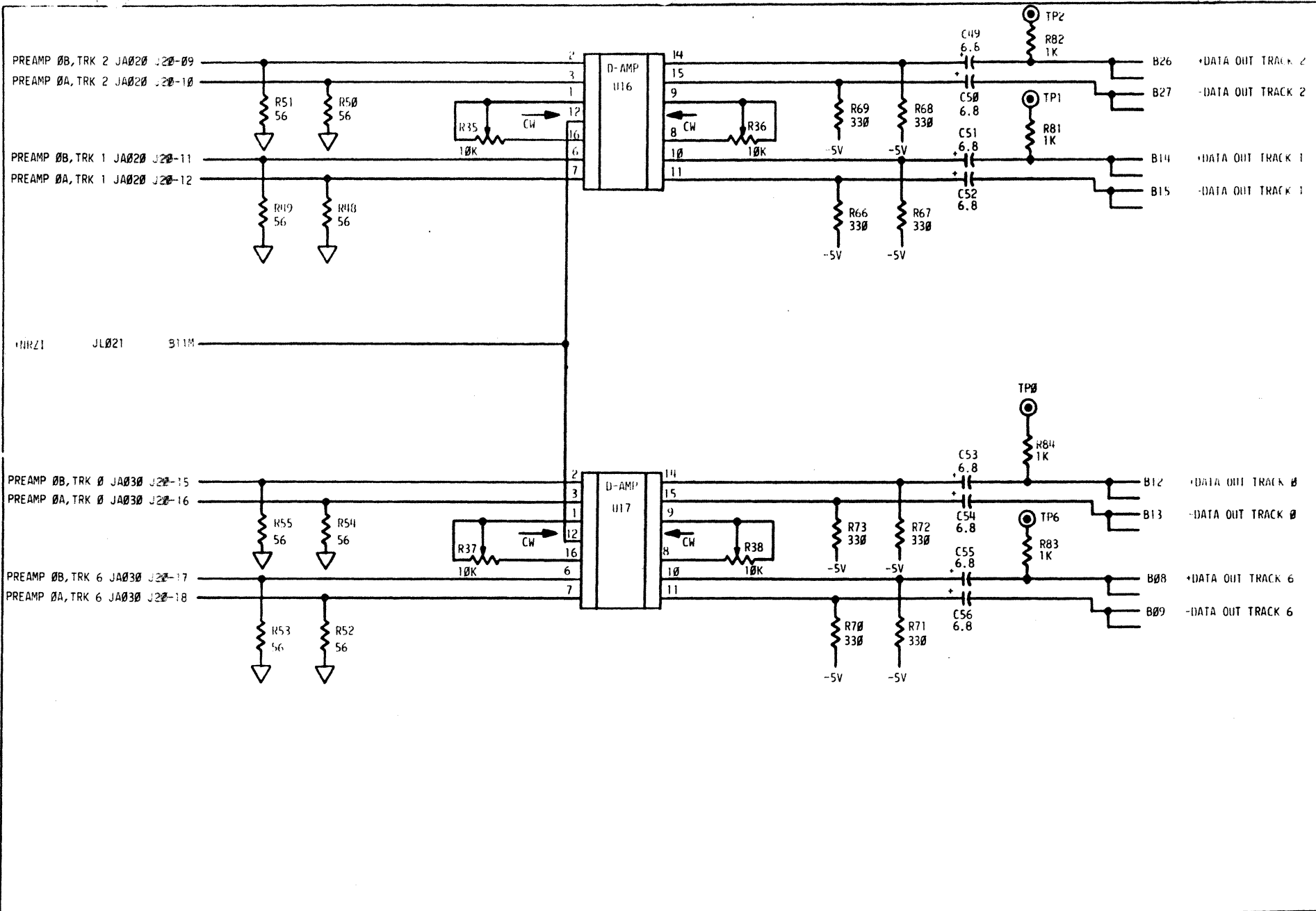
BI GAIN AMPS, TRACKS 5, 7, 3 & P

PRE. E.C. 44810
 PREV. E.C. 44795
 DATE 8-4-82

MACH. 1750
 VERS. 1750
 GBL. ROT.

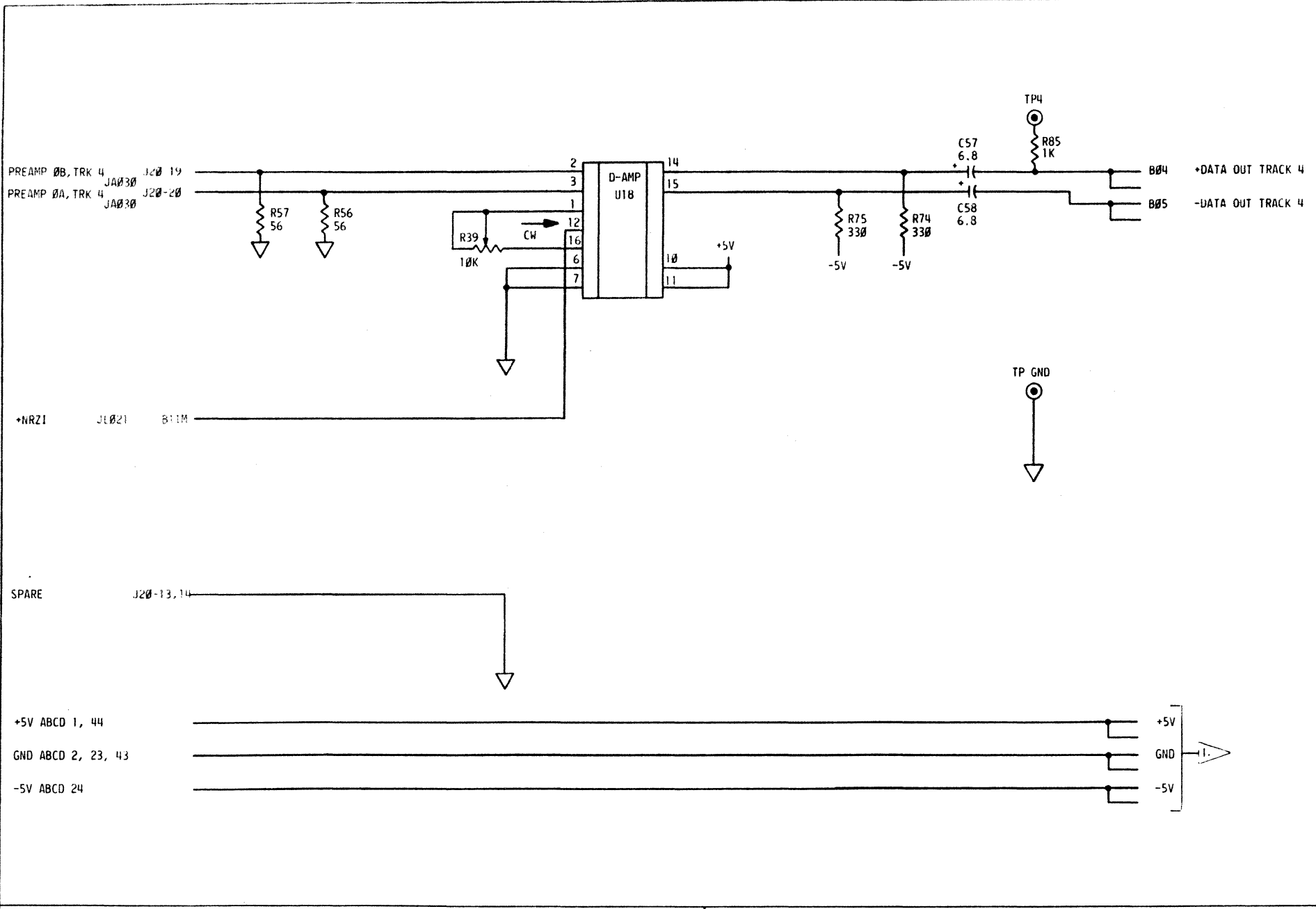
CD. LOC. H2
 GATE A2
 FRAME

CD. P.N. JW2
 CD. TYPE JW2
 PG. P.N. 4016710-03



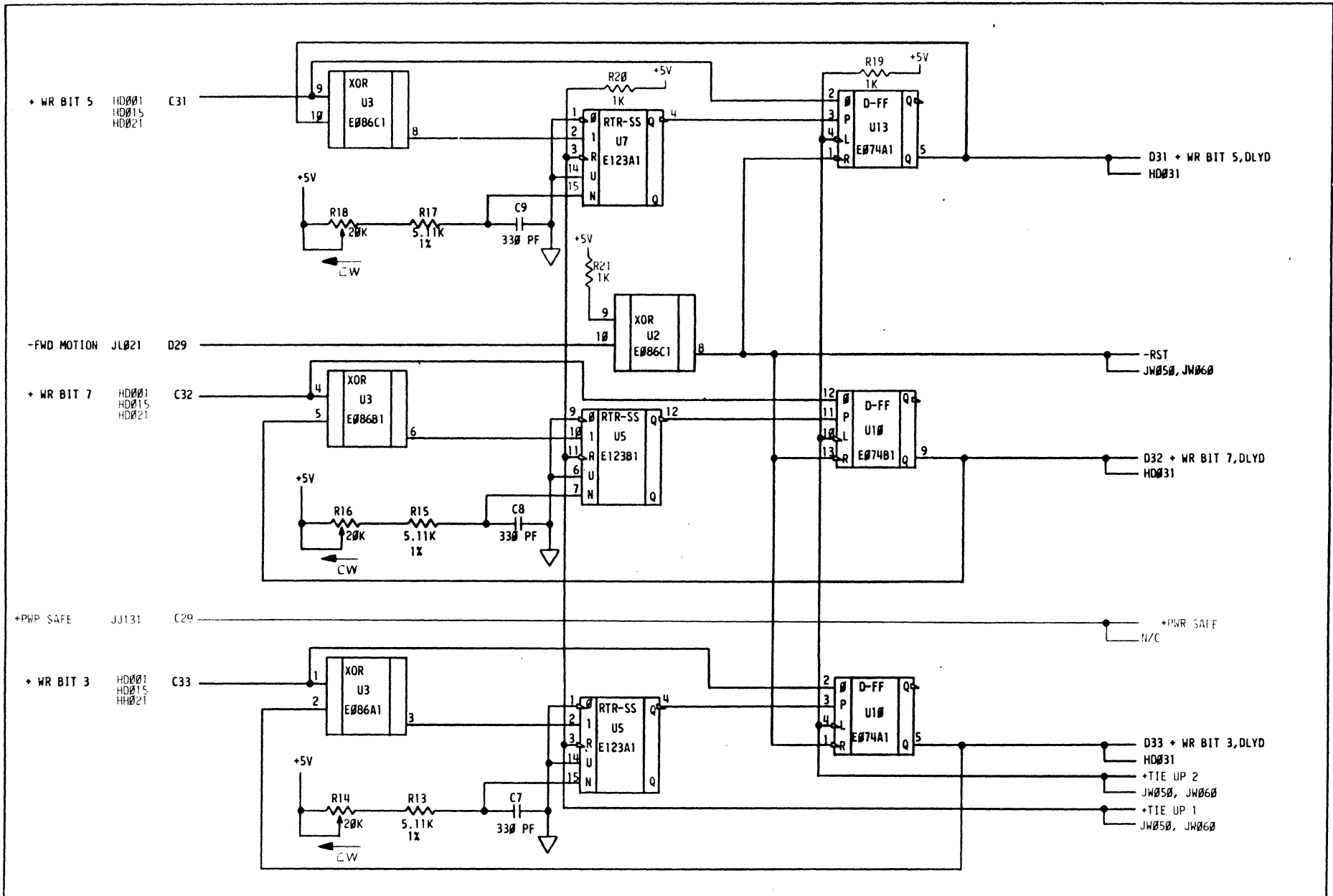
NOTES: UNLESS OTHERWISE SPECIFIED
 1. RESISTORS ARE 1/4W, 5% AND VALUES ARE IN OHMS.
 2. CAPACITORS ARE IN MICROFARADS.

		BI GAIN AMPS, TRACKS 2, 1, 0 & 6			
PREV E.C.	44810	MACH. VERS.	1052	CD. LOC. GATE FRAME	2
DATE	44795 8-4-82	GBL. ROT.		CD. R.N. CD. TYPE JN2 PG. RN. 4016711-03	2



1. THESE DENOTE +5V, GROUND, AND -5V RESPECTIVELY, AND CONNECT TO INTERNAL POWER AND GROUND PLANES.
2. RESISTORS ARE 1/4W, 5% AND VALUES ARE IN OHMS.
3. CAPACITORS ARE IN MICROFARADS.

		BI GAIN AMPS, TRACK 4			
PREV. E.C.	44810	MACH.	1950	CD. LOC.	112
DATE	44795	VERS.		GATE	A2
	8-4-82	GBL. ROT.		FRAME	
				CD. RN.	JW2
				PG. RN.	4016712-03

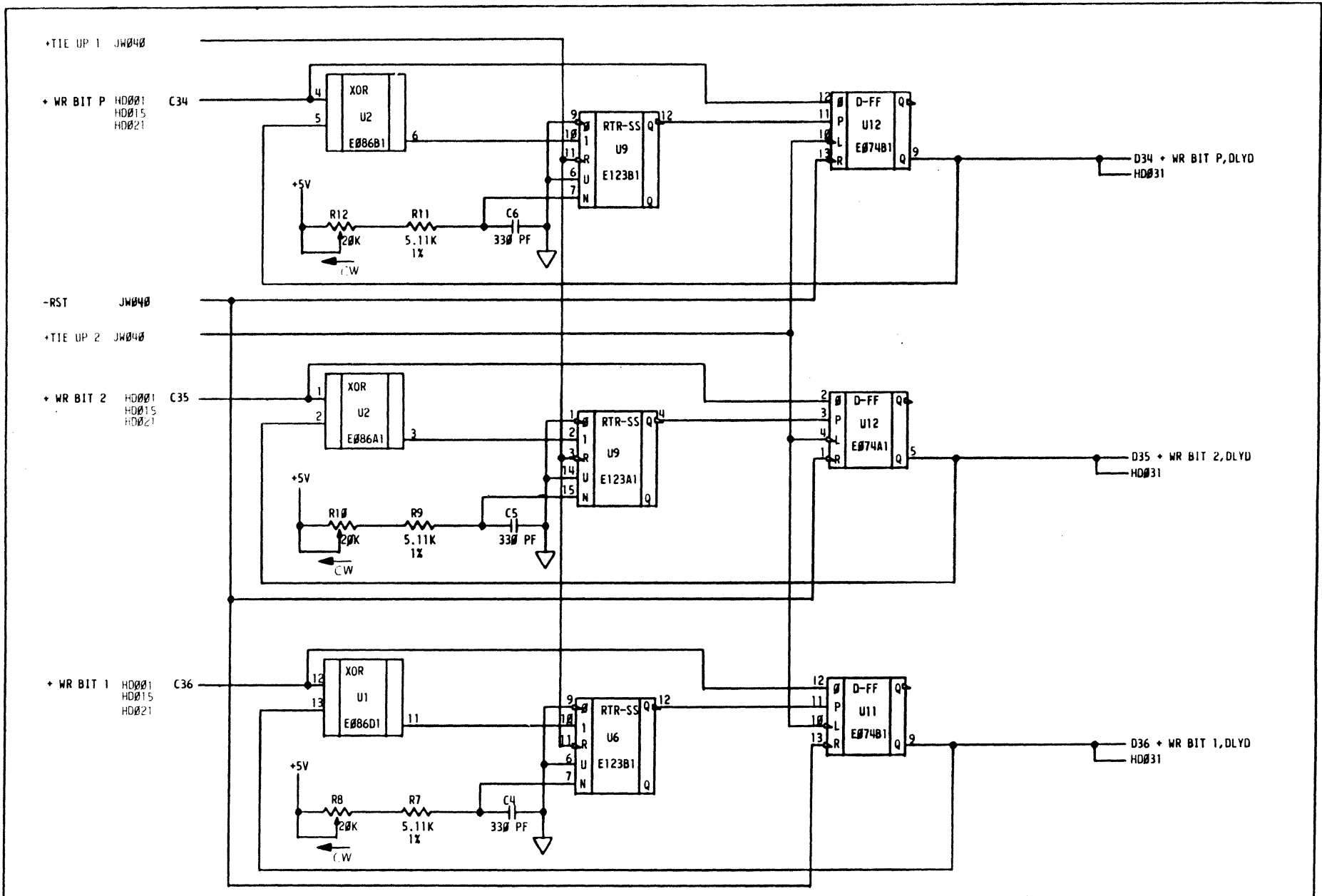


NOTES: UNLESS OTHERWISE SPECIFIED
 1. RESISTORS ARE 1/4W, 5% AND VALUES ARE IN OHMS.
 2. CAPACITORS ARE IN MICROFARADS.

NRZ1 DESKEW TRKS 5, 7, & 3		CD. LOC. H2 A2		CD. P.N. CD. TYPE JW2 PG. P.N. 4016713-02	
PRE. E.C. 44795	MACH. VERS. 1950	CD. LOC. H2 A2		CD. P.N. CD. TYPE JW2 PG. P.N. 4016713-02	
PREV. E.C. 44622	VERS. 7-12-82	CD. LOC. H2 A2		CD. P.N. CD. TYPE JW2 PG. P.N. 4016713-02	
DATE 7-12-82	GBL. ROT.	CD. LOC. H2 A2		CD. P.N. CD. TYPE JW2 PG. P.N. 4016713-02	

J
W
0
4
0

J
W
0
4
0



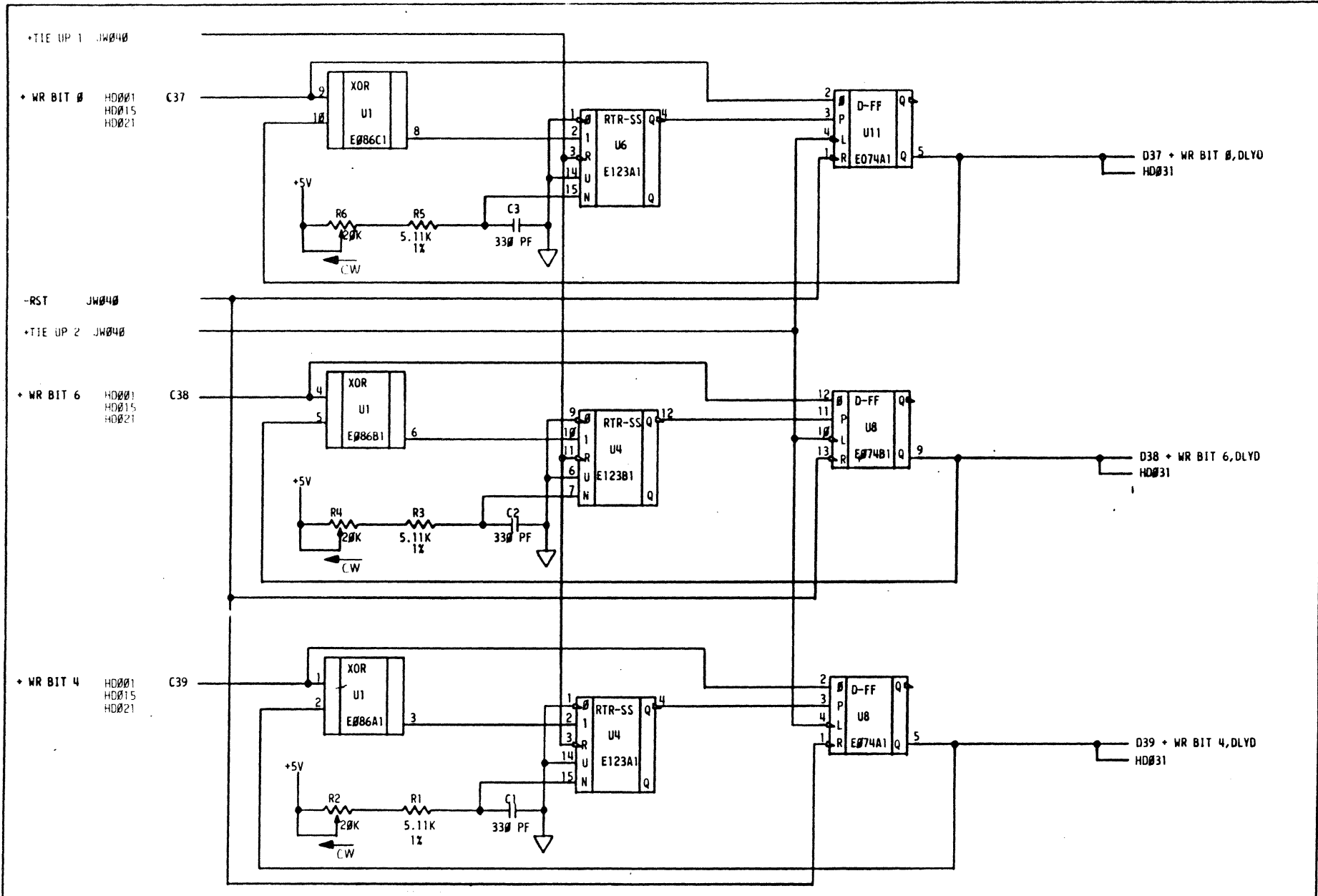
NOTES: UNLESS OTHERWISE SPECIFIED
 1. RESISTORS ARE 1/4W, 5% AND VALUES ARE IN OHMS.
 2. CAPACITORS ARE IN MICROFARADS.

NR21 DESKEW TRKS P, 2 & 1

PREL. E.C. 44795	MACH. 1950	CD. LOC. H2	CD. R.N. JW2
PREV. E.C. 44622	VERS. OBL. ROT.	GATE H2	CD. TYPE PG. PN.
DATE 7-12-82		FRAME	4016714-02

J
W
0
5
0

J
W
0
5
0



NOTES: UNLESS OTHERWISE SPECIFIED

1. RESISTORS ARE 1/4W, 5% AND VALUES ARE IN OHMS.
2. CAPACITORS ARE IN MICROFARADS.

NRZ1 DESKEW TRKS 0, 6 & 4

PREV. E.C. 04795
 PREV. E.C. 44622
 DATE 7-12-82

MACH. 195B
 VERS.
 SBL. ROT.

CD. LOC. H2
 SATE A2
 FRAME

CD. RN. JW2
 CD. TYPE
 PG. RN. 4016715-02



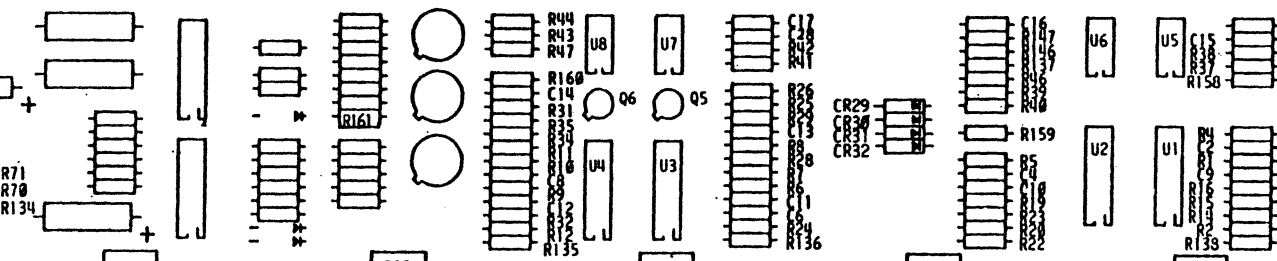
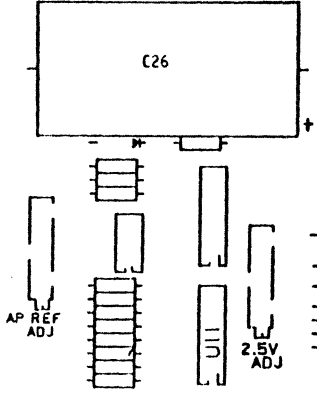
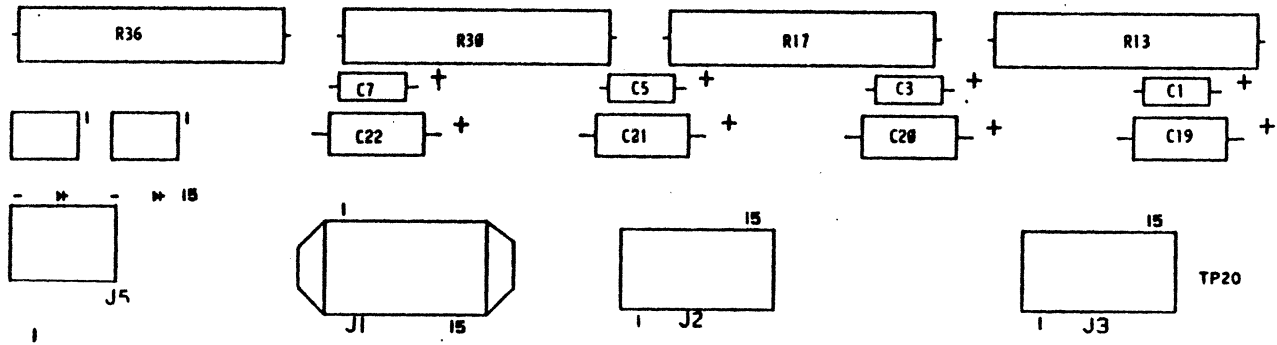
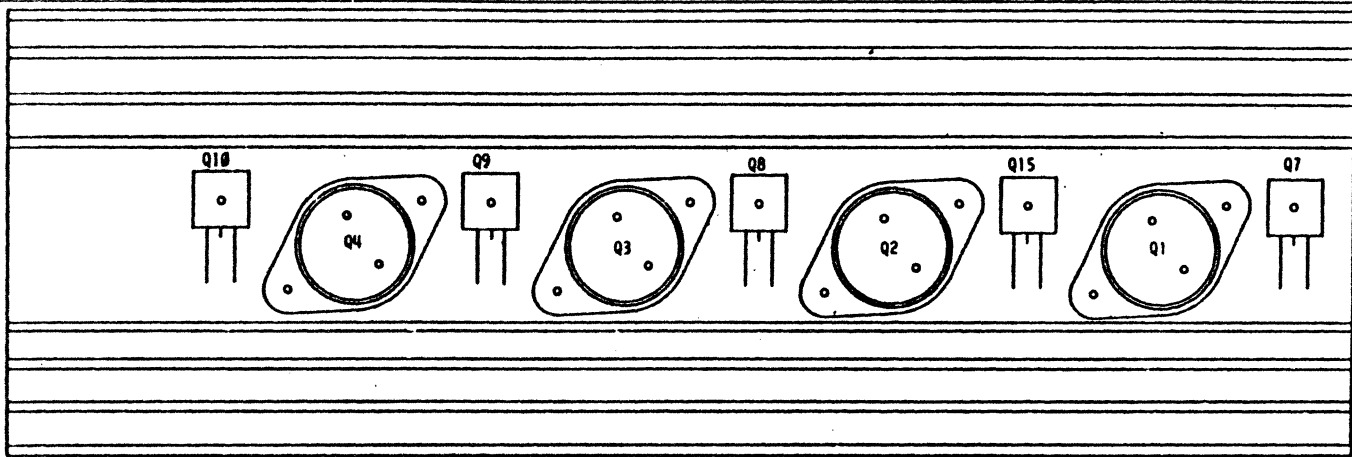
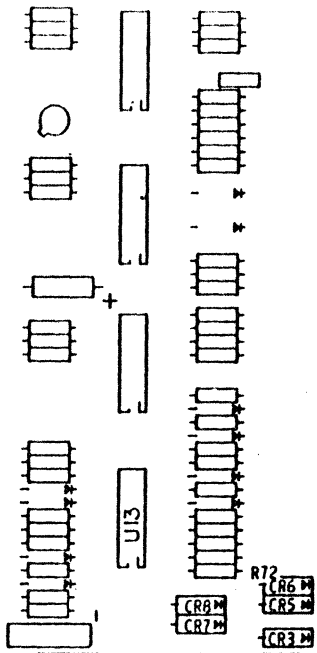
Storage Technology Corporation

TECHNOLOGY CORP.

ASSEMBLY PARTS LIST
BUILD ARC DOC

PRINT DATE	PAGE	E.C. NO.
07-10-84	1	55492

DIV	ASSEMBLY NUMBER	CD	REV.	DWG.	DESCRIPTION	MC	STATUS	STATUS DATE	FILE DATE				
0500	401259903	3	E	N	SYS LGC GP, HX, 401258203, PC	N	REL	06-04-84	1950 06-11-84				
LT	LI	PART NUMBER	CD	QUANTITY	U/M	PART DESCRIPTION	MC	YLD	E.C. NO IN	E.C. NO. OUT	S/N	WK IN	WK OUT
	000	01	401518503	8	REF	PC	CD LGC, AB001, HX, PC	D					
	010	01	401640003	0	REF	PC	SYS LGC, HX010, PC	D					
	020	01	401640103	8	REF	PC	SYS LOGC, HX020, PC	D					
	500	01	401258203	9	REF	PC	CKT CD, HX, PC ASSY	S					
							0004 TOTAL LINES						

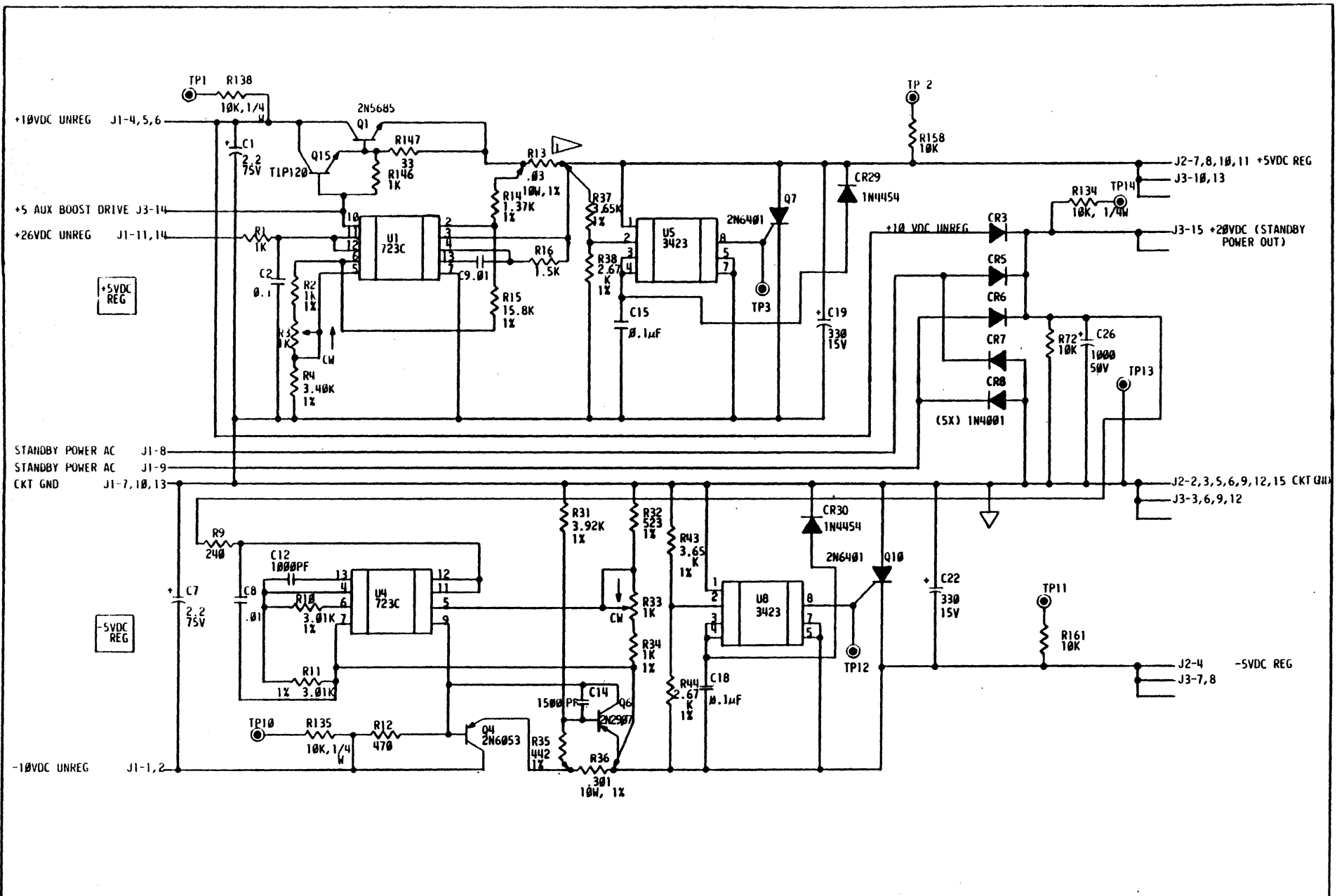


TP19 AP REF TP18 RL REF TP17 2.5V ADJ TP16 -45V TP15 .45V TP14 20V RL WOOD TP13 GND TP12 .5V OVP TP11 -5V ADJ TP10 -10V TP9 -15V OVP TP8 -15V ADJ TP7 -26V TP6 .15V OVP TP5 .15V ADJ TP4 26V TP3 .5V OVP TP2 .5V ADJ TP1

<input type="checkbox"/> ASSY DRAWING, HX, REG, P.S.			
PRJ. E.C. 55492 PREV. E.C. 54721 DATE 6-18-84	MACH. 45XX VERS. GBL. ROT.	CD. LOC. DC PS GATE FRAME	CD. P.N. CD. TYPE HX PG. P.N. 4015185-03

A B 0 0 1

A B 0 0 1



NOTES: UNLESS OTHERWISE SPECIFIED

1. INDICATES A 4-POINT MEASUREMENT, ALL PLACES.
2. TURN ALL POTS FULL CCW BEFORE POWER-UP AND VOLTAGE ADJUST.
3. ▽ DENOTES CIRCUIT GROUND
4. ALL CAPACITANCES IN MICROFARADS (μ) UNLESS OTHERWISE DENOTED.

5. ALL RESISTORS ARE 1/4W, 5% AND VALUES ARE IN OHMS.

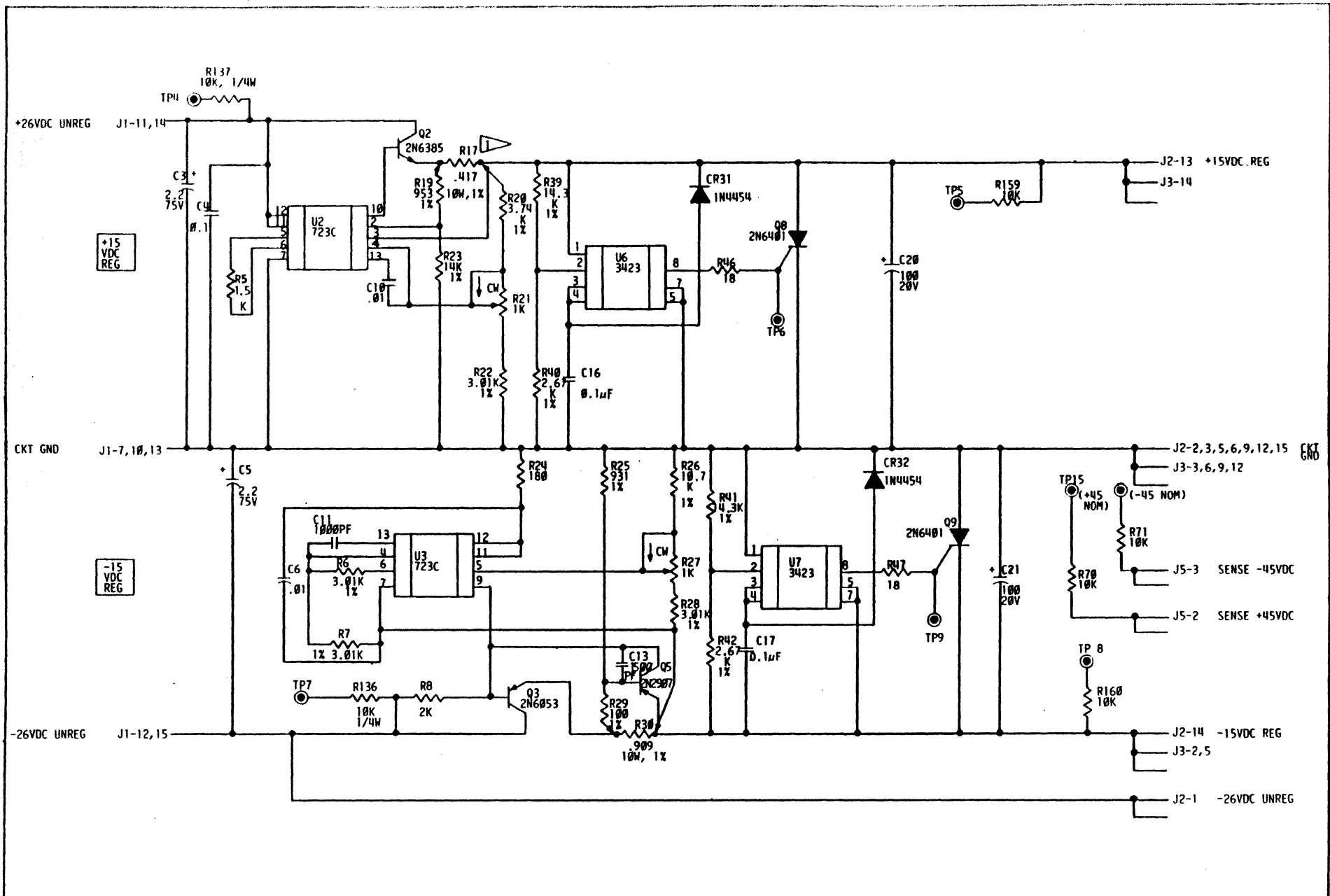
SCHEMATIC, HX CARD

PRES. E.C. 55492
 PREV. E.C. 44795
 DATE 6-18-84

MACH. 1958
 VERS.
 GBL. ROT.

CD. LOC.
 GATE
 FRAME

CD. RN.
 CD. TYPE 11X
 PG. RN. 4816400-03



- NOTES:
- INDICATES A 4-POINT MEASUREMENT, ALL PLACES.
 - TURN POTS FULL CCW BEFORE POWER-UP AND VOLTAGE ADJUST.
 - ALL CAPACITANCES IN MICROFARADS (μ) UNLESS OTHERWISE INDICATED.
 - ALL RESISTORS ARE 1/4W, 5% AND VALUES ARE IN OHMS.

SCHEMATIC, HX CARD

PREP. E.C. 55492
 PREV. E.C. 44795
 DATE 6-18-84

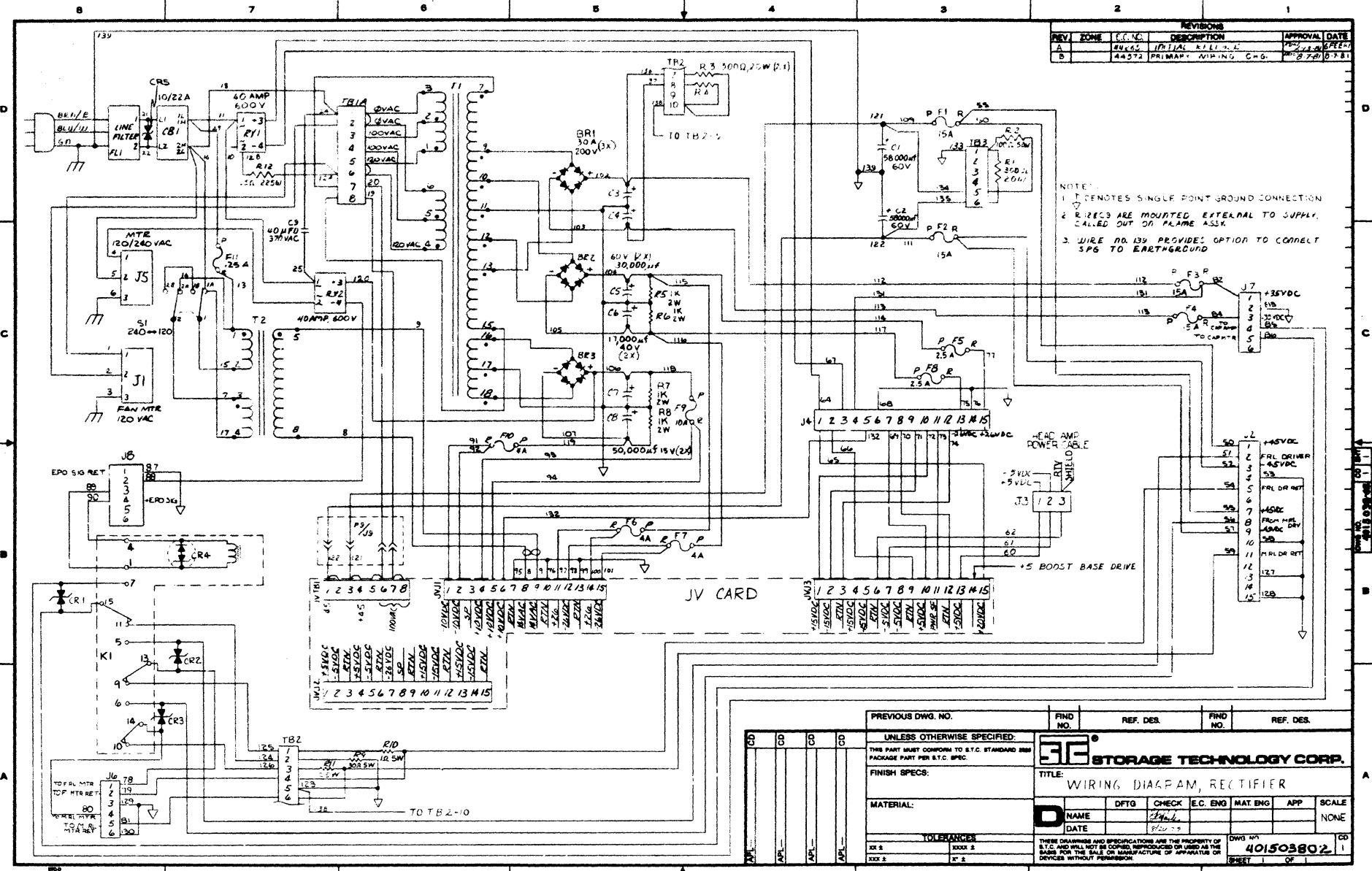
MACM. 1950
 VERS.
 GBL. ROT.

CD. LOC.
 GATE
 FRAME

CD. P.N.
 CD. TYPE HX
 PG. P.N. 4016401-03

REVISIONS					
REV.	ZONE	P.C. NO.	DESCRIPTION	APPROVAL	DATE
A		44362	INITIAL KILL & L		10/22/60
B		44372	PRIMARY WIRING C.H.G.		10/27/60

NOTES:
 1. T DENOTES SINGLE POINT GROUND CONNECTION
 2. R 12C3 ARE MOUNTED EXTERNAL TO SUPPLY, CALLED OUT ON PLATE ASSY.
 3. WIRE NO. 139 PROVIDES OPTION TO CONNECT SP6 TO EARTHGROUND



PREVIOUS DWG. NO.	FIND NO.	REF. DES.	FIND NO.	REF. DES.
UNLESS OTHERWISE SPECIFIED:				
THIS PART MUST CONFORM TO S.T.C. STANDARD BSB PACKAGE PART PER S.T.C. SPEC.				
FINISH SPECS:				
MATERIAL:				
TOLERANCES:				
XX ±	XXXX ±			
XXX ±	XX ±			
TITLE: WIRING DIAGRAM, RECTIFIER			DFTG	CHECK
DATE:			E.C. ENG.	MAT. ENG.
NAME:			APP.	SCALE
DATE:				NONE
THESE DRAWINGS AND SPECIFICATIONS ARE THE PROPERTY OF S.T.C. AND WILL NOT BE COPIED, REPRODUCED OR USED AS THE BASIS FOR THE SALE OR MANUFACTURE OF APPARATUS OR DEVICES WITHOUT PERMISSION.			DWG. NO.	1
			401503802	
			SHEET	OF

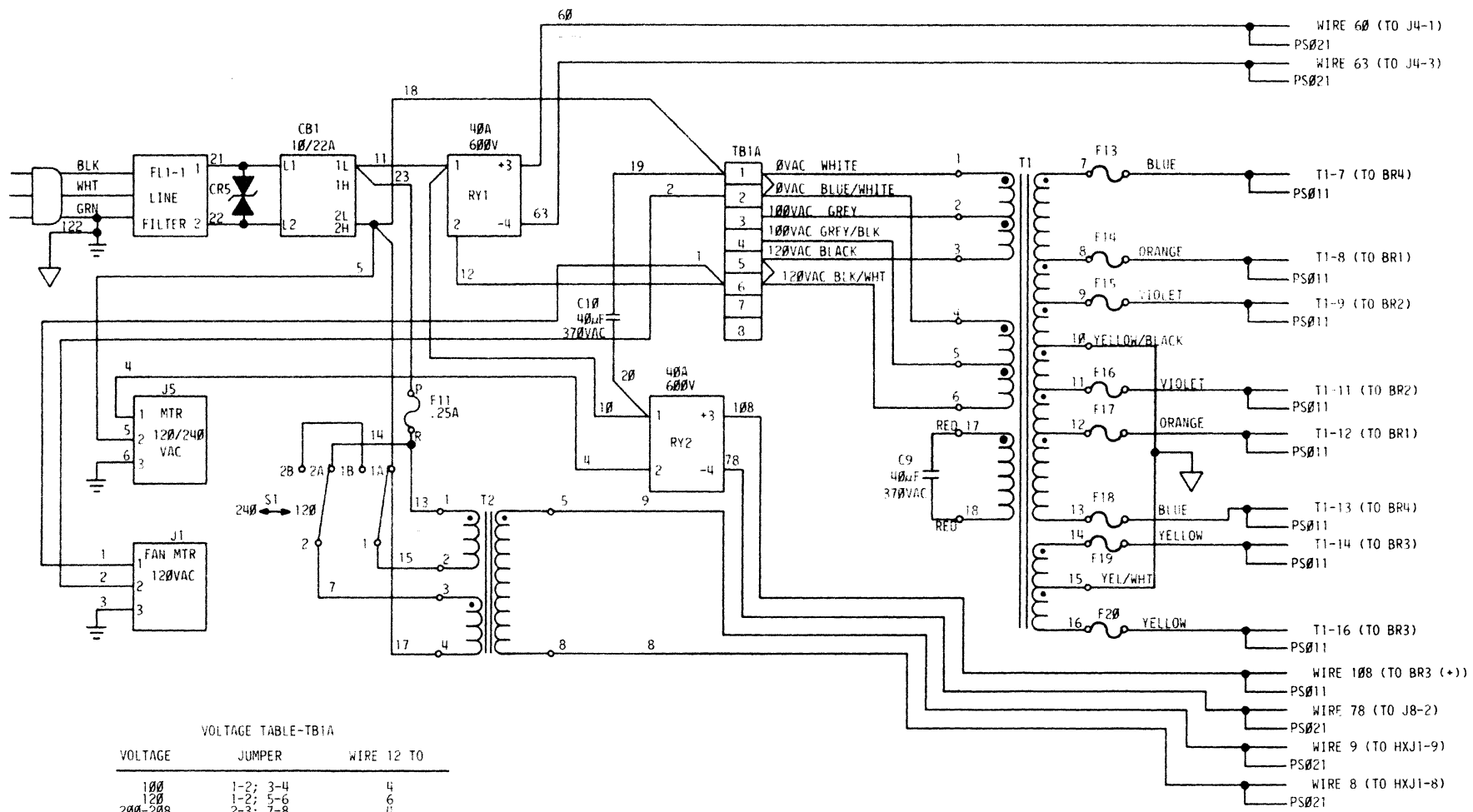
ST. ELECTRONICS TECHNOLOGY CORP.

ASSEMBLY PARTS LIST

BUILD ARC DOC

PRINT DATE	PAGE	FILE NO
08-18-82	1	05

DIV.		ASSEMBLY NUMBER		CD	REV.	DWG.	DESCRIPTION			MC	STATUS	STATUS DATE		FILE DATE		
0500		402358901		7	A	N	SYS LGC GP, PS, 401508103			D	REF	08-11-82		1950 08-17-82		
T	FIND NO	LI	PART NUMBER	CD	M	QUANTITY	U/M	PART DESCRIPTION		MC	YLD	E.C. NO. IN	E.C. NO. OUT	S/N	WK IN	WK OUT
	001	01	402358901	5		REF	PC	SYS LGC, PS001		D						
	011	01	402359001	3		REF	PC	SYS LGC, PS011		D						
	021	01	402359101	1		REF	PC	SYS LGC, PS021		D						
	500	01	401508103	9		REF	PC	RECTIFIER ASSY, 60HZ CVT		S						
							0004 TOTAL LINES									

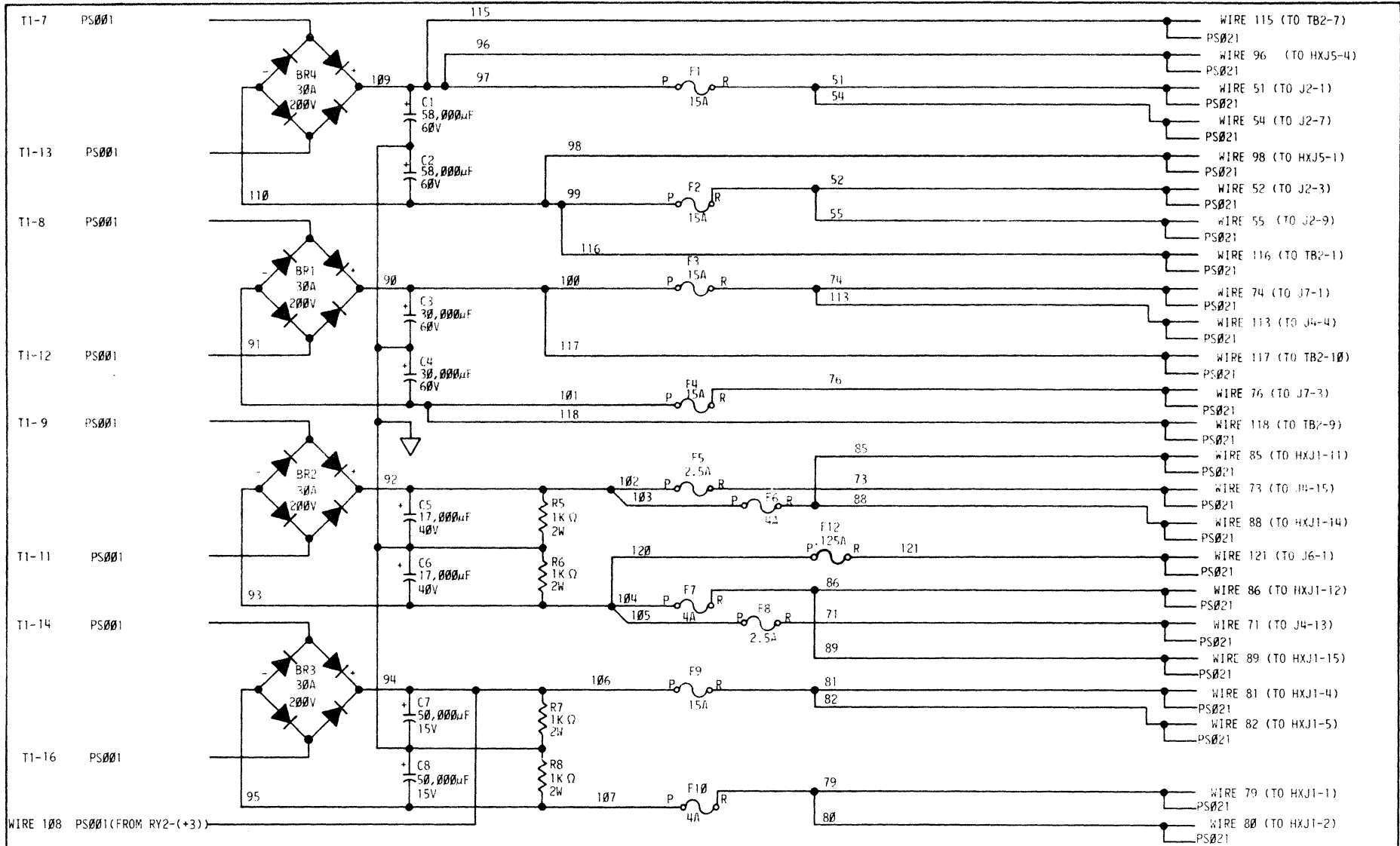


VOLTAGE TABLE-TB1A

VOLTAGE	JUMPER	WIRE 12 TO
100	1-2; 3-4	4
120	1-2; 5-6	6
200-208	2-3; 7-8	4
220-240	2-5; 7-8	6

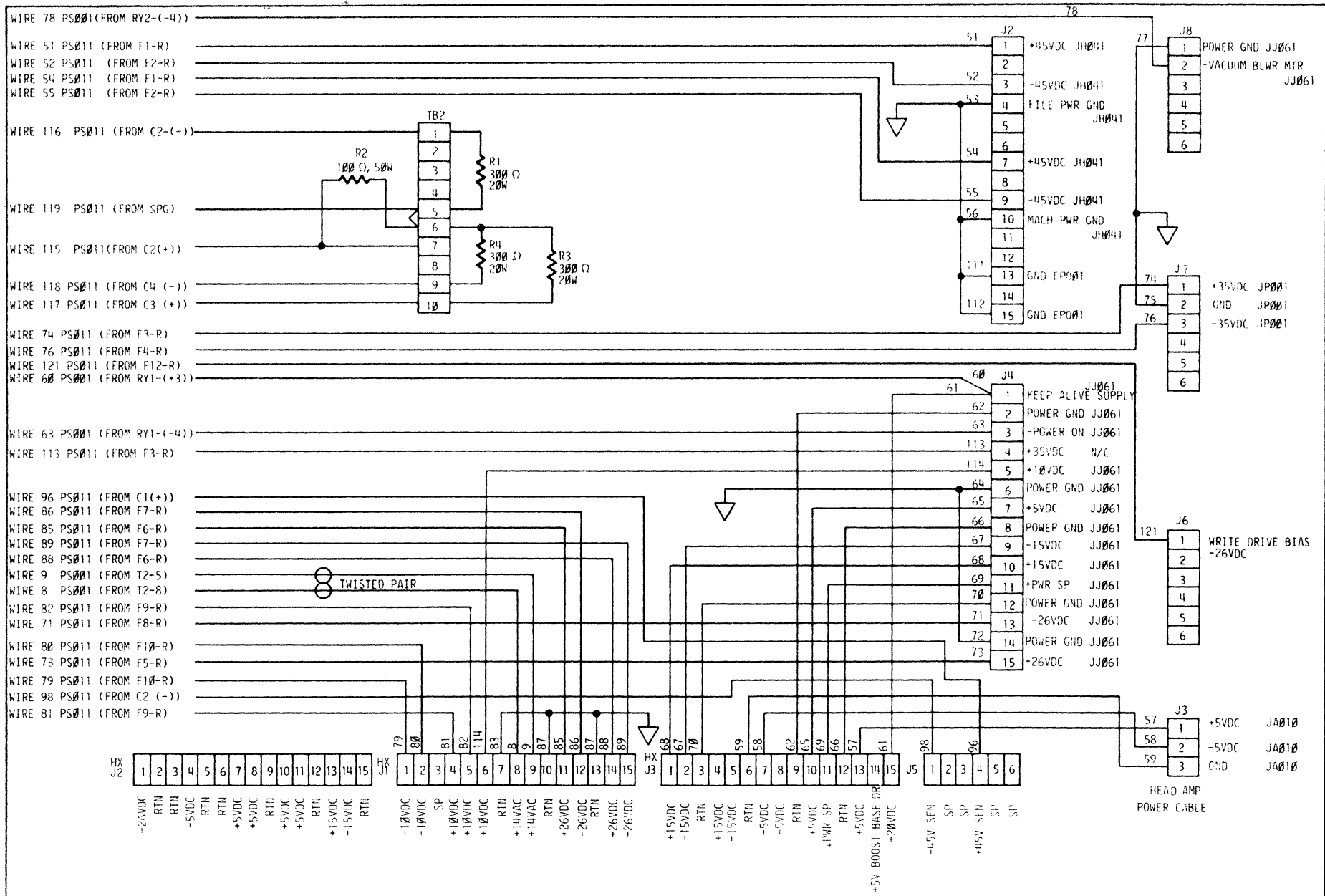
NOTES: UNLESS OTHERWISE SPECIFIED
 1. DENOTES SINGLE POINT GROUND
 2. DENOTES SAFETY GROUND

WIRING DIAGRAM, RECIFIER, 60HZ		POWER SUPPLY	
PRES. E.C. 44885 PREV. E.C. NONE DATE 2-13-54	MACH. VERS. 1950 GBL. ROT.	CD. LOC. FRAME	CD. P.N. PS CD. TYPE PG. P.N. 4023589-01



WIRING DIAGRAM, RECTIFIER, 600V

PRES. E.C. 44805	MACH. 1950	CD. LOC. POWER SUPPLY	CD. PN.
PREV. E.C. NONE	VER. GBL. ROT.	GATE FRAME	CD. TYPE PS
DATE			PG. PN. 4023590-01



PS 01	WIRING DIAGRAM, RECTIFIER, 60HZ			PS 01	
	DES. E.C. 44805	MACH. VERS. 1950	CD. LOC. POWER SUPPLY		CD. PN. PS
	PREV. E.C. NONE	GBL. ROT.	GATE FRAME		CD. TYPE PG. PN.
	DATE 5 1 58				4023591-01

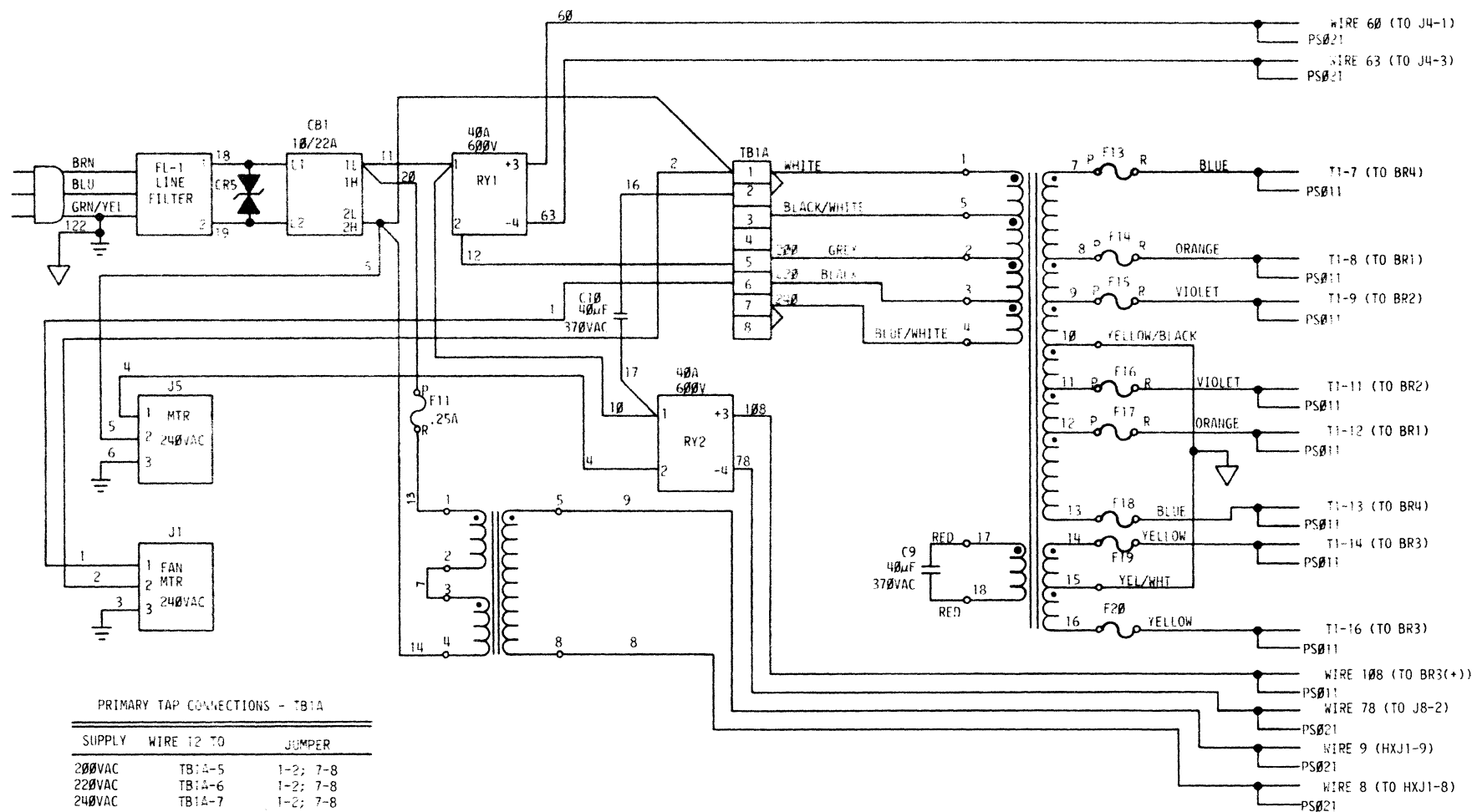
ST-TECHNOLOGY CORP.

ASSEMBLY PARTS LIST

BUILD ARC DD.

PRINT DATE	PAGE	E.C. NO.
08-19-82	1	305

DIV	ASSEMBLY NUMBER	CD	REV.	DWG.	DESCRIPTION	MC	STATUS	STATUS DATE	FILE DATE						
0500	402358401	6	A	N	SYS LGC GP,PS,401508003	D	REL	08-11-82	1950 08-17-82						
T	FIND NO	LI	PART NUMBER	CD	M	QUANTITY	U/M	PART DESCRIPTION	MC	YLD	E.C. NO IN	E.C. NO OUT	S/N	WK IN	WK OUT
	001	01	402358501	3		REF	PC	SYS LGC,PS001	D						
	011	01	402358601	1		REF	PC	SYS LGC,PS011	D						
	021	01	402358701	9		REF	PC	SYS LGC,PS021	D						
	500	01	401508003	1		REF	PC	RECTIFIER ASSY,50HZ CVT	S						
								0004 TOTAL LINES							



NOTES: UNLESS OTHERWISE SPECIFIED
1. ▽ DENOTES SINGLE POINT GROUND.
2. ≡ DENOTES SAFETY GROUND.

WIRING DIAGRAM, RECTIFIER, 50Hz

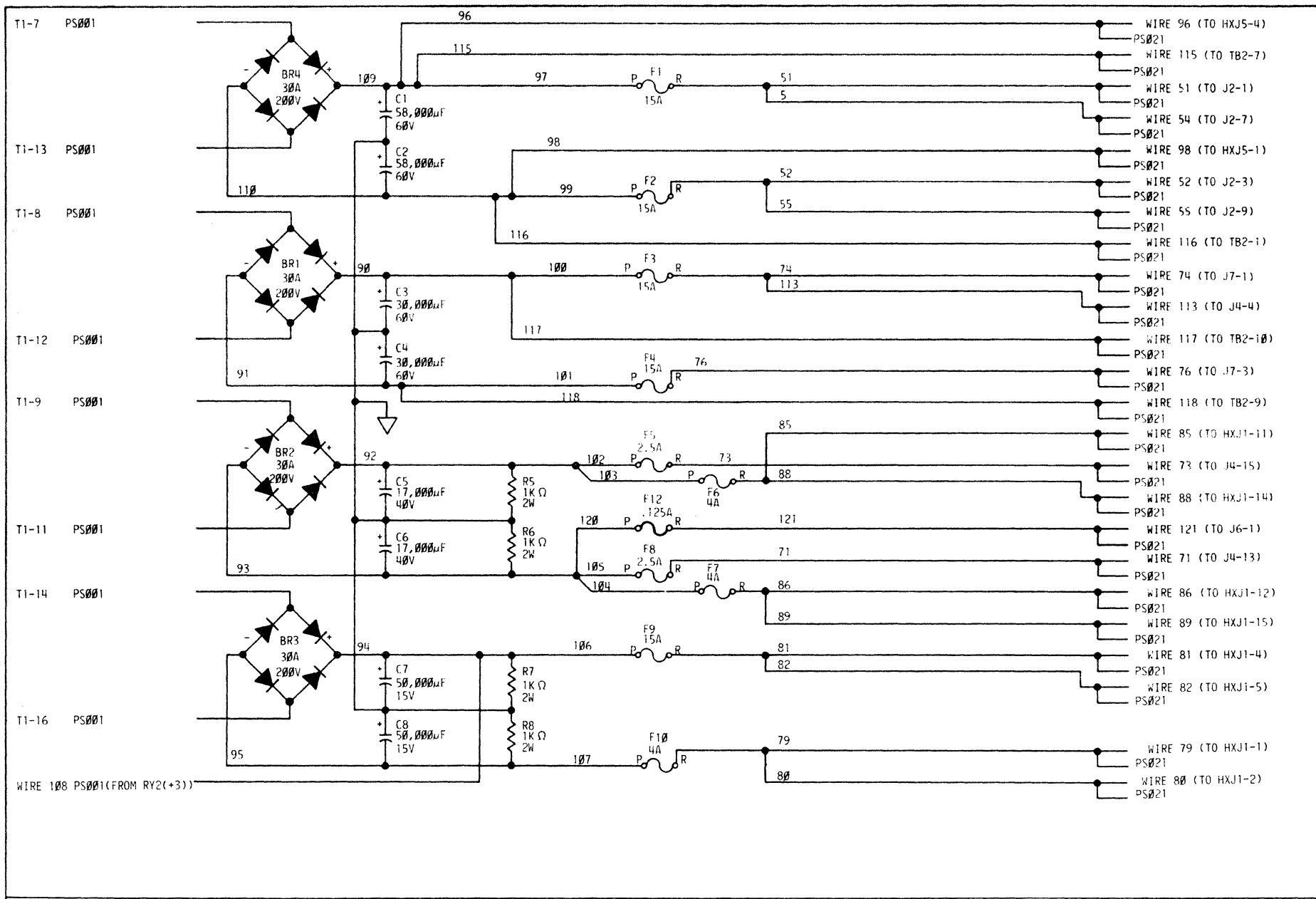
PRES. E.C. 44805
PREV. E.C. NONE
DATE

MACH. 1950
VERS.
GBL. ROT.

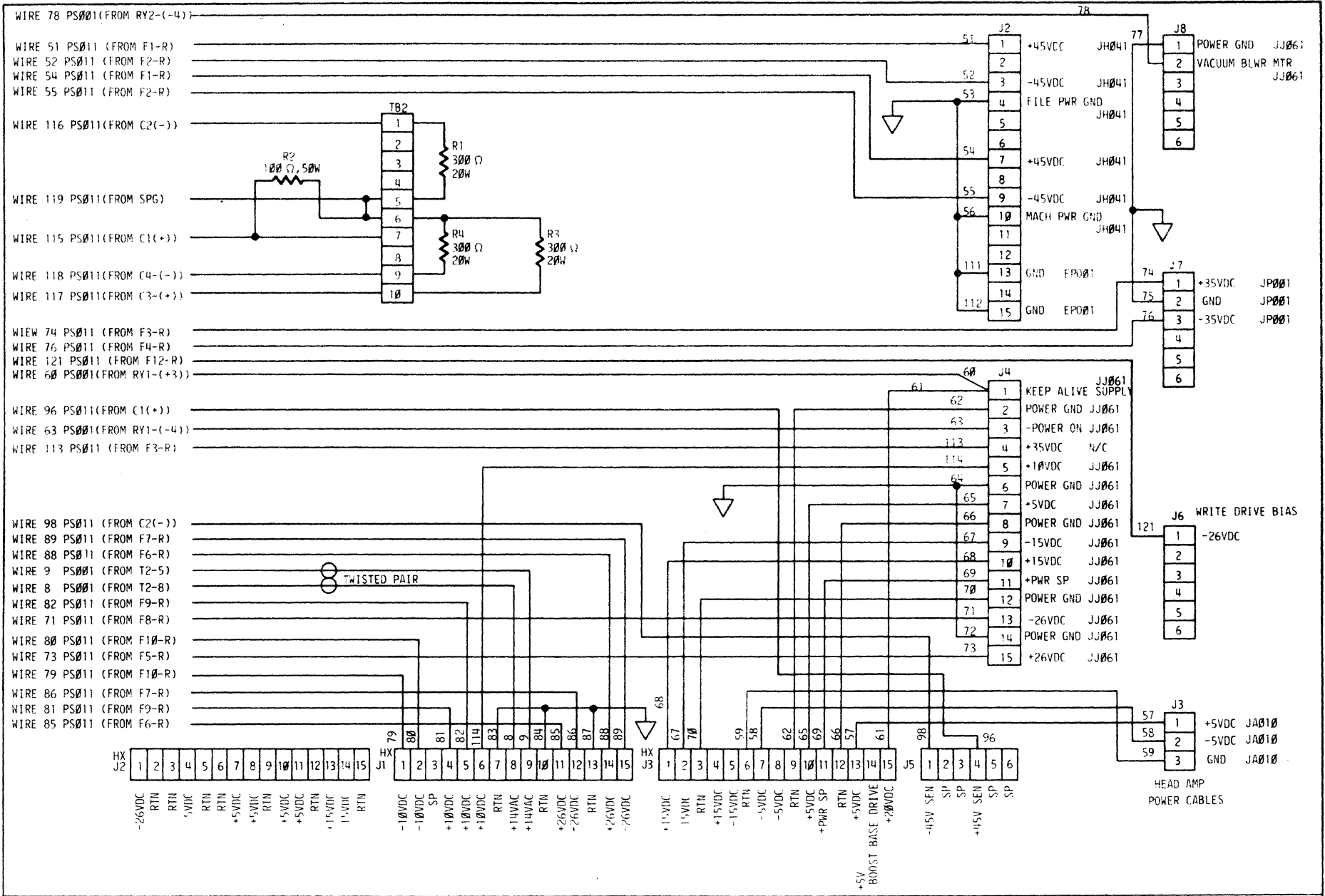
CD. LOC. POWER S. P.P.V.
GATE FRAME

CD. P.N. PS
CD. TYPE PS
PG. P.N. 4023585-01

PS
0
0
1



PS 021	WIRING DIAGRAM, RECTIFIER, 50HZ				PS 021
	PREV. E.C.	44805	MACH.	1950	
	DATE	NOV 2 1950	VER.		
			GBL. ROT.		
		CD. LOC.	POWER SUPPLY	CD. PN.	
		FRAME		CD. TYPE	PS
				PG. PN.	4023586-01



PREP. E. C. 44805 PREV. E. C. NONE DATE 9-15-71	MACH. VERS. 1950 GBL. ROT.	CD. LOC. POWER SUPPLY FRAME	CD. P.N. PS CD. TYPE 4023587-01 PG. P.N.

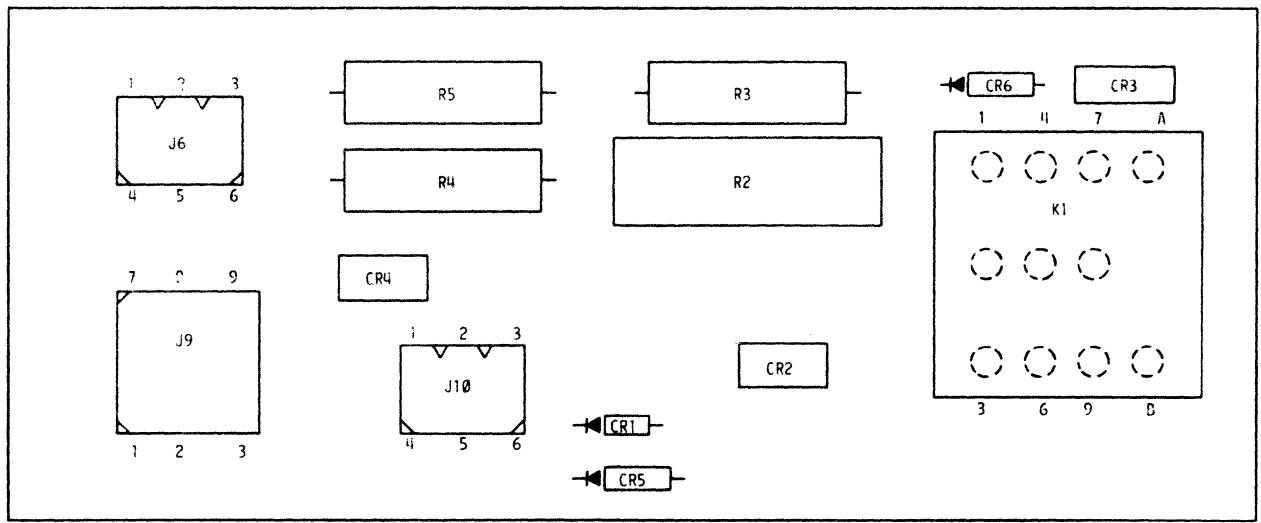
ST TECHNOLOGY CORP.

ASSEMBLY PARTS LIST

NOTED ARC

PRINT DATE	PAGE	E.C. NO.
11-22-82	1	44554

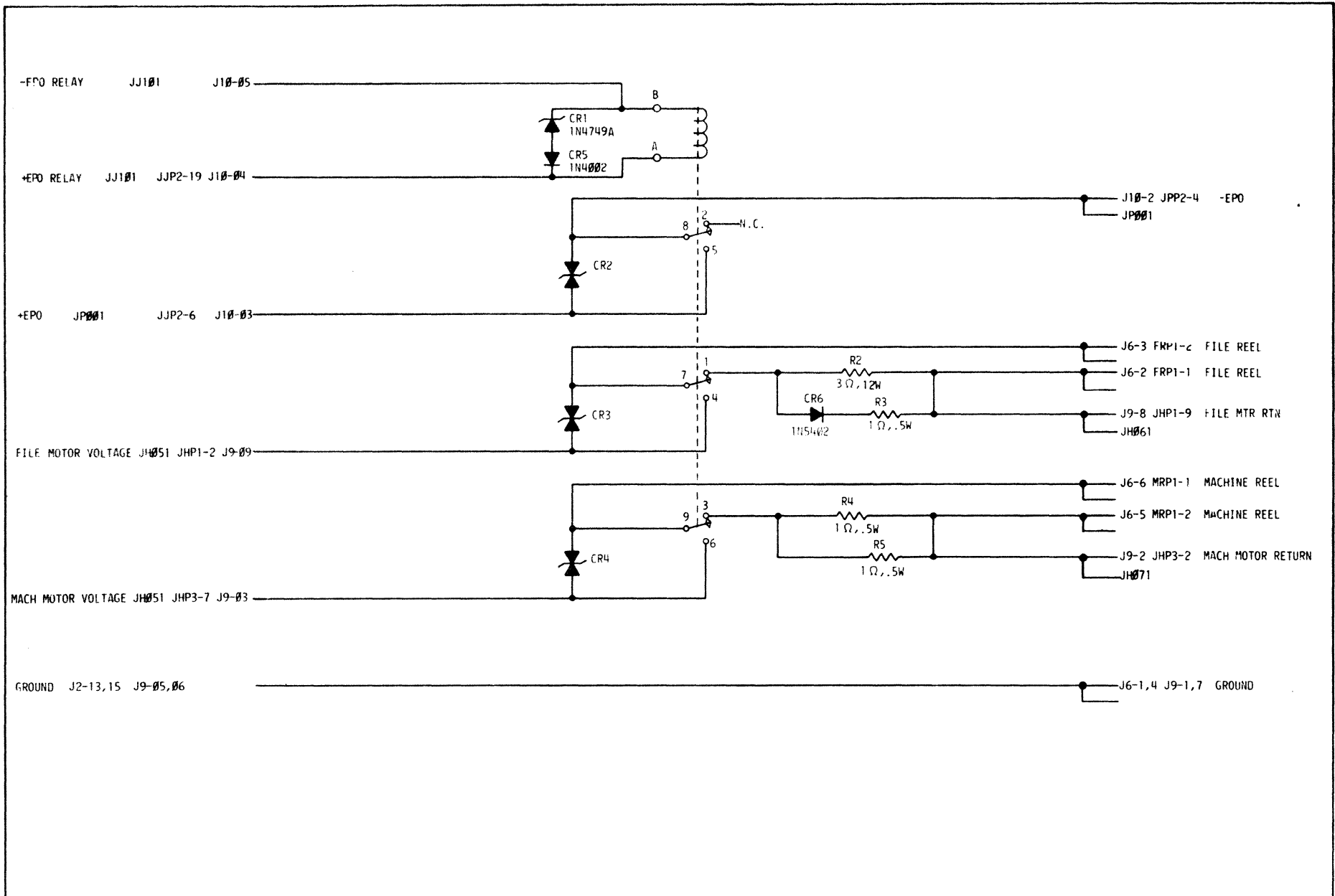
DIV.	ASSEMBLY NUMBER	CD	REV.	DWG.	DESCRIPTION	MC	STATUS	STATUS DATE	FILE DATE						
0500	401281302	0	E	N	SYS LGC GP, EPD, MULTI PN, PC	N	PEL	11-11-82	1950 11-17-82						
T	FIND NO	LI	PART NUMBER	CD	M	QUANTITY	U/M	PART DESCRIPTION	MC	YLD	E.C. NO. IN	E.C. NO. OUT	S/N	WK IN	WK OUT
	000	01	401517003	0		REF		PC CD, LGC, A8001, EPD, P.C.		D					
	001	01	401281404	4		REF		PC SYS LGC, EP001, PC		D					
	500	01	401270202	5		REF		PC CKT CD, EPD, PC ASSY		S					
	501	01	401270302	3		REF		PC CKT CD, EPD, PC ASSY		S					
								0004 TOTAL LINES							



A
B
0
0
1

GAF Polytrace 033

EPO, PC		MACH. 1950		CD. LOC. GATE FRAME		CD. P.N. 401270-202/302		A B 0 0 1
PRES. E.C. 44854		VERS. 1950		CD. TYPE EPO		PG. PN. 4015170-03-0		
PREV. E.C. 44657		GBL. ROT.		DATE 11-17-82				

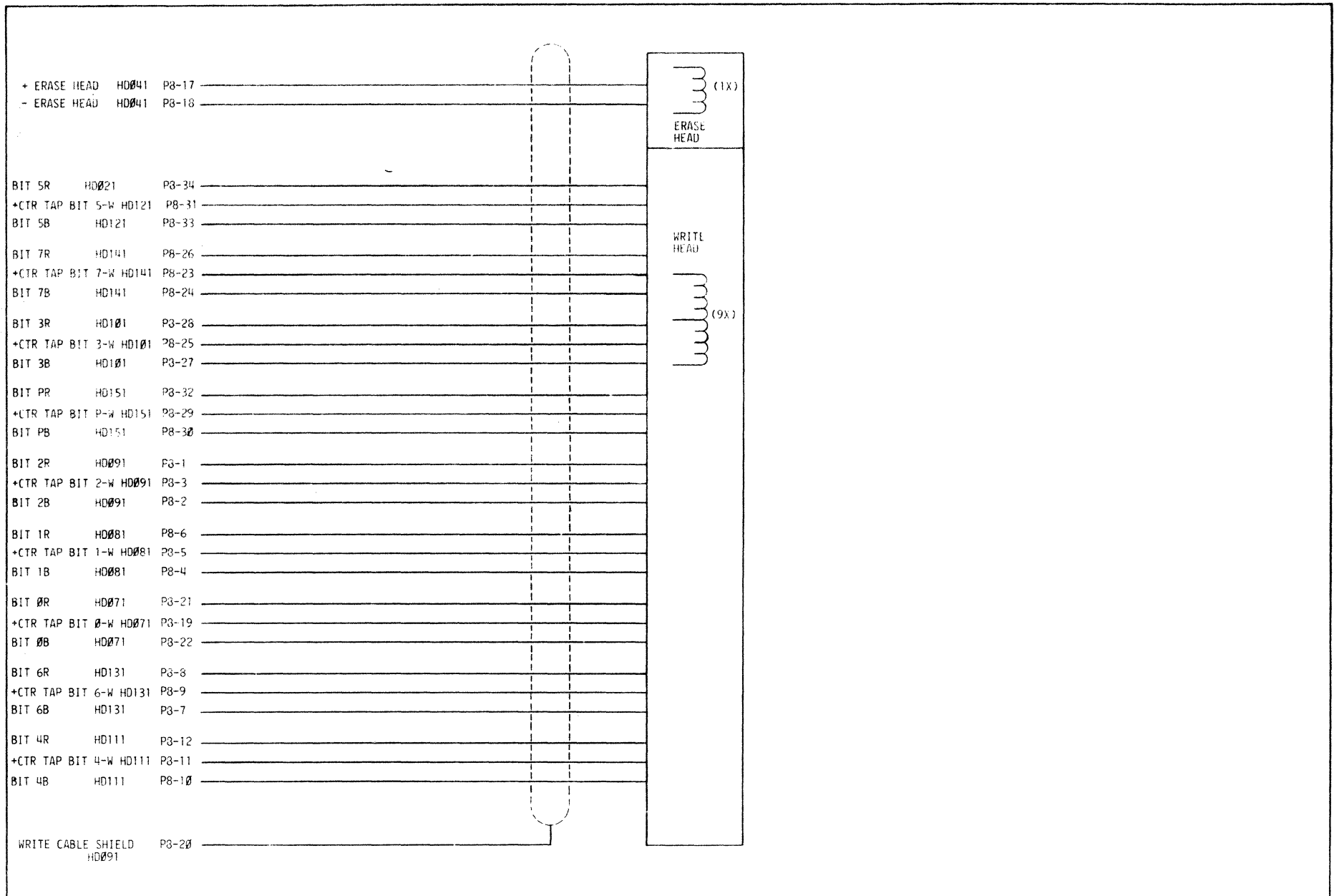


E 3 0 0 1	EPO RELAY				J 0 0 3 1
	PREV. E.C.	44854	MACH. VERS.	CD. LOC.	
	PREV. E.C.	44810	GBL. ROT.	GATE FRAME	
	DATE	11-17-82		PG. PN.	
				EPO	4012814-04

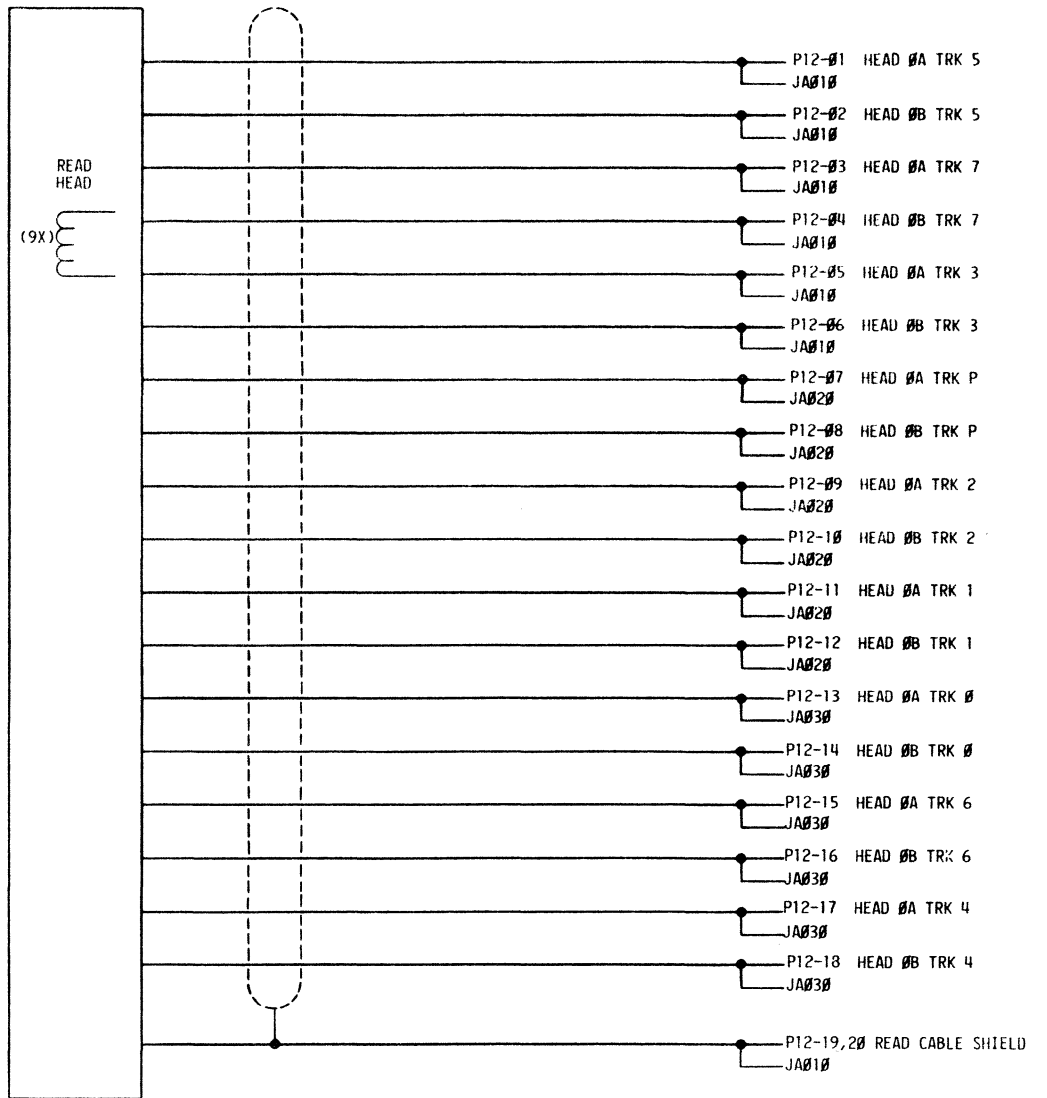
ASSEMBLY PARTS LIST

PRINT DATE	PAGE	E.C. NO.
10-20-82	1	195

DIV	ASSEMBLY NUMBER	CD	REV.	DWG.	DESCRIPTION	MC	STATUS	STATUS DATE	FILE DATE					
0500	43500036	9	D	N	SYS LGC GP,R/W HD,43030500	N	REL	06-30-82	1950 07-08-82					
T FIND NO	LI	PART NUMBER	CD	M	QUANTITY	U/M	PART DESCRIPTION	MC	YLD	E.C. NO. IN	E.C. NO. OUT	S/N	WK IN	WK OUT
001	01	43516000	7		REF		PC SYS LGC, RW 001	D			44598			8144
001	02	401640201	0		REF		PC SYS LGC,RW001,WRITE HEAD	D		44598	44717		8144	8218
001	03	401640202	8		REF		PC SYS LGC,RW001,WRITE HEAD	D		44717	44795		8218	8231
001	04	401640203	6		REF		PC SYS LGC,RW001,PC	D		44795			8231	
011	01	401639801	0		REF		PC SYS LGC,RW011,READ HEAD	D		44598			8144	
0005 TOTAL LINES														



R W 0 1	ERASE AND WRITE HEADS			R W 0 1
	PRES. E.C. 44795	MACH. 1950	CD. LOC. CASTING, FRONT	
	PREV. E.C. 44717	VERS.	GATE	
	DATE 7-12-82	GBL. ROT.	FRAME	
		CD. P.N. R/W HEAD	CD. P.N. 4016402-03	



R
W
0
1
1

READ HEAD				R W 0 1 1	
PRES. E.C.	44598	MACH. VERS.	1950	CD. P.N.	R/W HEAD
PREV. E.C.	NONE	GBL. ROT.		CD. TYPE	
DATE	10-15-81			PG. P.N.	4016398-01